



US00D461342S

(12) **United States Design Patent**
Spitler

(10) **Patent No.:** **US D461,342 S**

(45) **Date of Patent:** **** Aug. 13, 2002**

(54) **TABLE**

D450,941 S * 11/2001 Spitler D6/349

(76) Inventor: **Michael L. Spitler**, 292 Oak Ridge Dr.,
Lake Ozark, MO (US) 65049

* cited by examiner

(**) Term: **14 Years**

Primary Examiner—Janice E. Seeger

(74) *Attorney, Agent, or Firm*—Senniger, Powers, Leavitt
& Roedel

(21) Appl. No.: **29/142,214**

(57) **CLAIM**

(22) Filed: **May 21, 2001**

The ornamental design for a table, as shown and described.

(51) **LOC (7) Cl.** **06-03**

DESCRIPTION

(52) **U.S. Cl.** **D6/488; D6/451**

(58) **Field of Search** D6/480-489, 495-499,
D6/511, 349, 450, 451; 108/150, 153.1,
155, 156, 157.1, 161; 248/188, 188.1

FIG. 1 is a front elevational view of a table, showing my new design, the rear being identical thereto;

FIG. 2 is a right side elevational view, the left side being identical thereto;

FIG. 3 is a bottom plan view;

FIG. 4 is a perspective view;

FIG. 5 is a top plan view;

FIG. 6 is a exploded perspective view; and,

FIG. 7 is a top plan view with the lid removed for clarity of illustration.

(56) **References Cited**

U.S. PATENT DOCUMENTS

2,709,318 A	*	5/1955	Benjamin	446/124
D237,929 S	*	12/1975	Laylon	D6/488
D405,631 S	*	2/1999	Burdick et al.	D6/487
D412,254 S	*	7/1999	Gower	D6/480
D426,088 S	*	6/2000	Hodge	D6/488

1 Claim, 7 Drawing Sheets

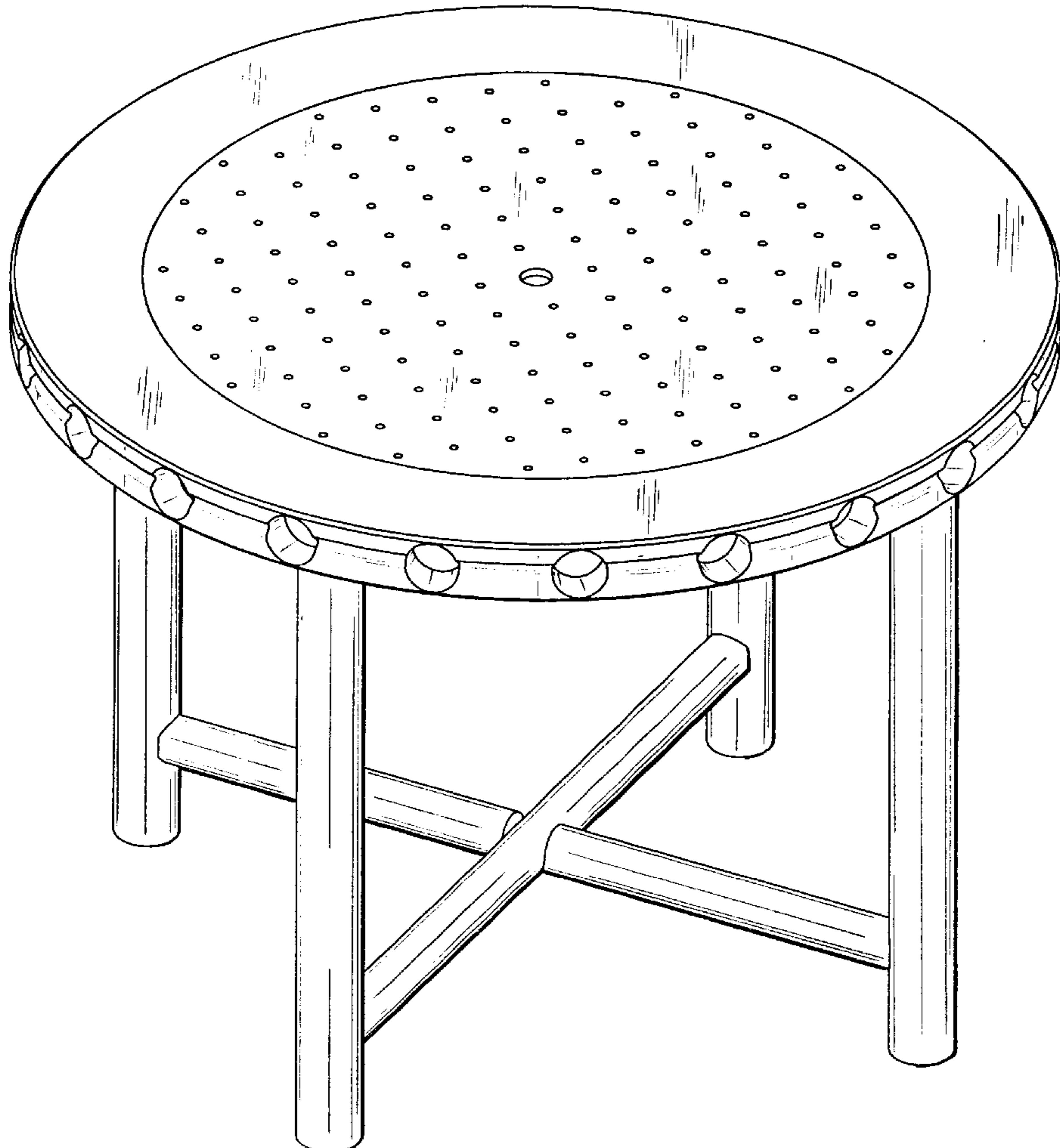


FIG. 1

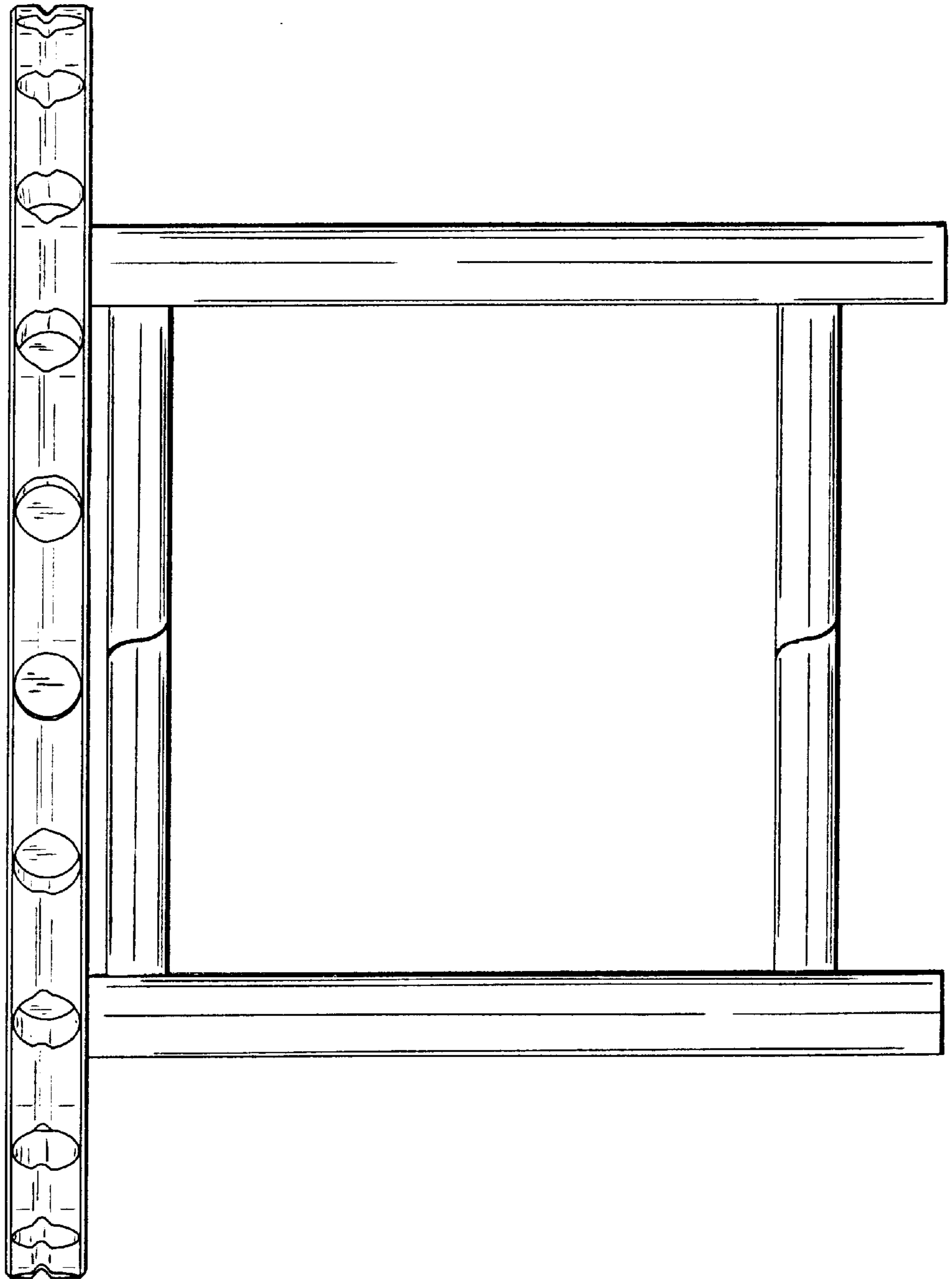


FIG. 2

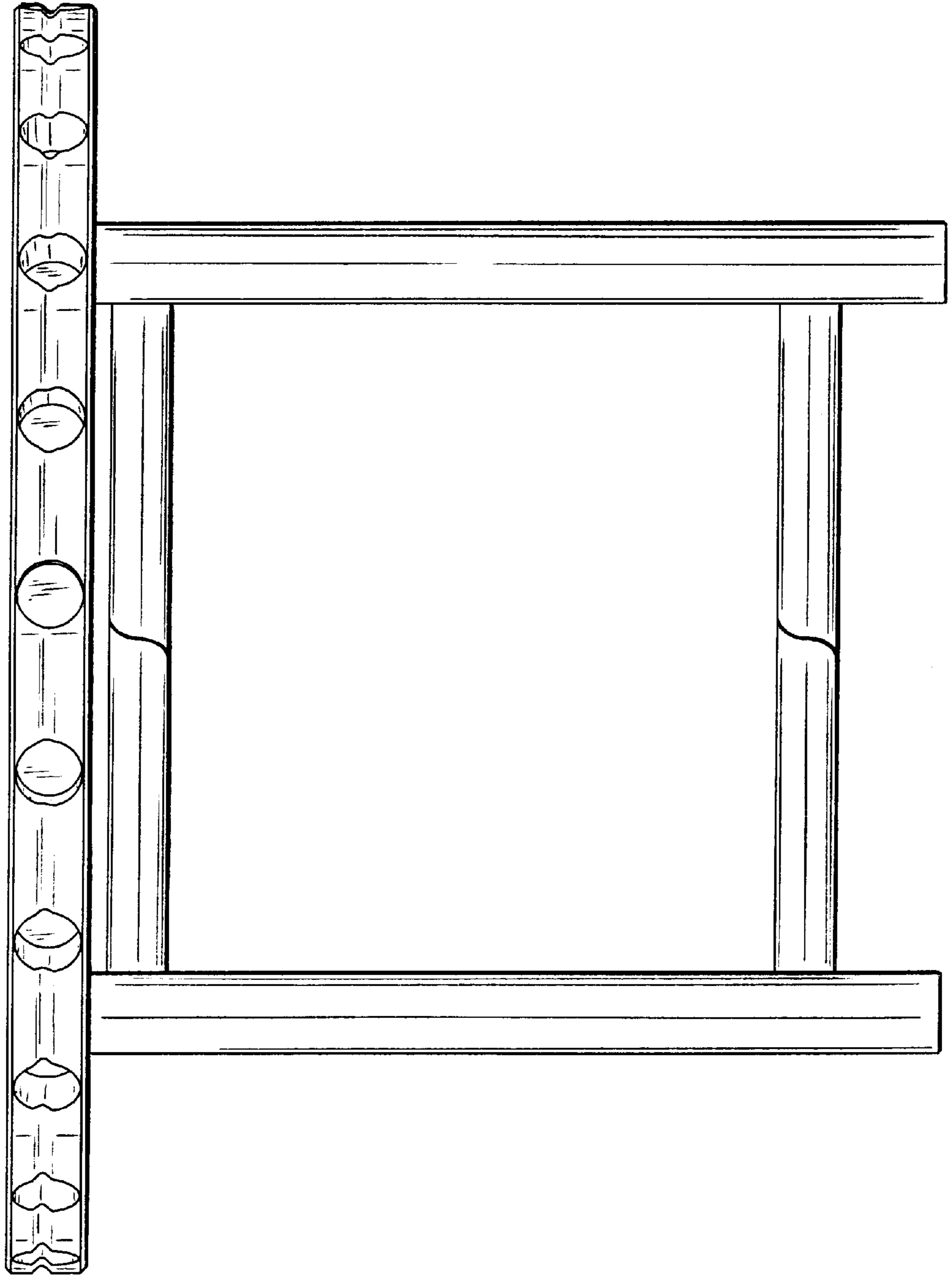
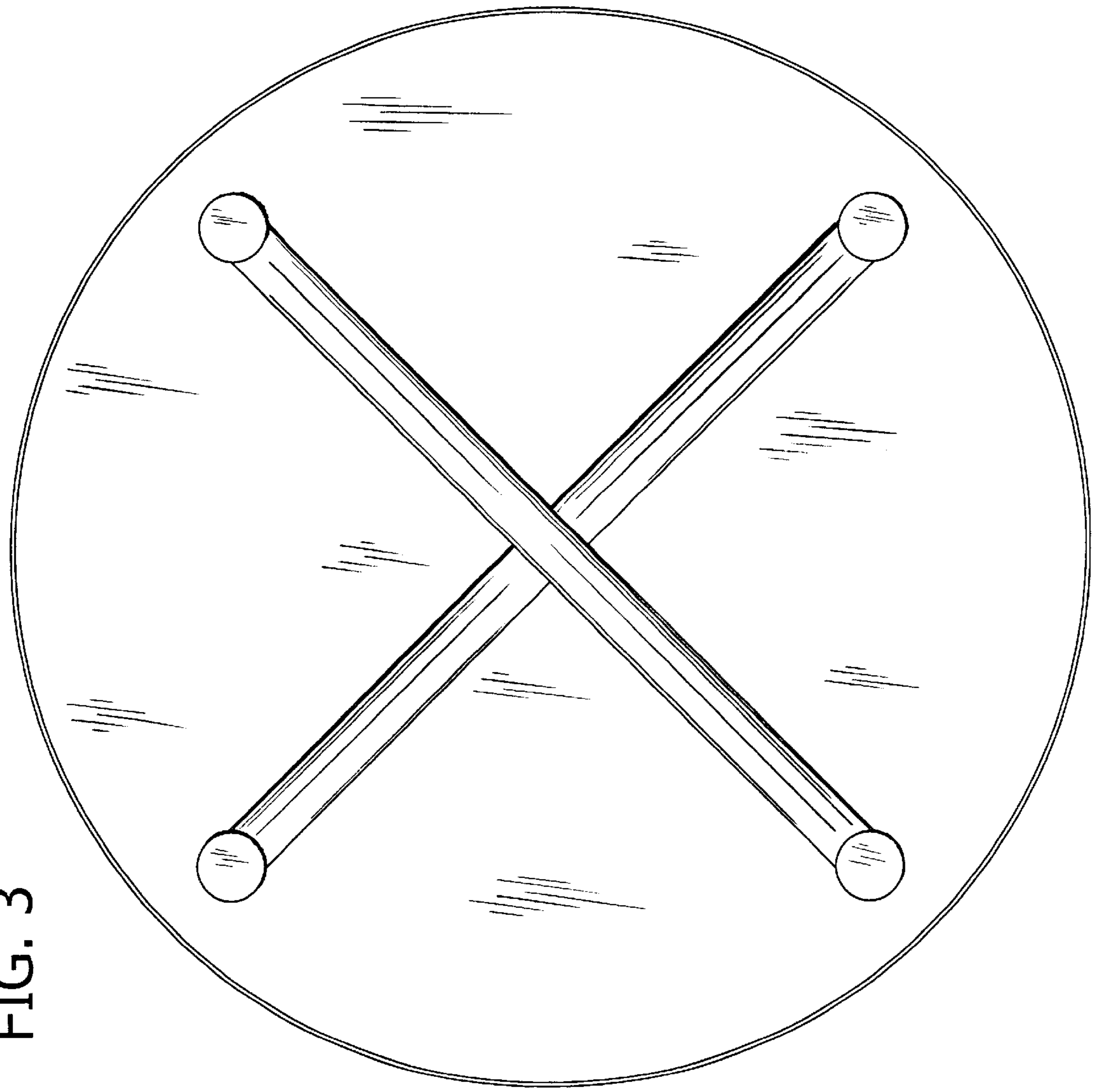


FIG. 3



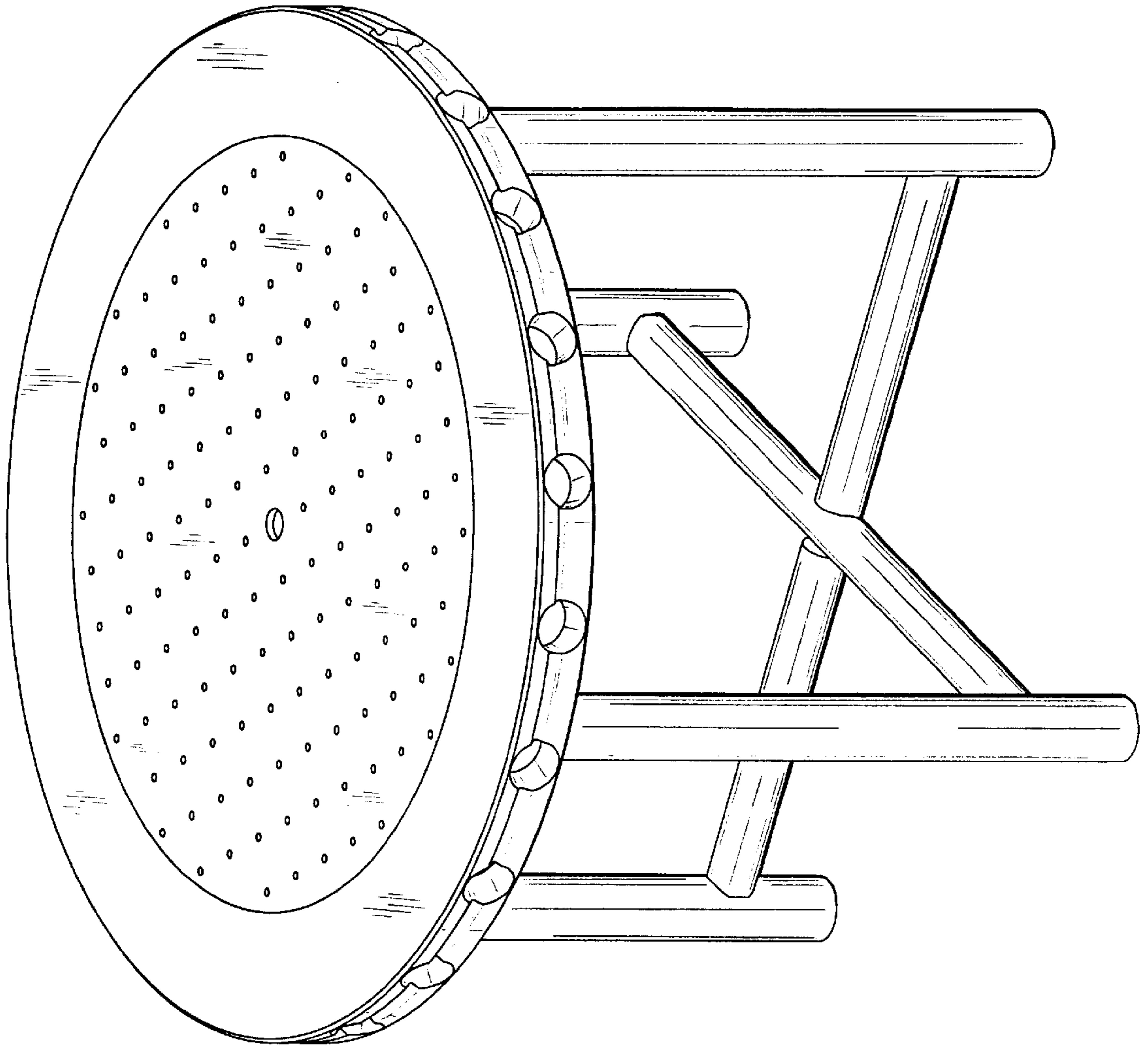


FIG. 4

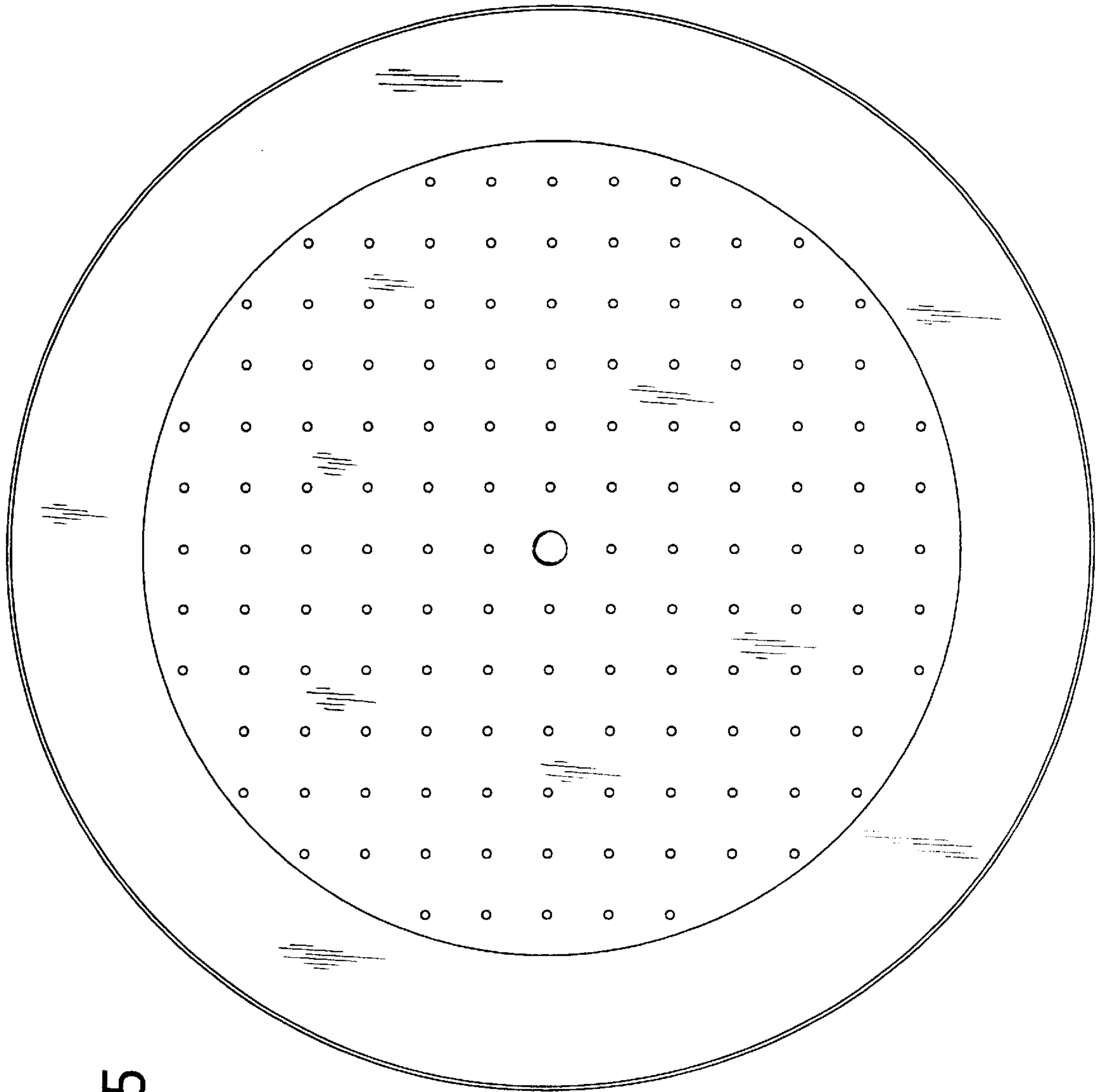
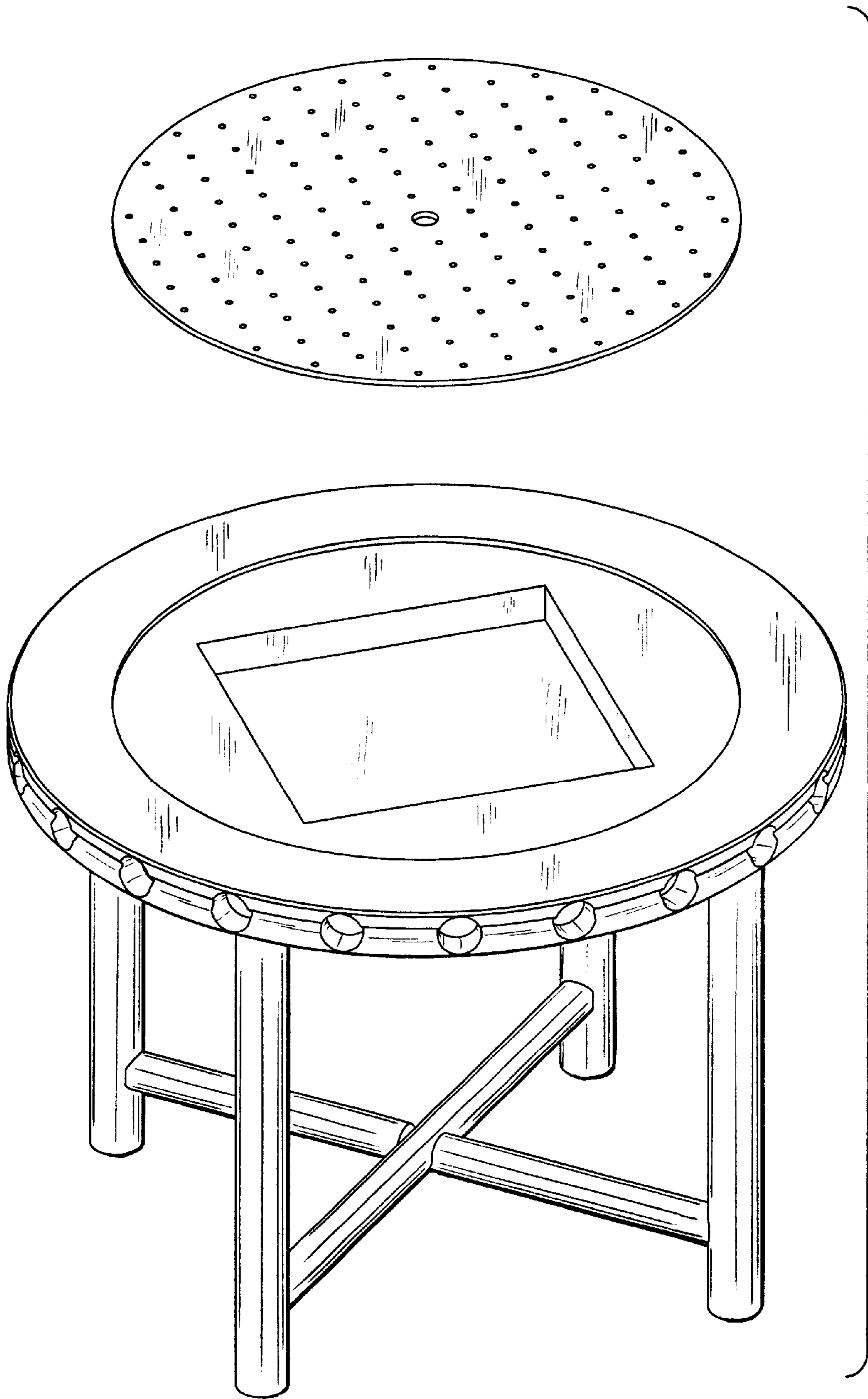


FIG. 5

FIG. 6



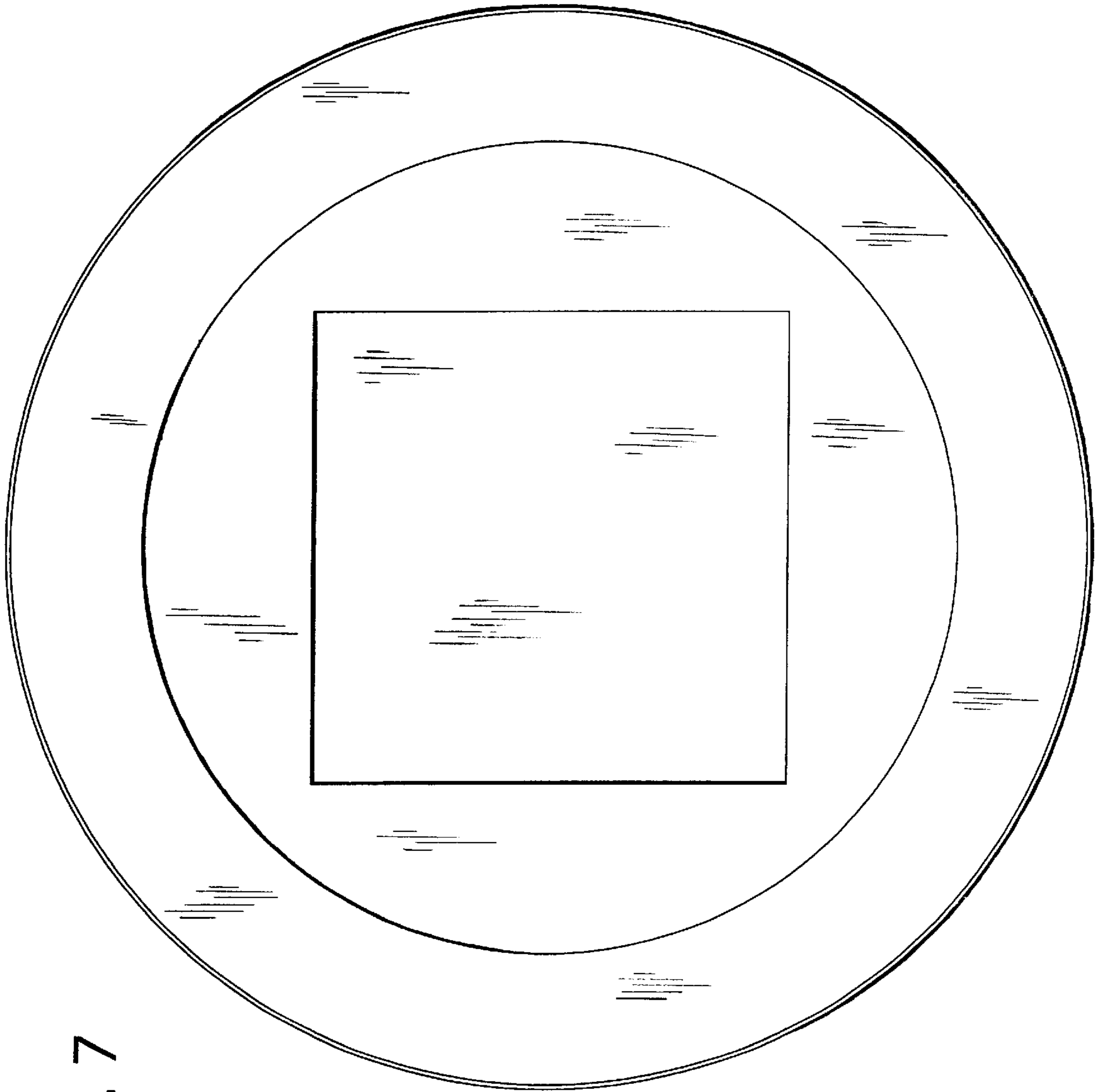


FIG. 7