



US00D461341S

(12) **United States Design Patent**
Russell et al.

(10) **Patent No.:** **US D461,341 S**

(45) **Date of Patent:** **** Aug. 13, 2002**

(54) **TABLE**

(75) **Inventors:** **Robert L. Russell**, Kentwood; **Randal T. Lewis**, Rockford; **Steven M. Eldersveld**, Grand Rapids, all of MI (US)

(73) **Assignee:** **R. T. London Company**, Grand Rapids, MI (US)

(**) **Term:** **14 Years**

(21) **Appl. No.:** **29/138,488**

(22) **Filed:** **Mar. 14, 2001**

(51) **LOC (7) Cl.** **06-03**

(52) **U.S. Cl.** **D6/486**

(58) **Field of Search** D6/480-489, 495-499, D6/511; 108/150, 151, 153.1, 155, 156, 157, 161, 50.01, 50.02; 248/188, 188.1

(56) **References Cited**

U.S. PATENT DOCUMENTS

1,903,631 A * 4/1933 Morrison D6/486

2,570,634 A * 10/1951 Bartschy D6/486
5,421,271 A * 6/1995 Sui 108/50
D393,764 S * 4/1998 Hundertmark D6/498
D438,410 S * 3/2001 Mancini D6/498

* cited by examiner

Primary Examiner—Janice E. Seeger

(74) *Attorney, Agent, or Firm*—McGarry Bair LLP

(57) **CLAIM**

The ornamental design for a table, as shown and described.

DESCRIPTION

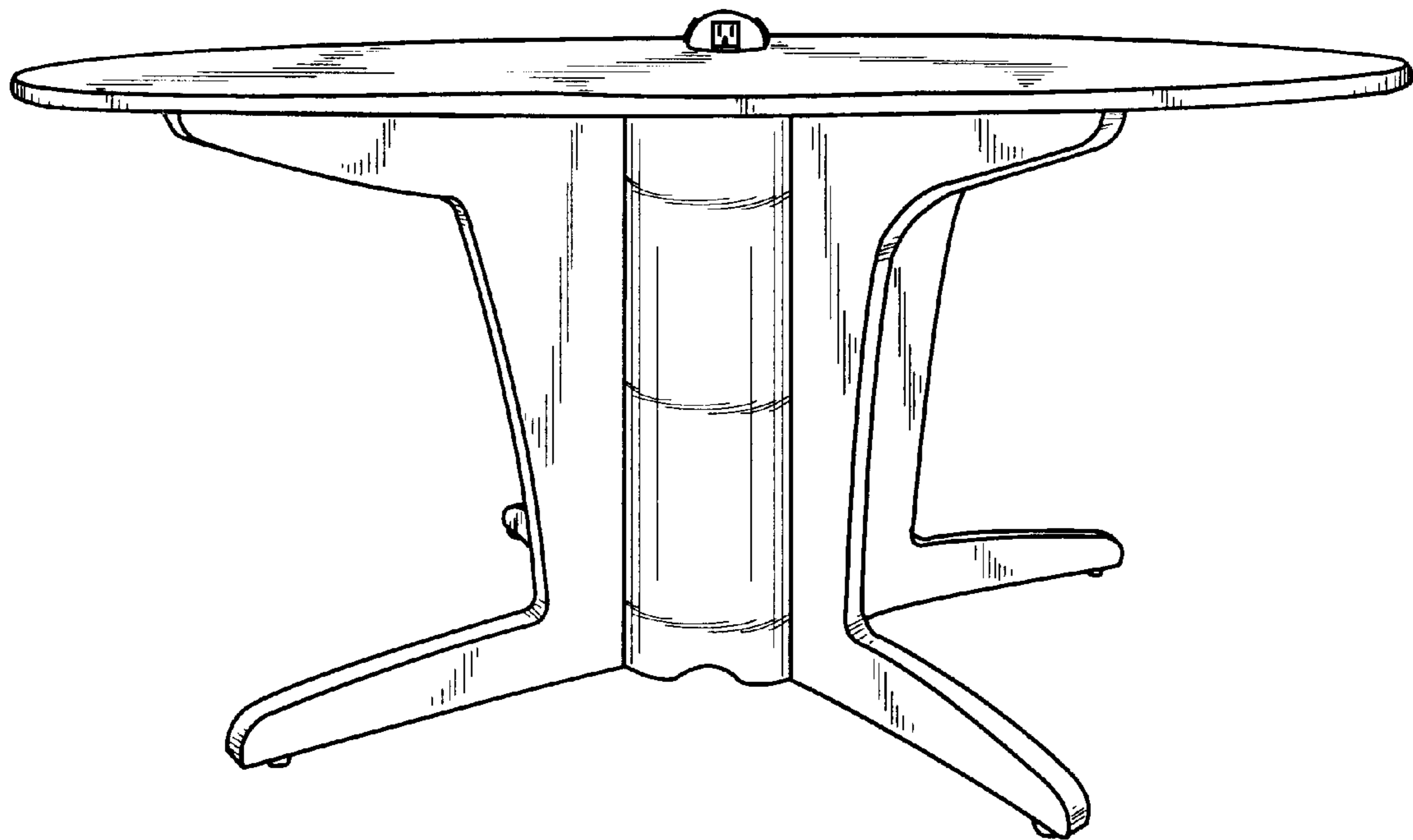
FIG. 1 is a perspective view of table of our design;

FIG. 2 is a front view, the back, left, and right being identical views thereof;

FIG. 3 is a top view; and,

FIG. 4 is a bottom view.

1 Claim, 2 Drawing Sheets



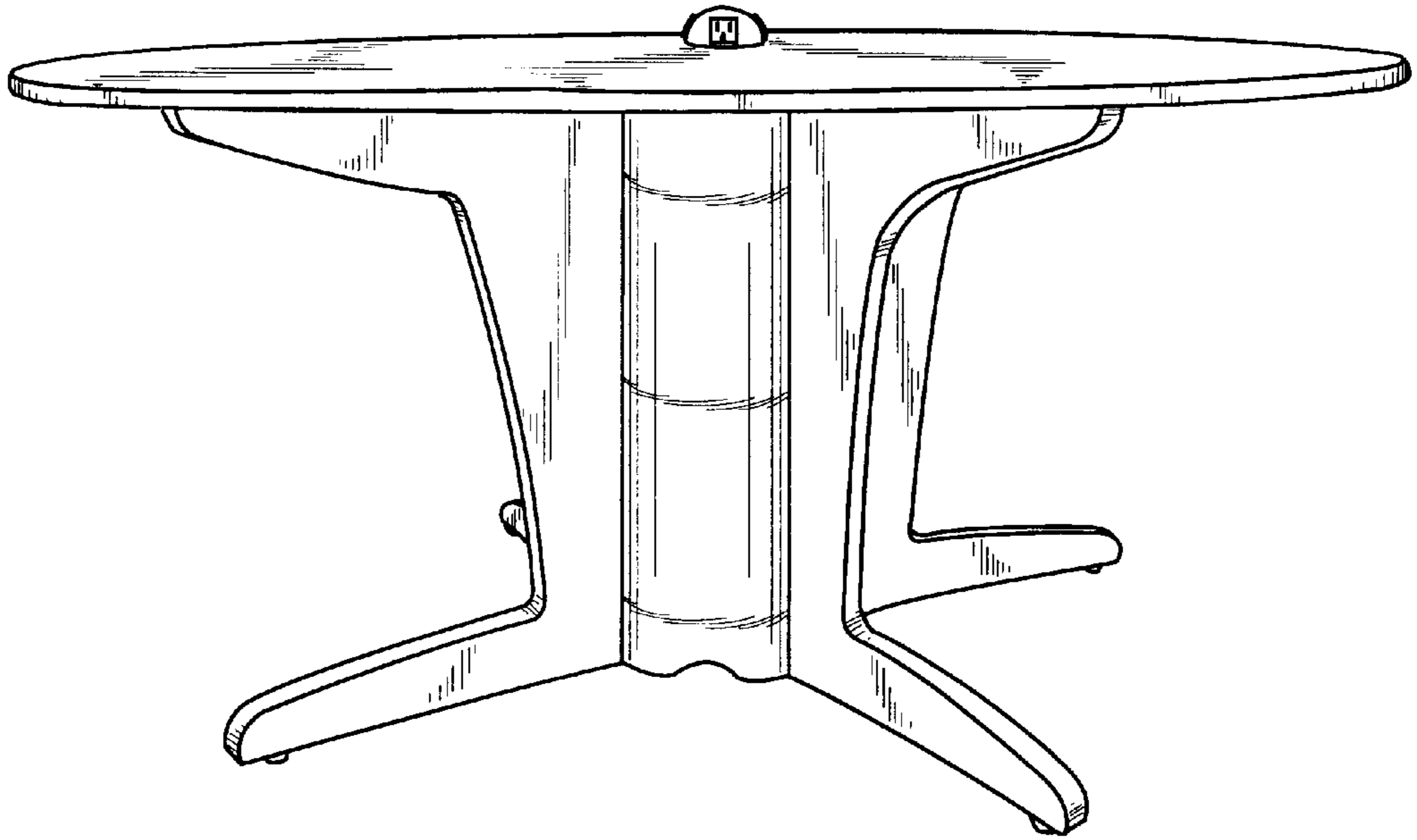


Fig. 1

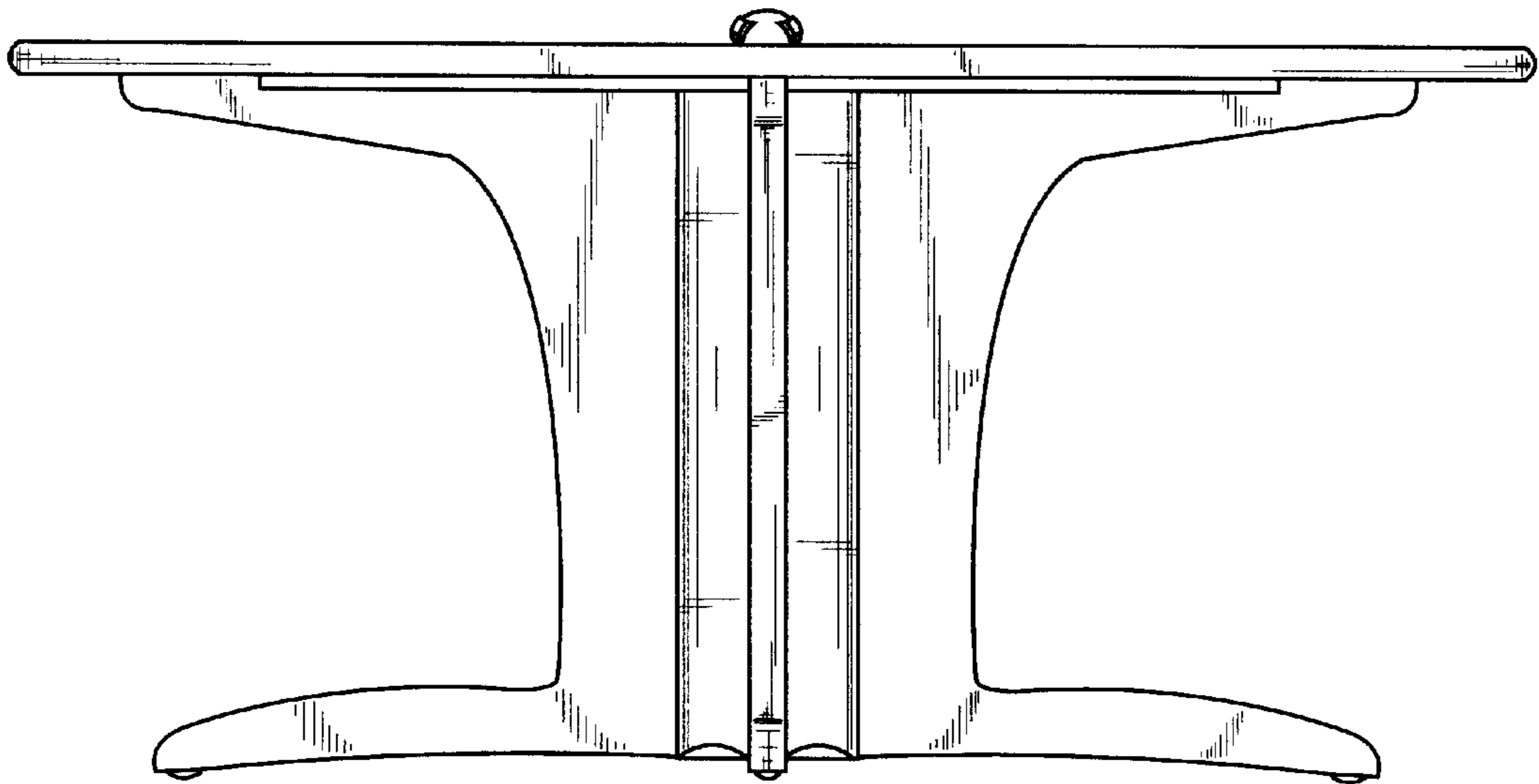


Fig. 2

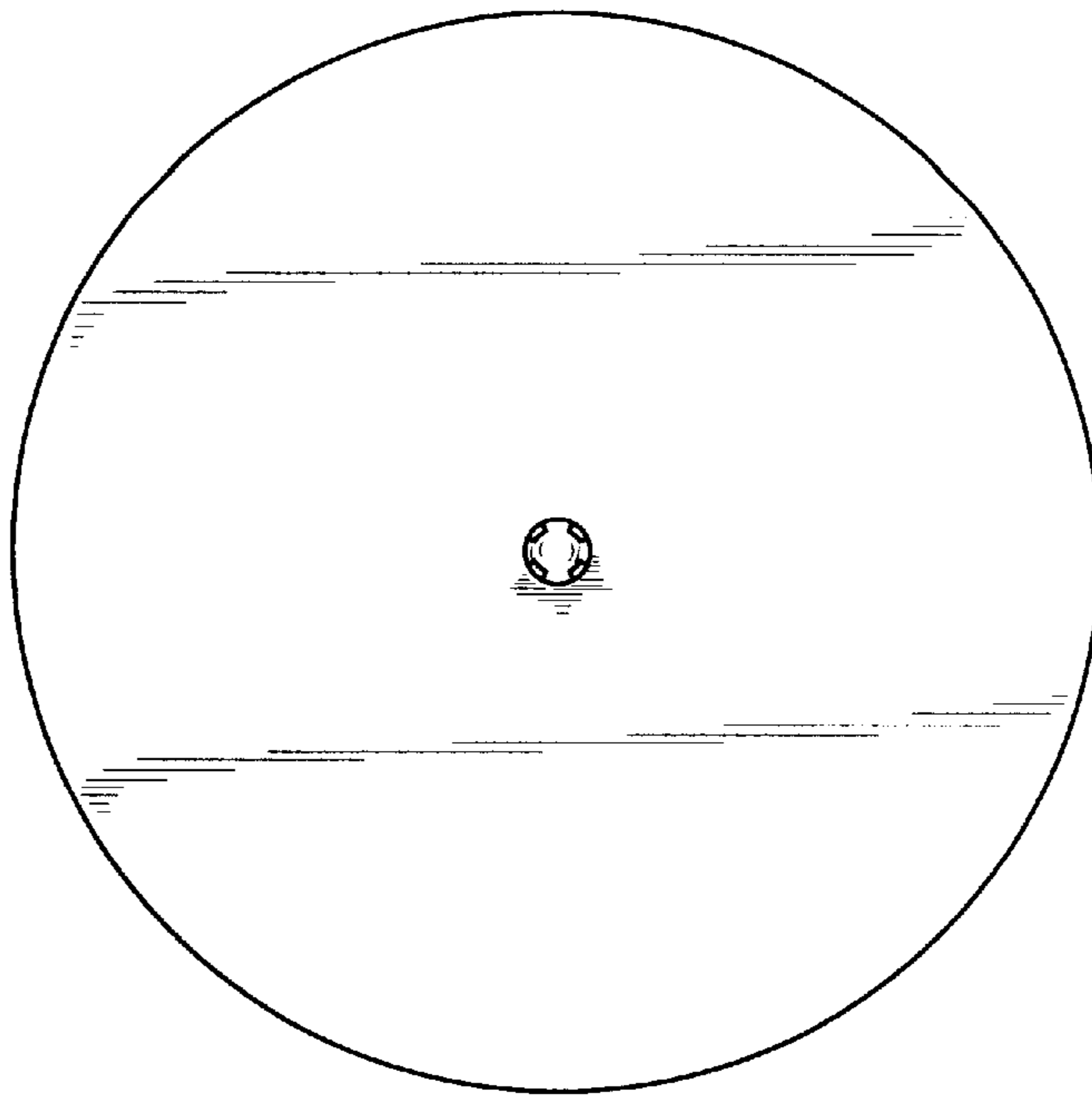


Fig. 3

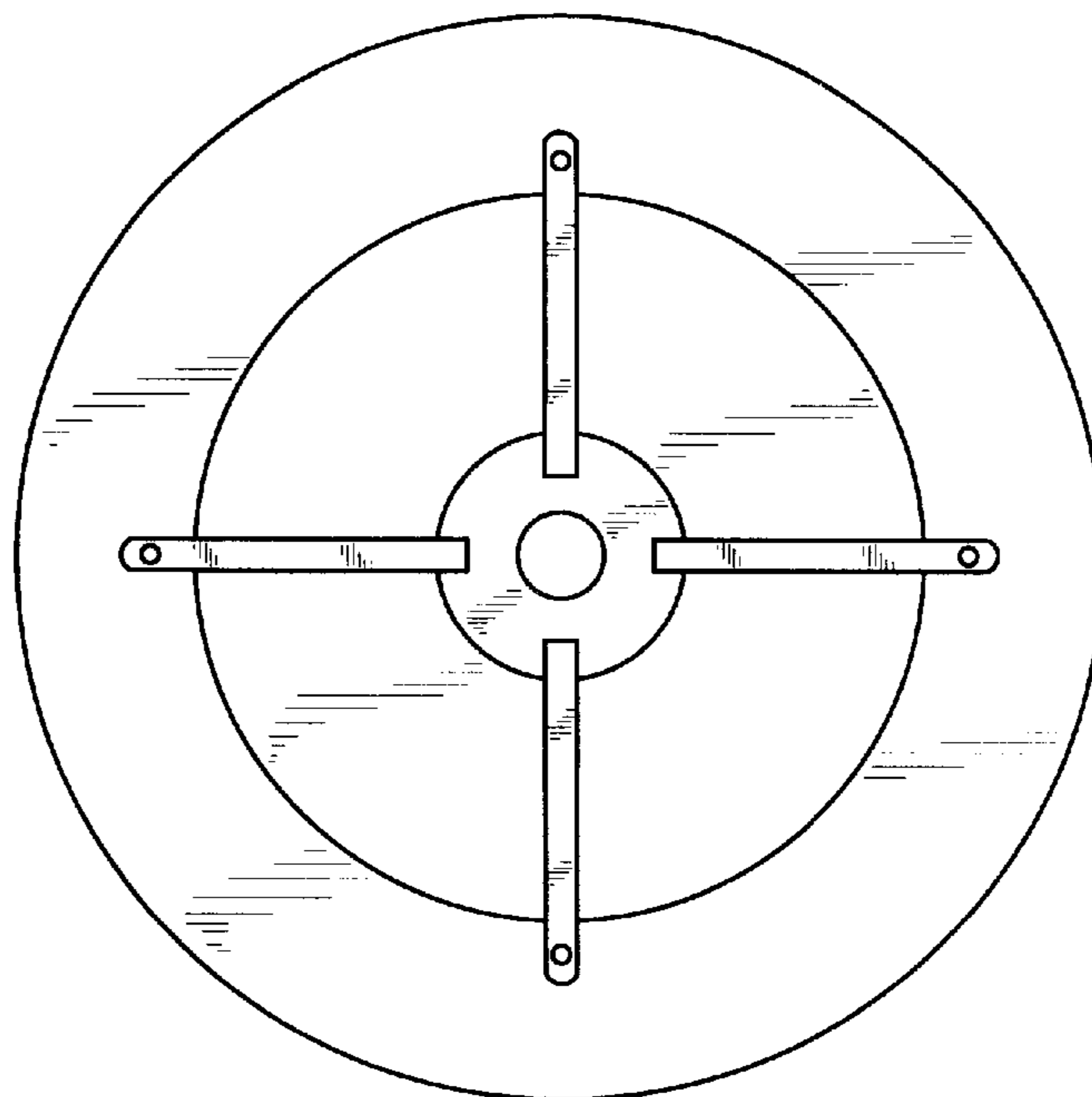


Fig. 4