



US00D461339S

(12) **United States Design Patent**  
**Keller**

(10) **Patent No.:** **US D461,339 S**

(45) **Date of Patent:** **\*\* Aug. 13, 2002**

(54) **TABLE**

(75) Inventor: **H. Thomas Keller**, High Point, NC (US)

(73) Assignee: **Thomasville Furniture Industries, Inc.**, Thomasville, NC (US)

(\*\*) Term: **14 Years**

(21) Appl. No.: **29/147,551**

(22) Filed: **Aug. 30, 2001**

(51) **LOC (7) Cl.** ..... **06-03**

(52) **U.S. Cl.** ..... **D6/480; D6/448**

(58) **Field of Search** ..... D6/480-489, 495,  
D6/450, 451, 432, 448; 108/150; D3/272;  
190/19

(56) **References Cited**

**U.S. PATENT DOCUMENTS**

1,718,134 A	*	6/1929	Gallion	.....	D3/272
D233,717 S	*	11/1974	Stewart	.....	D6/480
D415,614 S	*	10/1999	Akaike et al.	.....	D3/276
D436,461 S	*	1/2001	Walker	.....	D6/432

**OTHER PUBLICATIONS**

Trunk Table, Sherrill Furniture brochure, p. 115, 1999.  
Swell Chest, Century "Town and Country" brochure, p. 5, 1998.

American of Martinsville, May 11, 1983, Box on stand, copy in design library.\*

\* cited by examiner

*Primary Examiner*—Janice E. Seeger

(74) *Attorney, Agent, or Firm*—Womble Carlyle Sandridge & Rice, PLLC

(57) **CLAIM**

The ornamental design for a table, as shown and described.

**DESCRIPTION**

FIG. 1 is an end side perspective view of a table showing my new design;

FIG. 2 is a side elevational view, the opposite side being a mirror image thereof;

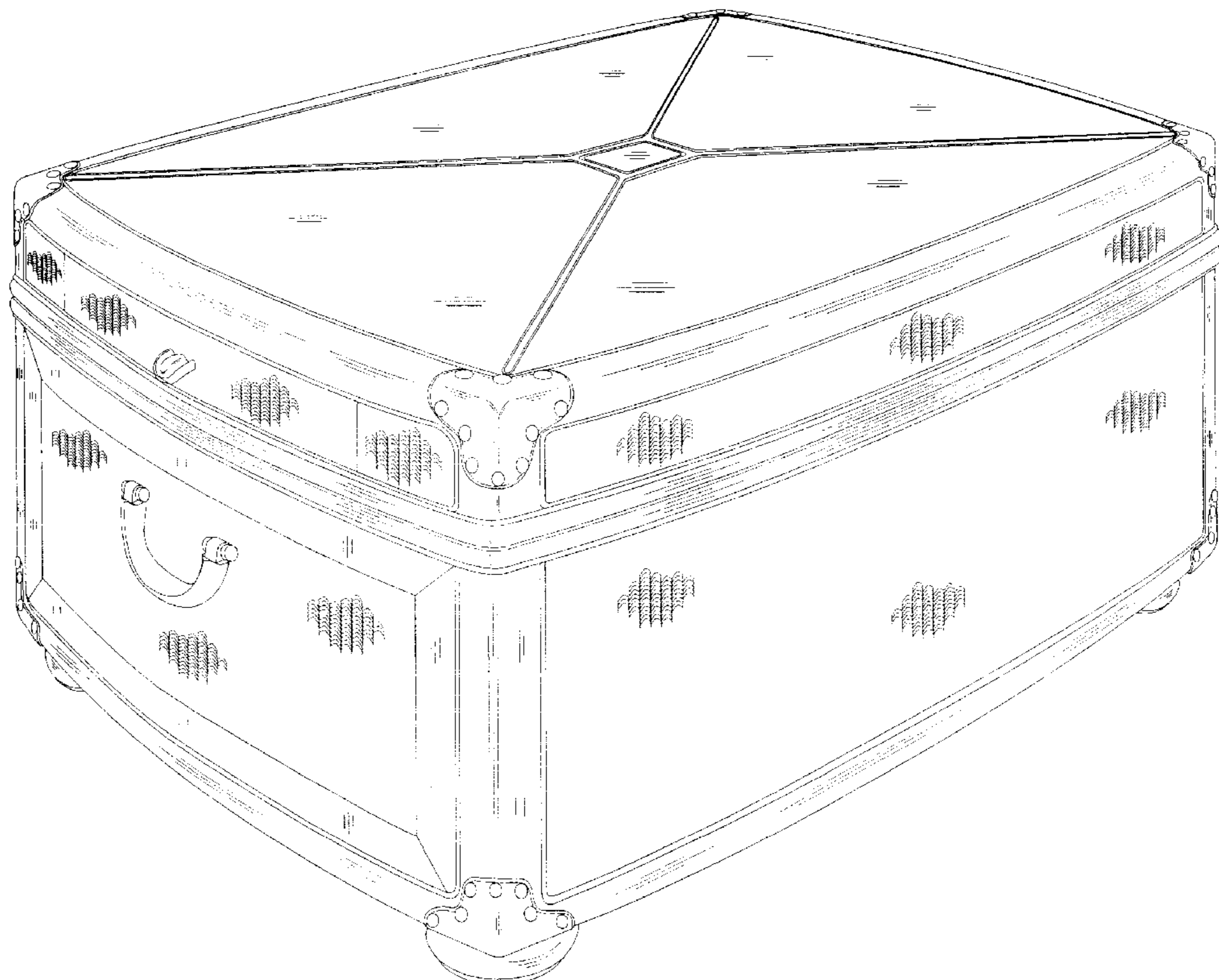
FIG. 3 is an end elevational view, the opposite end being a mirror image thereof; and,

FIG. 4 is a top view thereof.

"The fragmentary depiction of the surface pattern on the sides of the article is understood to exist uniformly across those surfaces."

The bottom view of the table is not shown and forms no part of the claimed design.

**1 Claim, 4 Drawing Sheets**



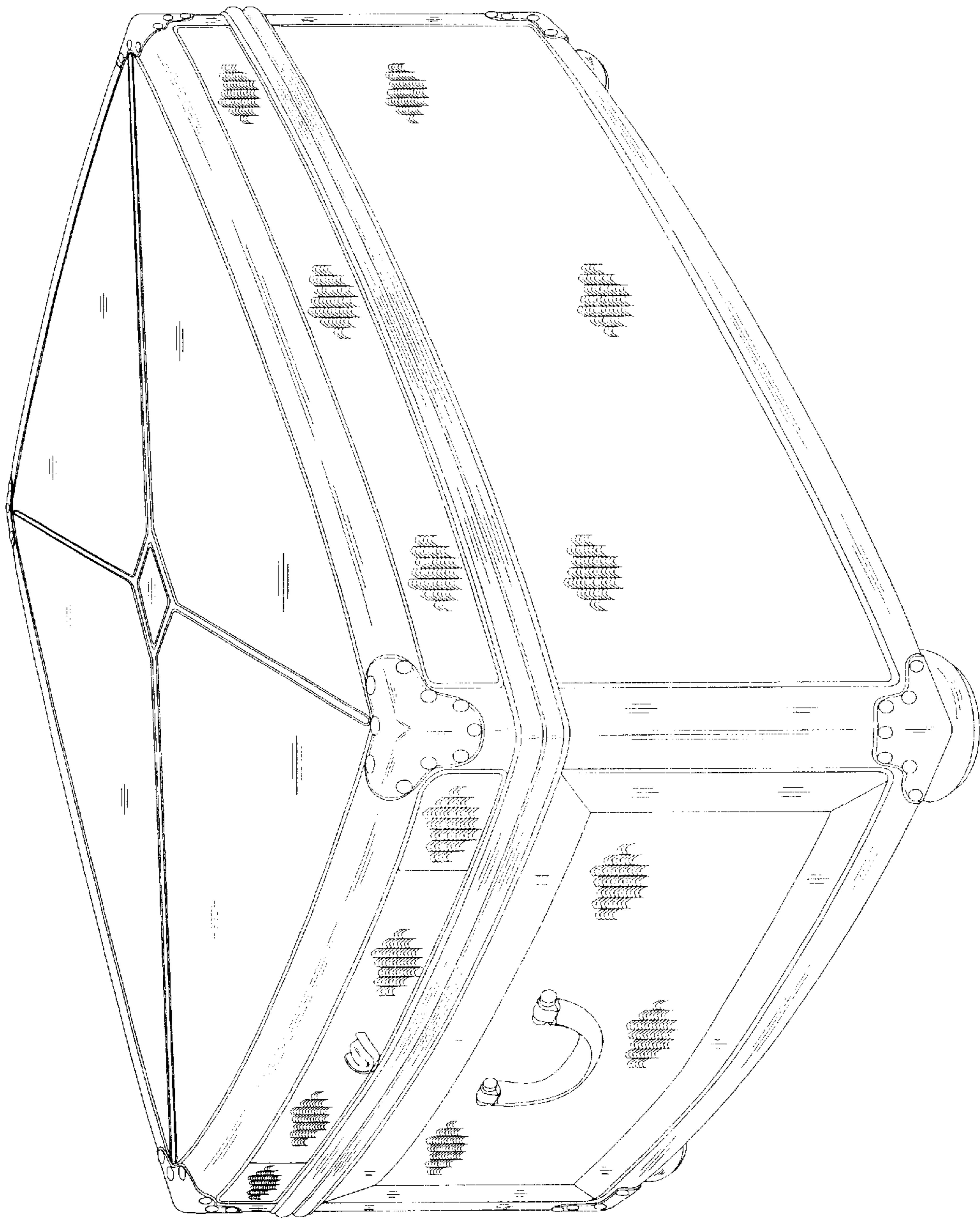


FIG. 1

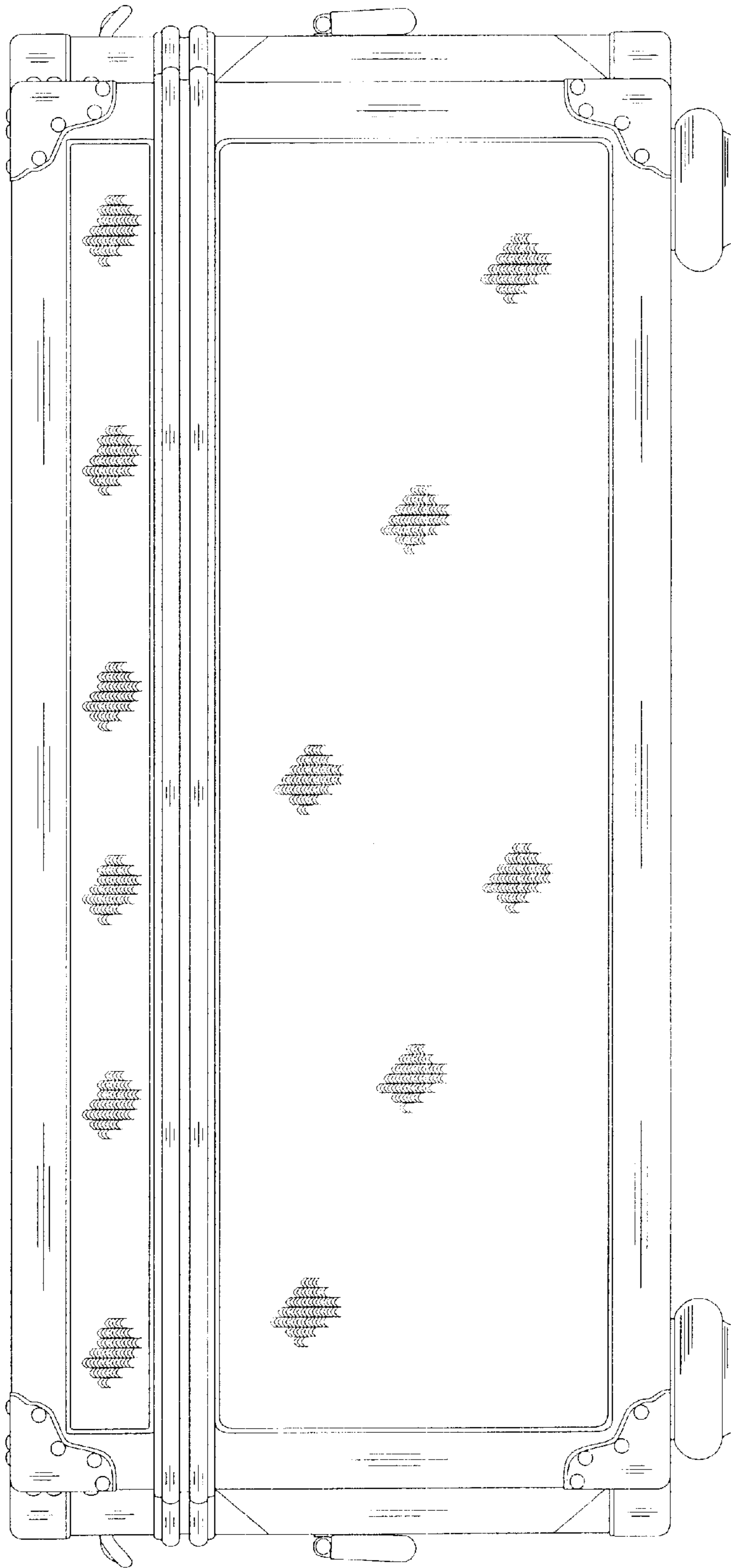


FIG. 2



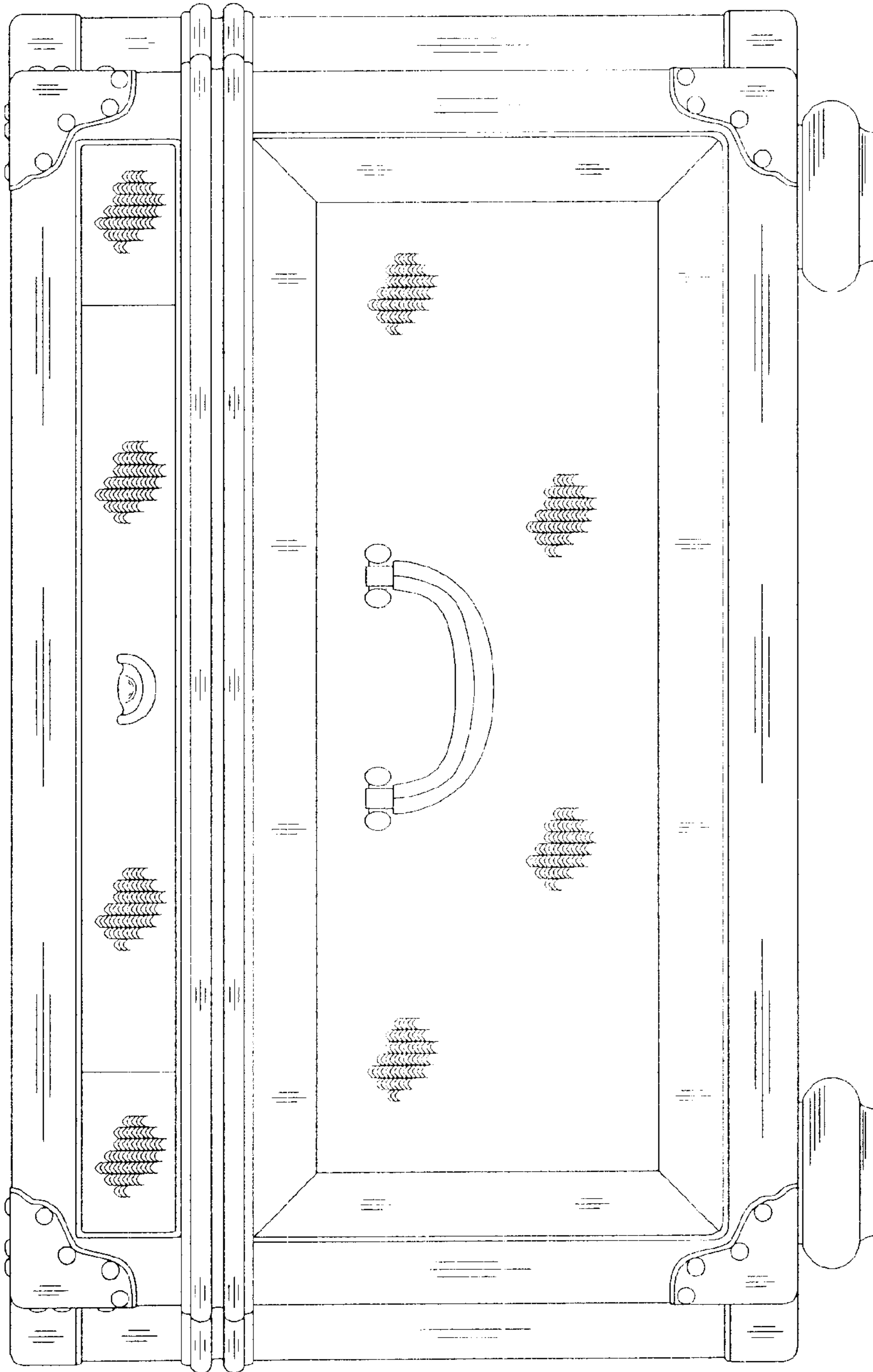


FIG. 3

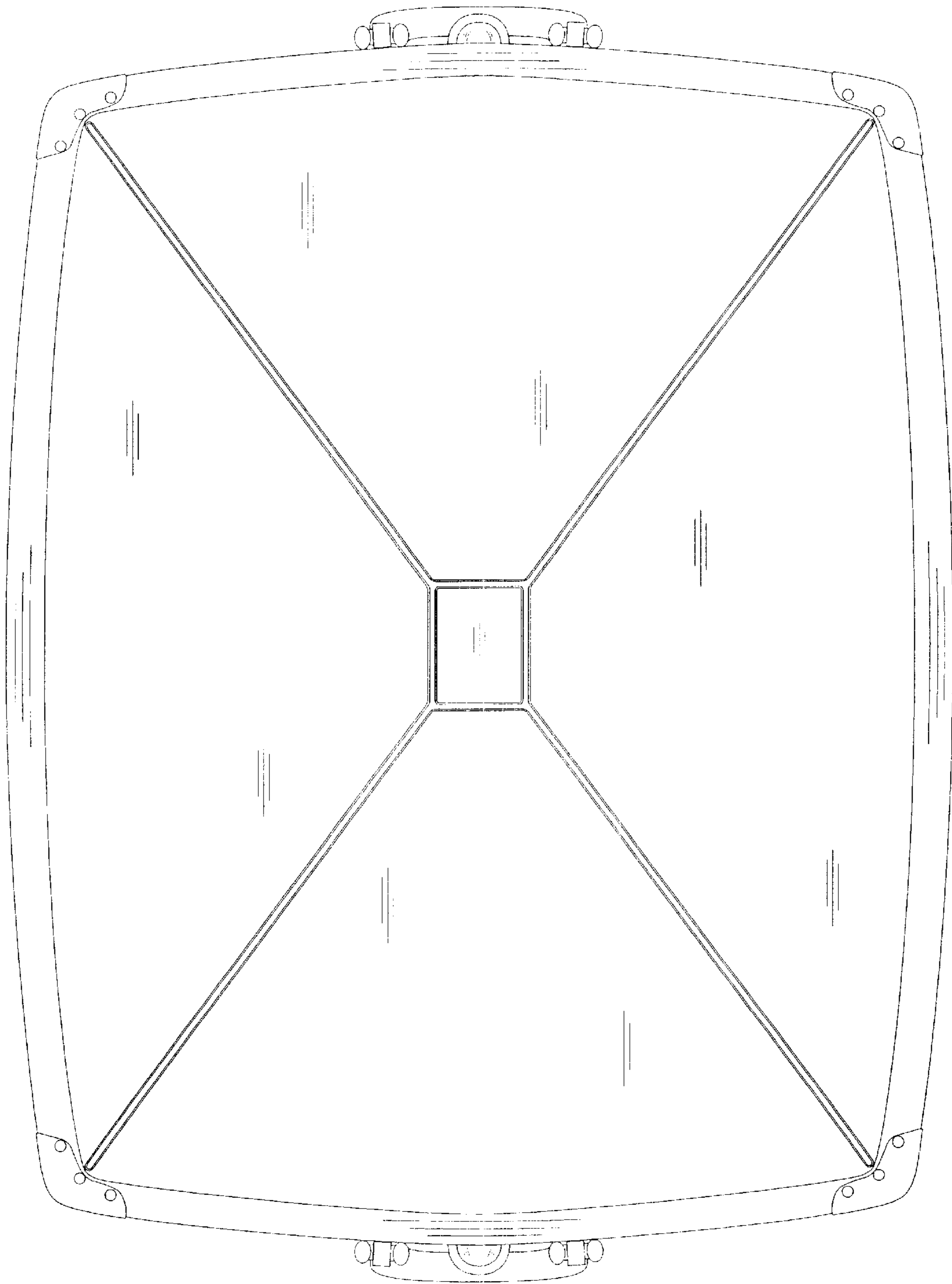


FIG. 4