



US00D461337S

(12) **United States Design Patent**
Stokes

(10) **Patent No.:** **US D461,337 S**

(45) **Date of Patent:** **** Aug. 13, 2002**

(54) **TABLE**

D434,583 S * 12/2000 Hutton D6/484
D443,042 S * 5/2001 Ungaro D23/270

(76) **Inventor:** **McNeill Stokes**, 1040 Peachtree Battle Ave., Atlanta, GA (US) 30327

* cited by examiner

(**) **Term:** **14 Years**

Primary Examiner—Janice E. Seeger
(74) *Attorney, Agent, or Firm*—Patent Law Offices of Albert S. Anderson

(21) **Appl. No.:** **29/144,173**

(22) **Filed:** **Jun. 27, 2001**

(57) **CLAIM**

The ornamental design for a table, as shown and described.

(51) **LOC (7) Cl.** **06-03**

(52) **U.S. Cl.** **D6/480**

(58) **Field of Search** D6/480–489, 495,
D6/511, 349; 108/153.1, 155, 156, 157.1,
161; 248/188, 188.1

DESCRIPTION

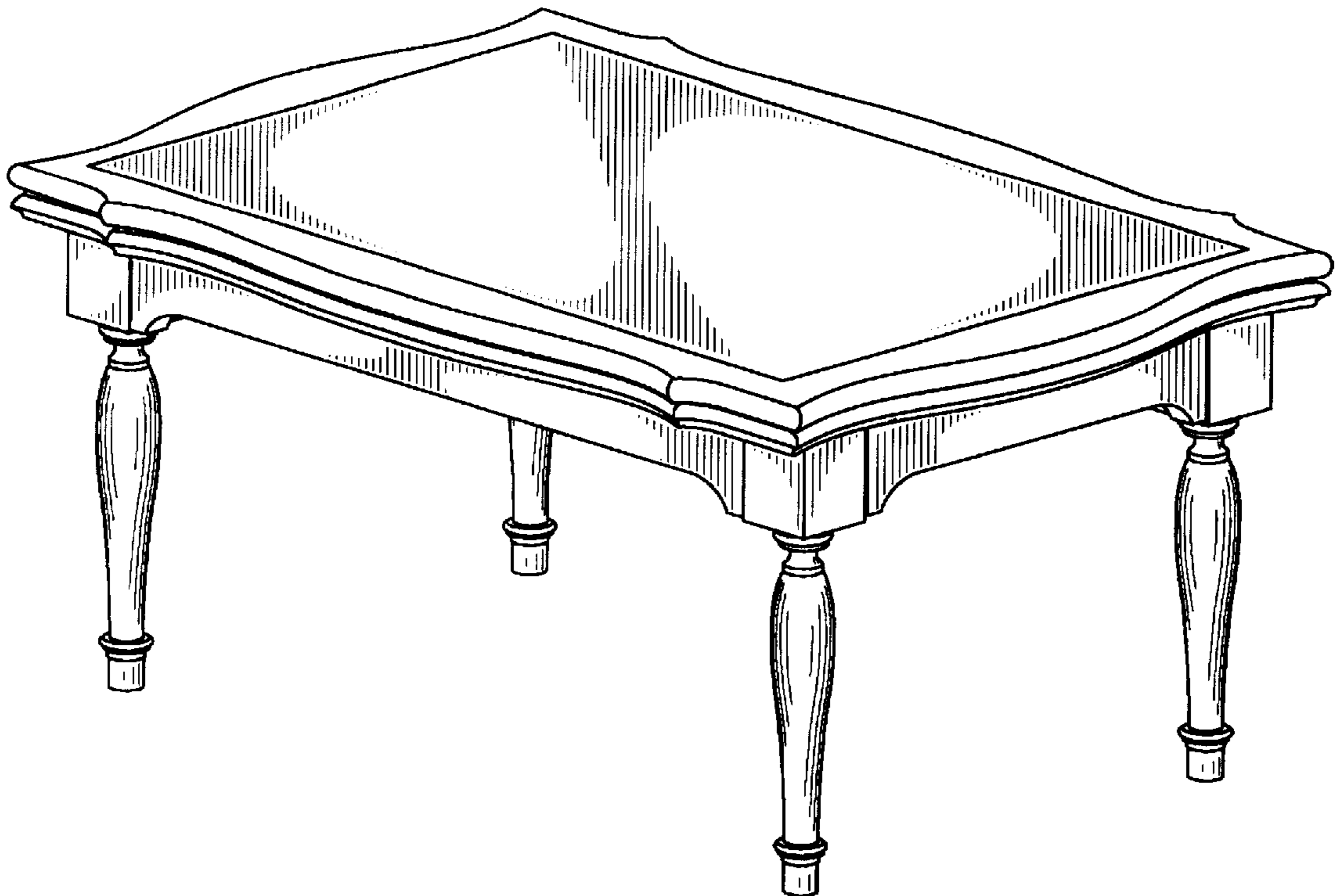
FIG. 1 is a perspective view of my new table;
FIG. 2 is a left side view thereof;
FIG. 3 is a front view thereof, the rear view being a mirror image of the front view;
FIG. 4 is a right side view thereof;
FIG. 5 is a top view thereof; and,
FIG. 6 is a bottom view thereof.

(56) **References Cited**

U.S. PATENT DOCUMENTS

2,946,639 A * 7/1960 Stanton 312/204
D355,800 S * 2/1995 Ward D6/484
D388,980 S * 1/1998 Mohundro D6/480
D424,837 S * 5/2000 Hazen et al. D6/480

1 Claim, 3 Drawing Sheets



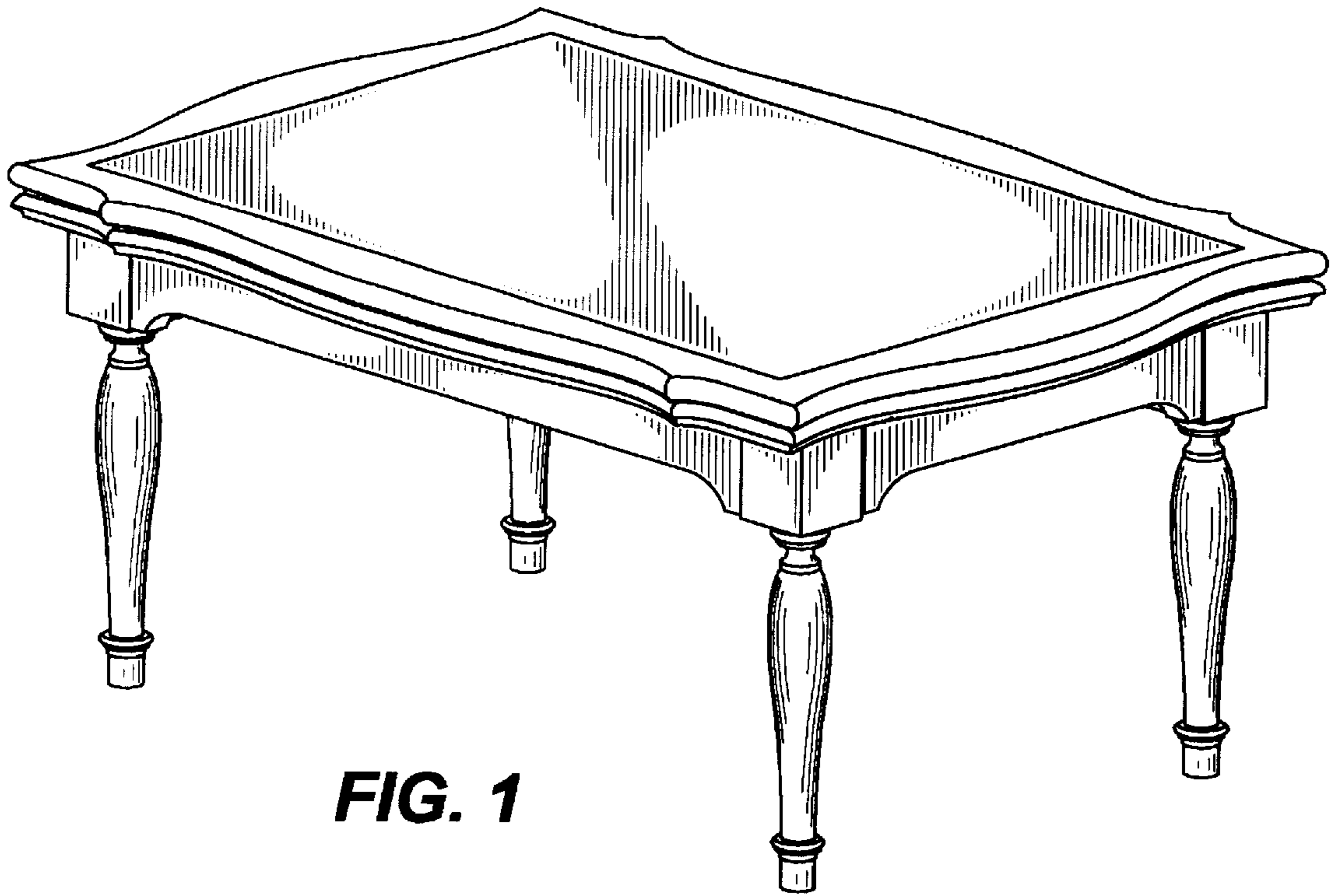


FIG. 1

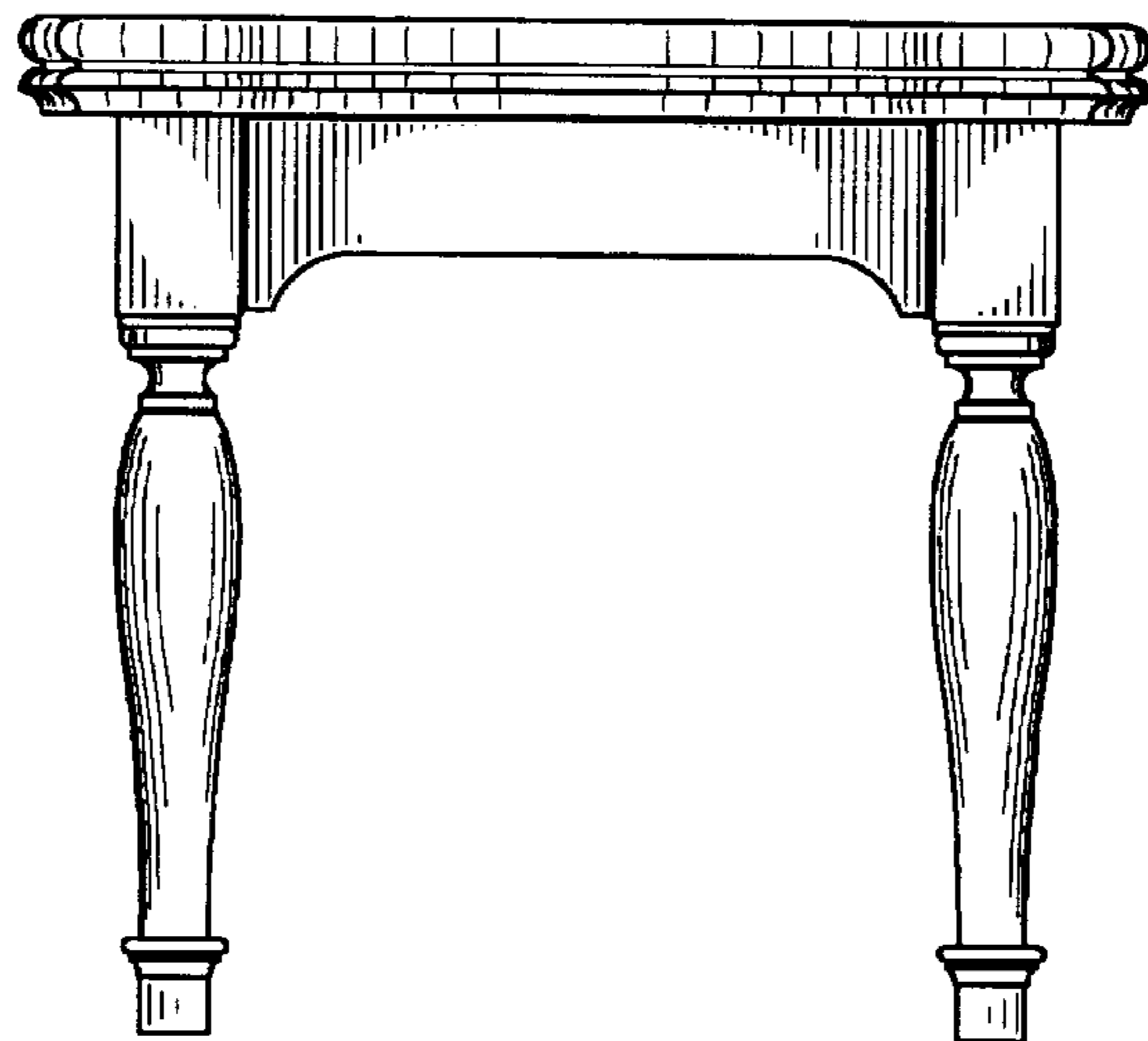


FIG. 2

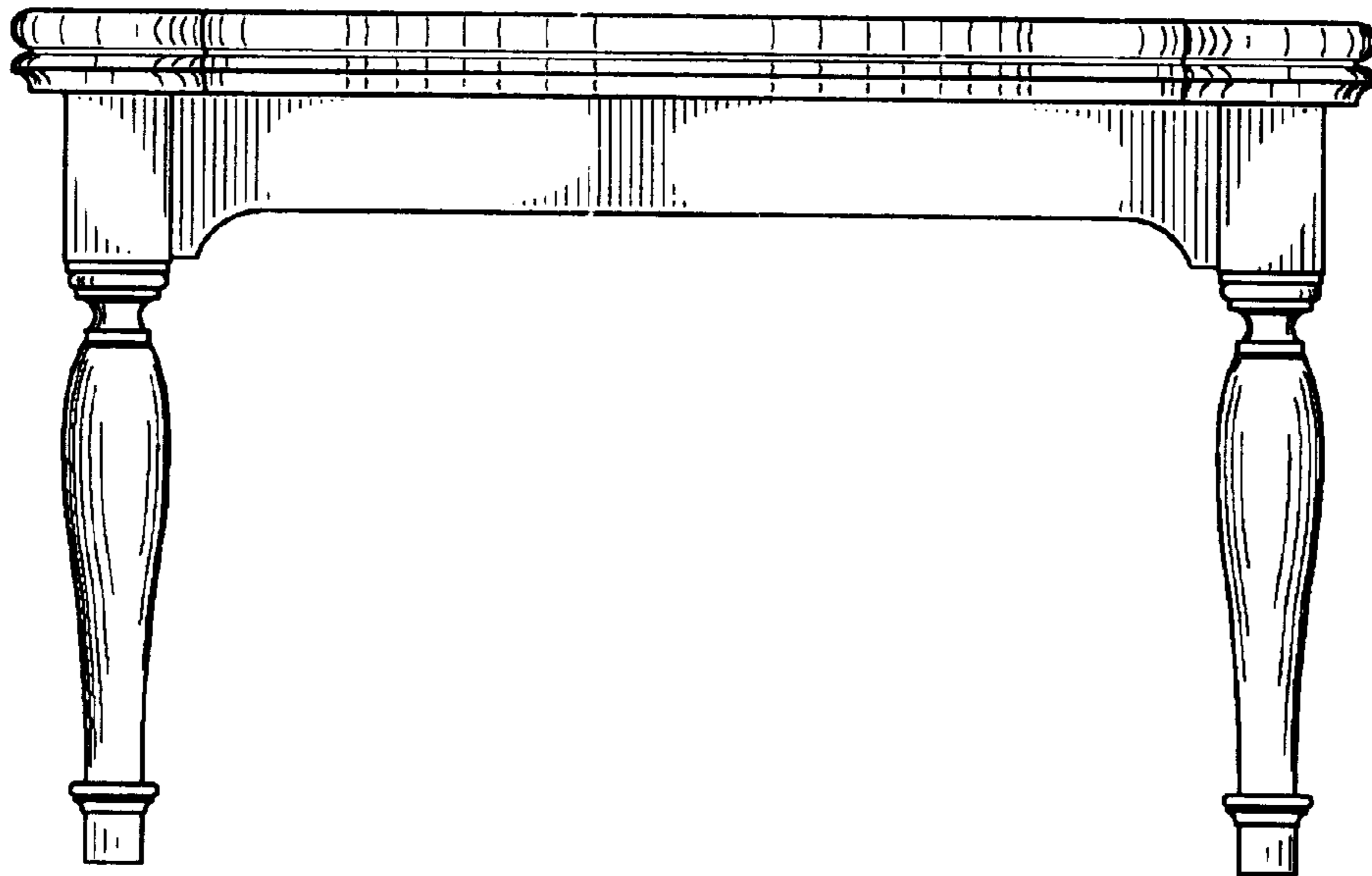


FIG. 3

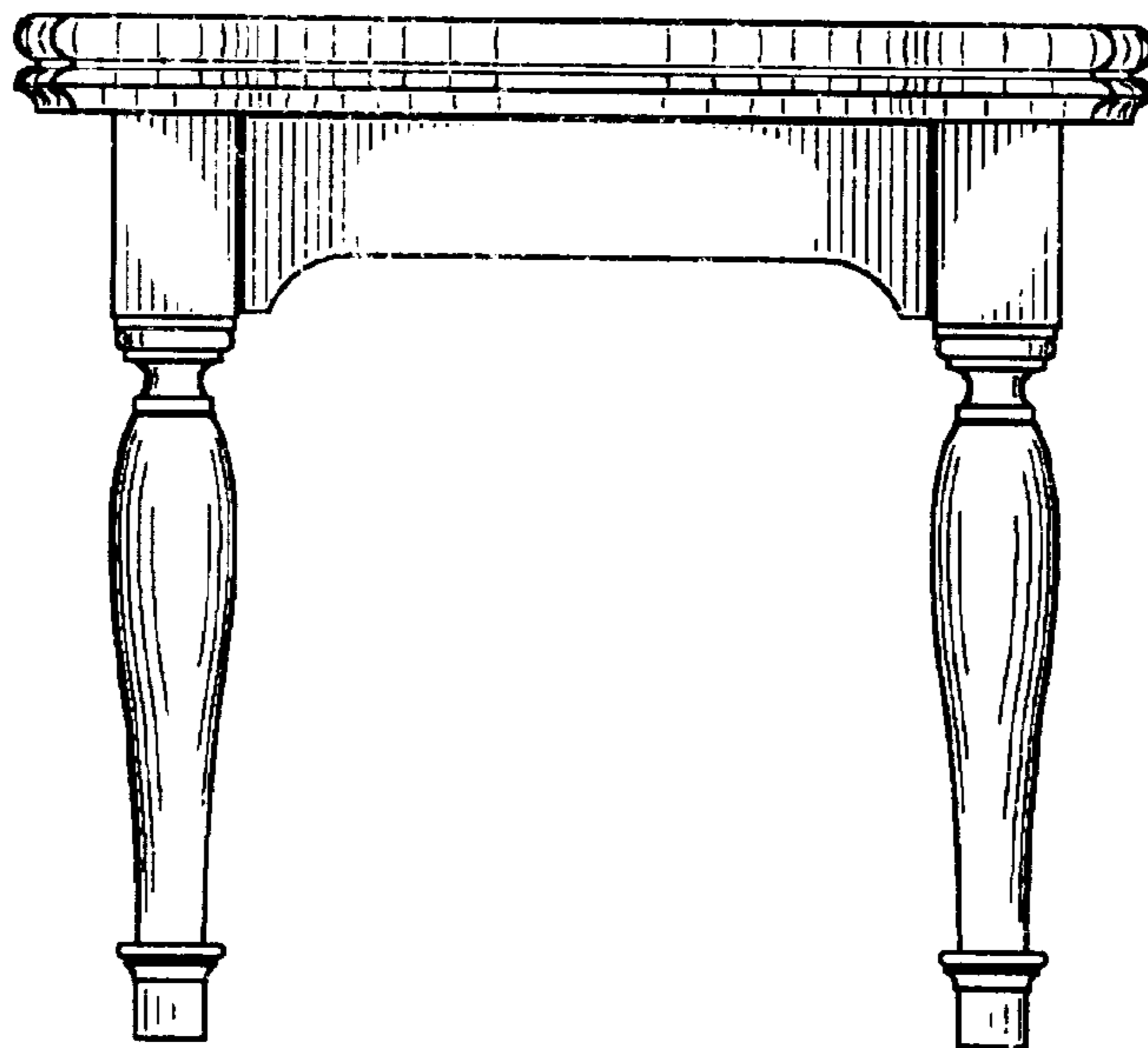


FIG. 4

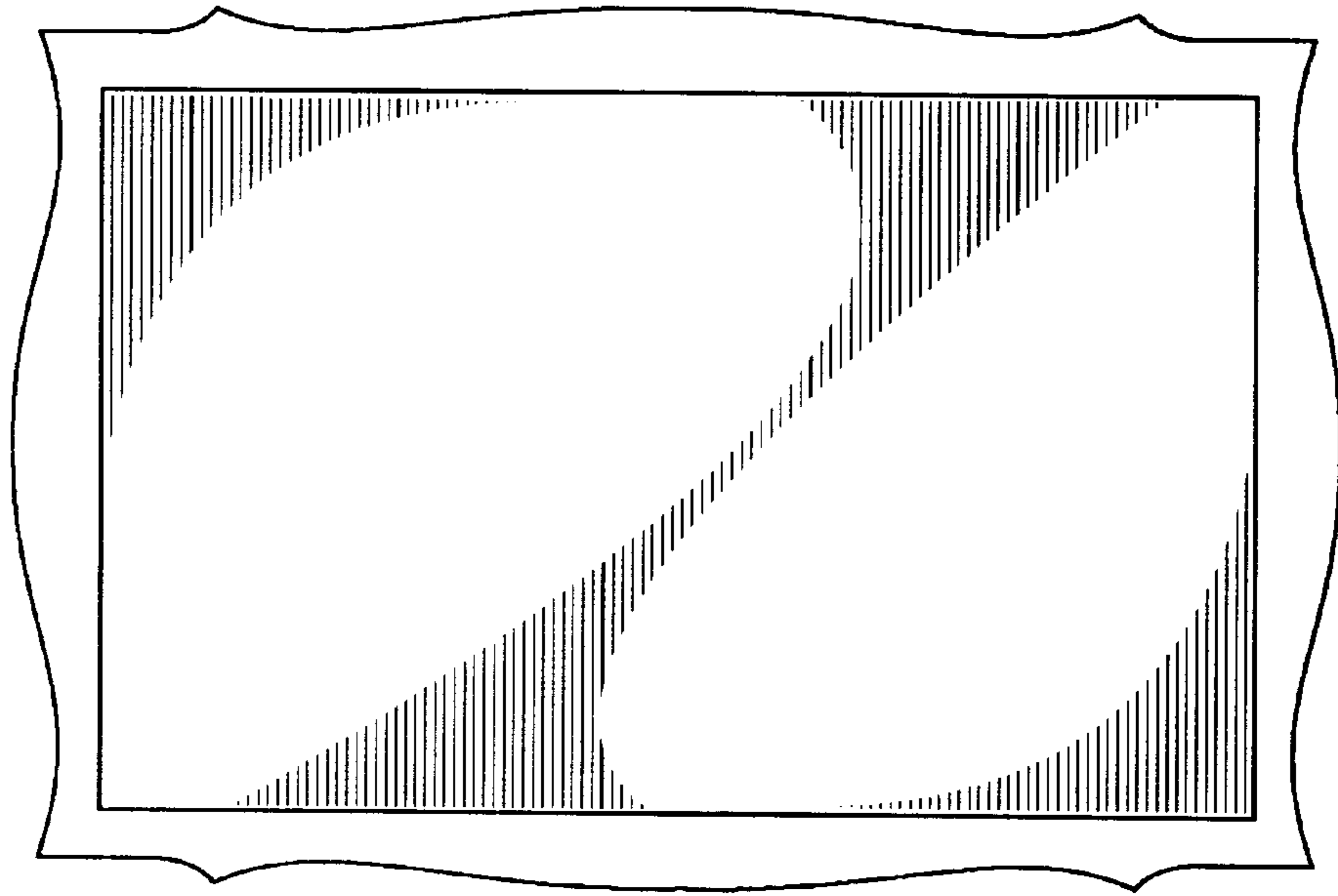


FIG. 5

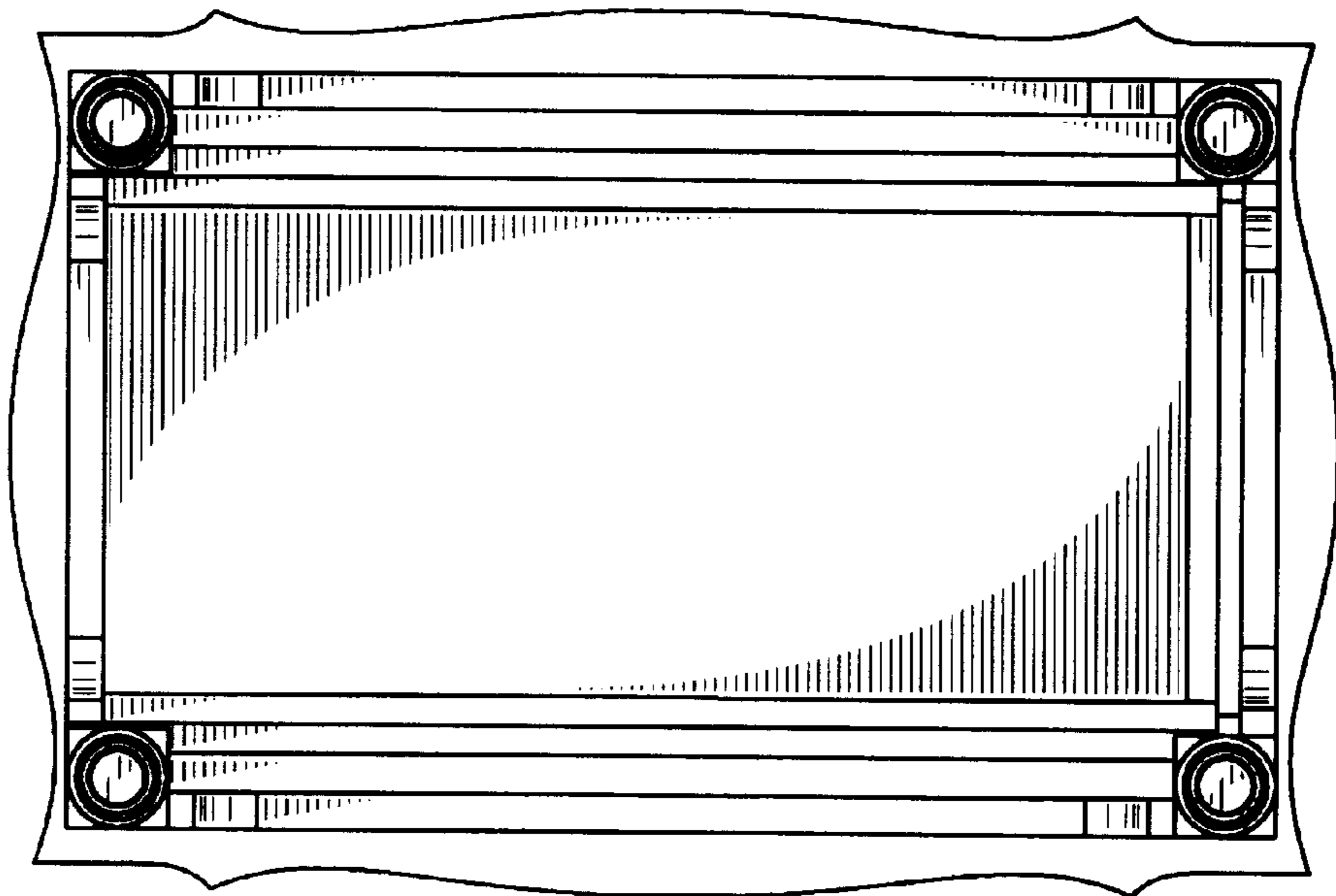


FIG. 6