



US00D461336S

(12) **United States Design Patent**  
**Slear et al.**

(10) **Patent No.:** **US D461,336 S**

(45) **Date of Patent:** **\*\* Aug. 13, 2002**

(54) **SITE FURNITURE**

(75) **Inventors:** **Carl A. Slear; Arthur C. Slear**, both of Butler; **E. Paul Arnold**, Grove City, all of PA (US)

(73) **Assignee:** **Keystone Ridge Designs, Inc.**, Butler, PA (US)

(\*\*) **Term:** **14 Years**

(21) **Appl. No.:** **29/140,682**

(22) **Filed:** **Apr. 23, 2001**

(51) **LOC (7) Cl.** ..... **06-03**

(52) **U.S. Cl.** ..... **D6/480**

(58) **Field of Search** ..... D6/480-489, 495-499; 108/151, 153.1, 155, 156, 157, 161; 248/188, 188.1, 188.7, 188.8

(56) **References Cited**

**U.S. PATENT DOCUMENTS**

- D174,189 S \* 3/1955 Dehling ..... D6/451
- D340,598 S \* 10/1993 Castiglioni et al. .... D6/480
- D385,129 S \* 10/1997 Berlic ..... D6/422

**OTHER PUBLICATIONS**

Ethan Allen, C1998, p. 287, table at top left.\*

\* cited by examiner

*Primary Examiner*—Janice E. Seeger

(74) *Attorney, Agent, or Firm*—Webb Ziesenheim Logsdon Orkin & Hanson, P.C.

(57) **CLAIM**

The ornamental design for site furniture, as shown and described.

**DESCRIPTION**

FIG. 1 is a perspective view of site furniture showing our new design;

FIG. 2 is a top plan view thereof;

FIG. 3 is a bottom plan view thereof;

FIG. 4 is a front elevation view thereof;

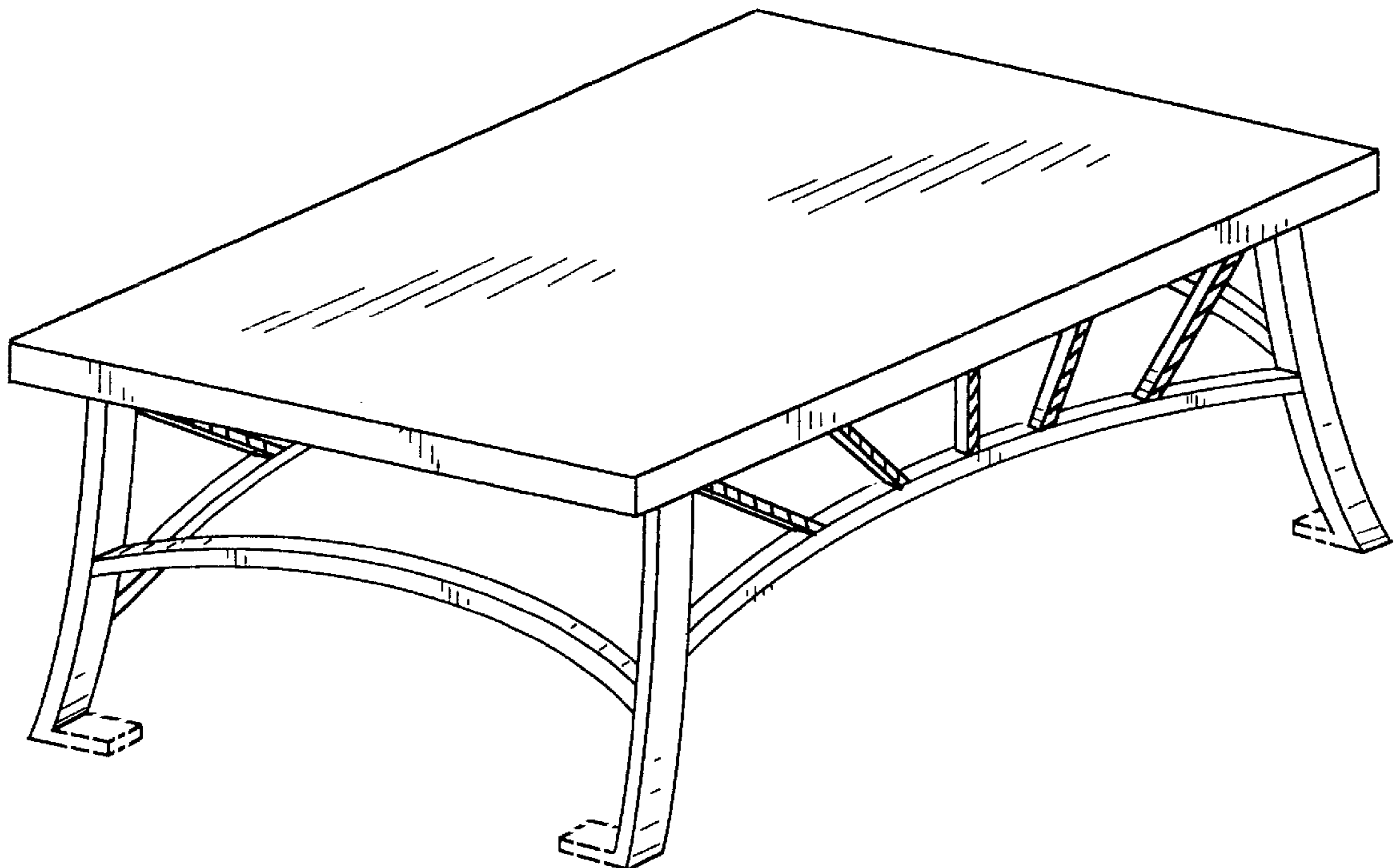
FIG. 5 is a rear elevation view thereof;

FIG. 6 is a right side elevation view thereof; and,

FIG. 7 is a left side elevation view thereof.

The broken lines in FIGS. 1, 3, 6 and 7 are for illustrative purposes only and form no part of the claimed design.

**1 Claim, 3 Drawing Sheets**



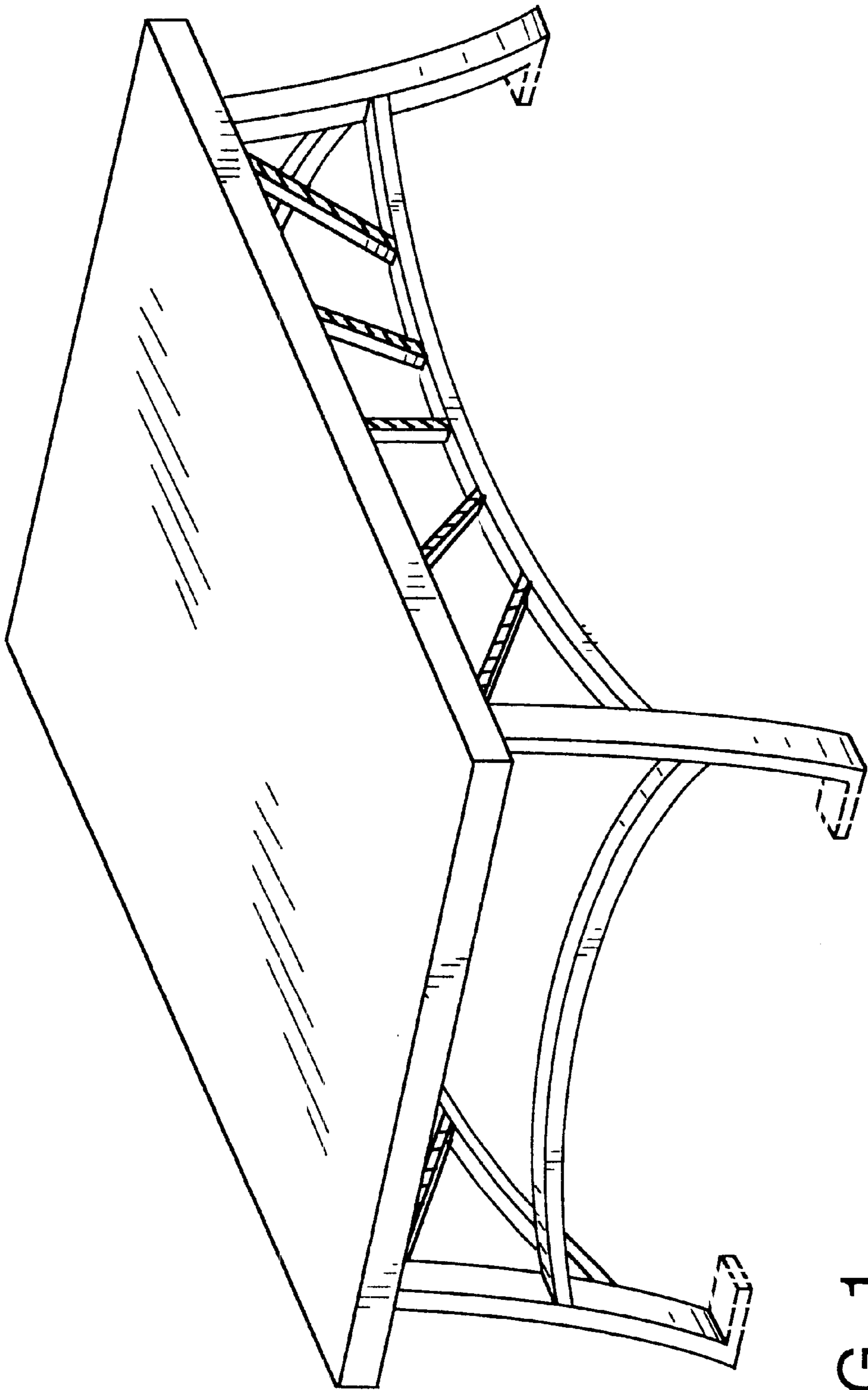


FIG. 1

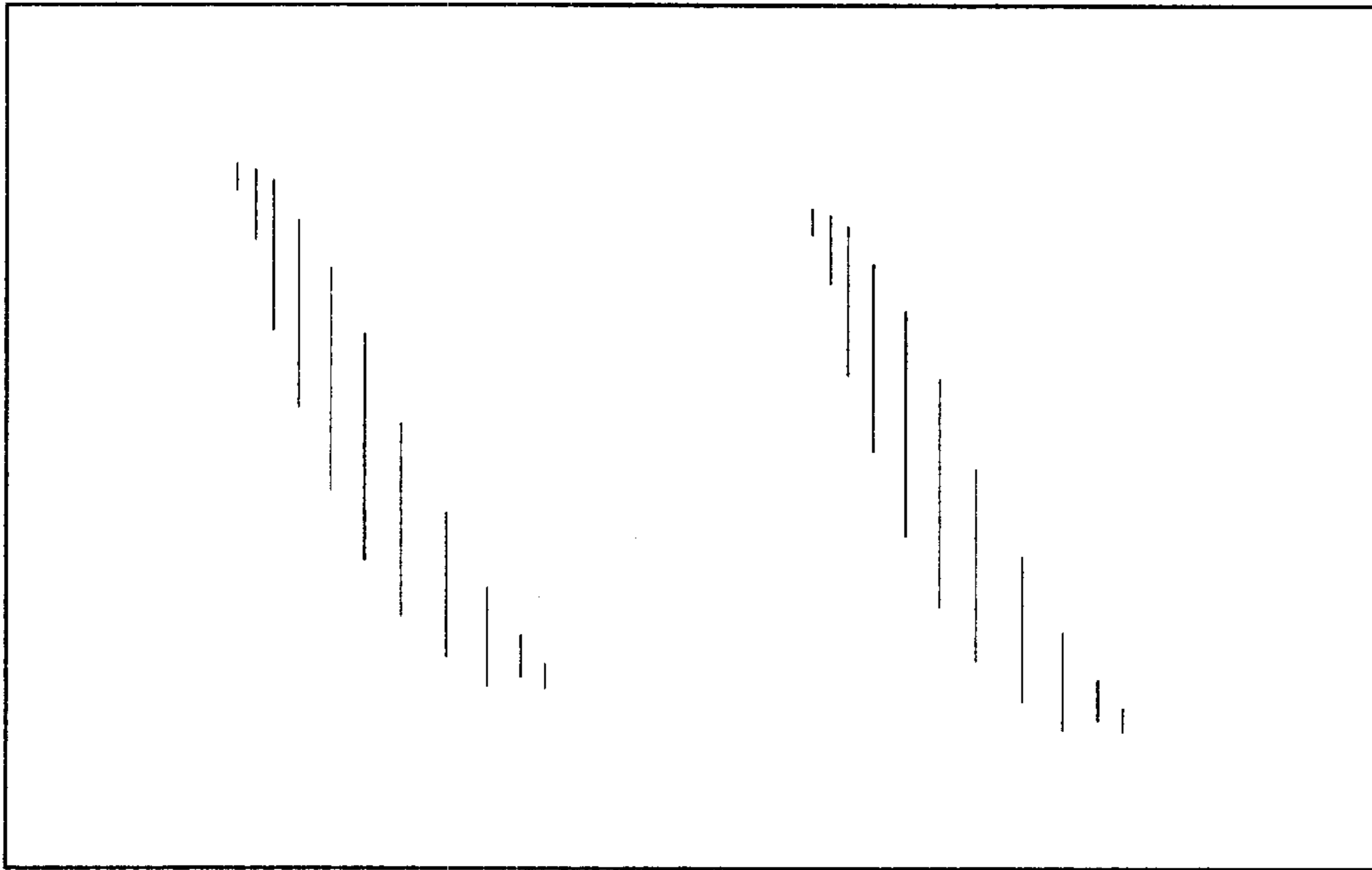


FIG. 2

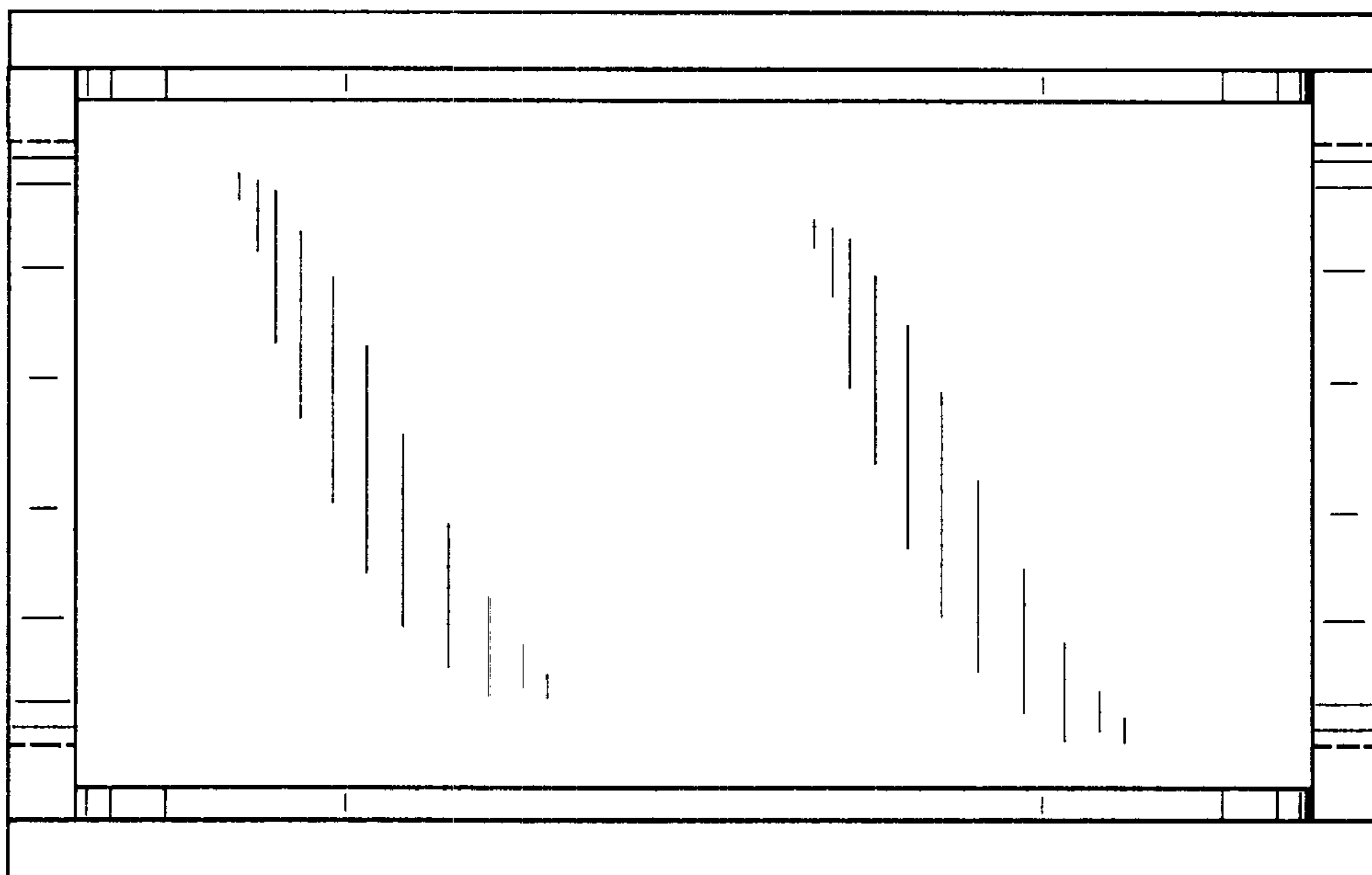


FIG. 3

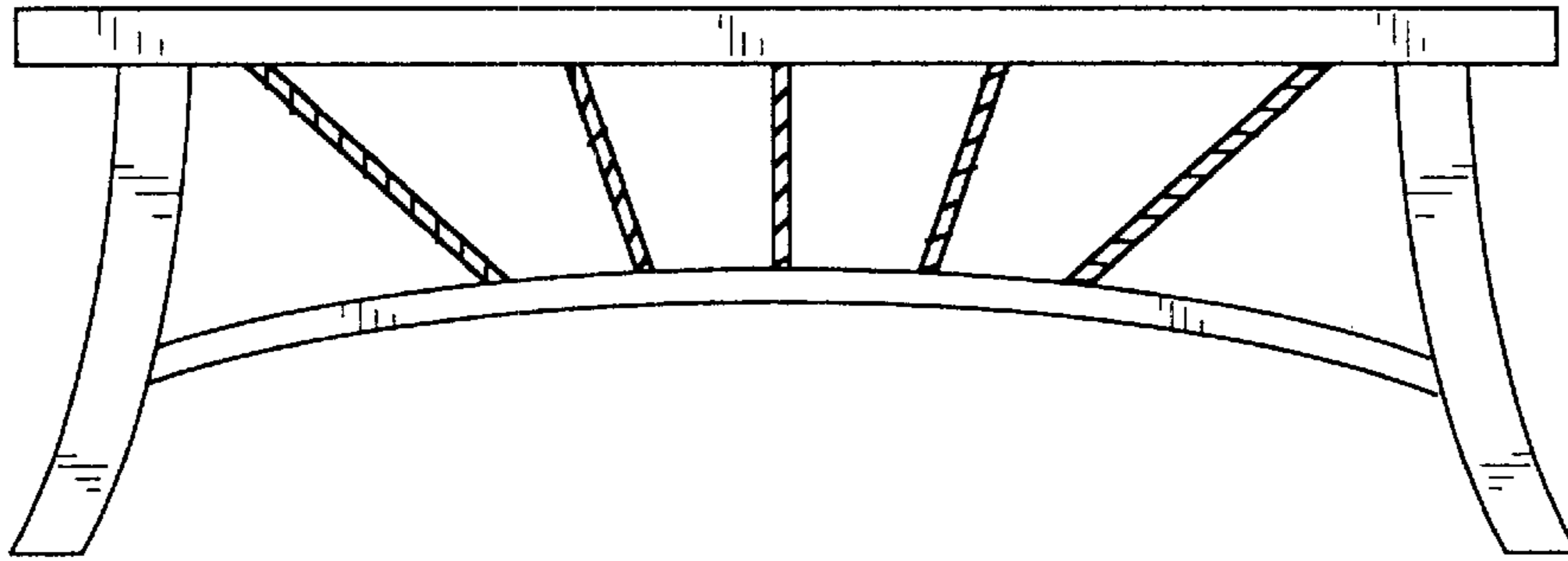


FIG. 4

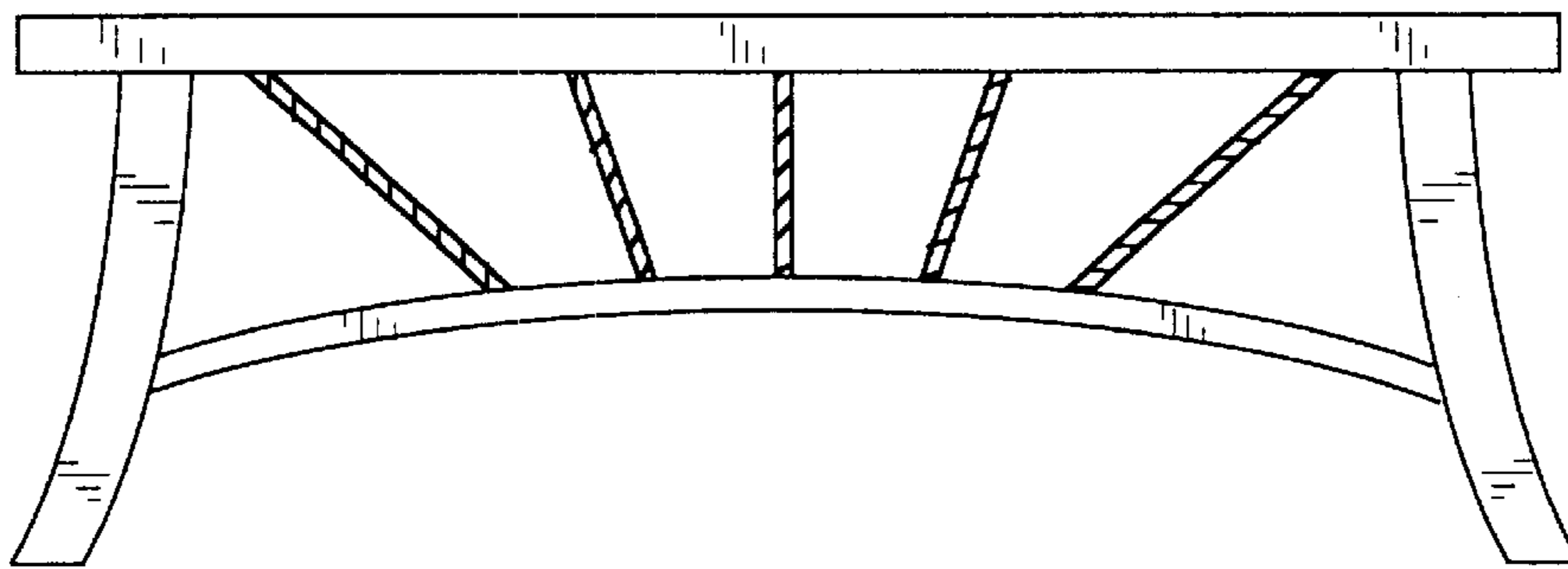


FIG. 5

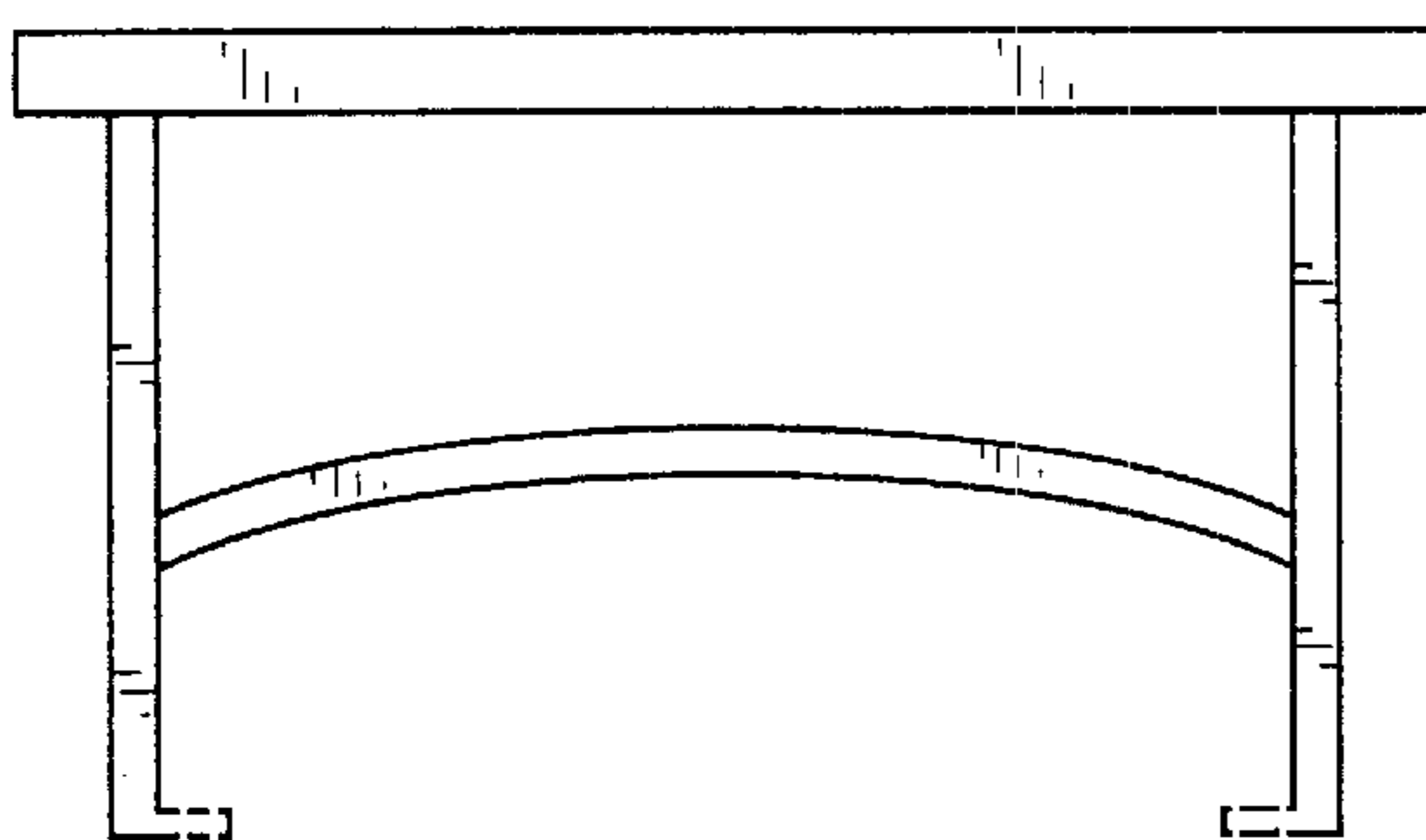


FIG. 6

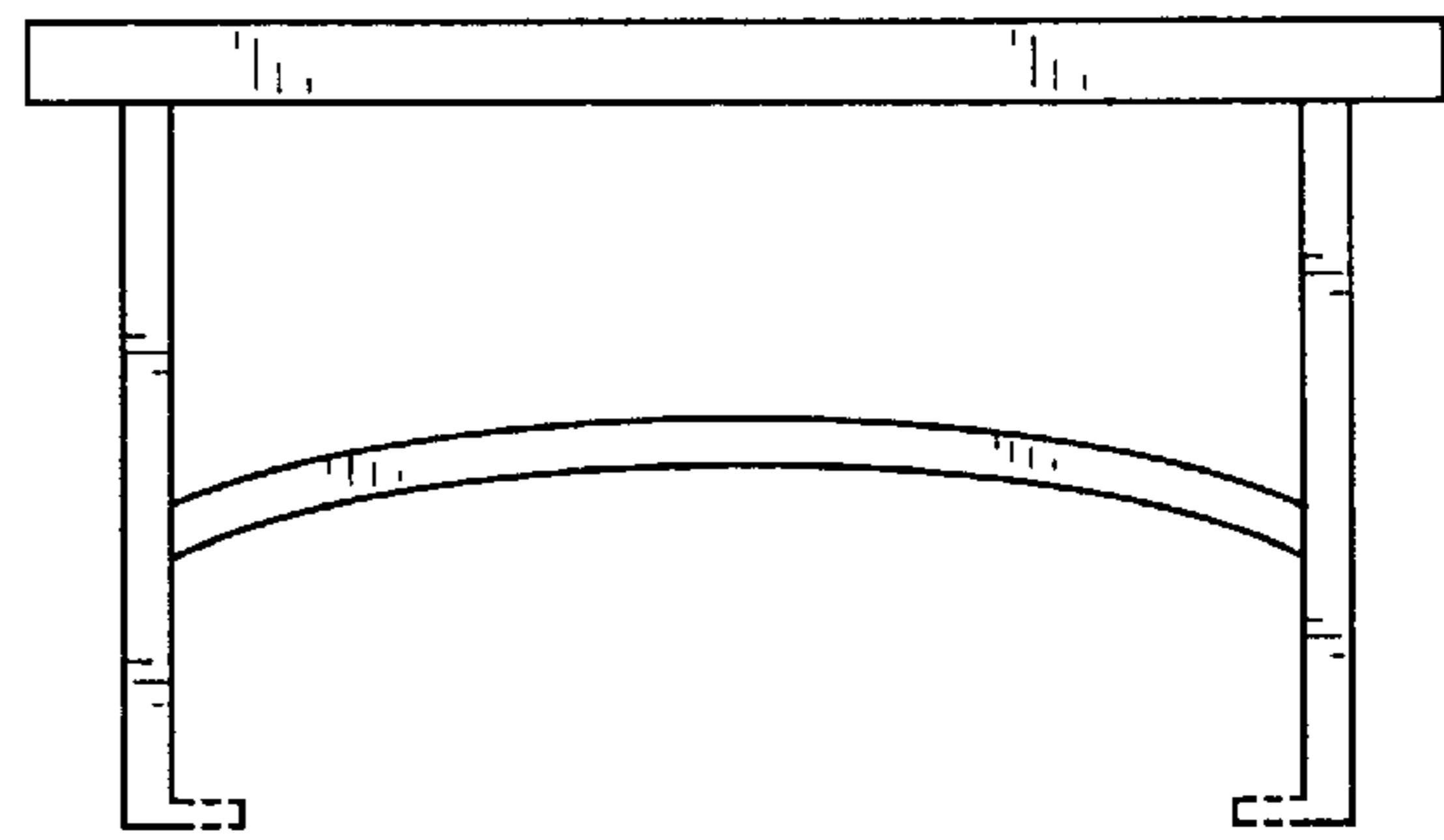


FIG. 7

UNITED STATES PATENT AND TRADEMARK OFFICE  
**CERTIFICATE OF CORRECTION**

PATENT NO. : Des. 461,336 S  
DATED : August 13, 2002  
INVENTOR(S) : Carl A. Slear et al.

Page 1 of 1

It is certified that error appears in the above-identified patent and that said Letters Patent is hereby corrected as shown below:

Title page,

Item [56], **References Cited**, "Dehling" should read -- Oehling --.

DESCRIPTION, lines 1-2, "site furniture showing our new design" should read -- site furniture in the form of a table showing our new design --.

Signed and Sealed this

Twenty-first Day of January, 2003

A handwritten signature in black ink, appearing to read "James E. Rogan", written over a horizontal line.

JAMES E. ROGAN  
*Director of the United States Patent and Trademark Office*