



US00D461332S

(12) **United States Design Patent**
Cheung

(10) **Patent No.:** **US D461,332 S**

(45) **Date of Patent:** **** Aug. 13, 2002**

(54) **WIRE WREATH HOLDER**

(75) **Inventor:** **Ka Wai (Michael) Cheung**, Kowloon (HK)

(73) **Assignee:** **Atico International USA, Inc.**, Ft. Lauderdale, FL (US)

(**) **Term:** **14 Years**

(21) **Appl. No.:** **29/152,578**

(22) **Filed:** **Dec. 27, 2001**

(51) **LOC (7) Cl.** **06-04**

(52) **U.S. Cl.** **D6/462; D6/466**

(58) **Field of Search** D6/407, 629, 630, D6/631, 410-415, 449, 458, 459, 460-468; D11/130; 108/59, 76, 91, 92, 102, 106, 108, 132; 206/307, 307.1, 308.1, 310, 387.15; 211/13.1, 34, 36-38, 40-41.12, 55-58, 74, 77, 78, 85.6, 126.9, 134, 144, 163, 181.1, 194; 248/97, 99, 100, 175; 312/9.1, 9.47-9.64, 348.3

(56) **References Cited**

U.S. PATENT DOCUMENTS

D252,779 S * 9/1979 Mogelhoj D6/462
4,175,602 A * 11/1979 Cavalaris et al. 248/97 X

5,018,691 A * 5/1991 King 248/99
D424,265 S * 5/2000 Rosky D6/462 X
D439,077 S * 3/2001 Knauf D6/462

* cited by examiner

Primary Examiner—Cathron C. Brooks

(74) *Attorney, Agent, or Firm*—Gibbons, Del Deo, Dolan, Griffinger & Vecchione

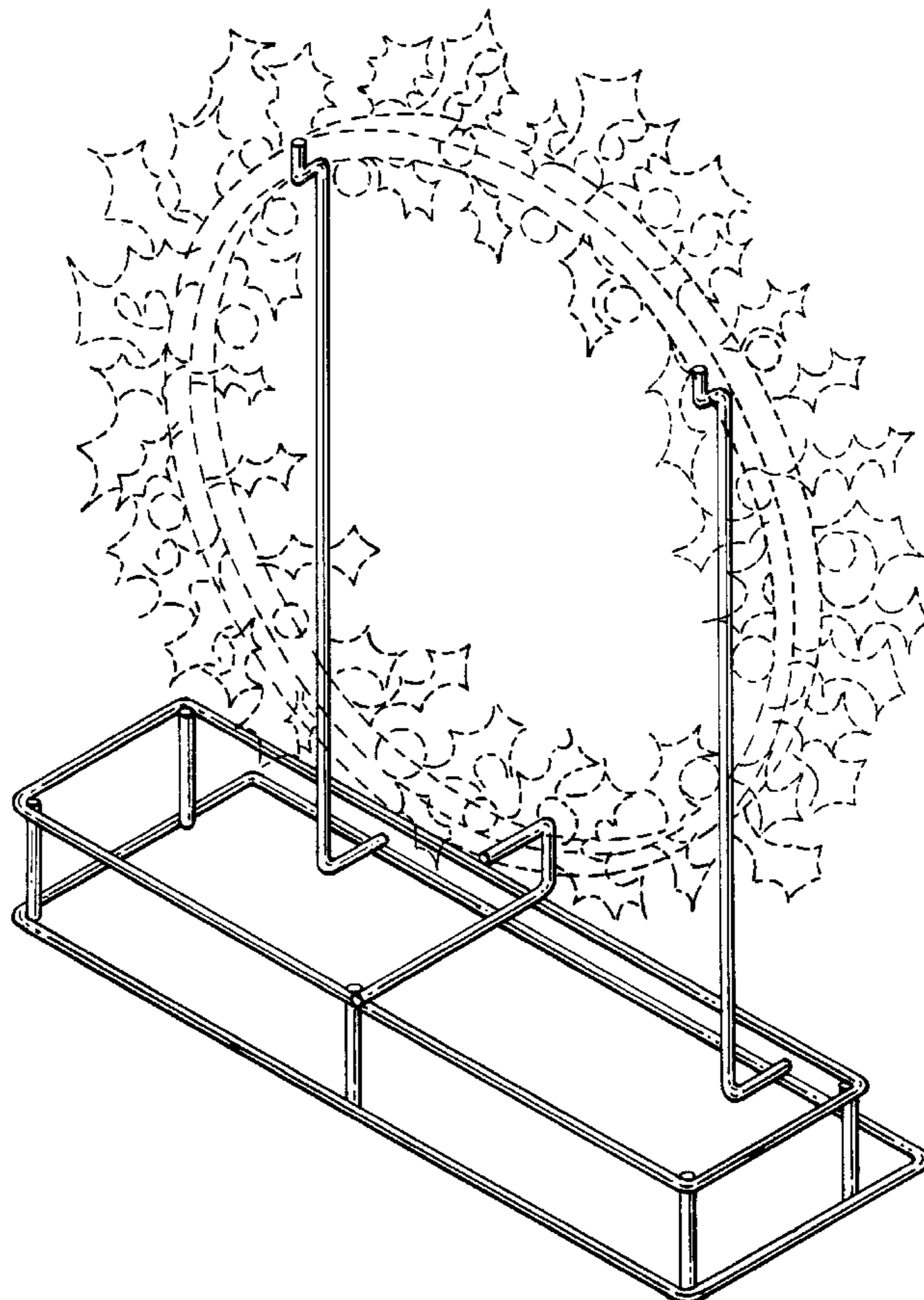
(57) **CLAIM**

The ornamental design for a wire wreath holder, as shown and described.

DESCRIPTION

FIG. 1 is a top, front and right side perspective view of a wire wreath holder in accordance with my invention; FIG. 2 is a top plan view thereof; FIG. 3 is a left side view thereof that is a mirror image of the right side thereof; FIG. 4 is a rear view thereof; FIG. 5 is a bottom plan view thereof; and, FIG. 6 is a top, front and right side perspective view of a wire wreath holder in accordance with a second embodiment of my invention; the sole difference residing in the central hook-shaped bar. The broken line showing of a wreath is for illustrative purposes only and forms no part of the claimed design.

1 Claim, 4 Drawing Sheets



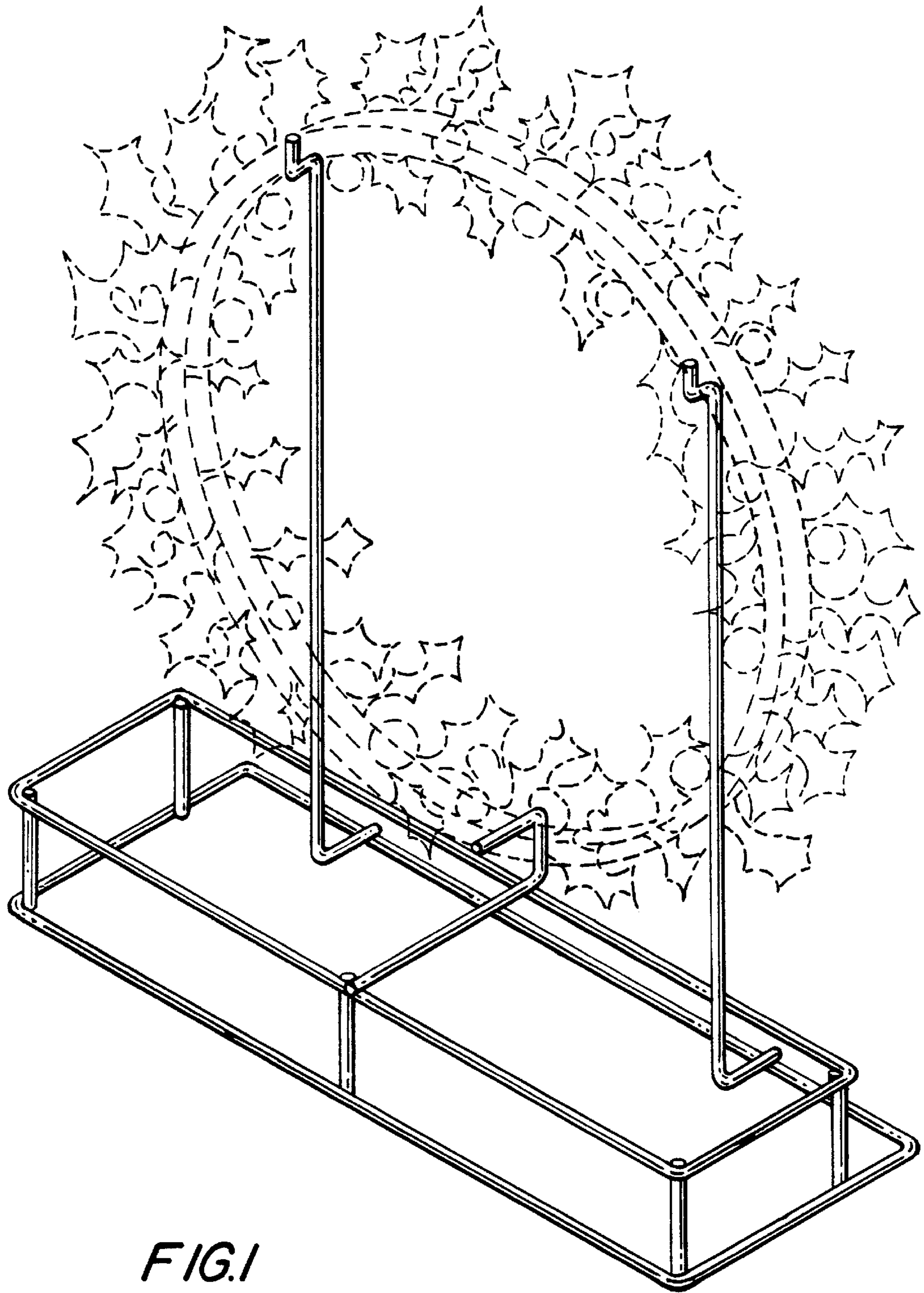


FIG. 1

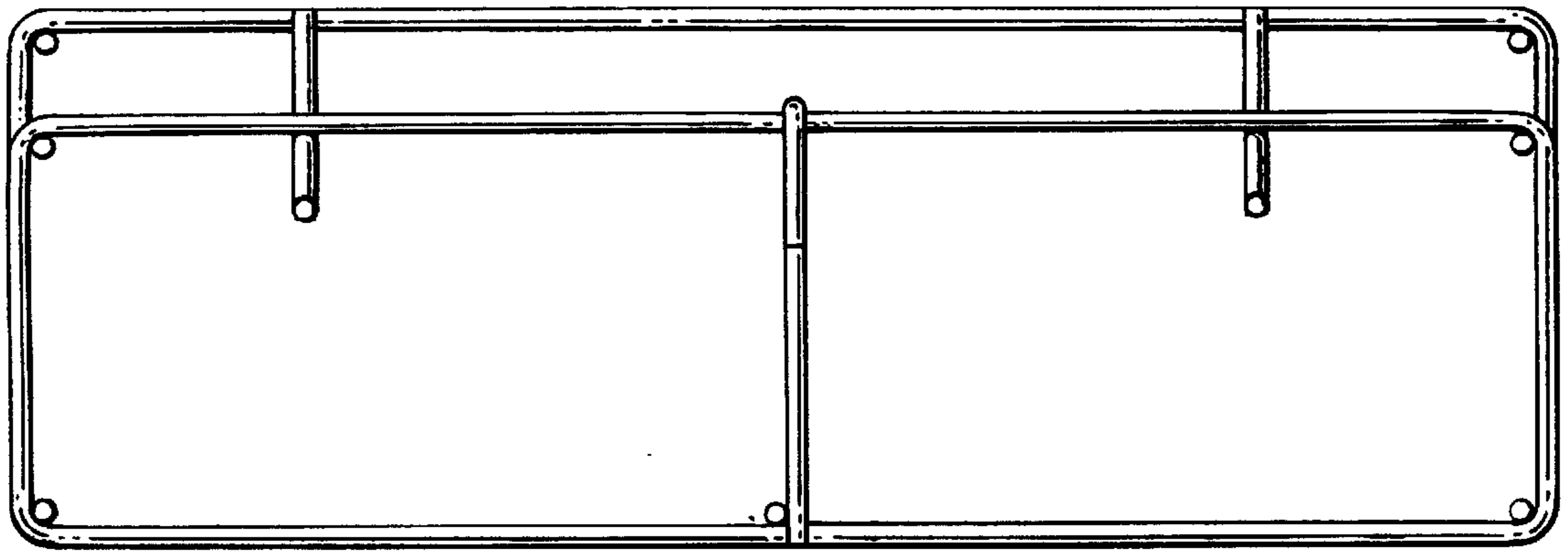


FIG. 2

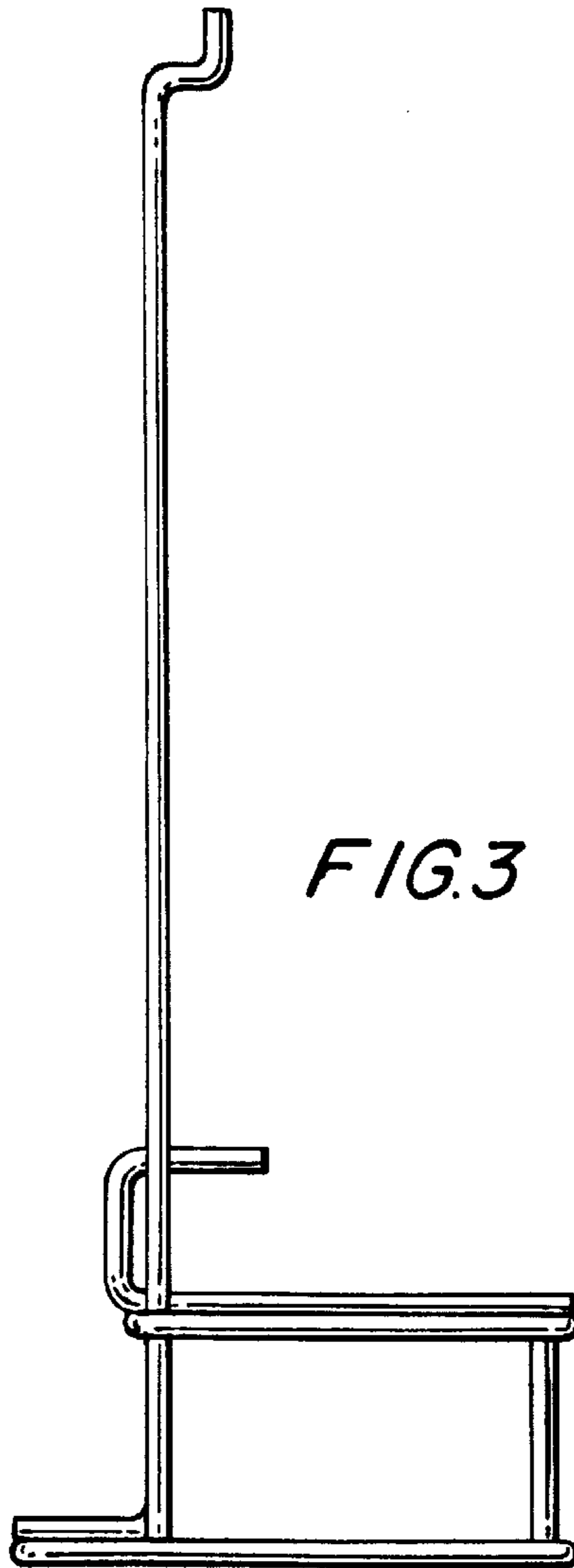


FIG. 3

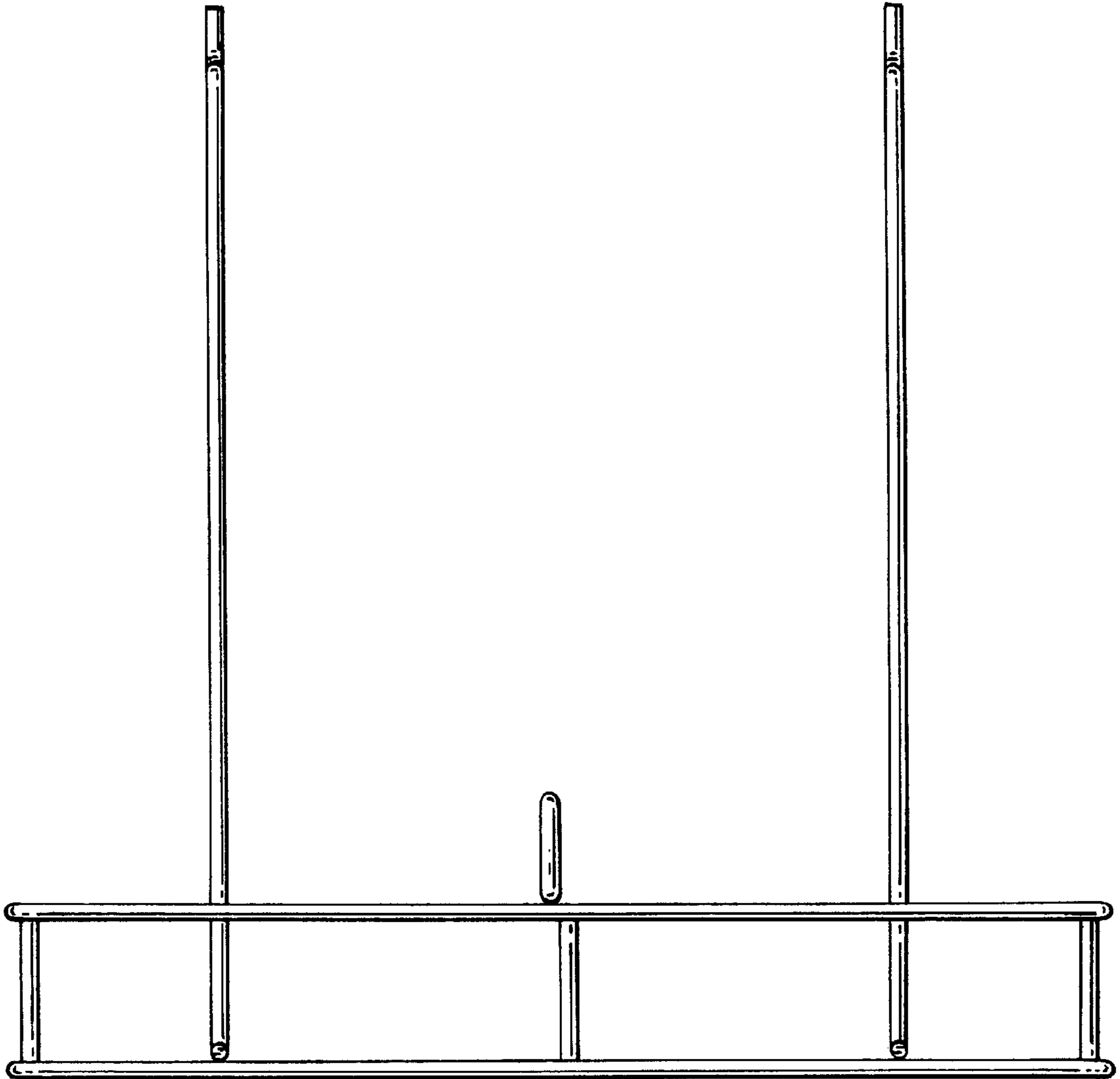


FIG. 4

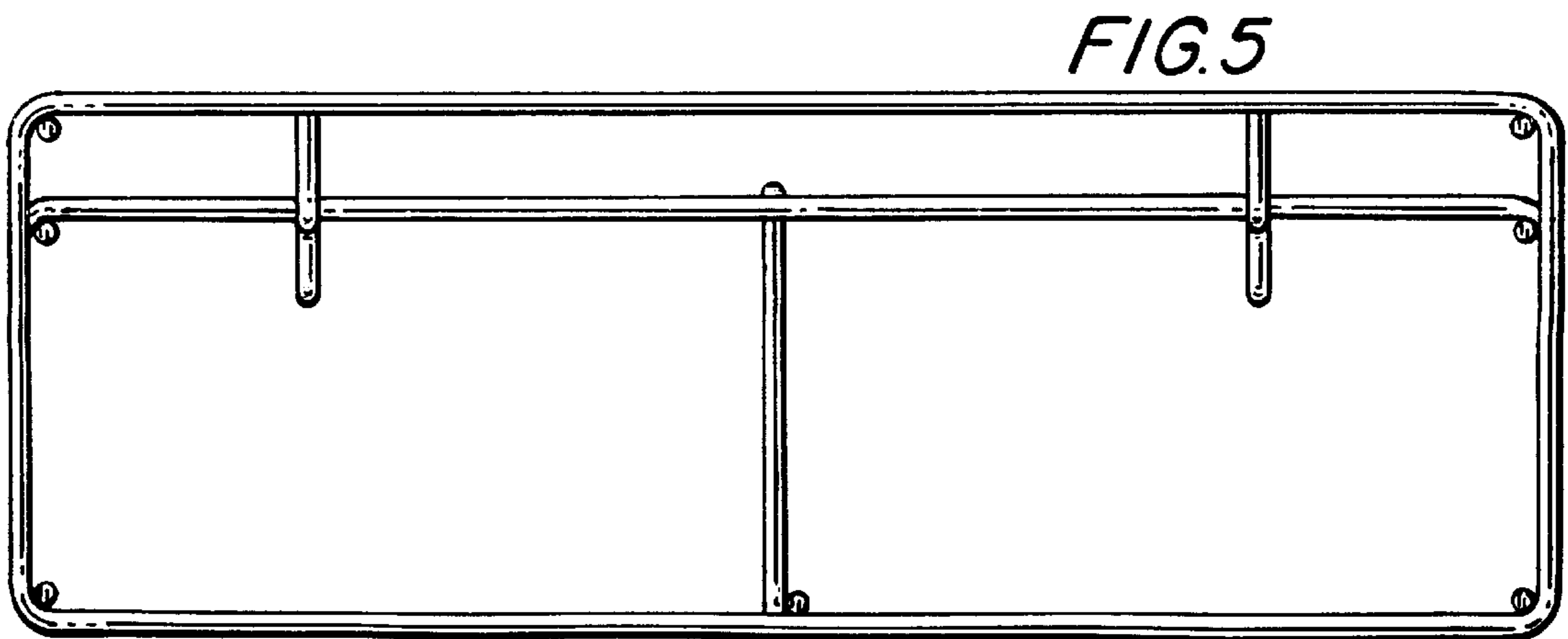


FIG. 5

FIG. 6

