



US00D461330S

(12) **United States Design Patent**
Wang

(10) **Patent No.:** **US D461,330 S**

(45) **Date of Patent:** **** Aug. 13, 2002**

(54) **WORKBENCH**

D384,514 S * 10/1997 Pestone D6/400

(76) Inventor: **Ching Ting Wang**, No. 85, Sui Li Road, Hsinchu City (TW)

* cited by examiner

(**) Term: **14 Years**

Primary Examiner—Janice E. Seeger

(74) *Attorney, Agent, or Firm*—Rosenberg, Klein & Lee

(21) Appl. No.: **29/140,603**

(57) **CLAIM**

(22) Filed: **Apr. 23, 2001**

The ornamental design for a workbench, as shown and described.

(51) **LOC (7) Cl.** **06-01**

DESCRIPTION

(52) **U.S. Cl.** **D6/400; D6/349; D6/484**

(58) **Field of Search** D6/480–489, 511, D6/349, 353, 495–499, 429; 108/153.1, 155, 156, 157.1, 161, 127; 248/188.6

FIG. 1 is a perspective view of a workbench showing my new design;

FIG. 2 is a front elevational view thereof;

FIG. 3 is a rear elevational view thereof;

FIG. 4 is a top plan view thereof;

FIG. 5 is a bottom plan view thereof;

FIG. 6 is a left side elevational view thereof; and,

FIG. 7 is a right side elevational view thereof.

(56) **References Cited**

U.S. PATENT DOCUMENTS

- D279,238 S * 6/1985 Ferdinand et al. D6/350
- D295,001 S * 4/1988 Ferdinand et al. D6/336
- D298,786 S * 12/1988 Wilkinson D6/367

1 Claim, 5 Drawing Sheets

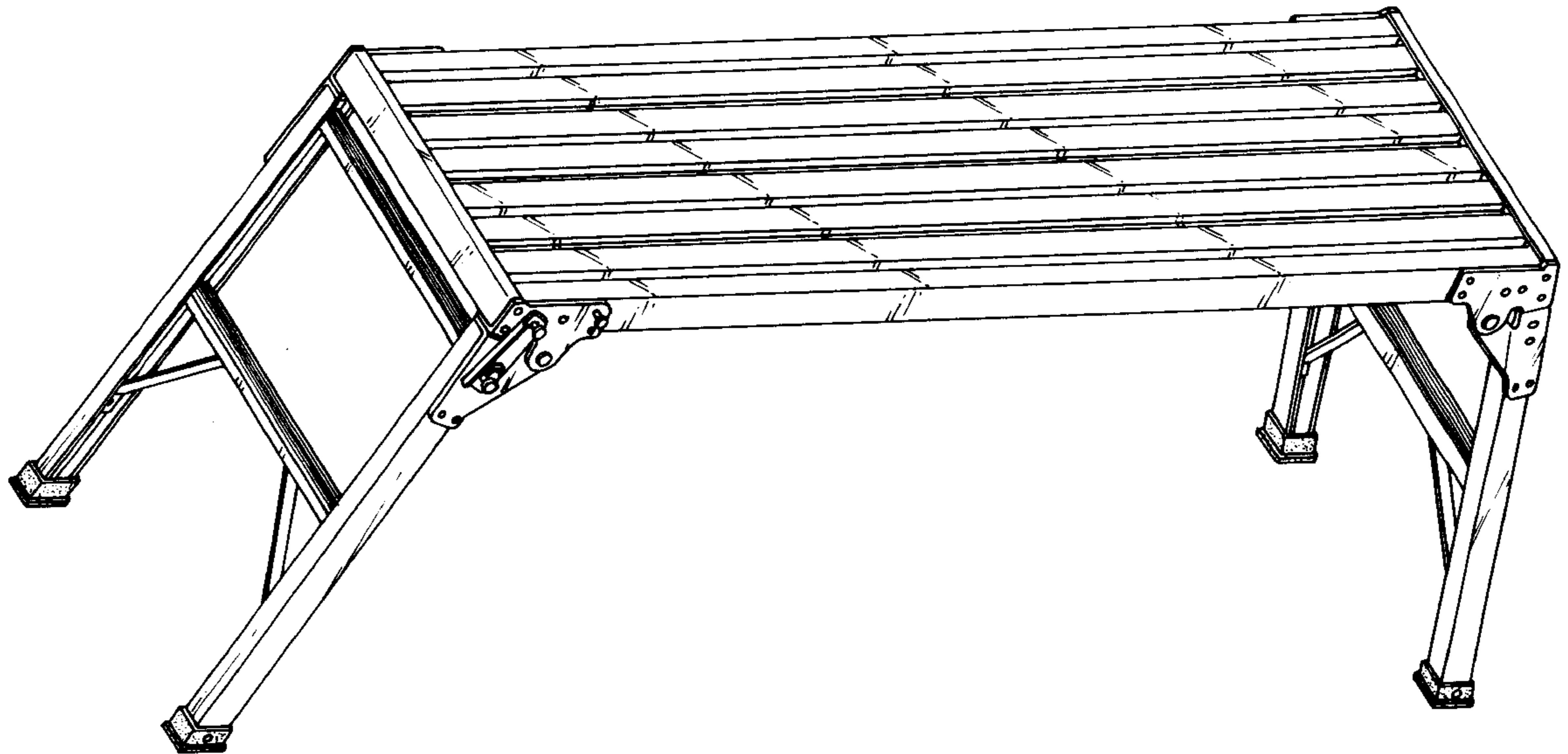




FIG. 1

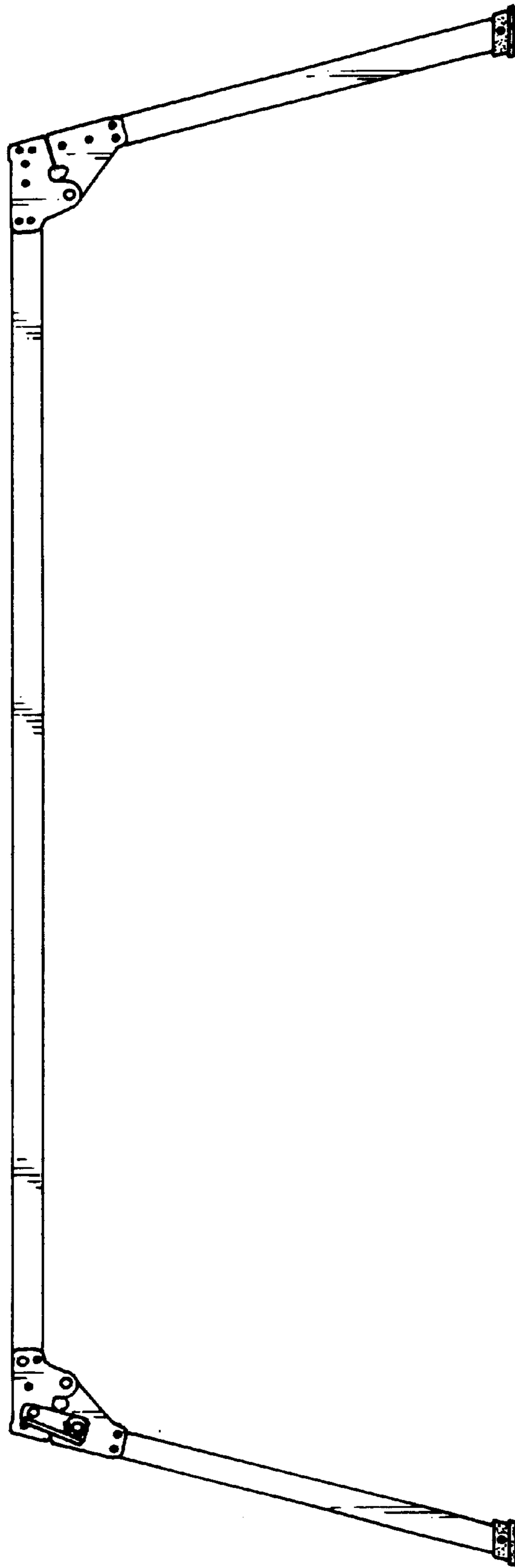


FIG. 2

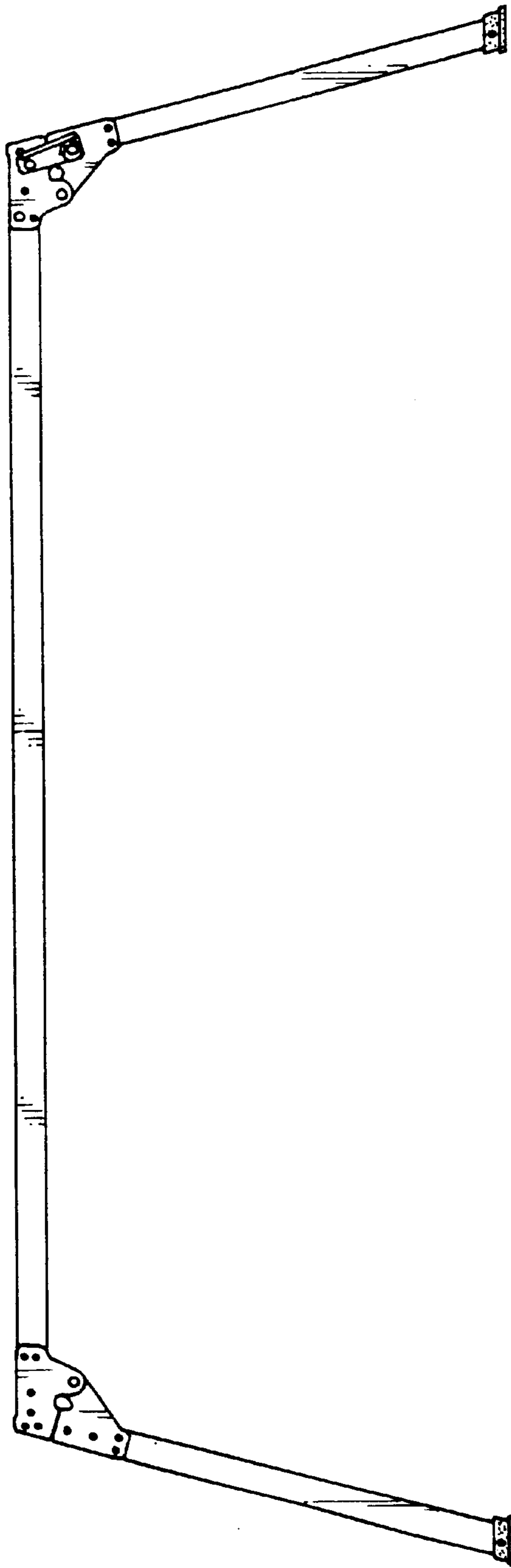


FIG. 3

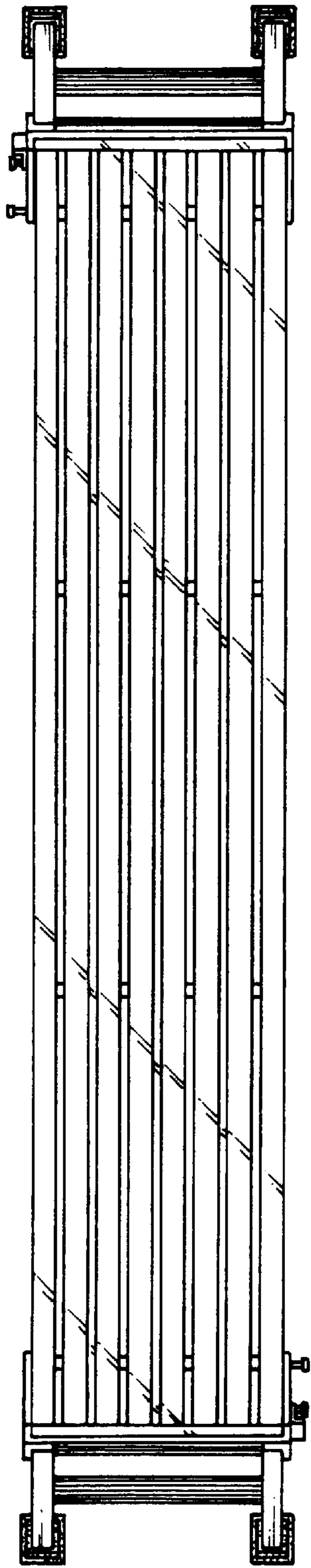


FIG. 4

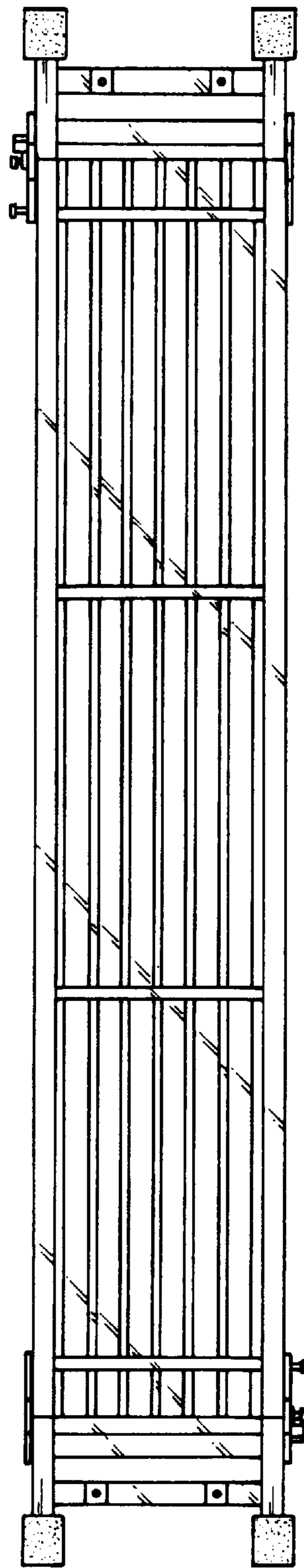


FIG. 5

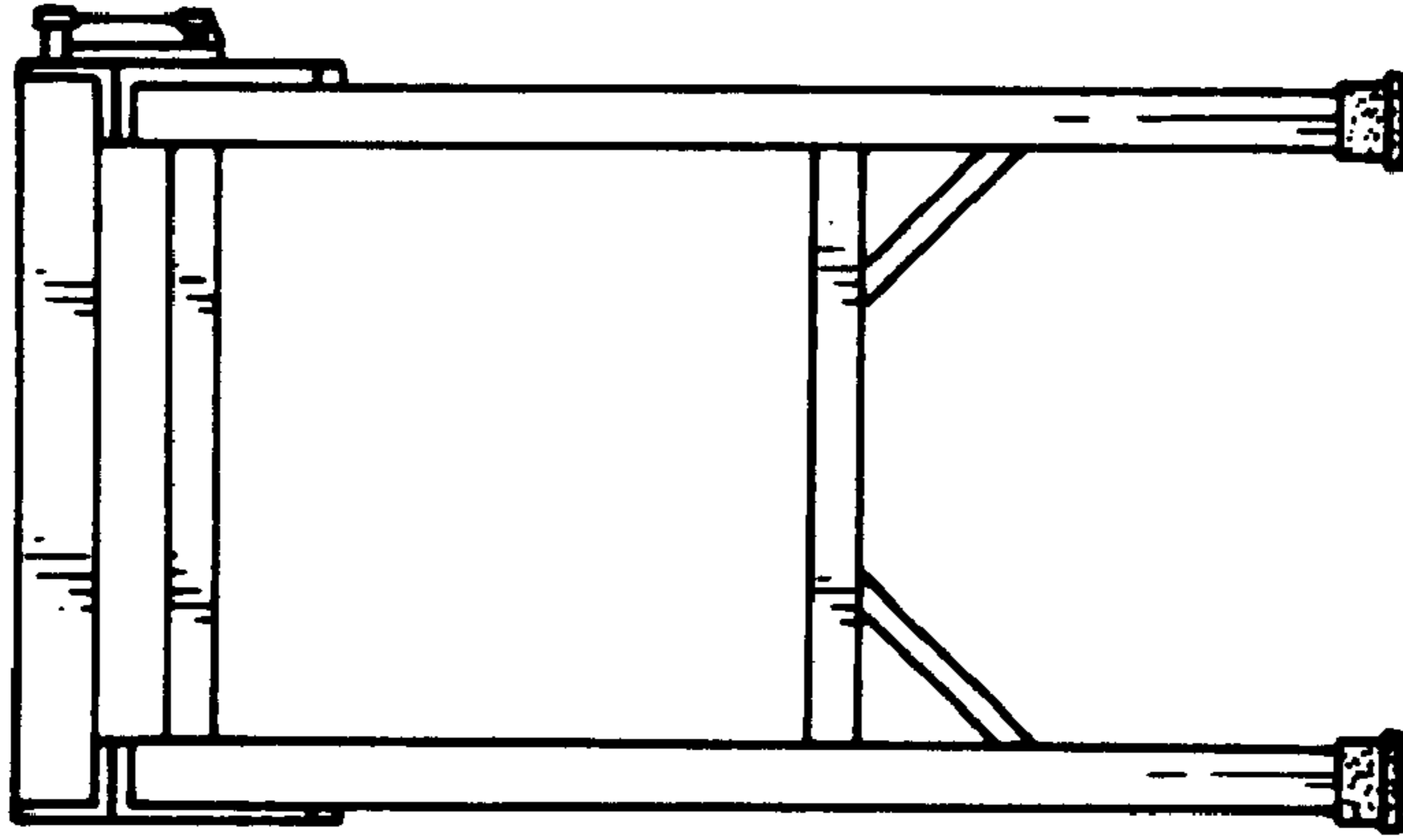


FIG. 6

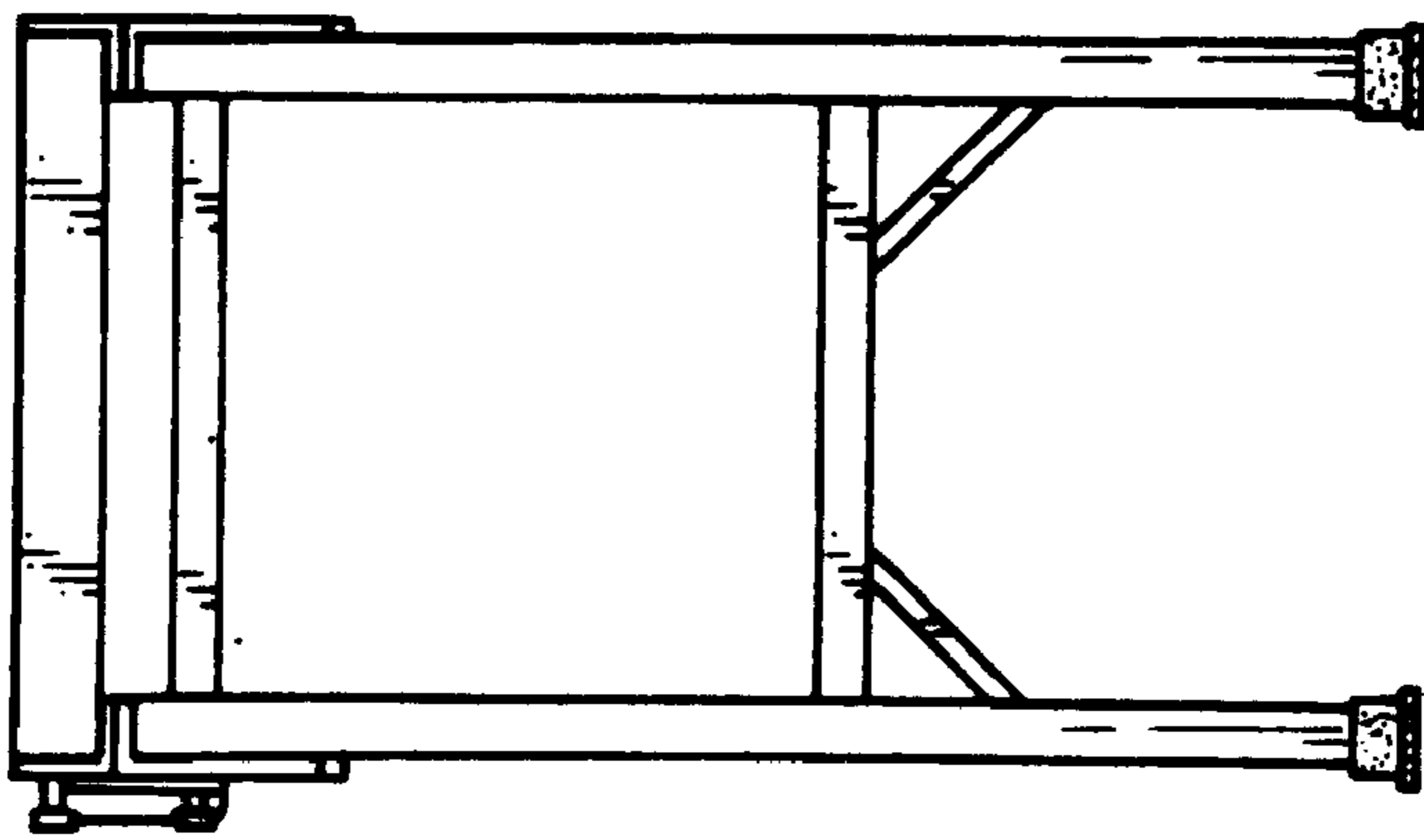


FIG. 7