



US00D461324S

(12) **United States Design Patent**
Opsvik

(10) **Patent No.:** **US D461,324 S**

(45) **Date of Patent:** **** Aug. 13, 2002**

(54) **CHAIR**

5,490,715 A * 2/1996 Posvik 297/270.1

(76) Inventor: **Peter Opsvik**, Pilestredet 27 H, Oslo,
N-0164 (NO)

* cited by examiner

(**) Term: **14 Years**

Primary Examiner—Doris V. Coles

Assistant Examiner—Mimosa De

(21) Appl. No.: **29/153,718**

(74) *Attorney, Agent, or Firm*—Volpe & Koenig, P.C.

(22) Filed: **Jan. 10, 2002**

(57) **CLAIM**

The ornamental design for a chair, as shown and described.

Related U.S. Application Data

DESCRIPTION

(62) Division of application No. 29/130,388, filed on Sep. 29,
2000.

FIG. 1 is a perspective view of a chair in accordance with the
inventive design;

(51) **LOC (7) Cl.** **06-01**

FIG. 2 is a top plan view thereof;

(52) **U.S. Cl.** **D6/367; D6/348**

FIG. 3 is a front elevational view thereof;

(58) **Field of Search** D6/333, 334, 335,
D6/336, 339, 348, 367, 370, 371, 372,
379, 380, 500-502; 297/258.1, 259.1, 270.1,
271.5, 271.6, 281, 338, 411.28

FIG. 4 is a rear elevational view thereof;

FIG. 5 is a left side elevational view thereof, the right side
elevational view being a mirror image; and,

FIG. 6 is a bottom plan view thereof.

(56) **References Cited**

U.S. PATENT DOCUMENTS

D289,347 S * 4/1987 Halme D6/370

1 Claim, 3 Drawing Sheets

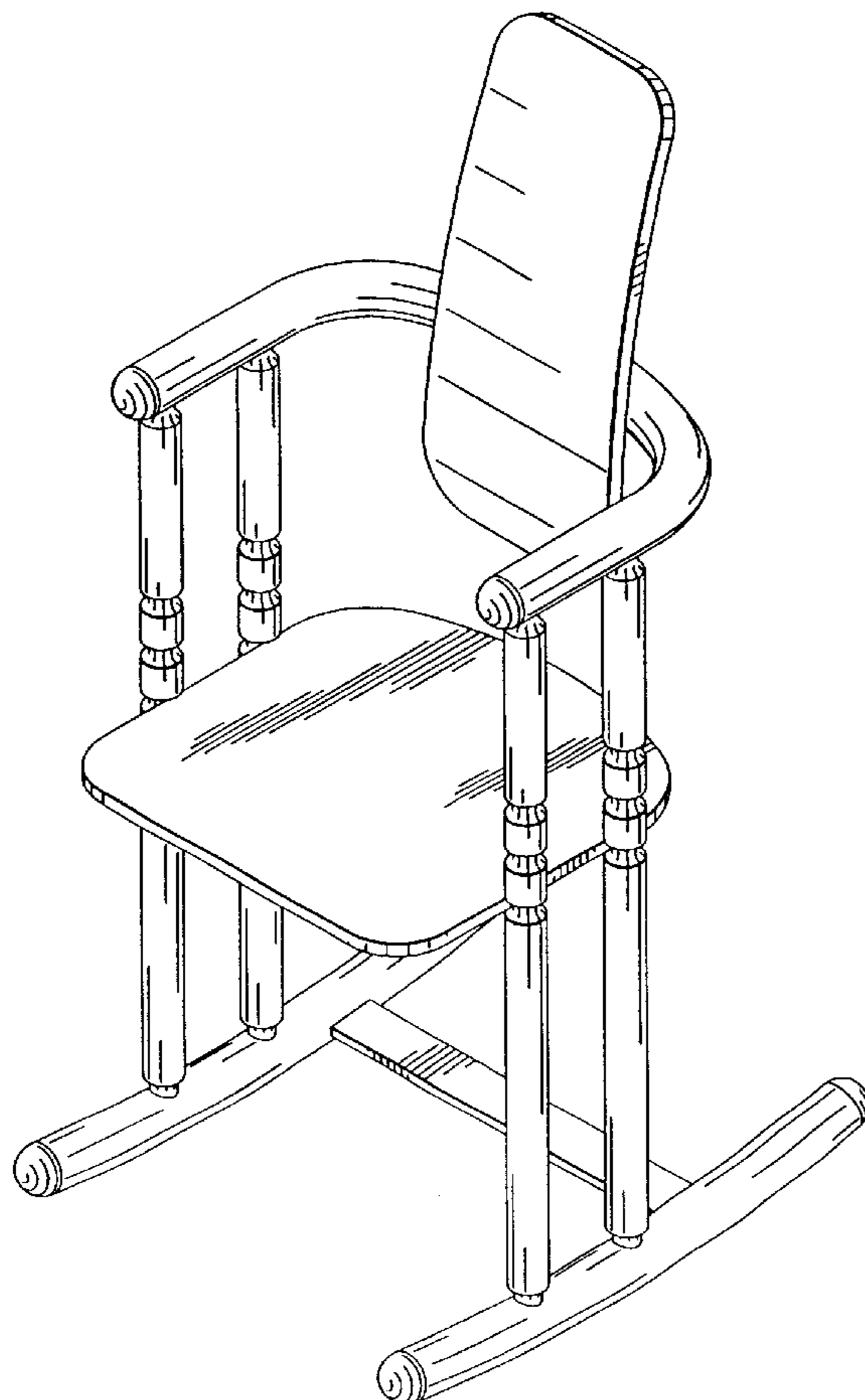


FIG. 1

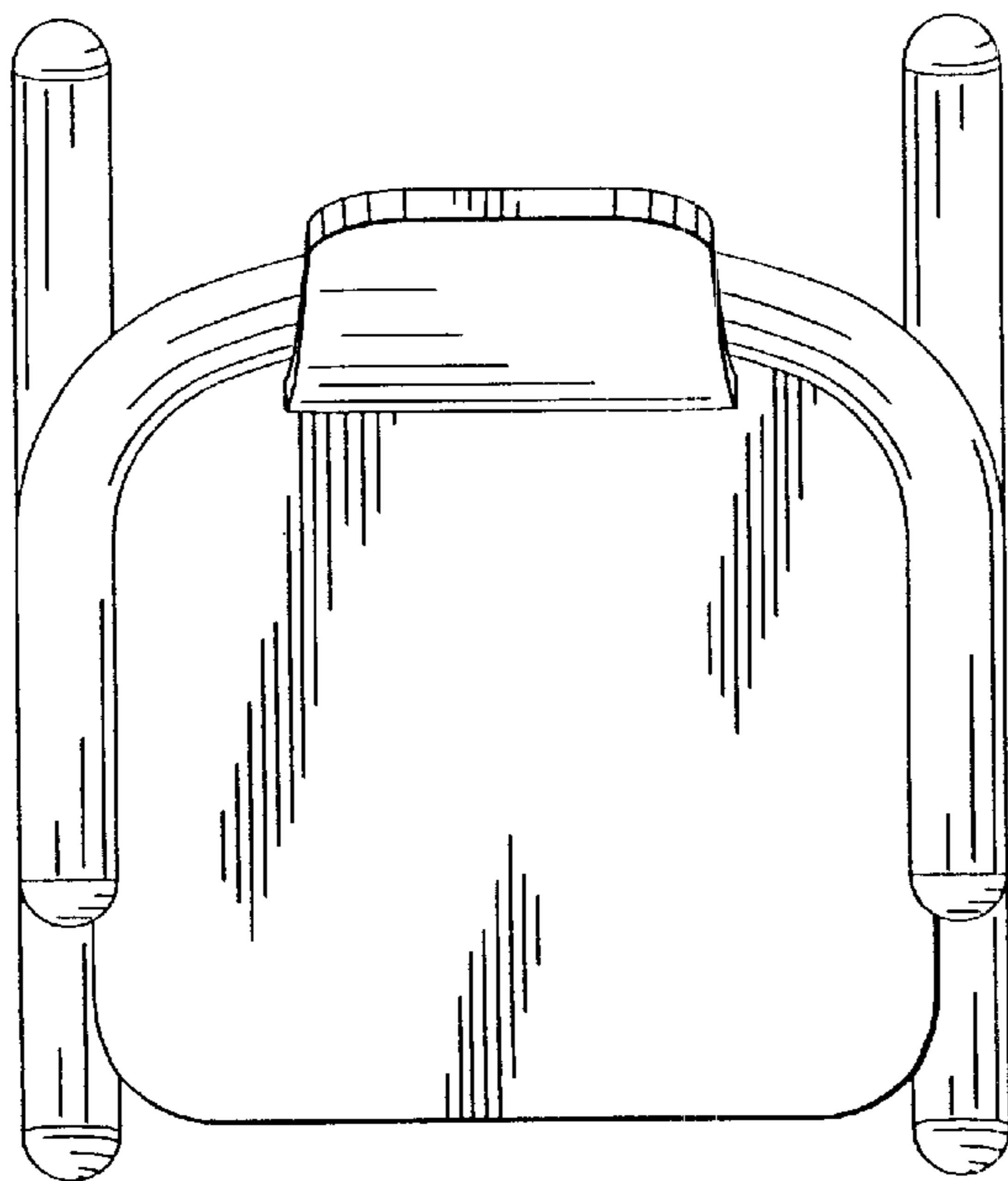
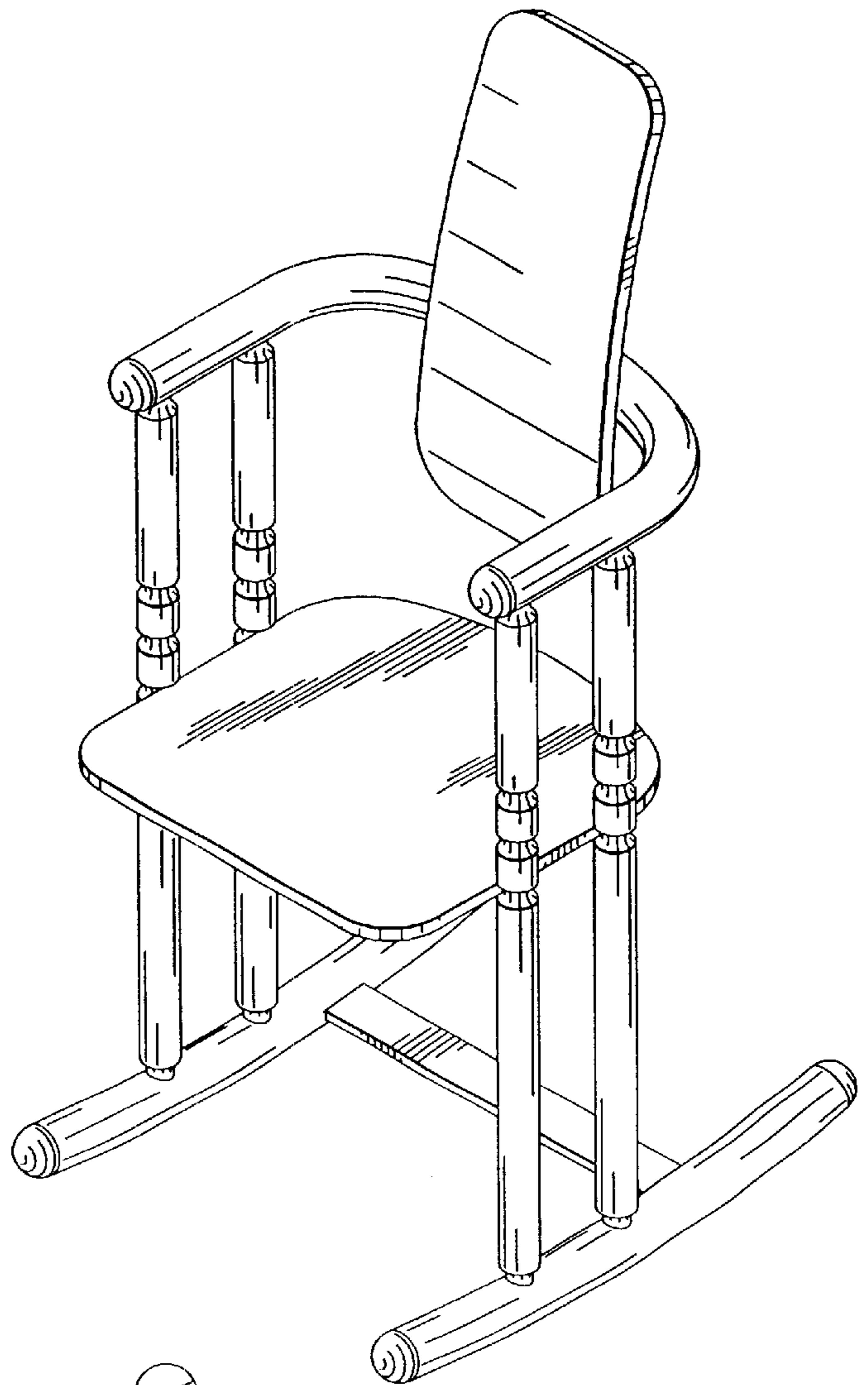


FIG. 2

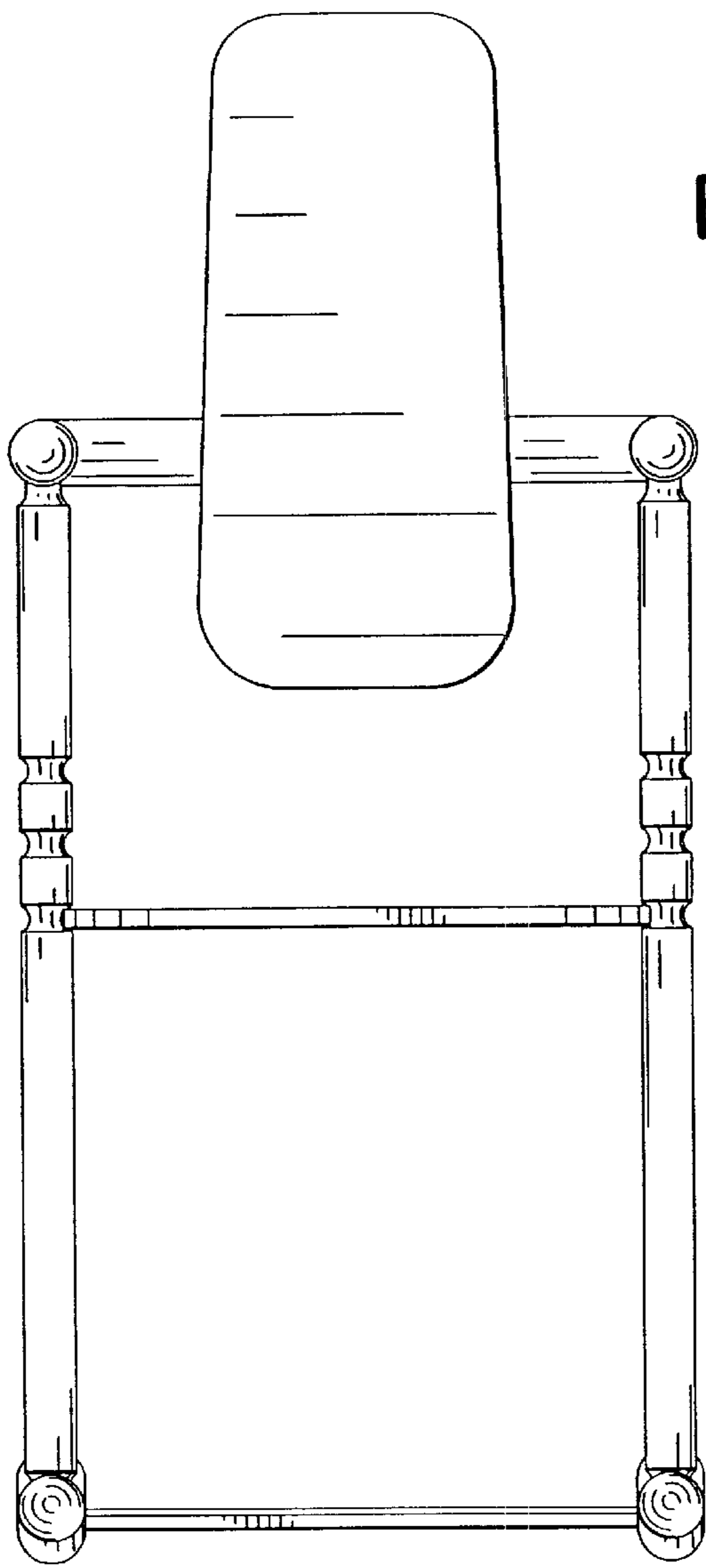


FIG. 3

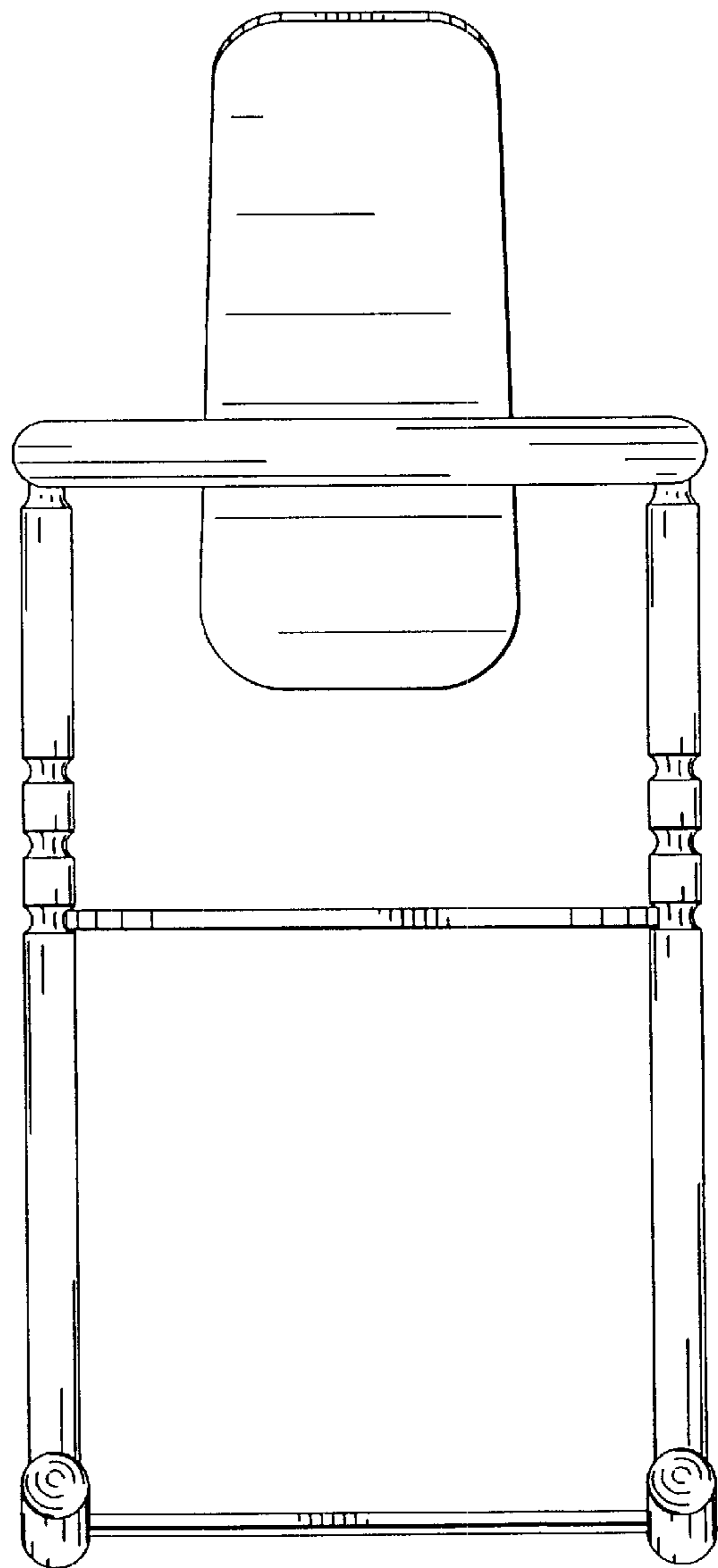


FIG. 4

FIG. 5

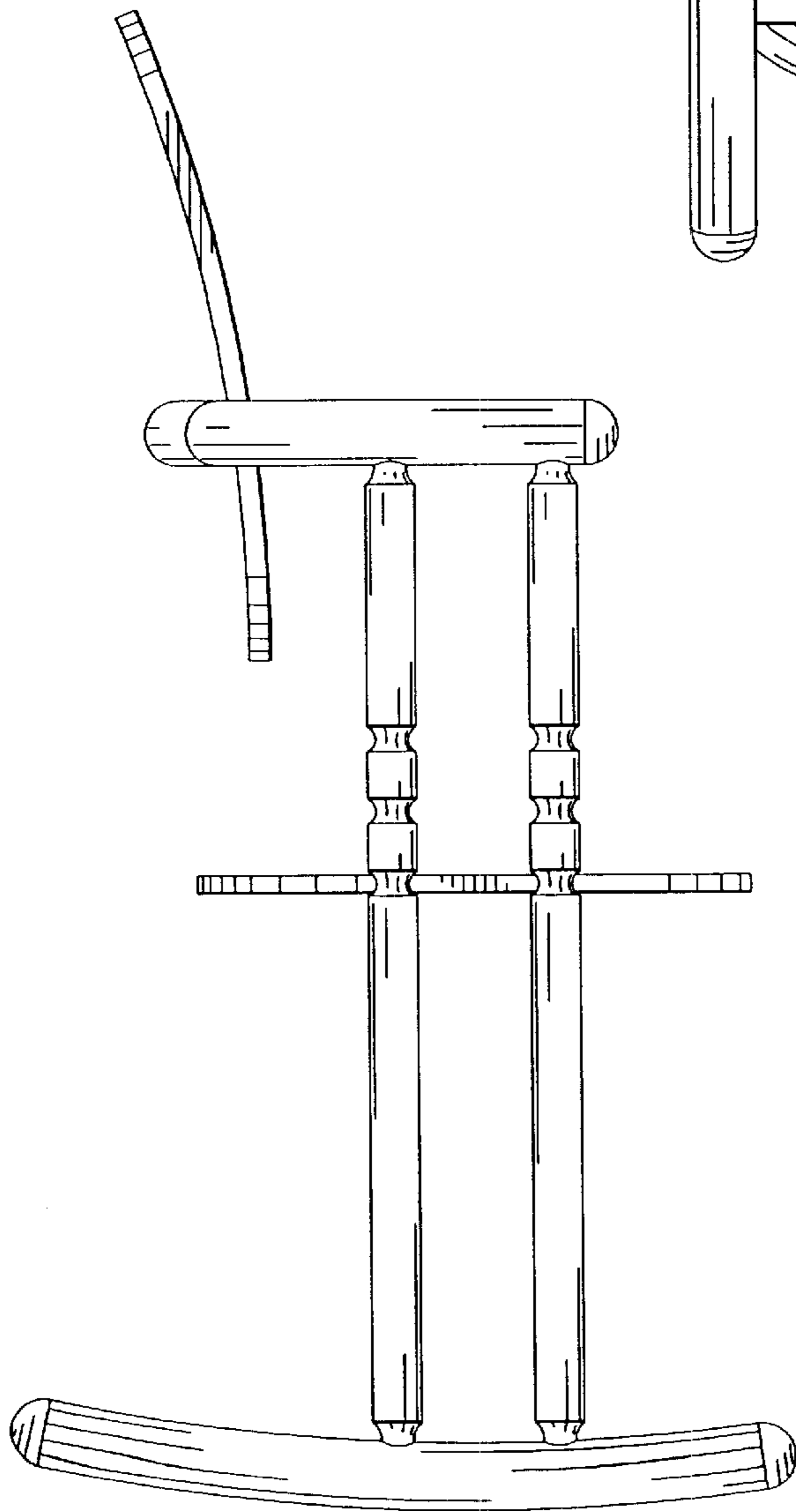
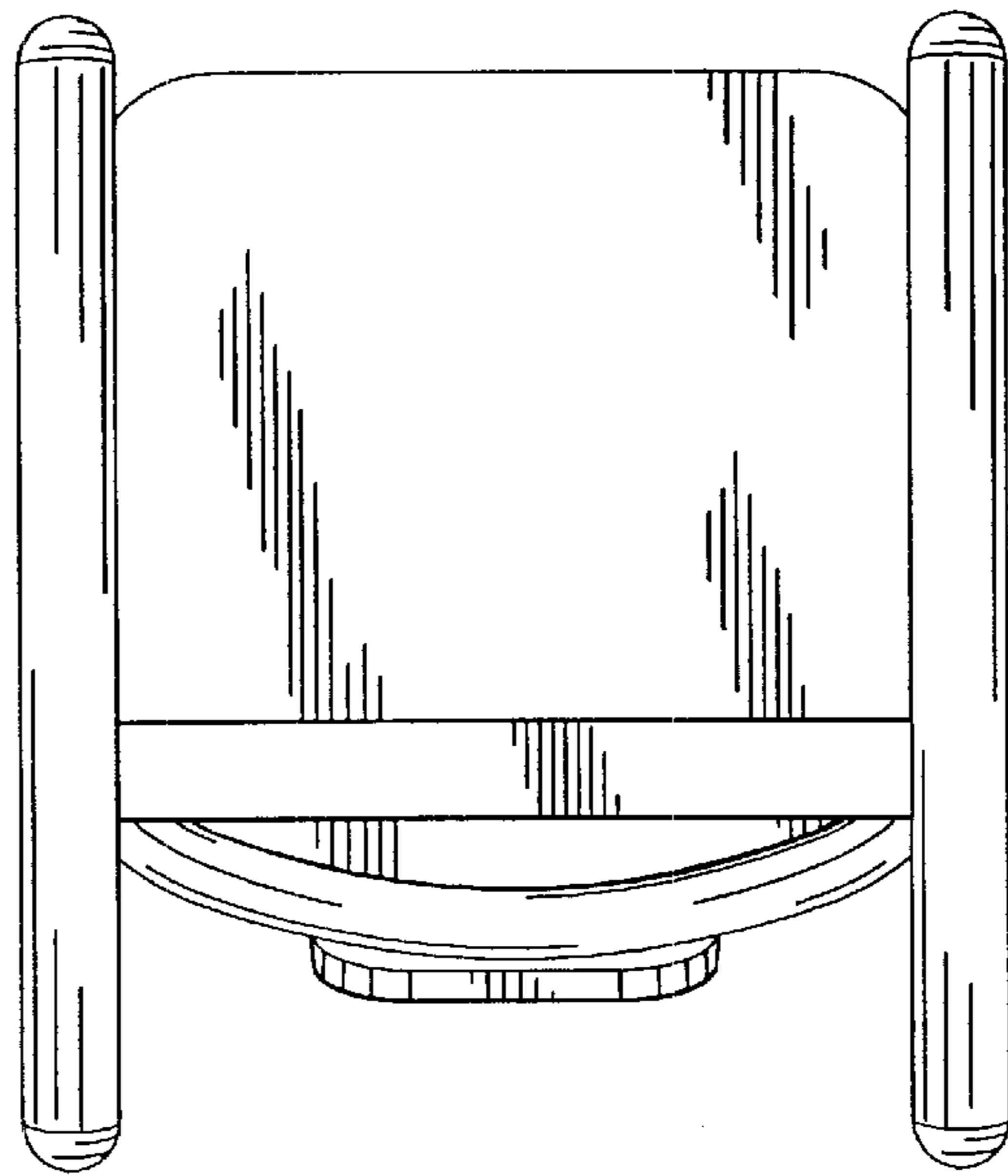


FIG. 6



UNITED STATES PATENT AND TRADEMARK OFFICE
CERTIFICATE OF CORRECTION

PATENT NO. : Des. 461,324 S
DATED : August 13, 2002
INVENTOR(S) : Peter Opsvik

Page 1 of 1

It is certified that error appears in the above-identified patent and that said Letters Patent is hereby corrected as shown below:

Title page,

Item [56], **References Cited**, U.S. PATENT DOCUMENTS, "5,490,715", delete "Posvik" and insert therefor -- Opsvik --.

Signed and Sealed this

Twenty-eighth Day of January, 2003

A handwritten signature in black ink, appearing to read "James E. Rogan", with a horizontal line drawn underneath it.

JAMES E. ROGAN
Director of the United States Patent and Trademark Office