



US00D461322S

(12) **United States Design Patent**
Holbrook et al.

(10) **Patent No.:** **US D461,322 S**
(45) **Date of Patent:** **** Aug. 13, 2002**

- (54) **CHAIR**
- (75) Inventors: **Richard M. Holbrook**, Altadena;
Darren M. Mark, Valencia, both of CA
(US)
- (73) Assignee: **Virco Mgmt. Corporation**, Torrance,
CA (US)
- (**) Term: **14 Years**
- (21) Appl. No.: **29/148,832**
- (22) Filed: **Sep. 26, 2001**
- (51) **LOC (7) Cl.** **06-01**
- (52) **U.S. Cl.** **D6/366**
- (58) **Field of Search** D6/334, 364, 365,
D6/366, 367, 374, 380, 500, 501, 502;
297/411.2, 452.46

- 5,207,479 A 5/1993 Wickman et al.
- 5,320,410 A 6/1994 Faiks et al.
- D369,689 S * 5/1996 Locher D6/366
- 5,567,012 A 10/1996 Knoblock
- 5,577,807 A 11/1996 Hodge et al.
- 5,630,647 A 5/1997 Heidmann et al.
- D383,322 S * 9/1997 Dammermann et al. D6/366
- 5,683,139 A 11/1997 Golynsky et al.
- D390,385 S * 2/1998 Dammermann et al. D6/500
- 5,725,277 A 3/1998 Knoblock
- D393,755 S 4/1998 Nemeth, Jr.
- 5,765,914 A 6/1998 Britain et al.
- 5,810,439 A 9/1998 Roslund, Jr.
- 5,909,924 A 6/1999 Roslund, Jr.
- D413,214 S 8/1999 Chu
- 5,951,109 A 9/1999 Roslund, Jr. et al.
- 5,957,534 A 9/1999 Wilkerson et al.
- 5,979,984 A 11/1999 Dekraker et al.
- 6,015,187 A 1/2000 Roslund, Jr. et al.
- D420,538 S * 2/2000 Arko et al. D6/500
- 6,027,169 A 2/2000 Roslund, Jr.
- D423,241 S * 4/2000 Magnusson et al. D6/366
- D437,702 S 2/2001 Koepke et al.
- D442,400 S * 5/2001 Simons, Jr. et al. D6/500
- D445,580 S * 7/2001 Pennington et al. D6/366

(56) **References Cited**
U.S. PATENT DOCUMENTS

- D260,216 S 8/1981 Buhk
- D266,722 S 11/1982 Stephens
- D273,918 S 5/1984 Keeler
- D275,060 S 8/1984 Buhk
- D275,720 S 10/1984 Buhk
- D289,120 S 4/1987 Chadwick et al.
- D295,347 S 4/1988 Chadwick et al.
- D295,588 S * 5/1988 Heitlinger et al. D6/374 X
- D296,394 S 6/1988 Chadwick et al.
- 4,752,101 A 6/1988 Yurchenco et al.
- D296,623 S 7/1988 Chadwick et al.
- D299,192 S 1/1989 Chadwick et al.
- 4,796,950 A 1/1989 Mrotz, III et al.
- 4,818,019 A 4/1989 Mrotz, III
- 4,865,384 A 9/1989 Desanta
- D315,998 S 4/1991 Edwards
- 5,026,117 A 6/1991 Faiks et al.
- 5,042,876 A 8/1991 Faiks
- 5,106,157 A 4/1992 Nagelkirk et al.
- D326,369 S * 5/1992 Buchacz D6/366
- D326,577 S 6/1992 Edwards
- 5,160,184 A 11/1992 Faiks et al.
- 5,192,114 A 3/1993 Hollington et al.
- 5,203,853 A 4/1993 Caruso

* cited by examiner

Primary Examiner—Gary D. Watson
(74) *Attorney, Agent, or Firm*—Sheldon & Mak; Denton L. Anderson

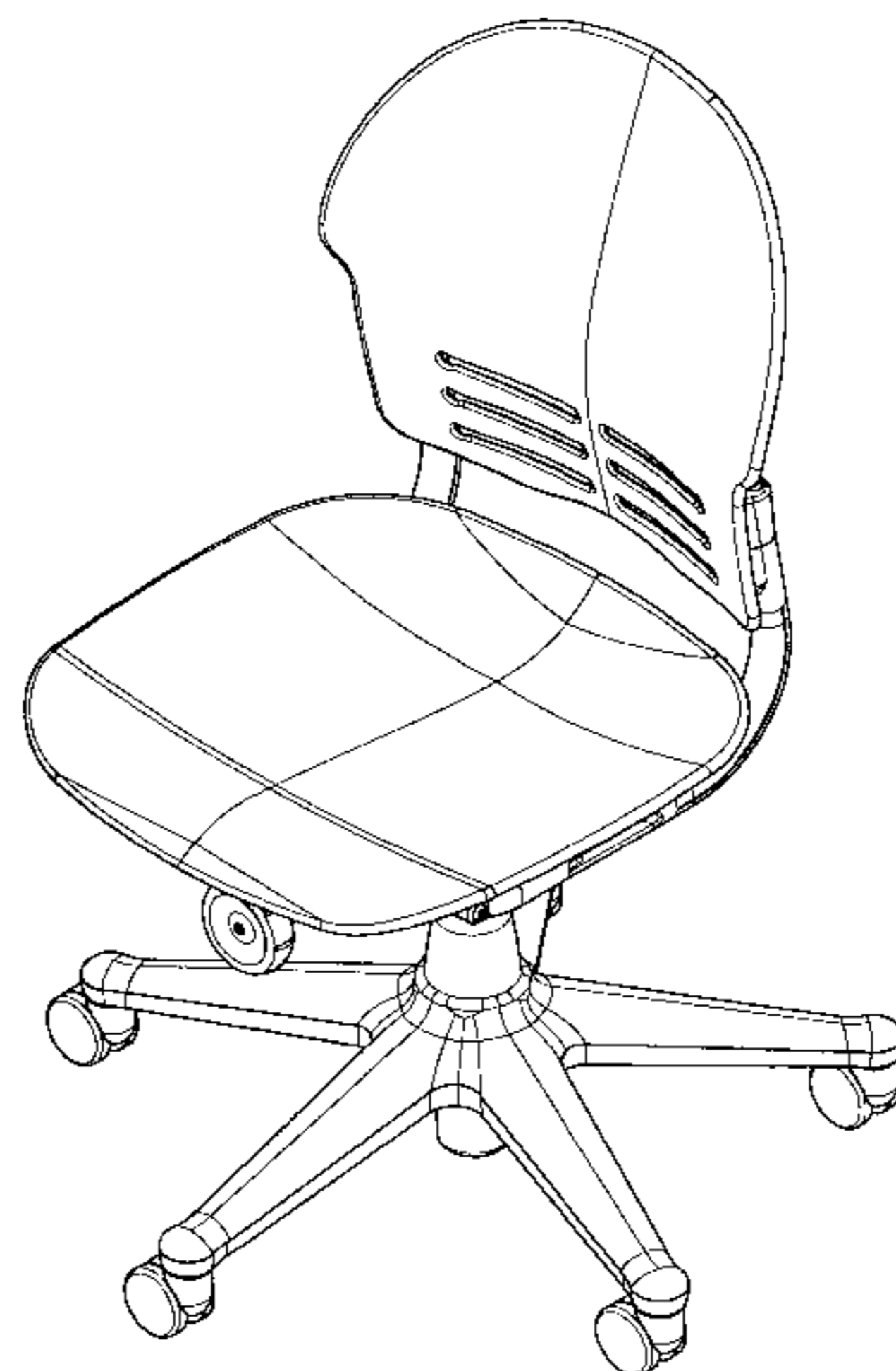
(57) **CLAIM**

The ornamental design for a chair, as shown and described.

DESCRIPTION

FIG. 1 is an isometric view showing the front side of a chair having features of the invention;
FIG. 2 is a isometric view of the chair illustrated in FIG. 1, showing the rear side of the chair;
FIG. 3 is a view of the left side of the chair illustrated in FIG. 1, the right side being a mirror image thereof except it would show the adjustment handle;
FIG. 4 is a front view of the chair illustrated in FIG. 1;
FIG. 5 is a rear view of the chair illustrated in FIG. 1; and,
FIG. 6 is a top view of the chair illustrated in FIG. 1.

1 Claim, 3 Drawing Sheets



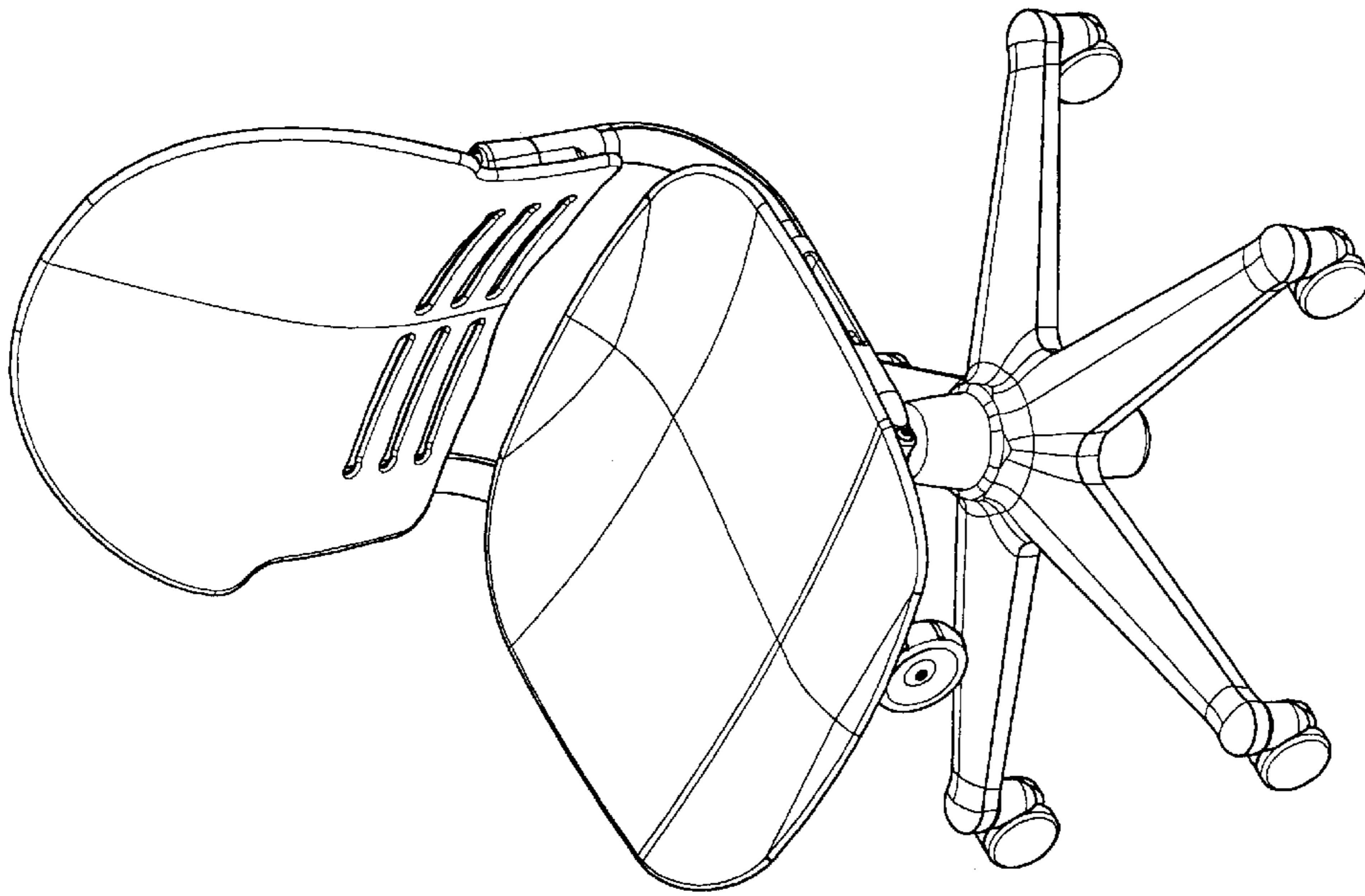


FIG. 1

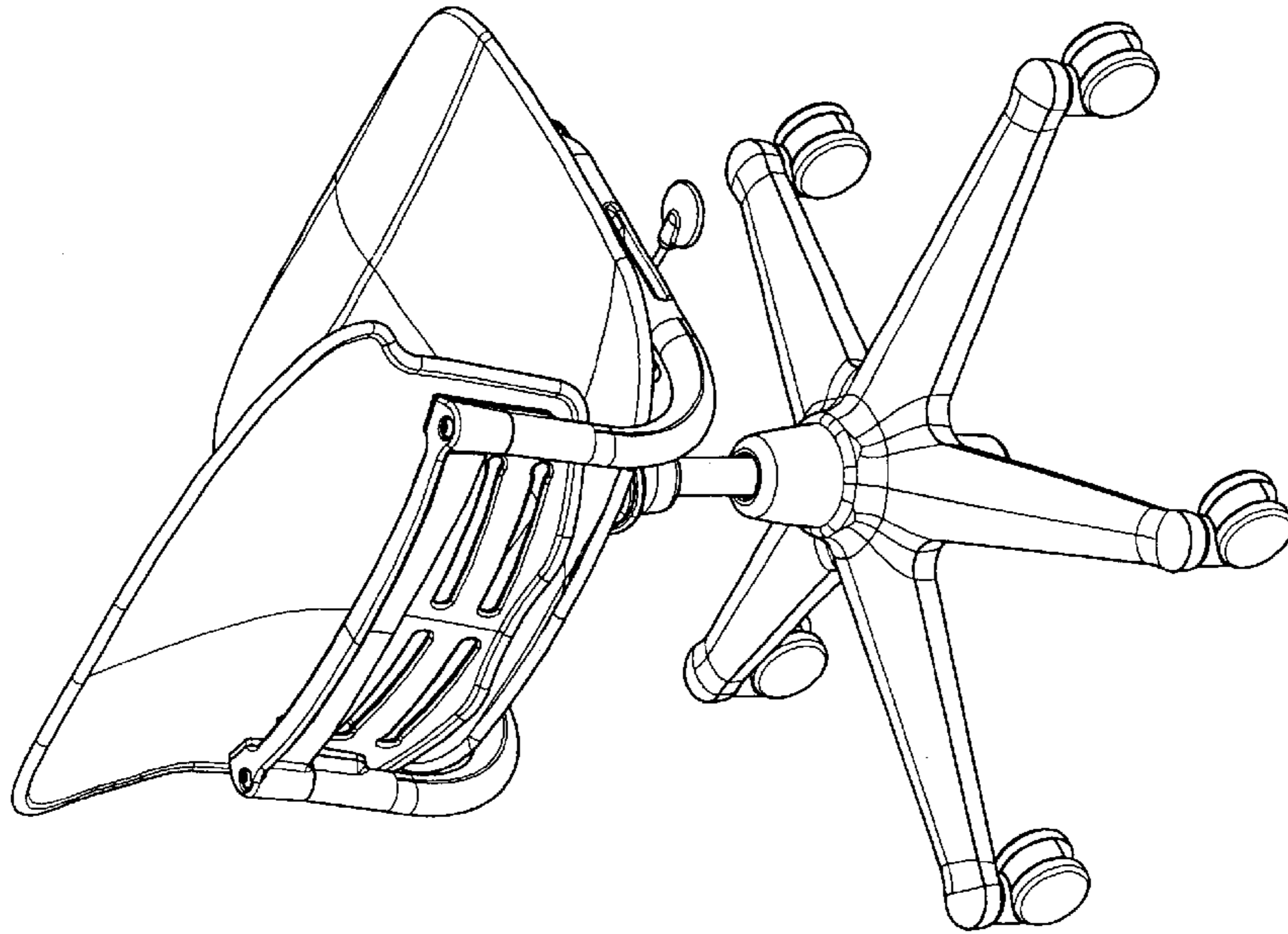


FIG. 2

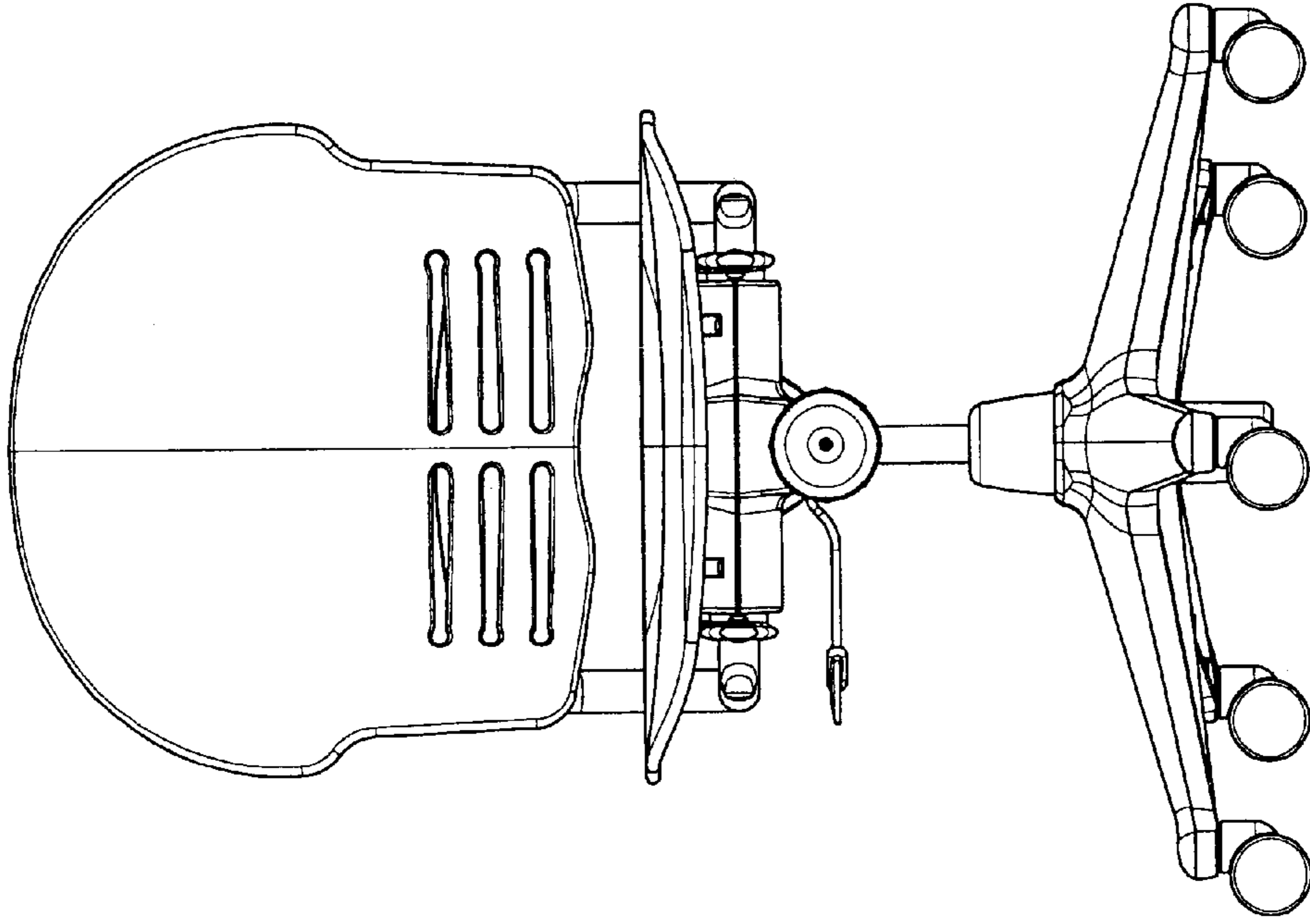


FIG. 4

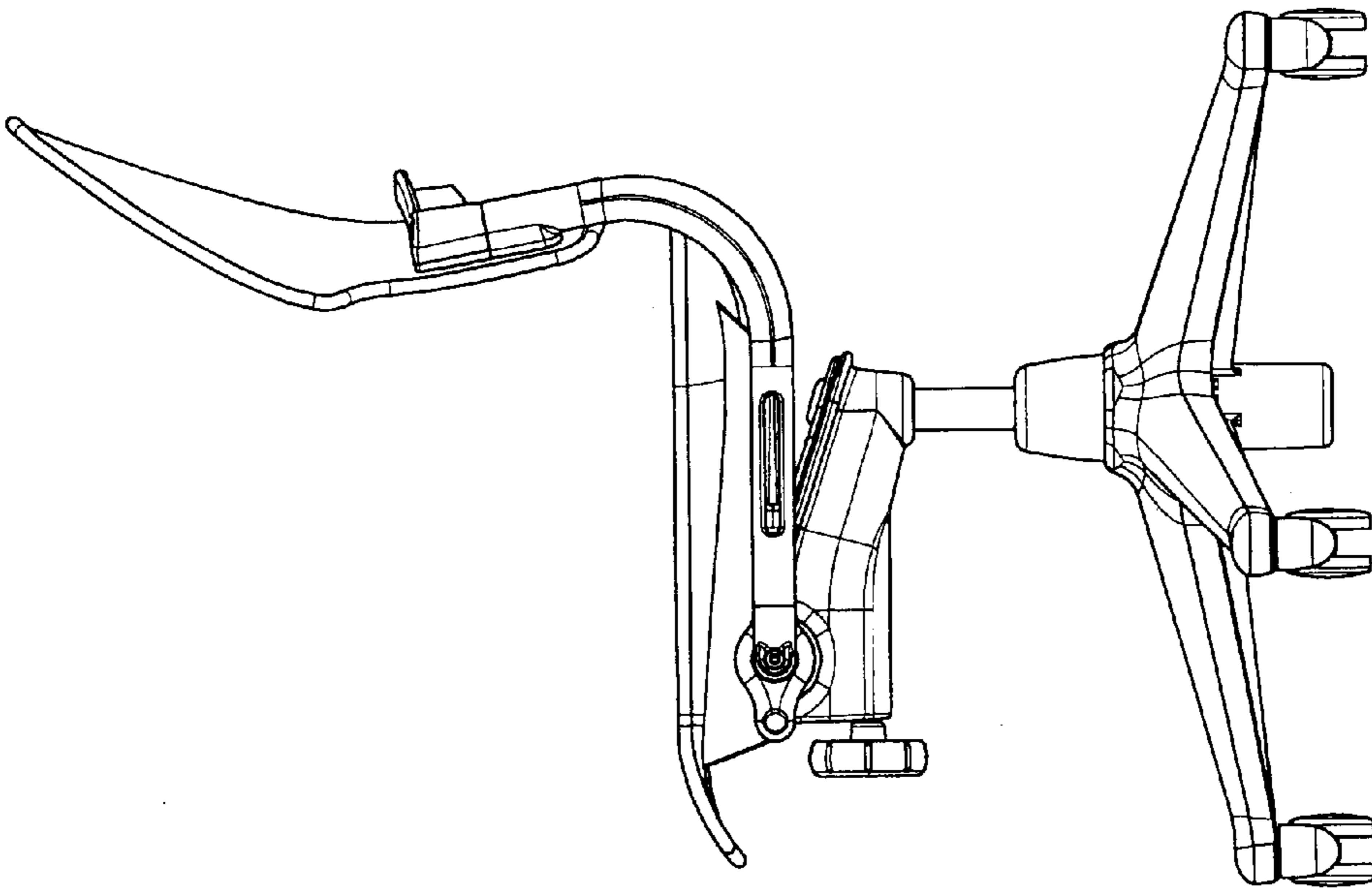


FIG. 3

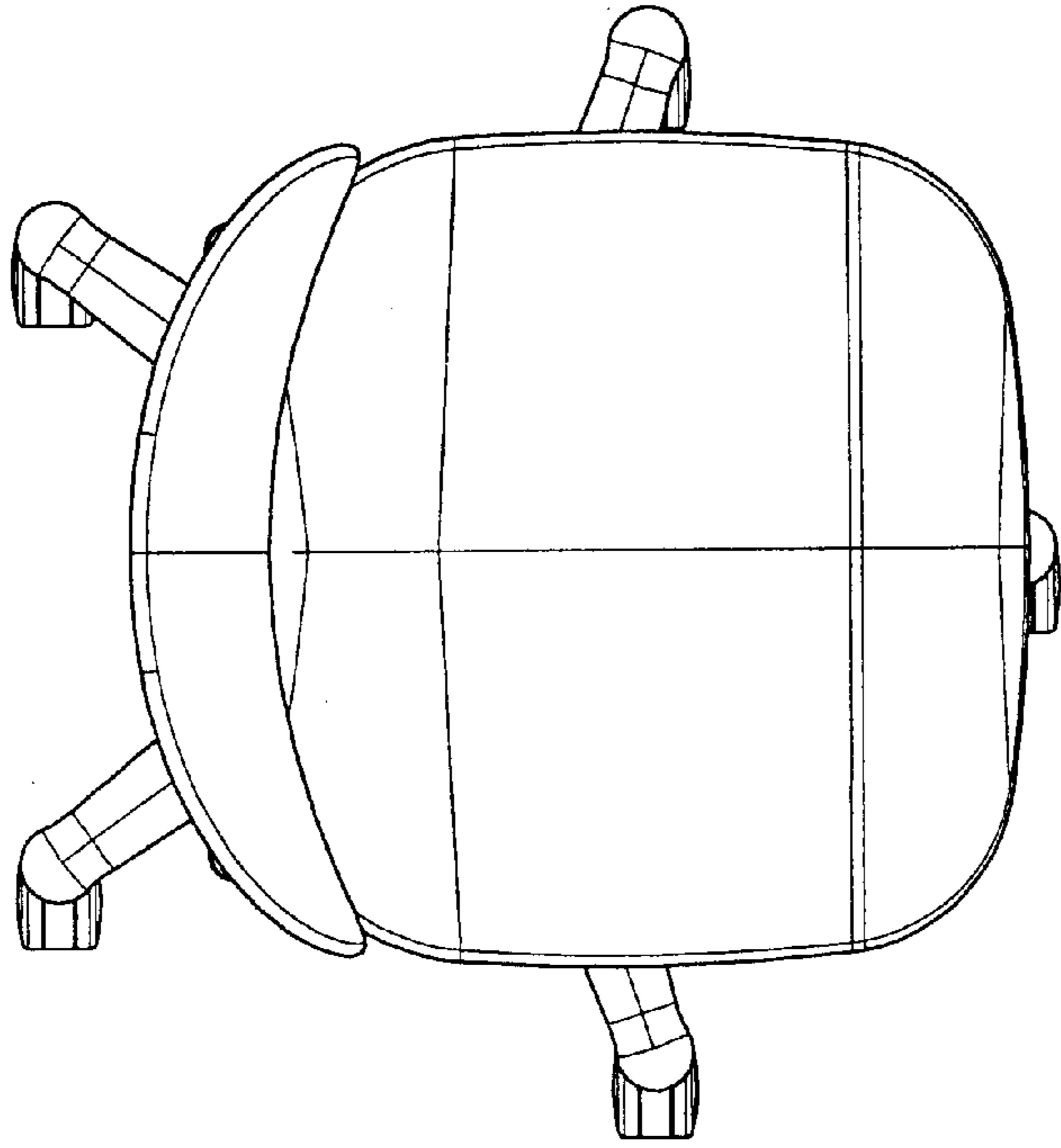


Fig. 4

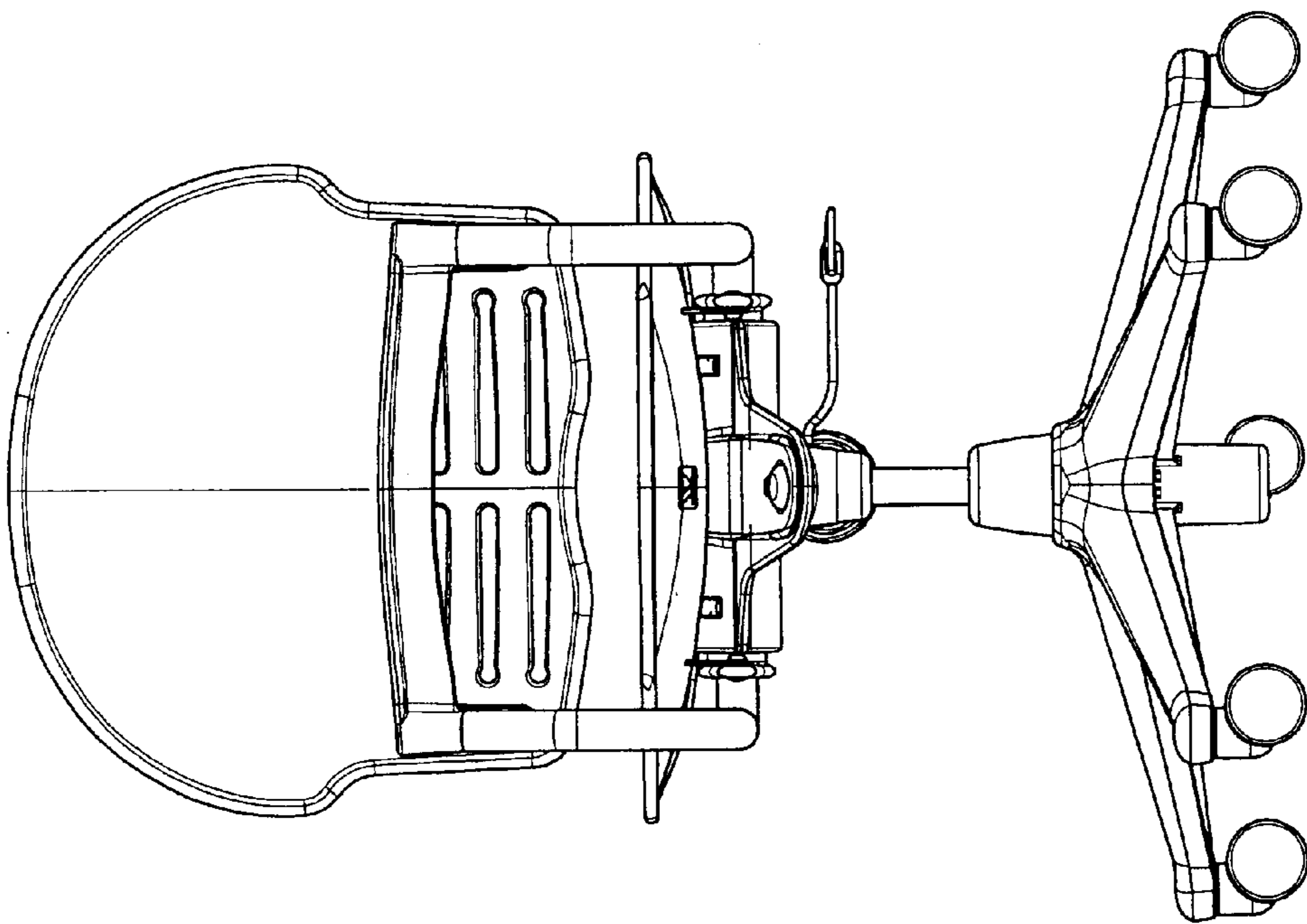


Fig. 5