



US00D461321S

(12) **United States Design Patent**
Figueras Mitjans

(10) **Patent No.:** **US D461,321 S**

(45) **Date of Patent:** **** Aug. 13, 2002**

(54) **SEATS**
(75) **Inventor:** **Jose Figueras Mitjans**, Llica d'Amunt
Barcelona (ES)

(73) **Assignee:** **Figueras International Seating, S.A.**,
Barcelona (ES)

(**) **Term:** **14 Years**

(21) **Appl. No.:** **29/150,708**

(22) **Filed:** **Nov. 29, 2001**

(30) **Foreign Application Priority Data**

May 31, 2001 (ES) 151475

(51) **LOC (7) Cl.** **06-01**

(52) **U.S. Cl.** **D6/356; D6/336; D6/381**

(58) **Field of Search** D6/334, 335, 336,
D6/356, 367, 368, 381, 500-502; 297/232,
335, 411.45, 411.2

(56) **References Cited**

U.S. PATENT DOCUMENTS

D428,276 S * 7/2000 Mitjans D6/381
D441,210 S * 5/2001 Mitjans D6/368

D441,972 S * 5/2001 Mitjans D6/368
D441,993 S * 5/2001 Lin D6/500
D445,269 S * 7/2001 Mitjans D6/368
6,283,551 B1 * 9/2001 Bergin 297/411.2

* cited by examiner

Primary Examiner—Doris V. Coles

Assistant Examiner—Mimosa De

(74) *Attorney, Agent, or Firm*—Nath & Associates PLLC;
Gary M. Nath; Marvin C. Berkowitz

(57) **CLAIM**

The ornamental design for seats, as shown and described.

DESCRIPTION

FIG. 1 is a front view in perspective of the seats showing my new design;

FIG. 2 is a rear and right side perspective view thereof;

FIG. 3 is a front elevational view of the seats;

FIG. 4 is a left-side view thereof;

FIG. 5 is a right-side view thereof;

FIG. 6 is a rear elevation view of the seats;

FIG. 7 is a top plan view of the seats; and,

FIG. 8 is a bottom view of the seats.

1 Claim, 8 Drawing Sheets

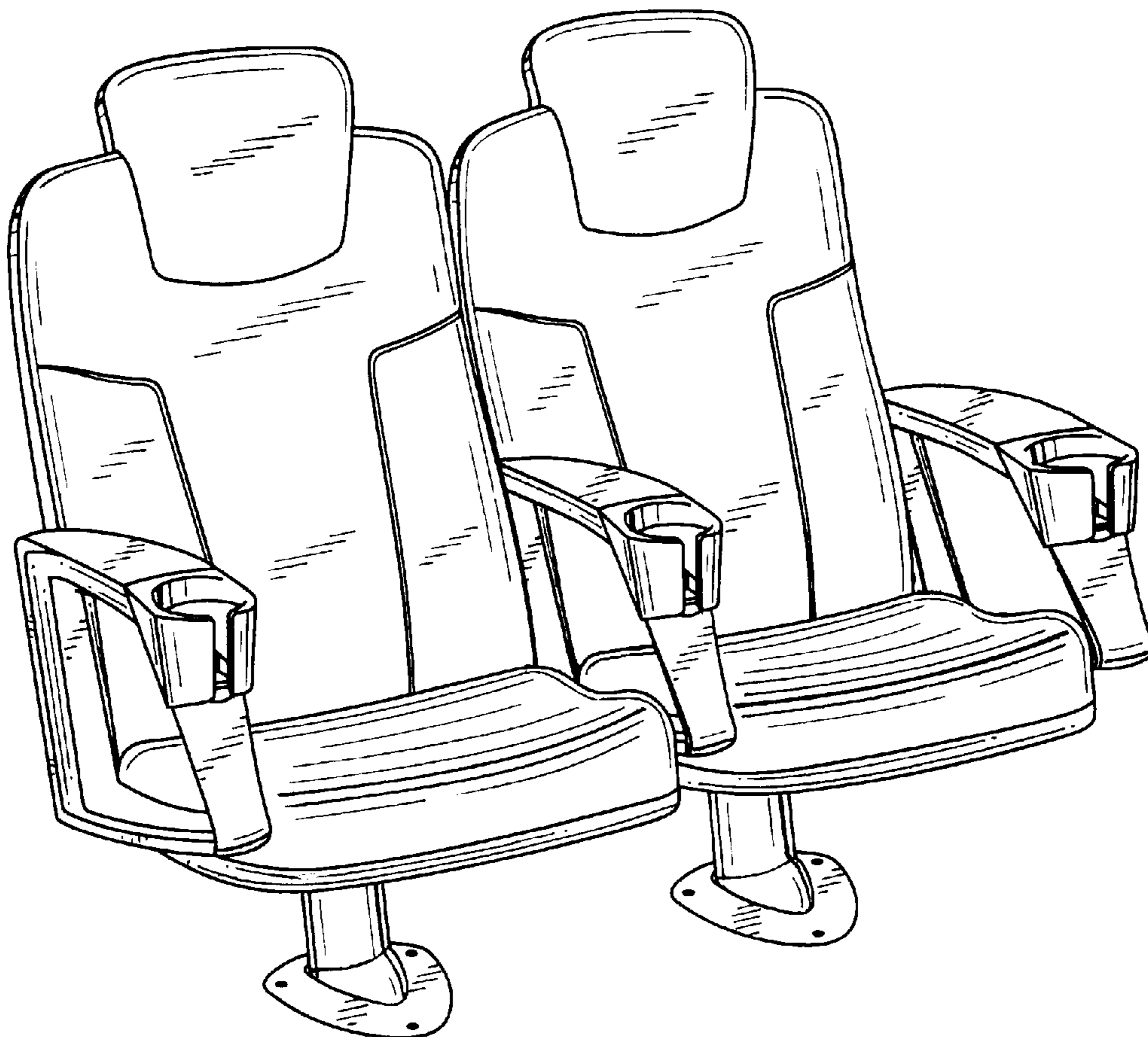


FIG. 1

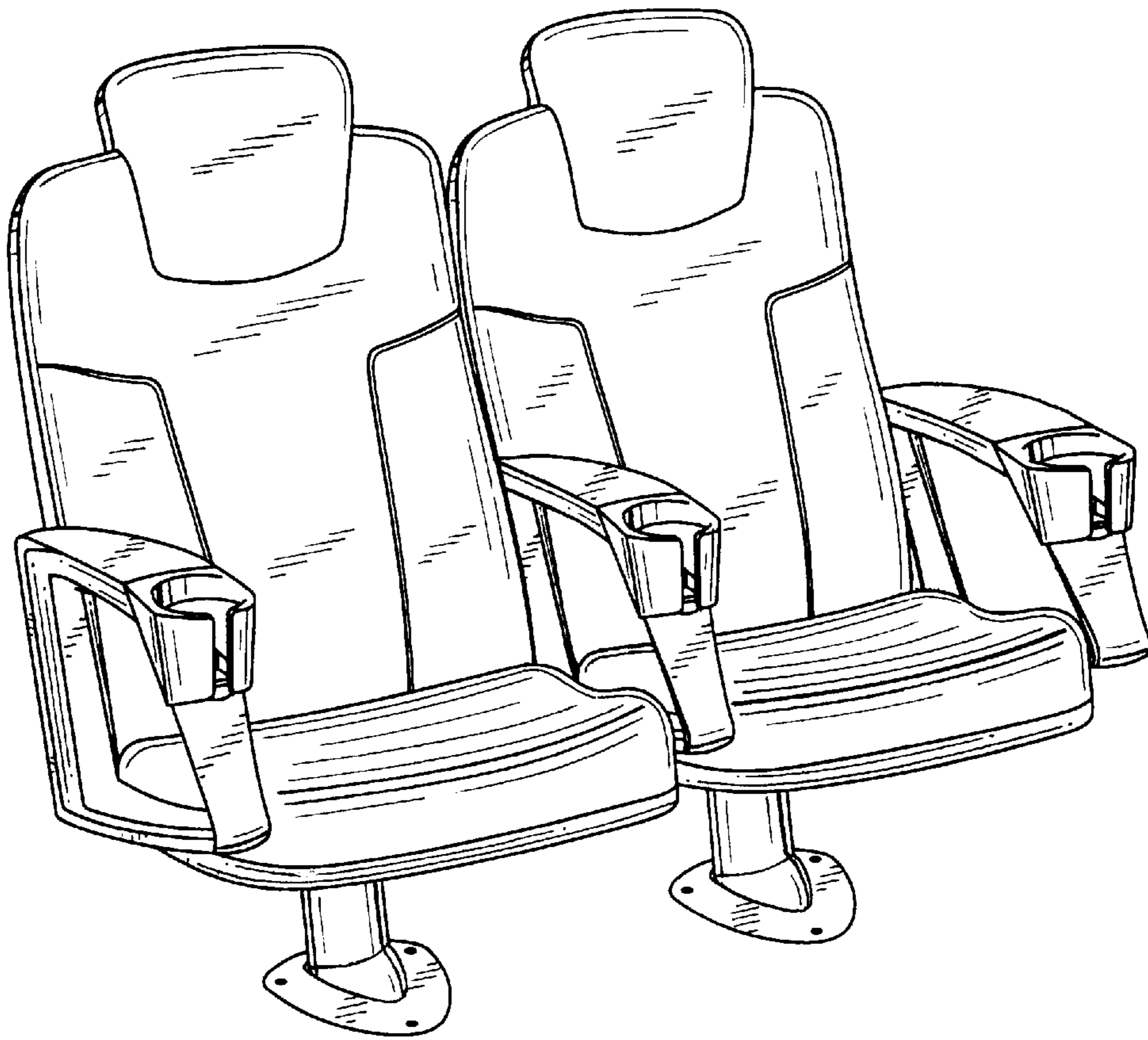


FIG. 2

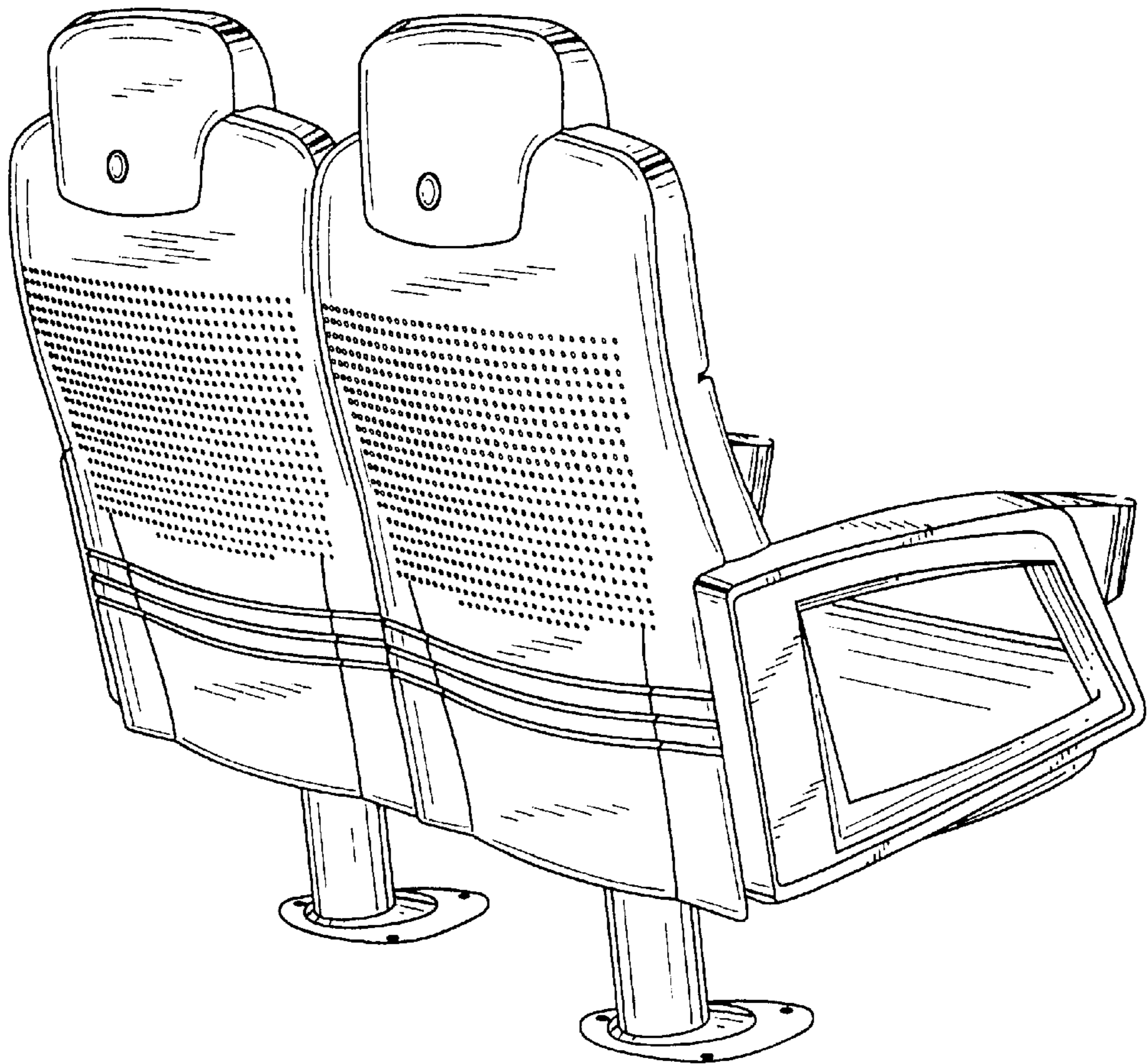


FIG. 3

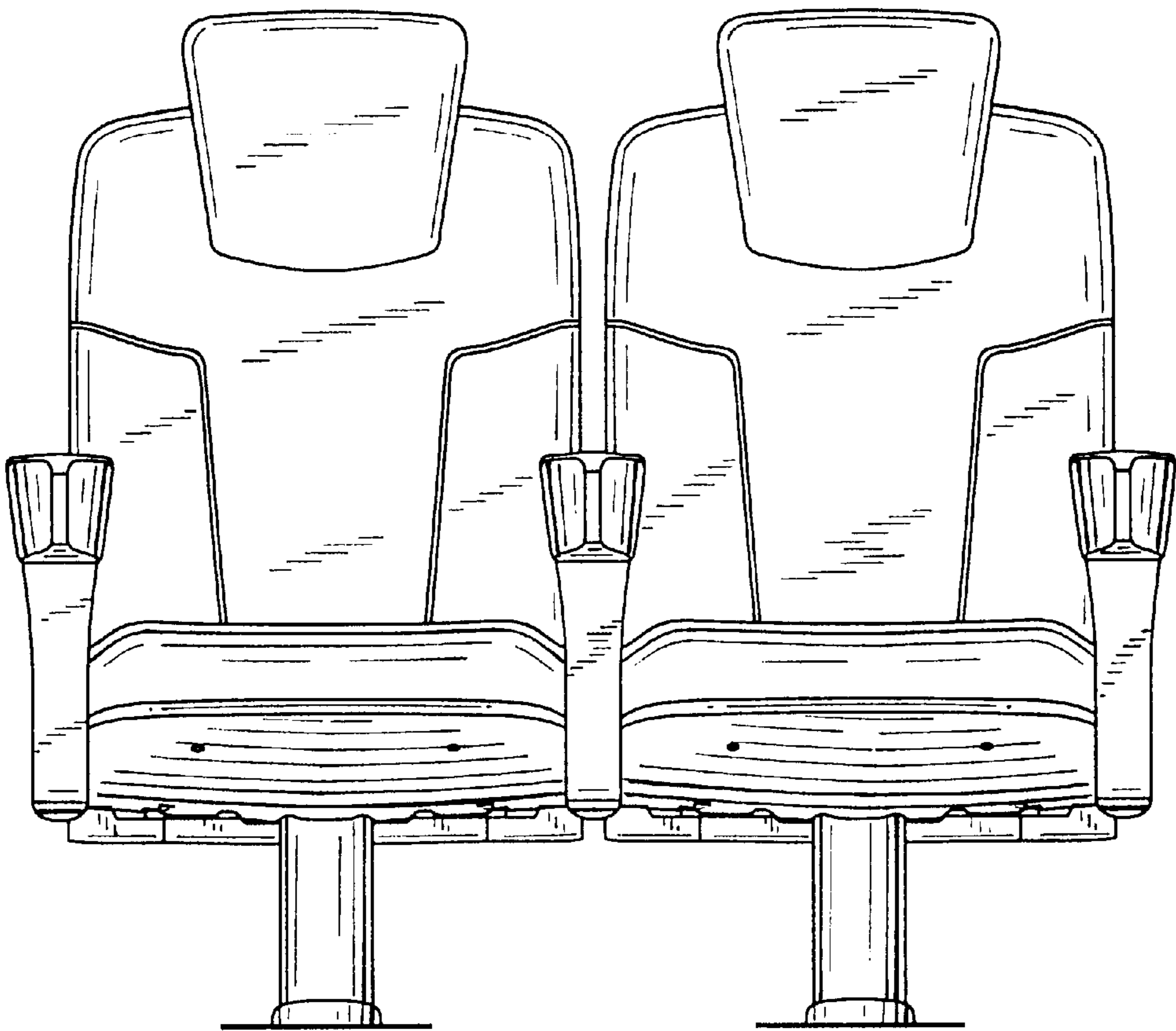


FIG. 4

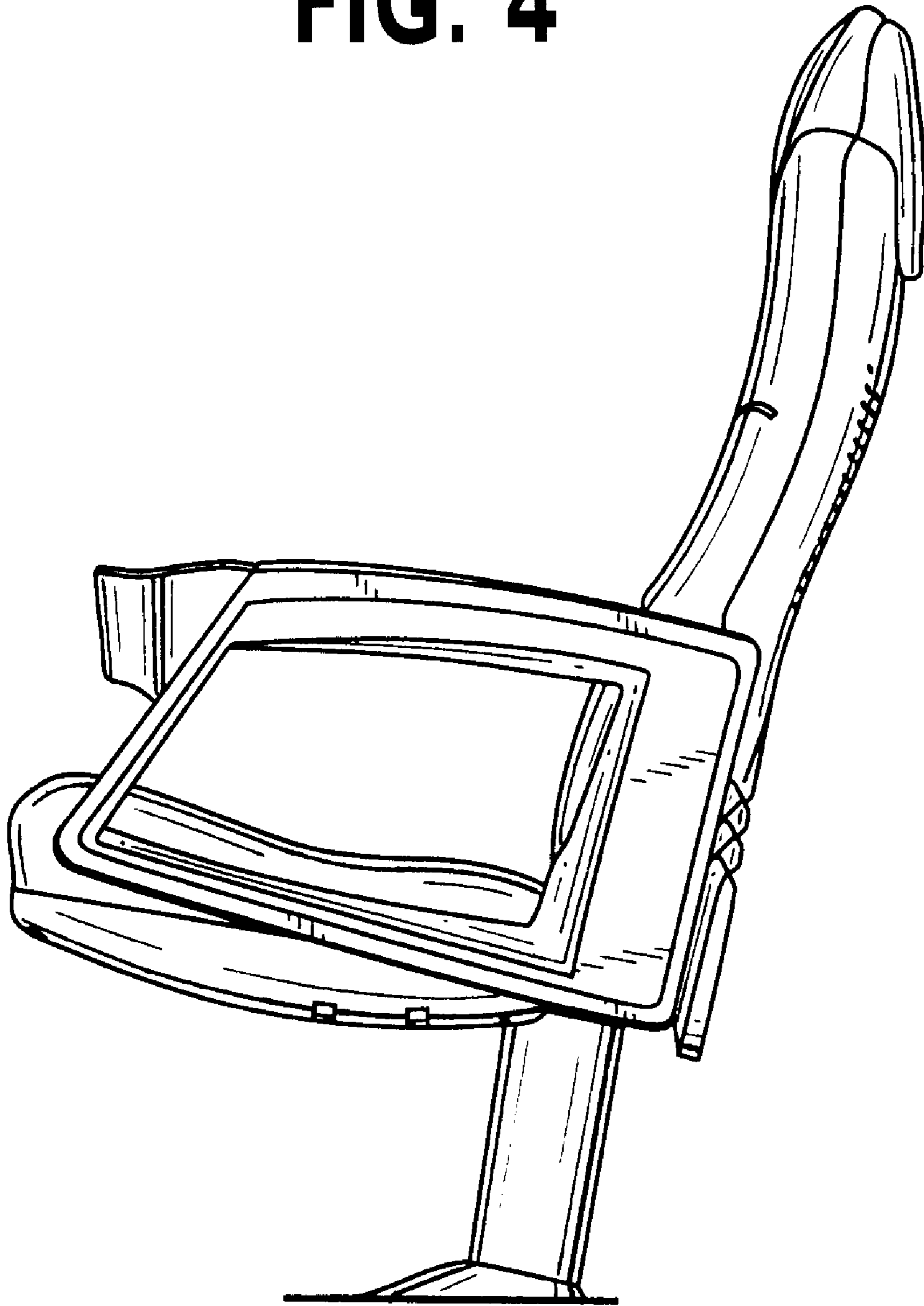


FIG. 5

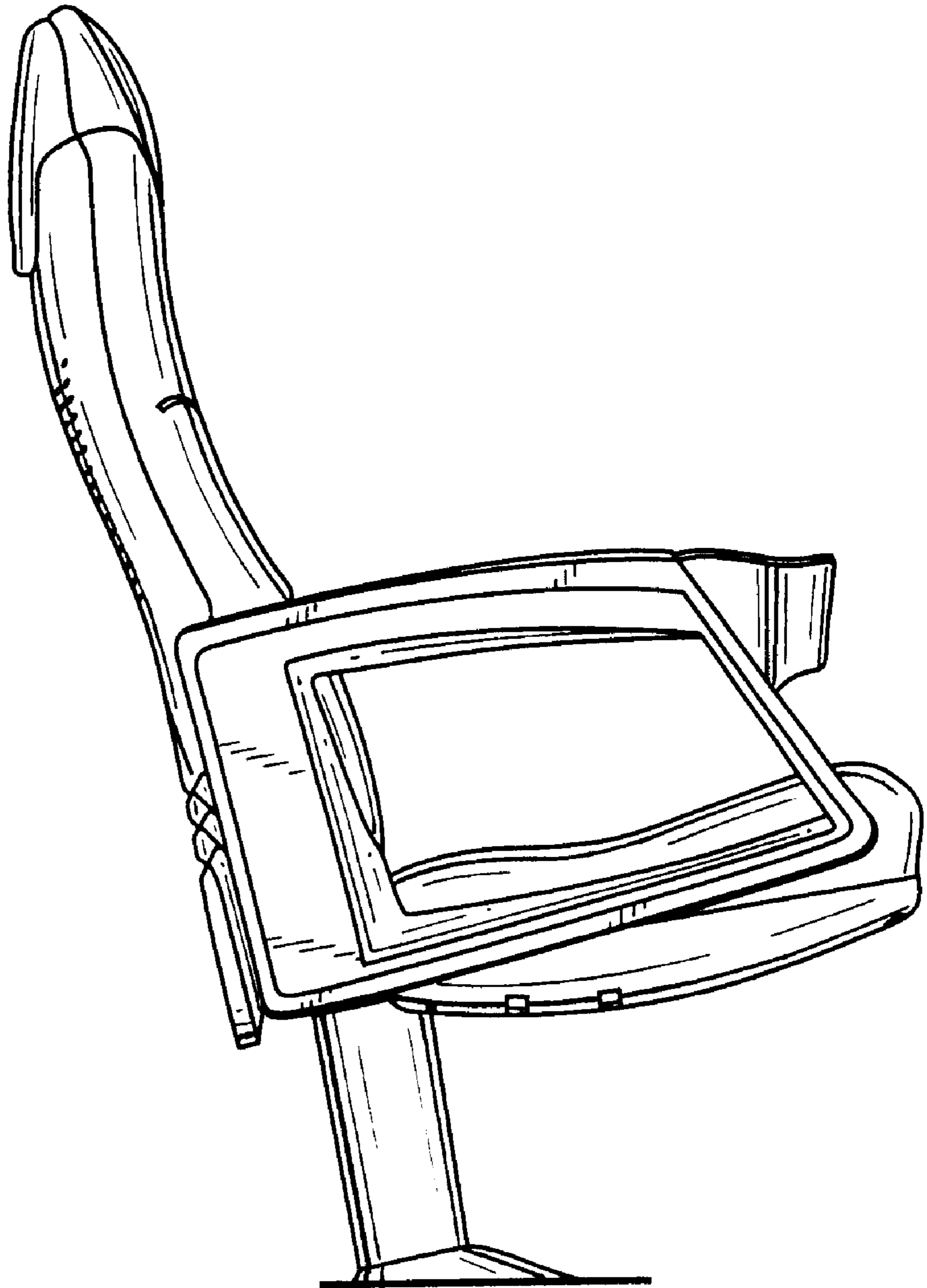


FIG. 6

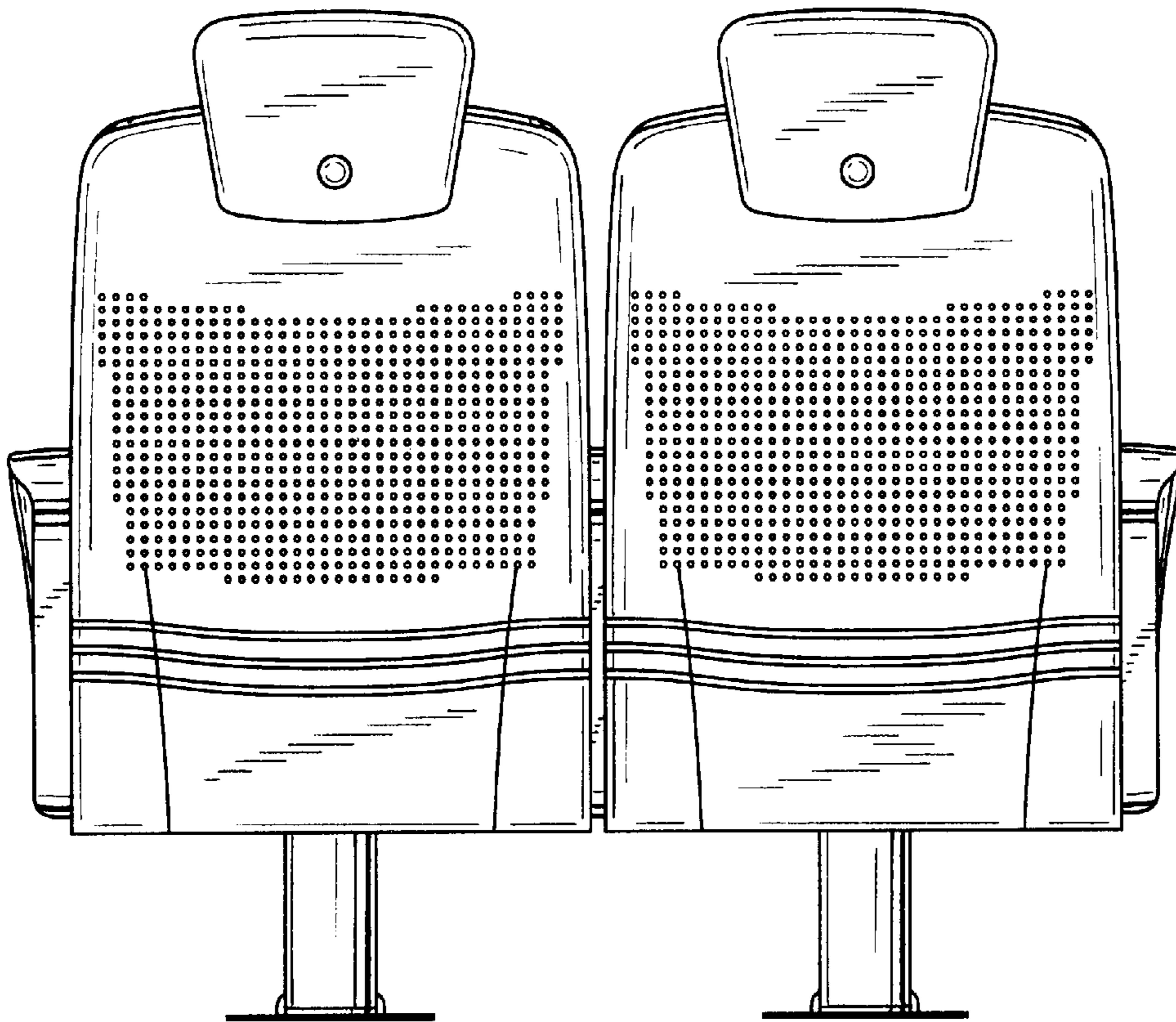


FIG. 7

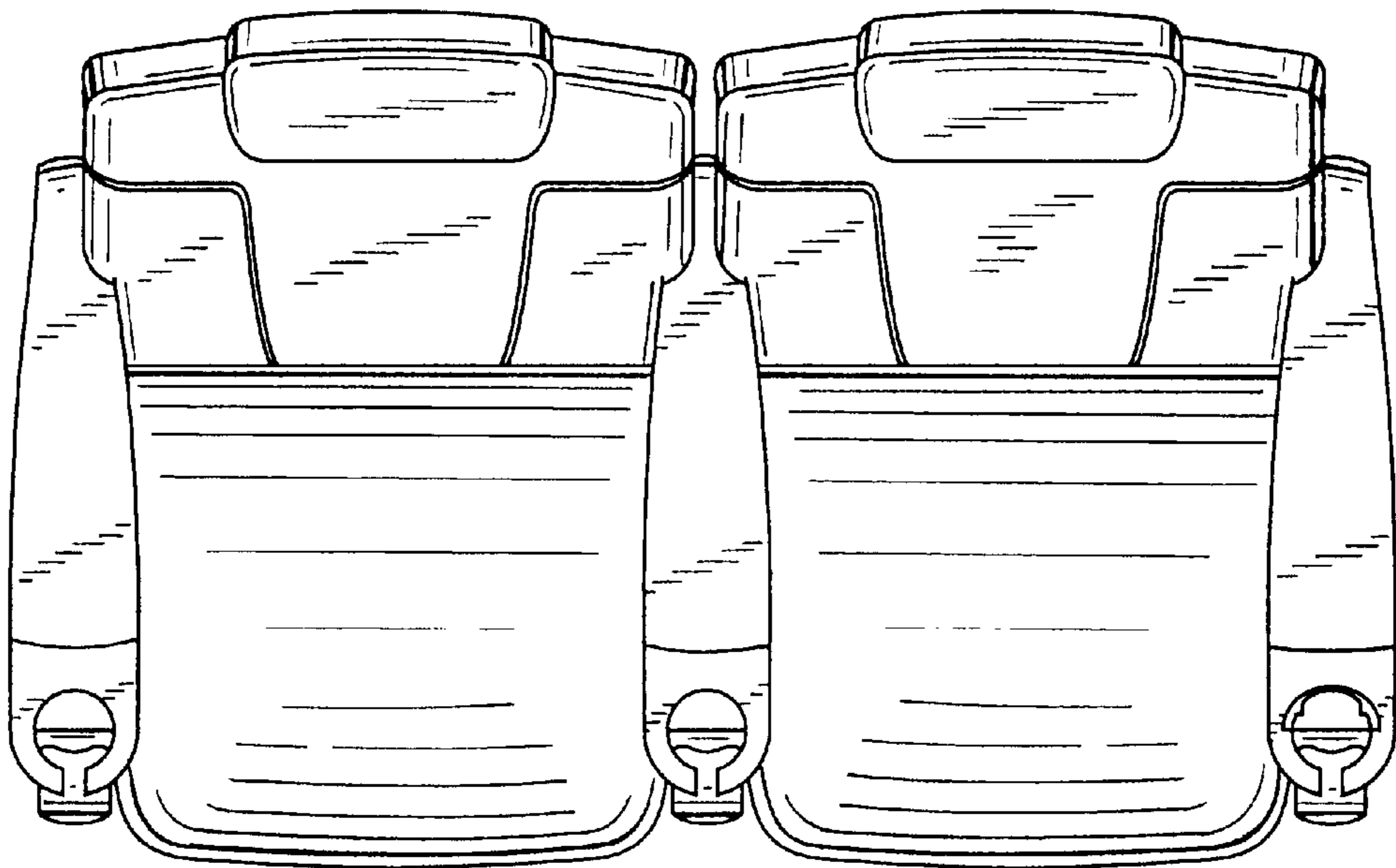


FIG. 8

