



US00D461319S

(12) **United States Design Patent**  
**Jackson**

(10) **Patent No.:** **US D461,319 S**

(45) **Date of Patent:** **\*\* Aug. 13, 2002**

(54) **PICTURE DISPLAY APPARATUS**

(76) Inventor: **David Aubrey Jackson**, 14435 Benefit St. Unit One, Sherman Oaks, CA (US) 91423

(\*\*) Term: **14 Years**

(21) Appl. No.: **29/103,211**

(22) Filed: **Apr. 8, 1999**

(51) **LOC (7) Cl.** ..... **06-07**

(52) **U.S. Cl.** ..... **D6/310**

(58) **Field of Search** ..... D6/300-304, 308-314; D20/10, 40; 40/700, 711, 745, 765, 768-770, 780, 790, 798; 248/144.1

(56) **References Cited**

**U.S. PATENT DOCUMENTS**

D339,238 S	*	9/1993	Hamilton	.....	D6/301
D361,897 S	*	9/1995	Jackson	.....	D6/300
D364,507 S	*	11/1995	Schwartz	.....	D6/300
5,502,907 A	*	4/1996	Wang	.....	40/711

\* cited by examiner

*Primary Examiner*—Janice E. Seeger

(57) **CLAIM**

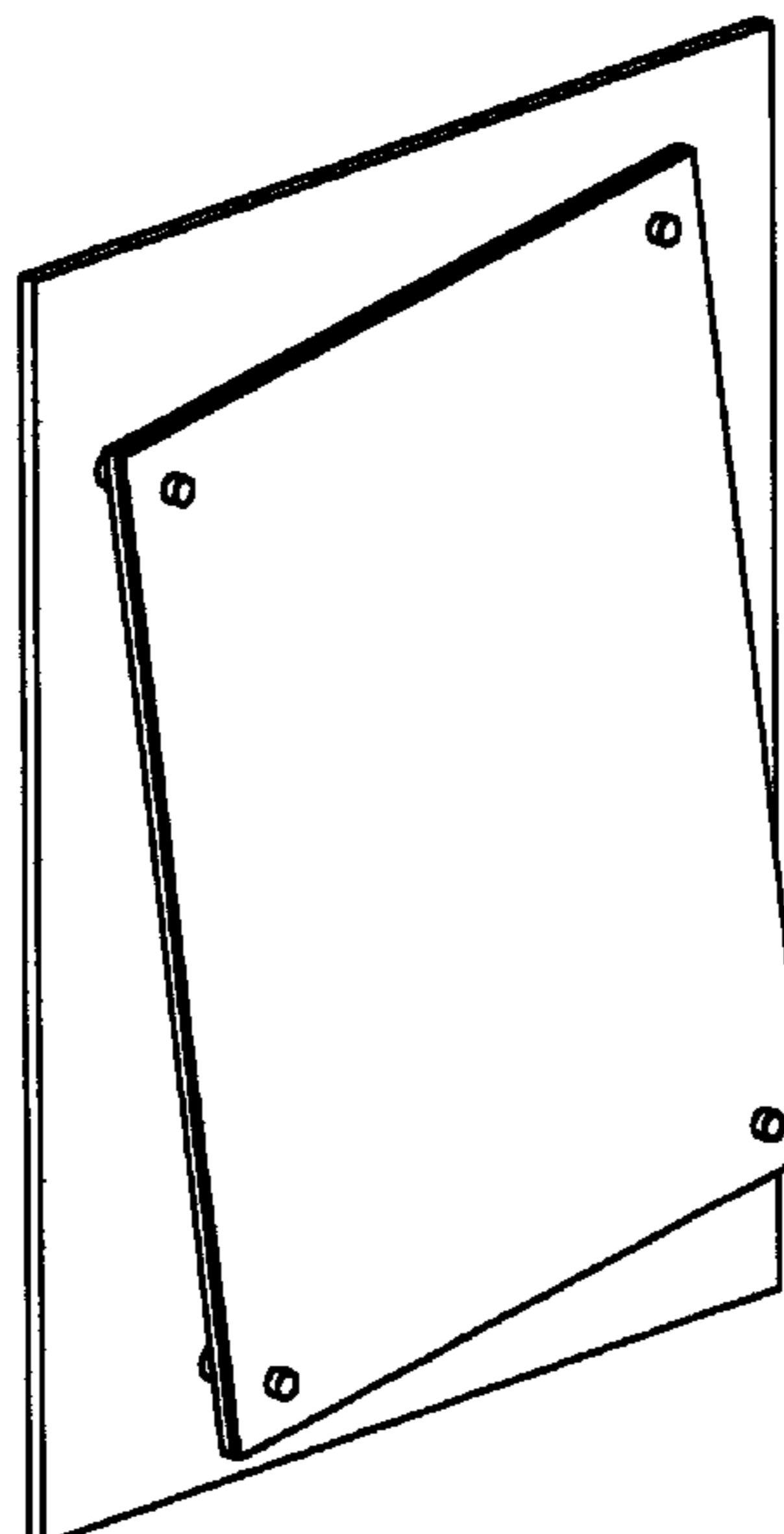
The ornamental design for a picture display apparatus, as shown and described.

**DESCRIPTION**

FIG. 1 is a front elevation view of a picture display apparatus;  
FIG. 2 is one side view thereof;  
FIG. 3 is a top view thereof;  
FIG. 4 is a bottom view thereof;  
FIG. 5 is a rear view thereof;

FIG. 6 is the opposite side view thereof;  
FIG. 7 is a front perspective view thereof;  
FIG. 8 is a rear perspective view thereof;  
FIG. 9 is a front elevation view of an alternate embodiment of a picture display apparatus.  
FIG. 10 is one side of the apparatus of FIG. 9;  
FIG. 11 is a top view of the apparatus of FIG. 9;  
FIG. 12 is a bottom of the apparatus of FIG. 9;  
FIG. 13 is a rear view of the apparatus of FIG. 9;  
FIG. 14 is the opposite side view of the apparatus of FIG. 9;  
FIG. 15 is a front perspective view of the apparatus of FIG. 9;  
FIG. 16 is a rear perspective view of the apparatus of FIG. 9;  
FIG. 17 is a front elevation view of another alternate embodiment of a picture display apparatus;  
FIG. 18 is one side of the apparatus of FIG. 17;  
FIG. 19 is a top view of the apparatus of FIG. 17;  
FIG. 20 is a bottom of the apparatus of FIG. 17;  
FIG. 21 is a rear view of the apparatus of FIG. 17;  
FIG. 22 is the opposite side view of the apparatus of FIG. 17;  
FIG. 23 is a front perspective view of the apparatus of FIG. 17;  
FIG. 24 is a rear perspective view of the apparatus of FIG. 17;  
FIG. 25 is a front elevation view of another alternate embodiment of a picture display apparatus;  
FIG. 26 is one side of the apparatus of FIG. 25;  
FIG. 27 is a top view of the apparatus of FIG. 25;  
FIG. 28 is a bottom of the apparatus of FIG. 25;  
FIG. 29 is a rear view of the apparatus of FIG. 25;  
FIG. 30 is the opposite side view of the apparatus of FIG. 25;  
FIG. 31 is a front perspective view of the apparatus of FIG. 25; and,  
FIG. 32 is a rear perspective view of the apparatus of FIG. 25.

**1 Claim, 12 Drawing Sheets**



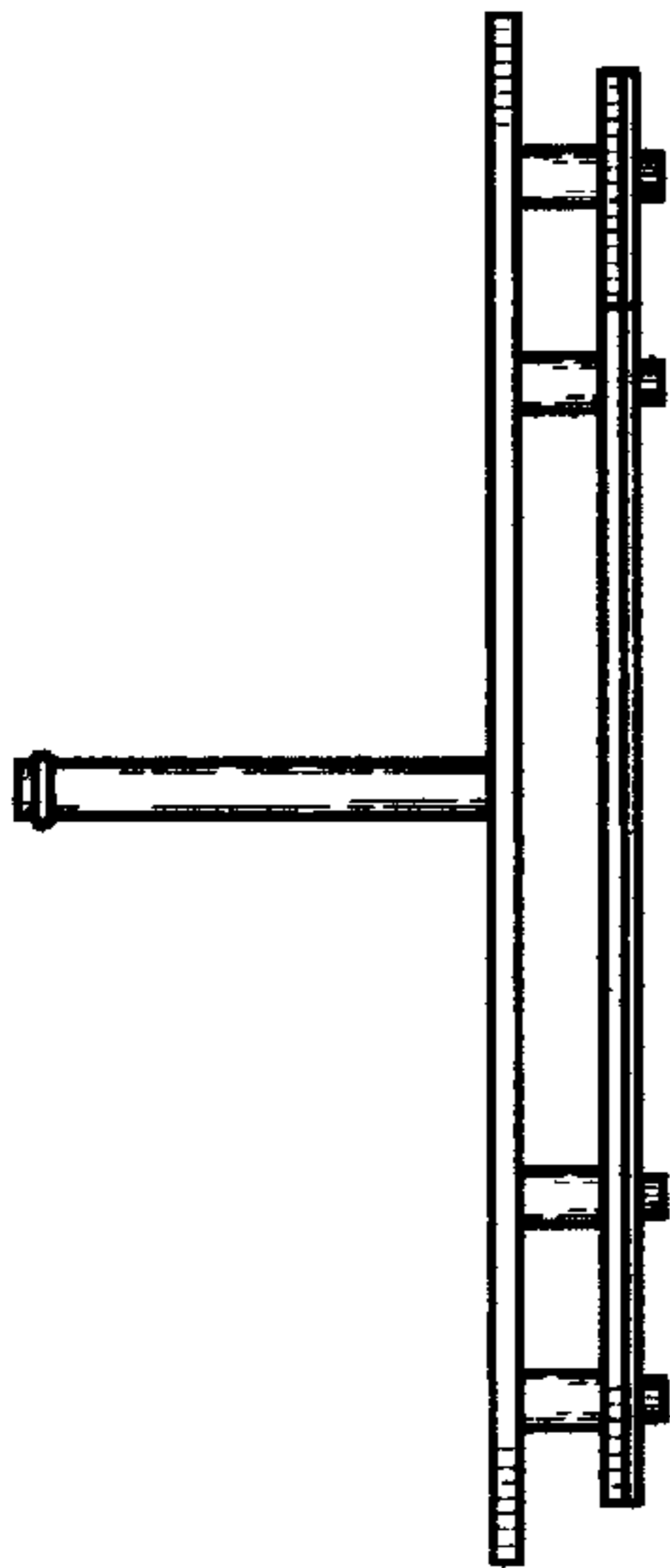


FIG. 3

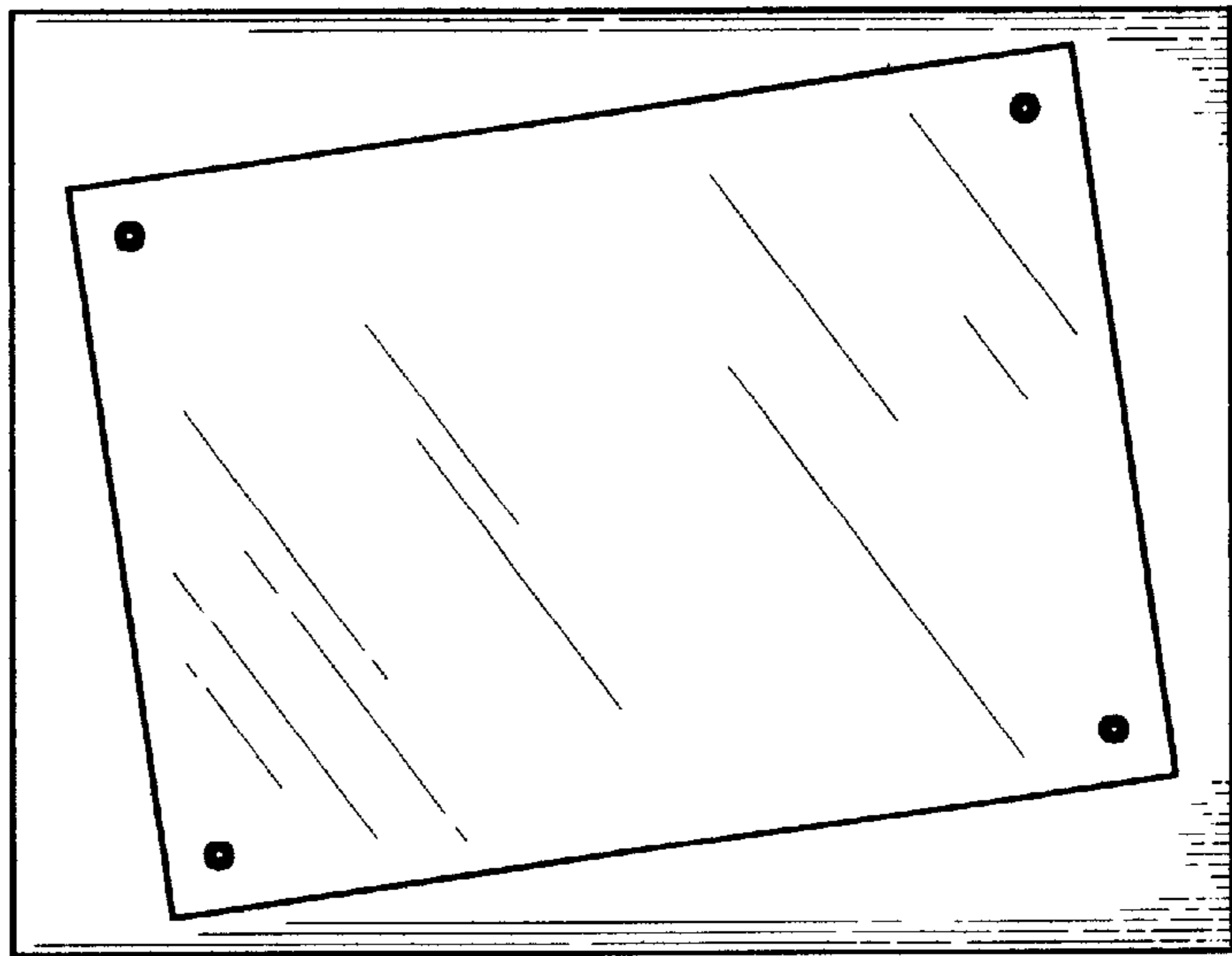


FIG. 1

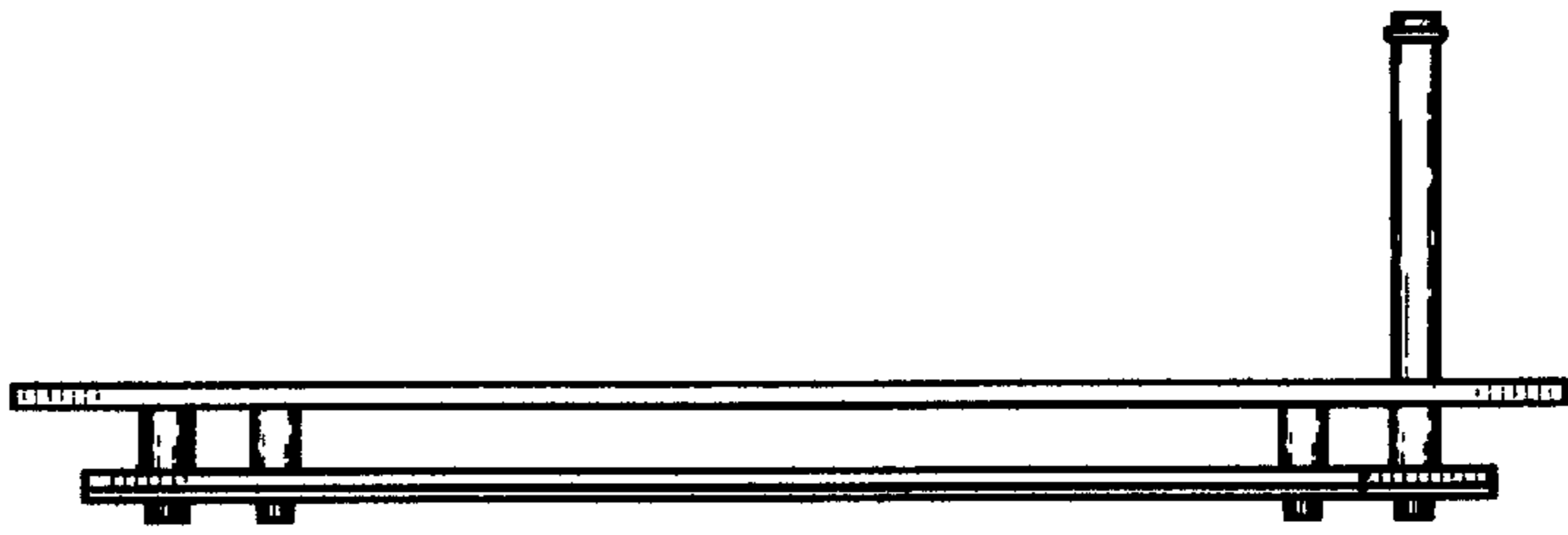


FIG. 2

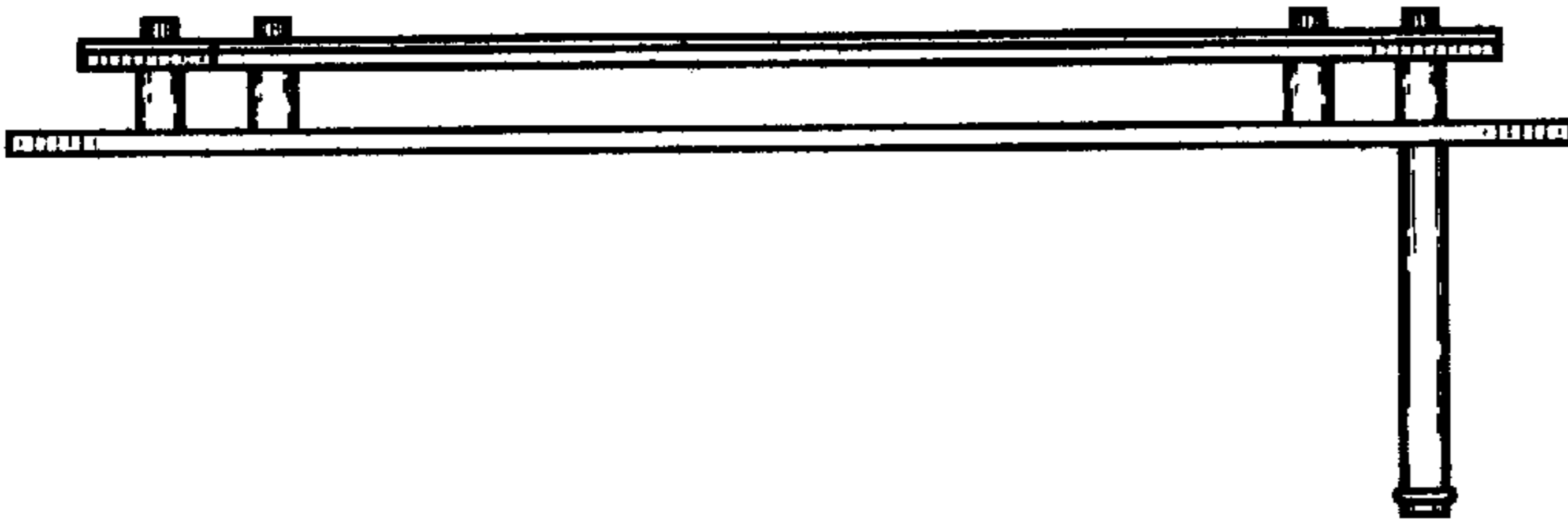


FIG. 6

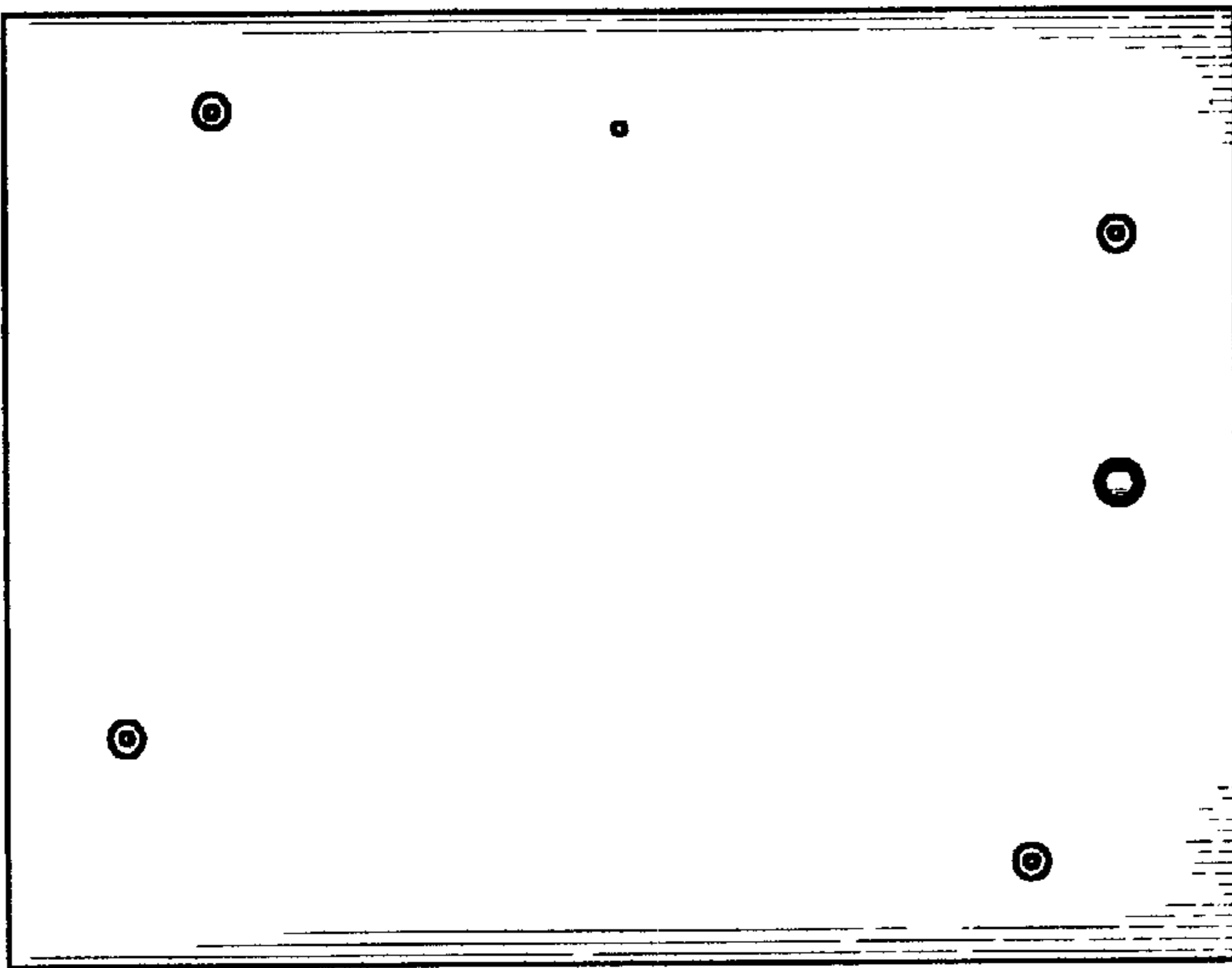


FIG. 5

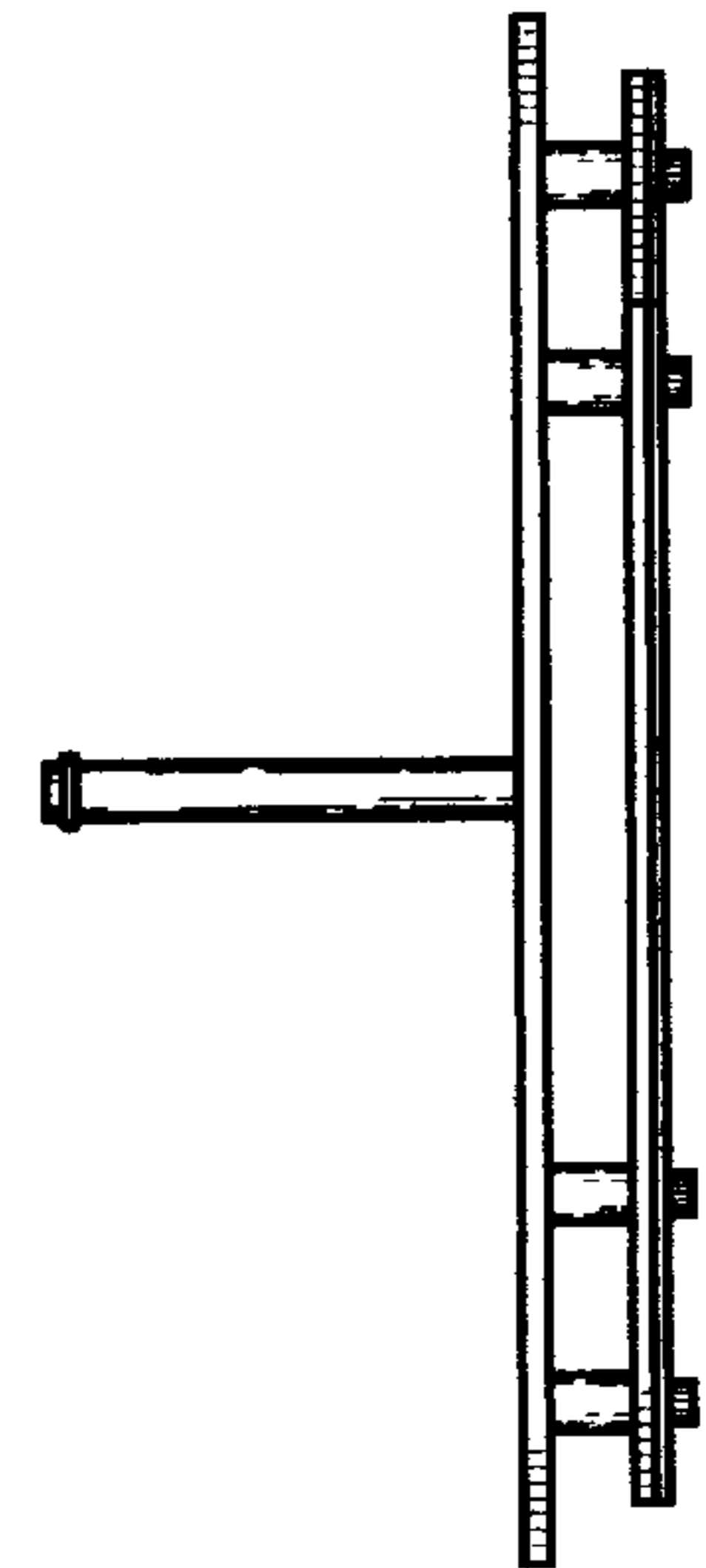


FIG. 4

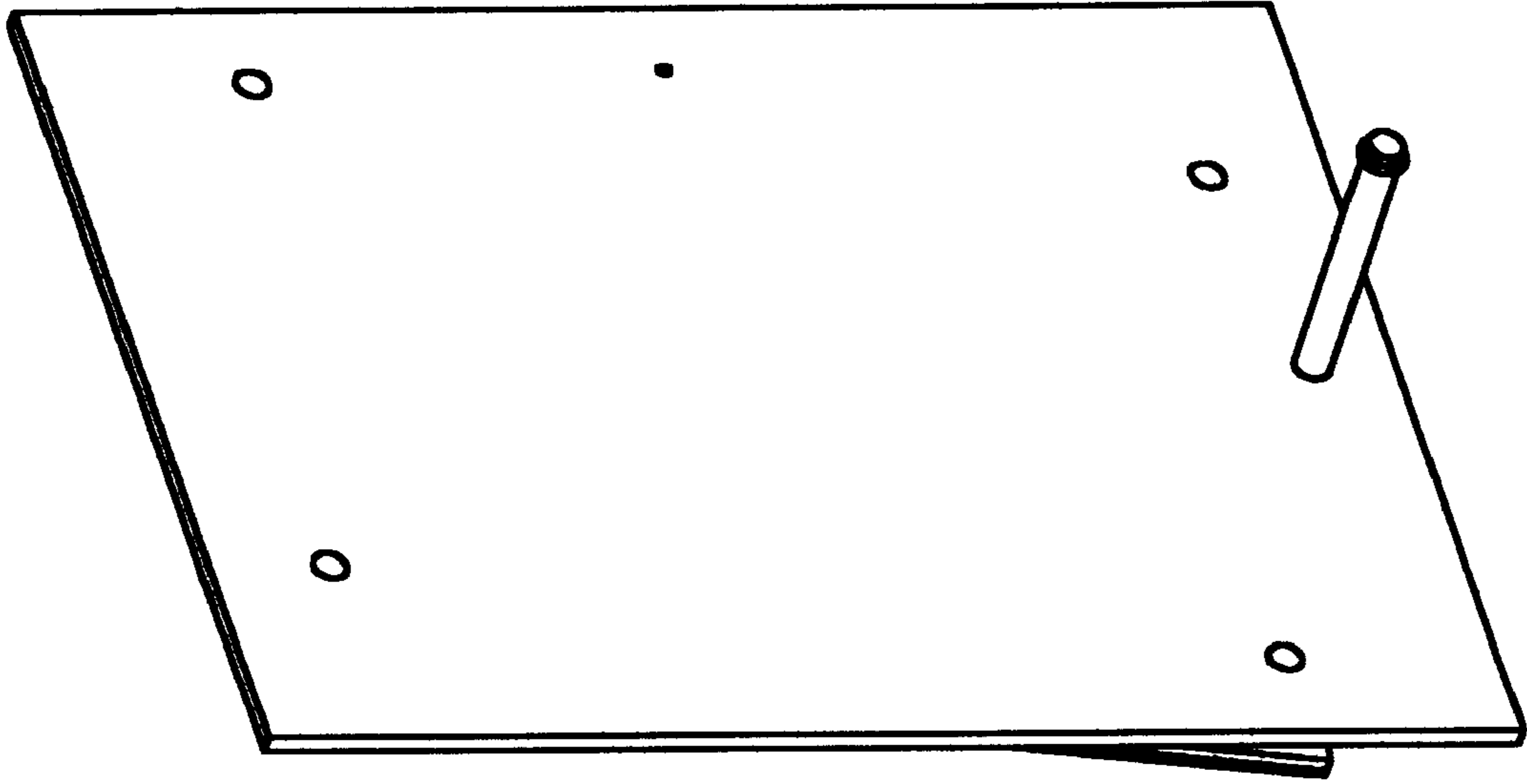


FIG. 8

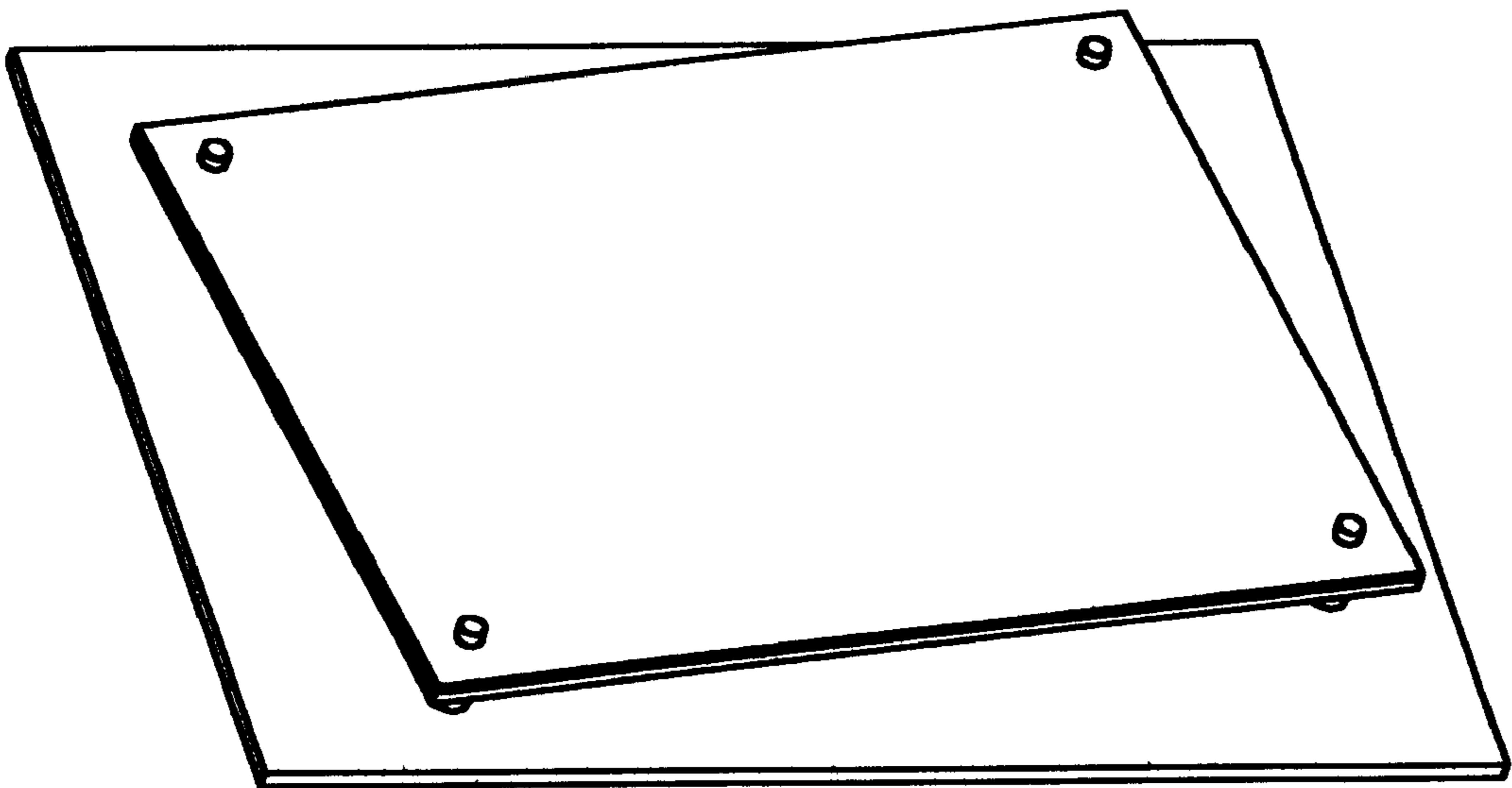


FIG. 7

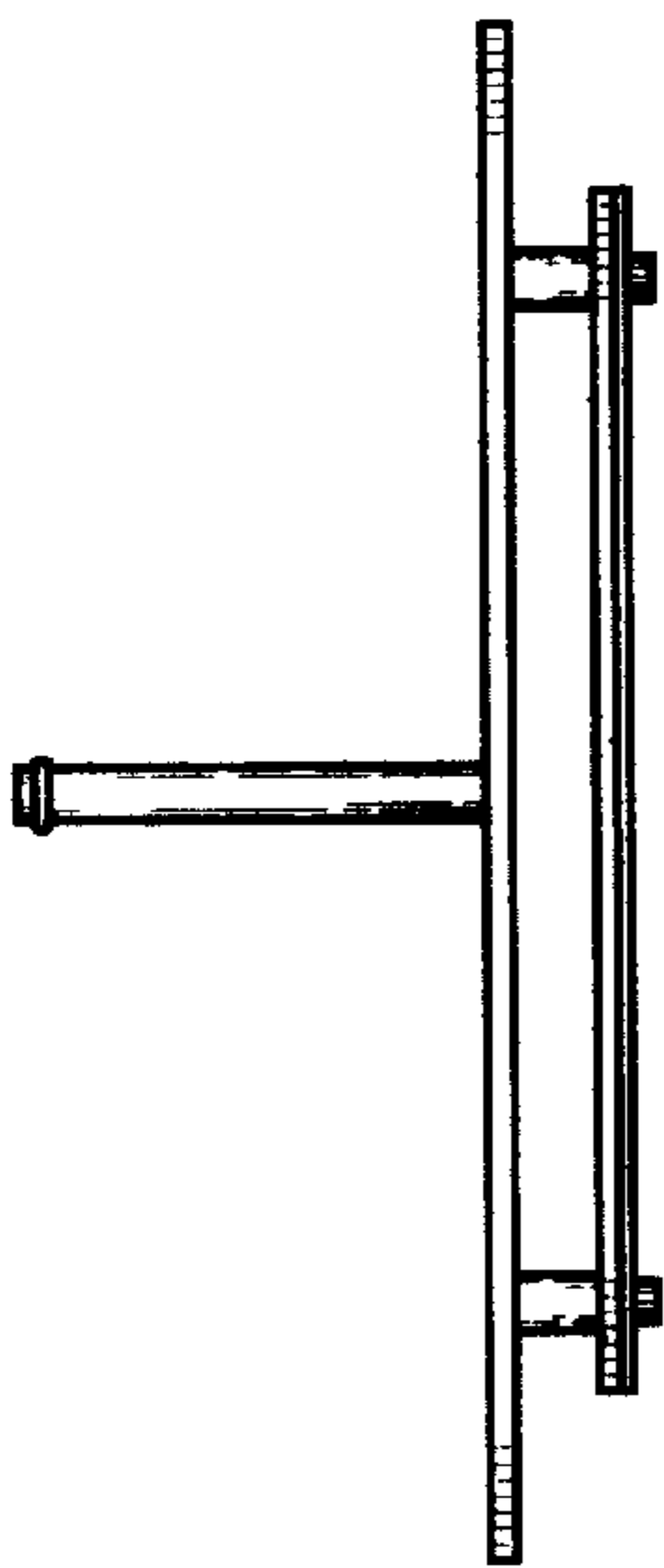


FIG. 11

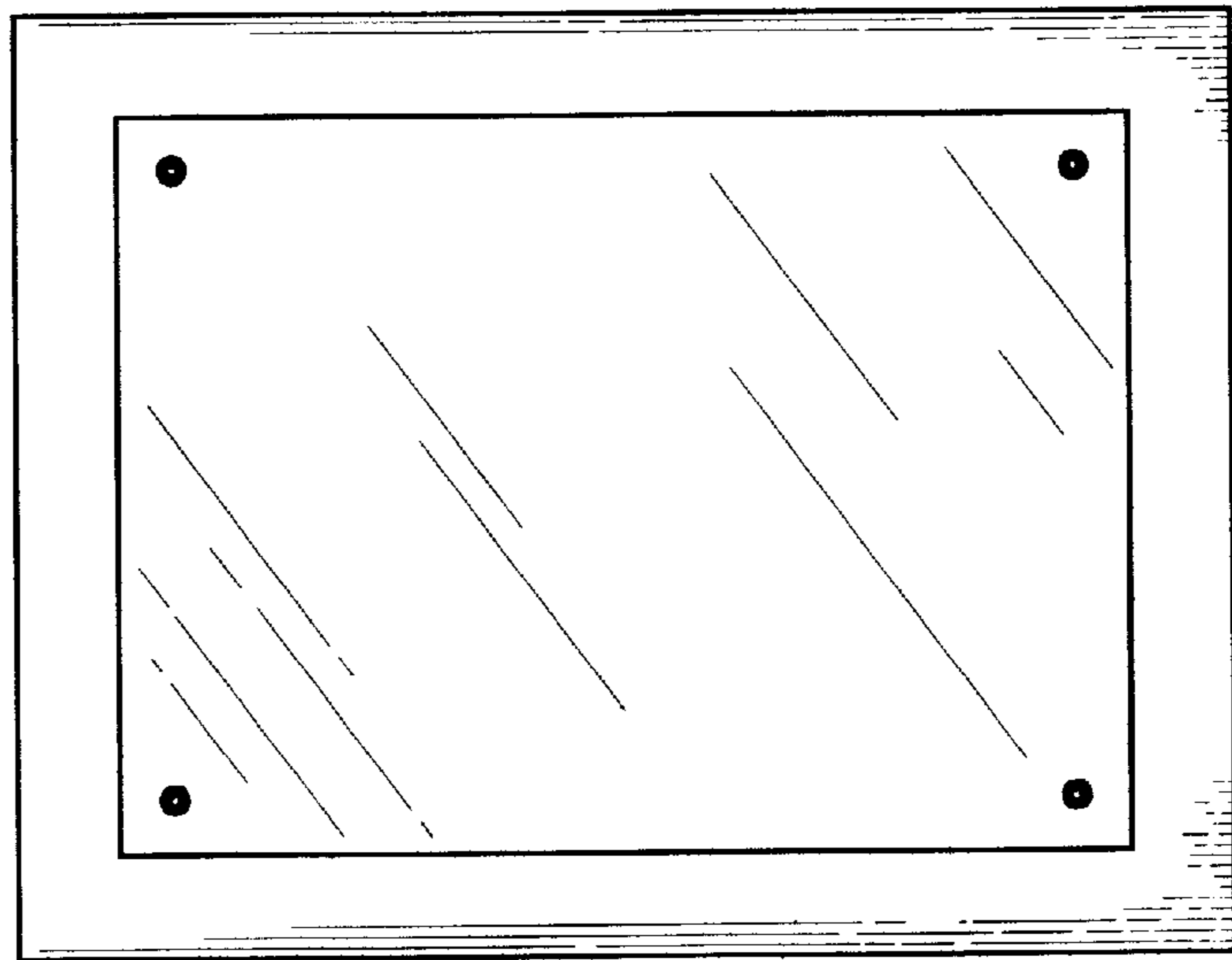


FIG. 9

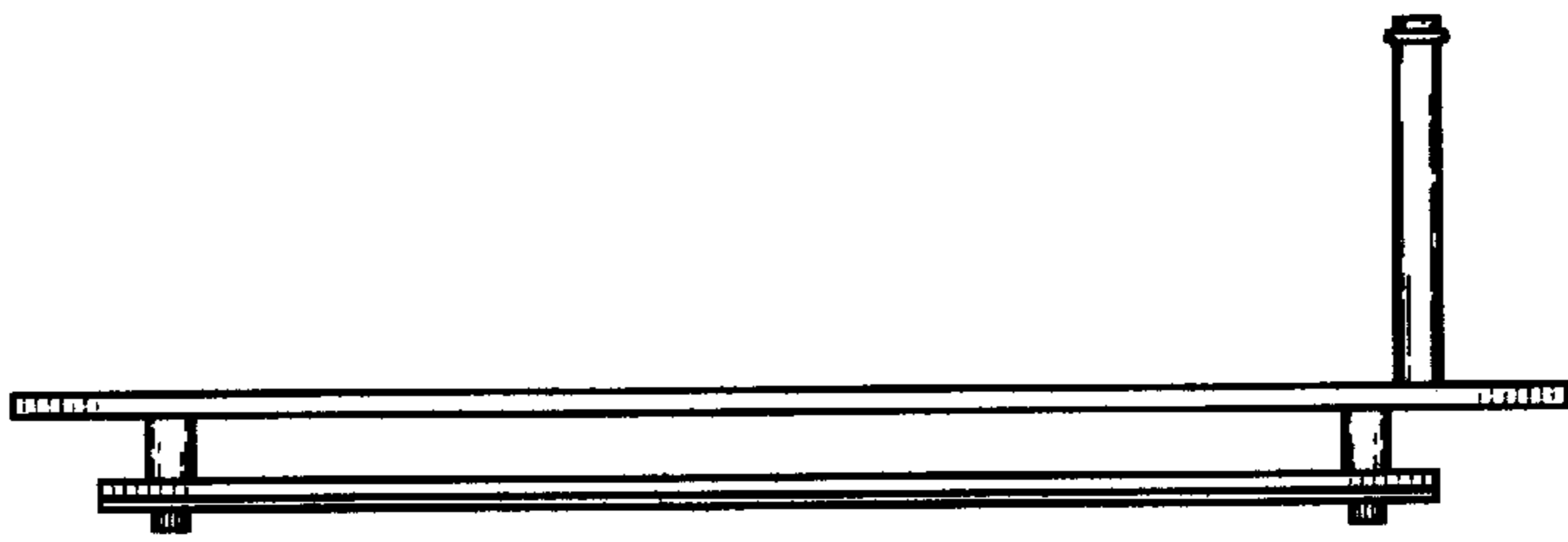


FIG. 10

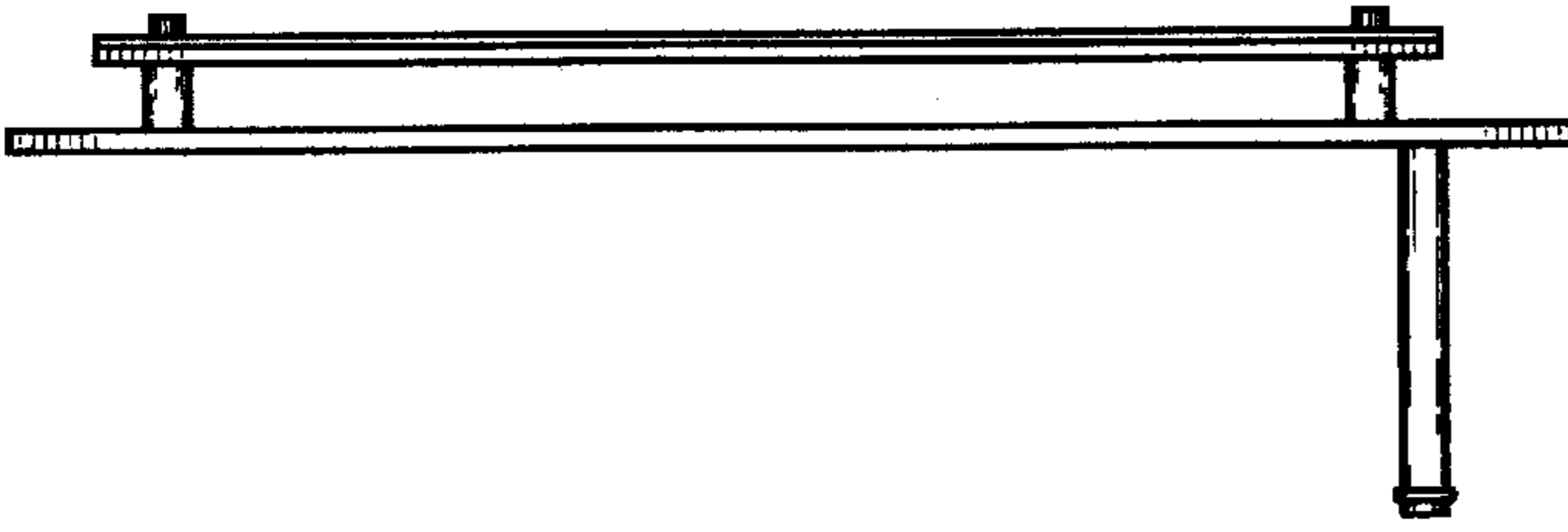


FIG. 14

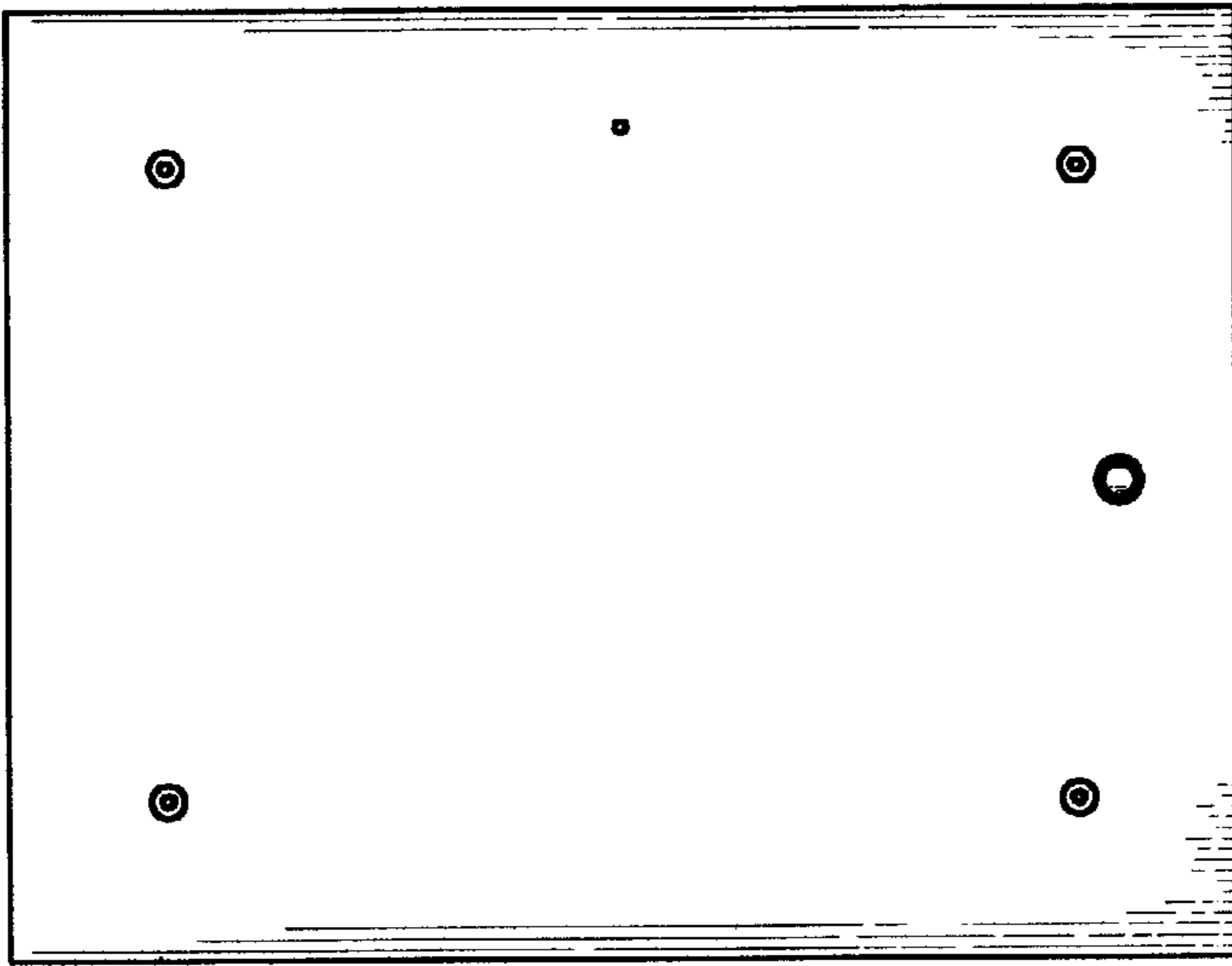


FIG. 13

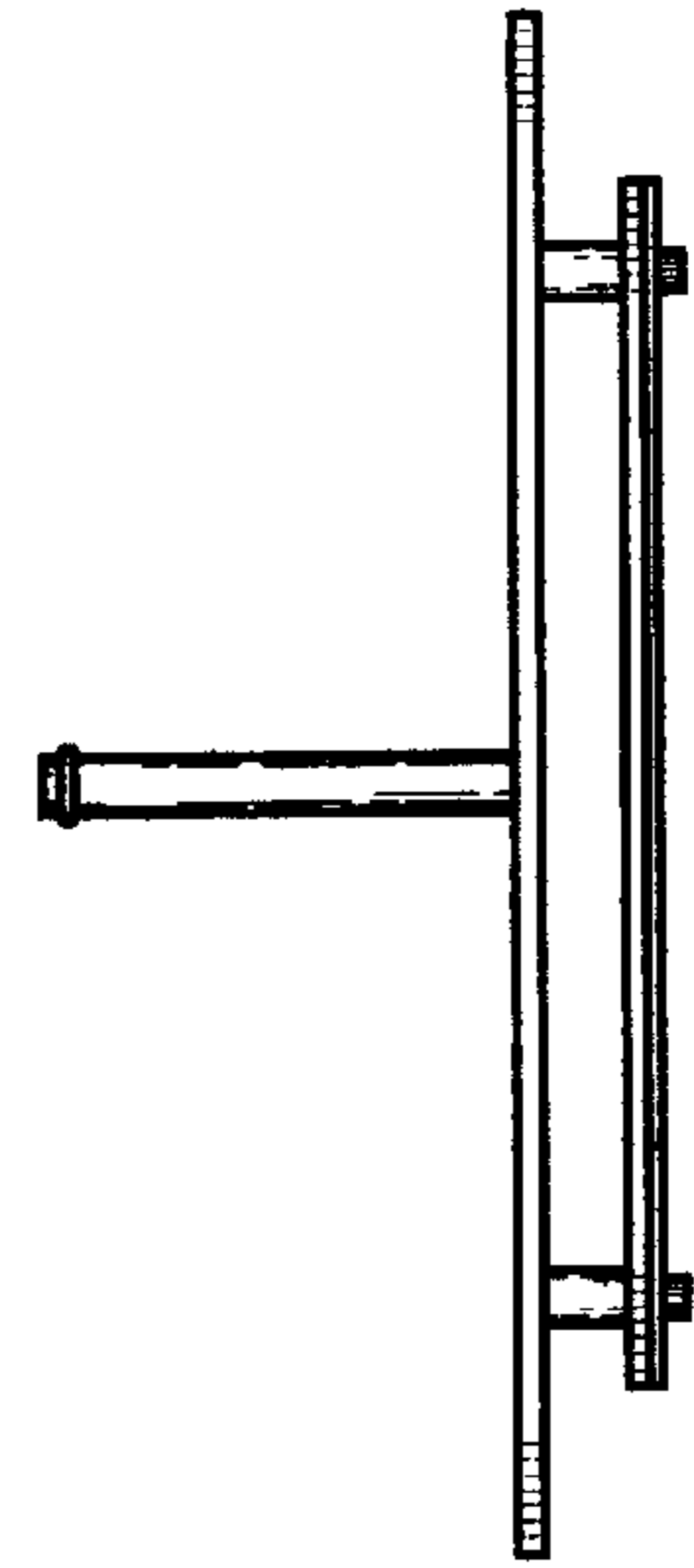


FIG. 12

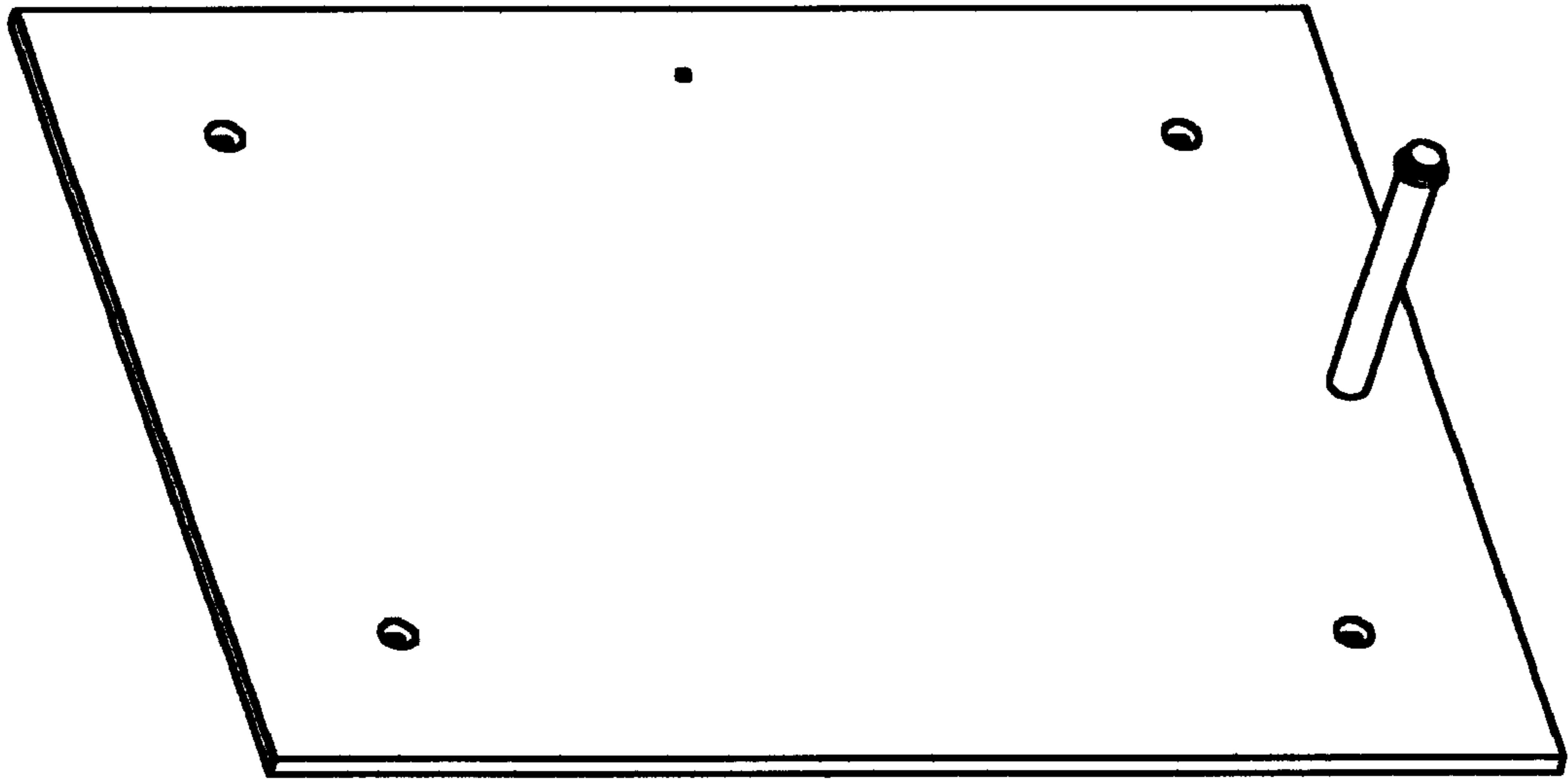


FIG. 16

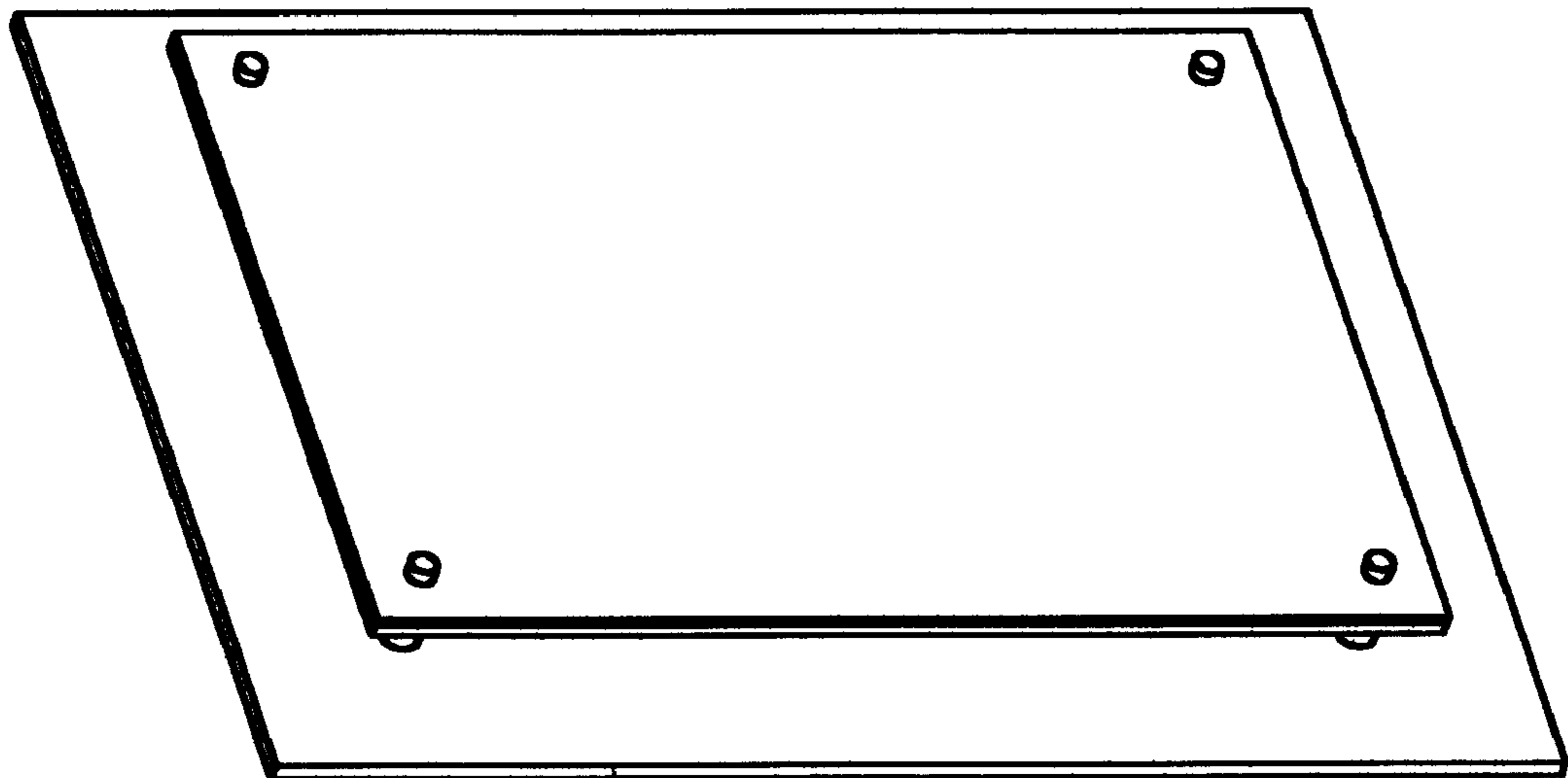
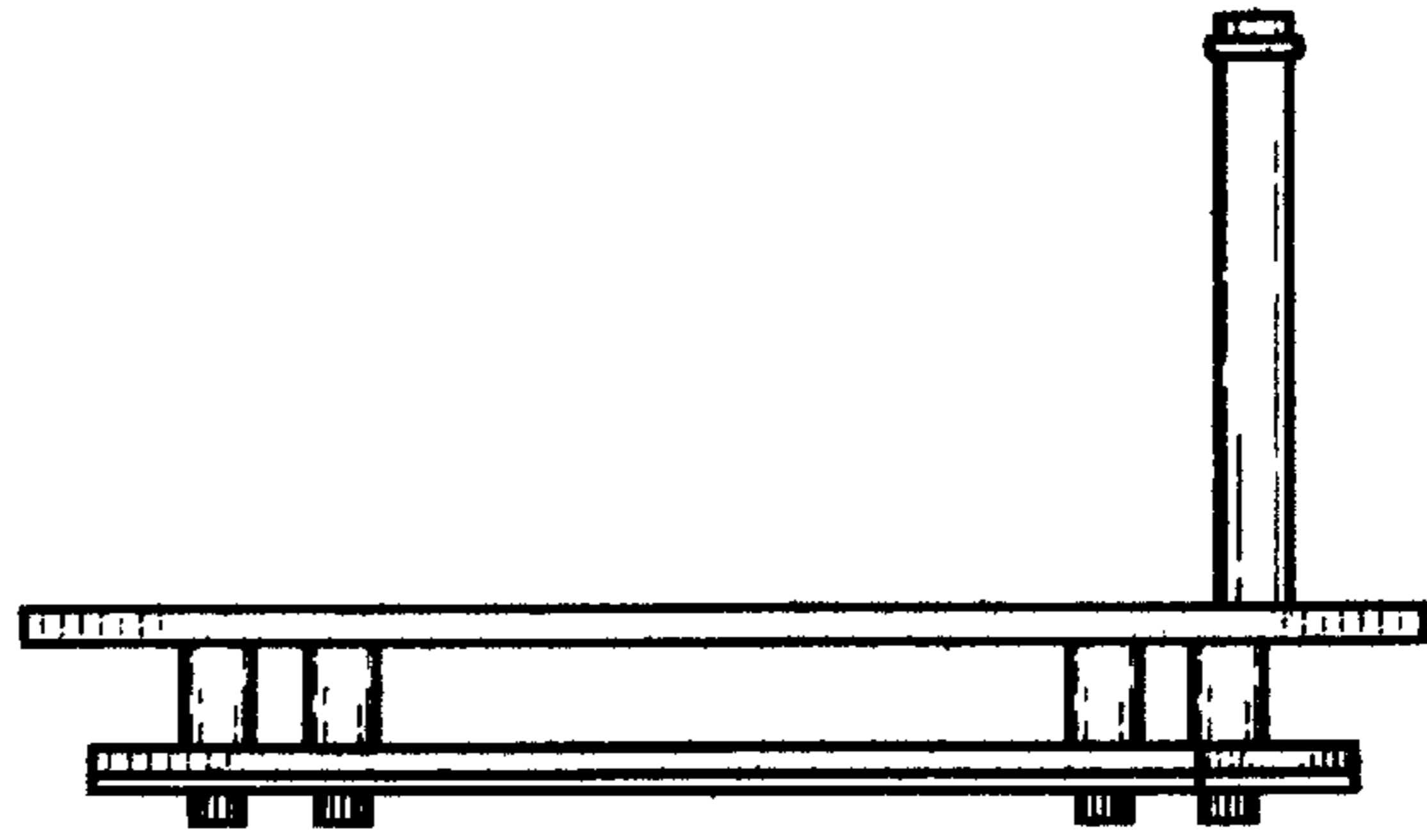
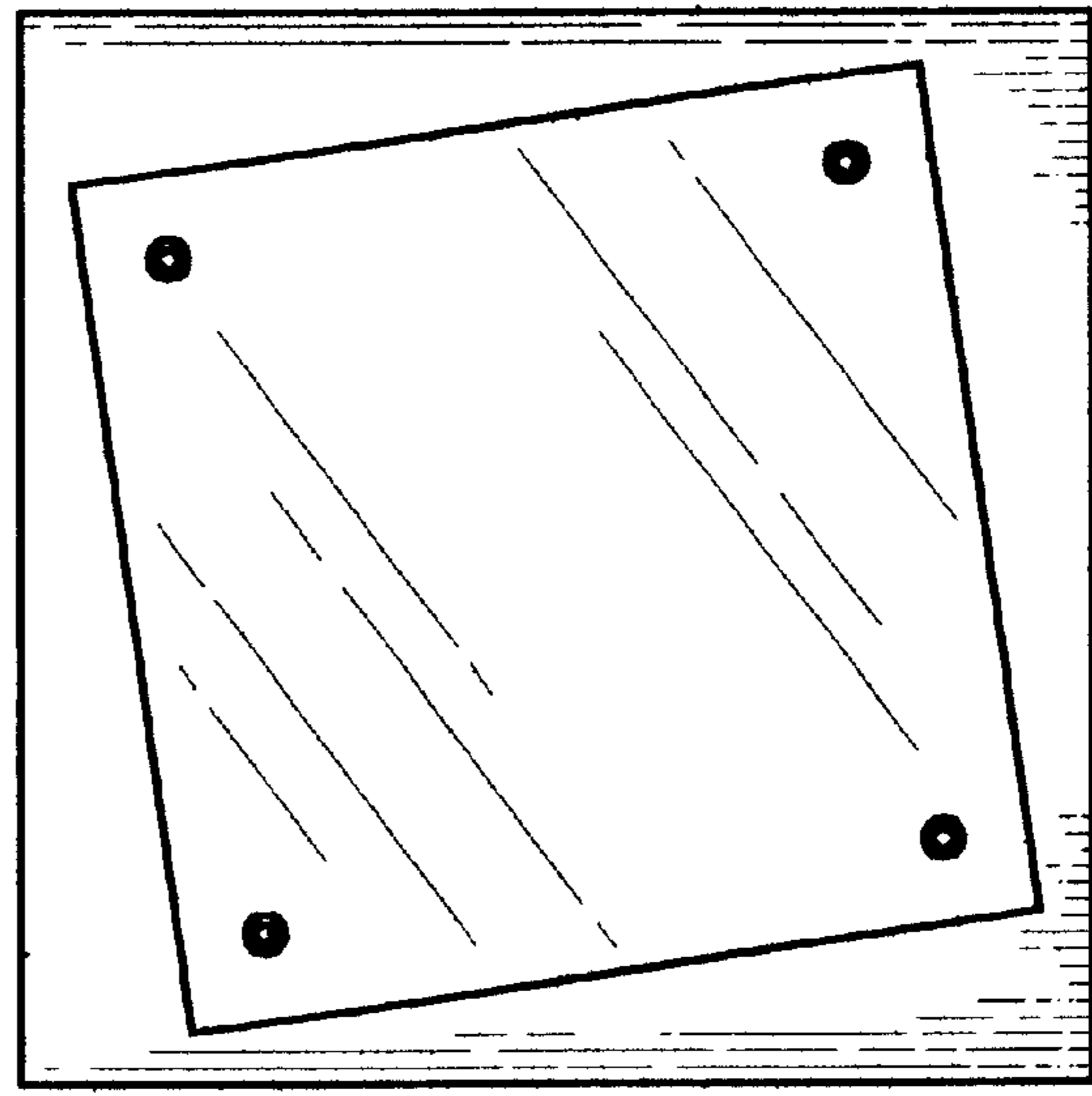
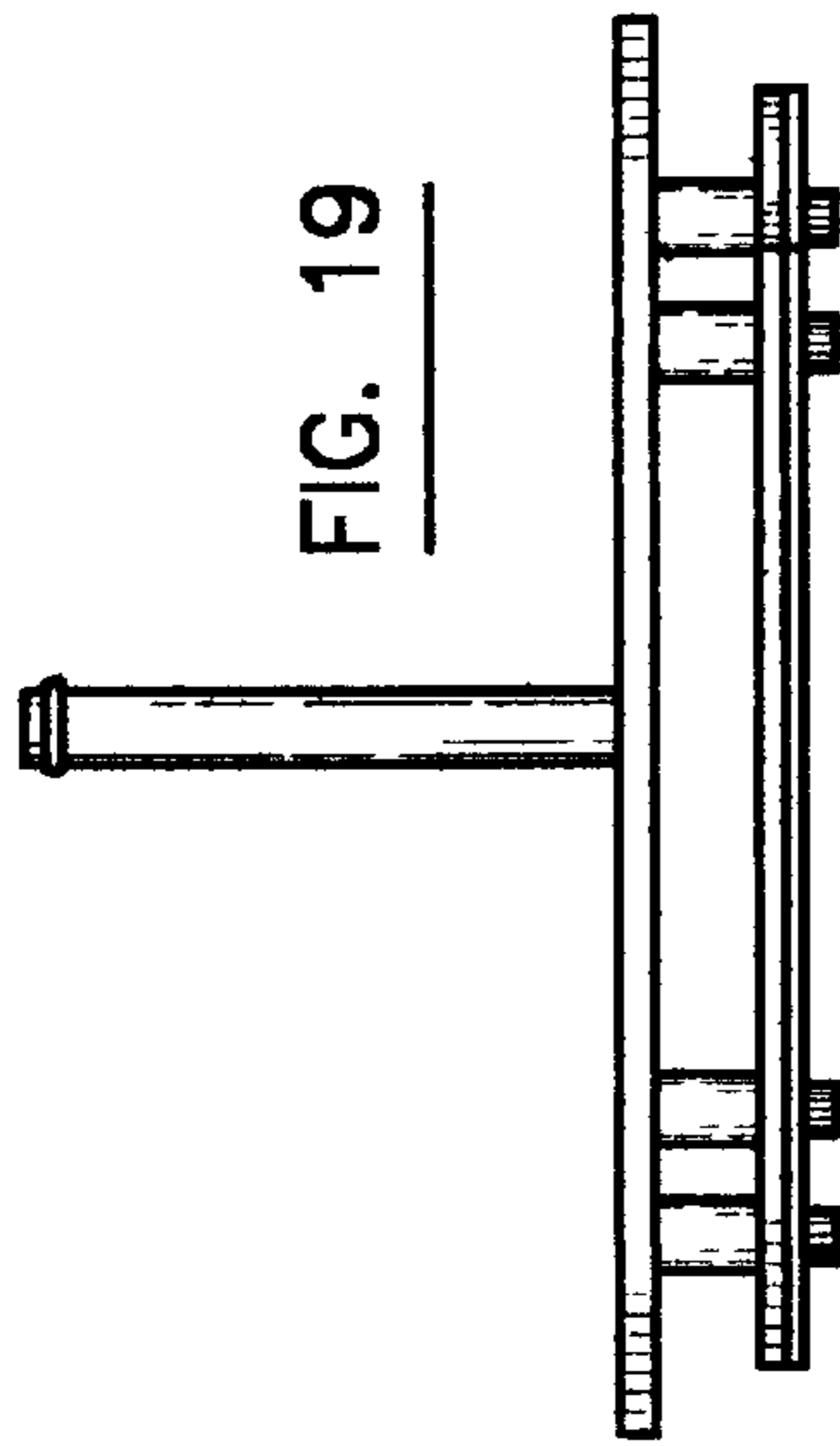


FIG. 15





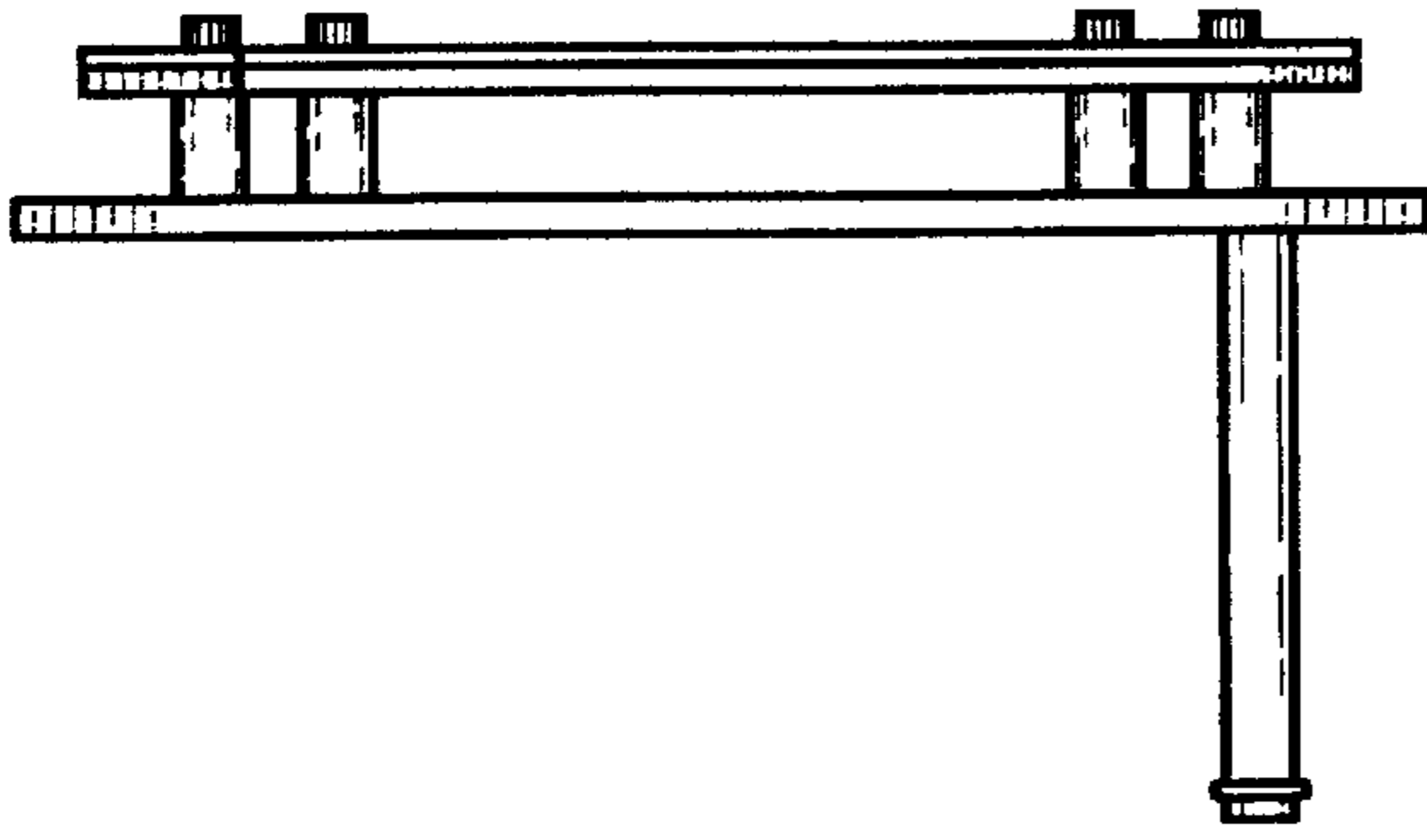


FIG. 22

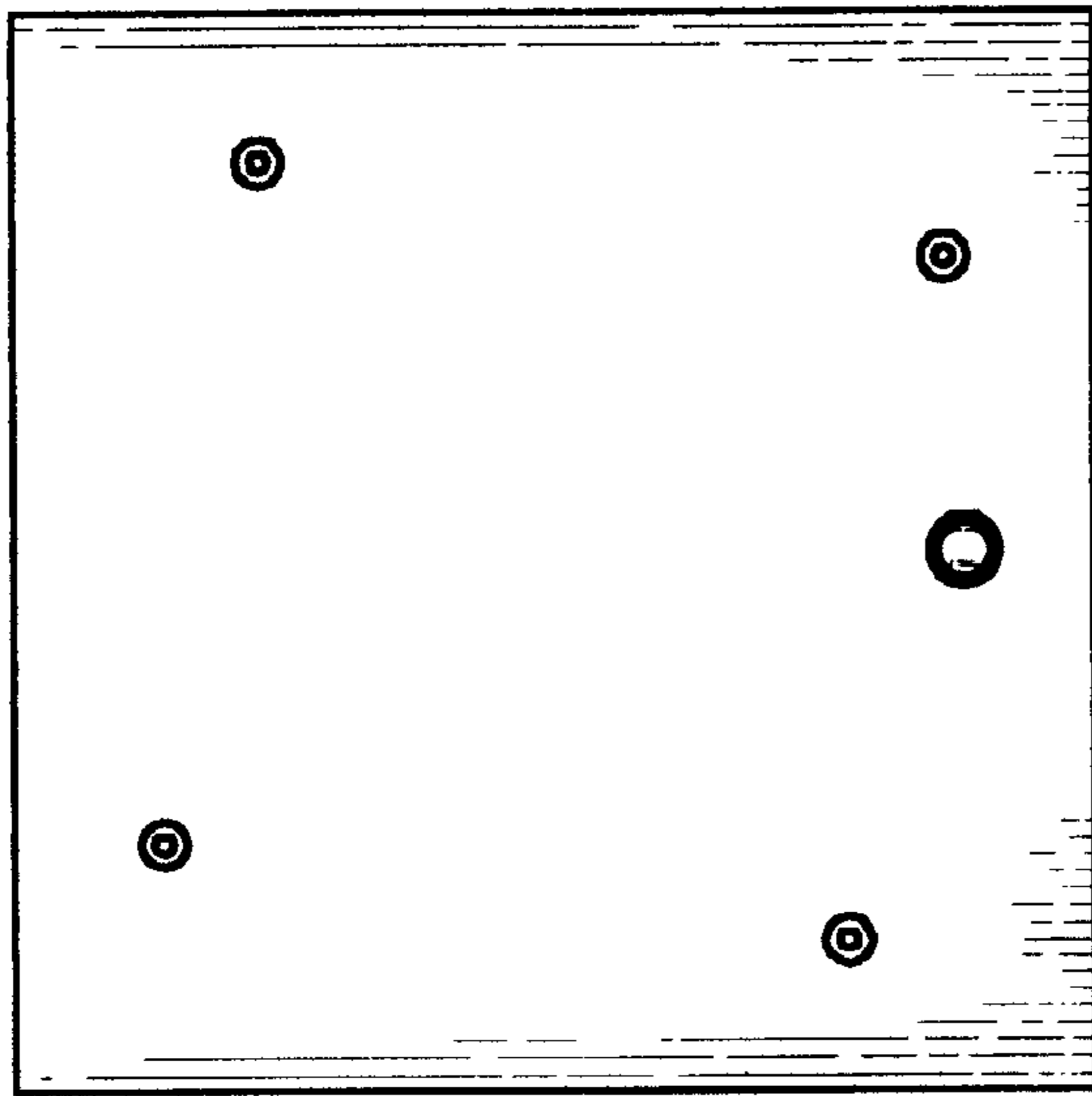


FIG. 21

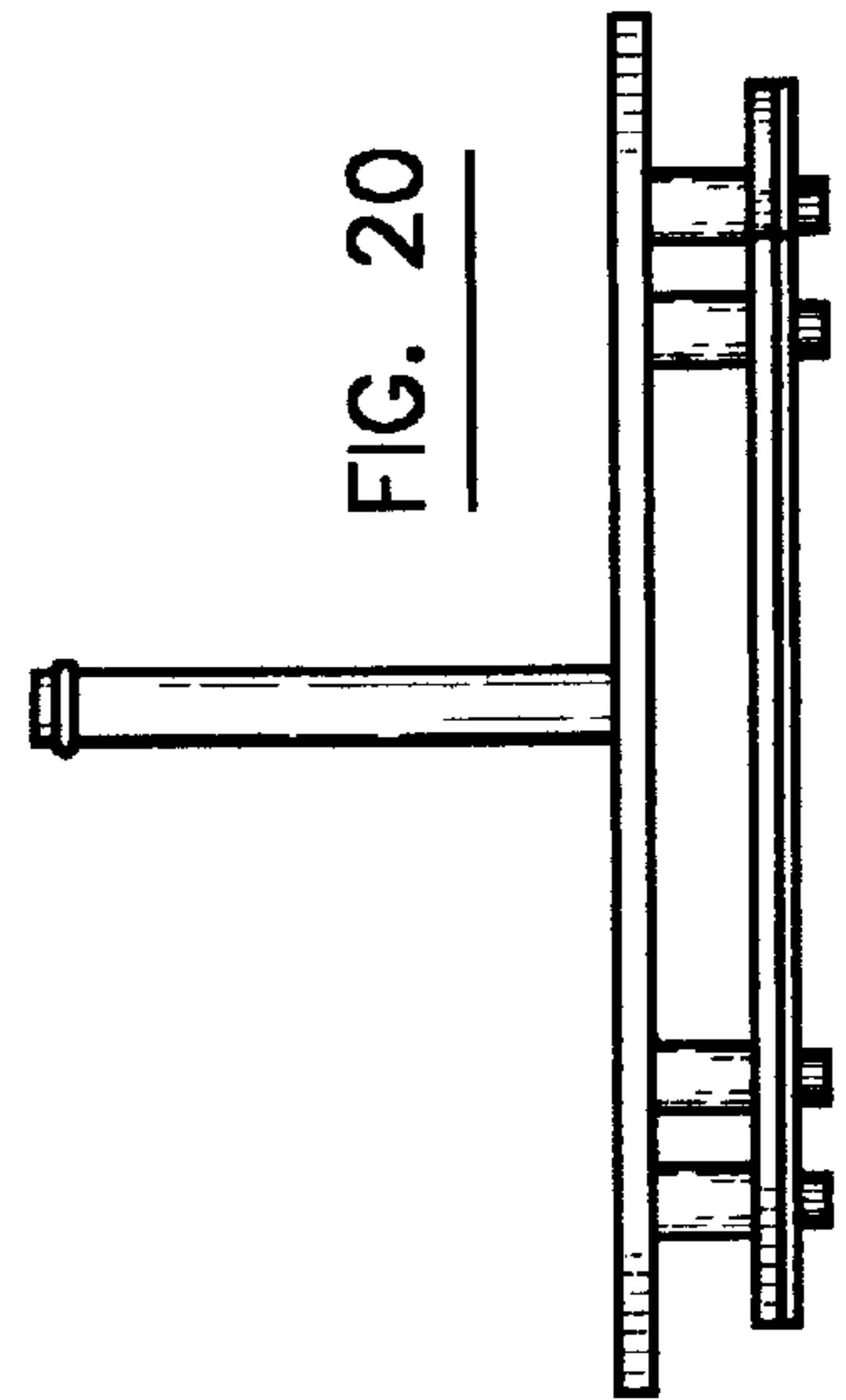


FIG. 20

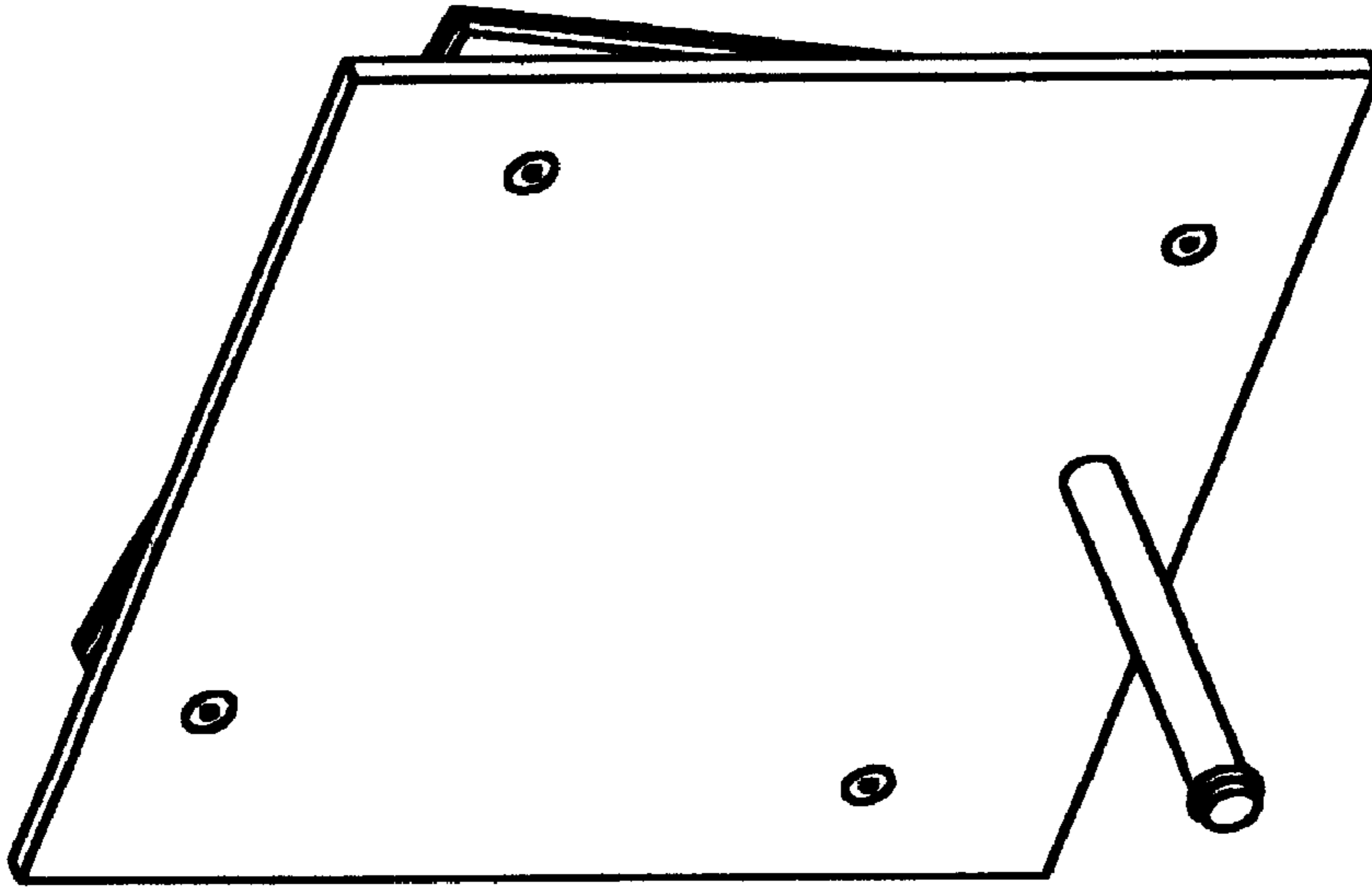


FIG. 24

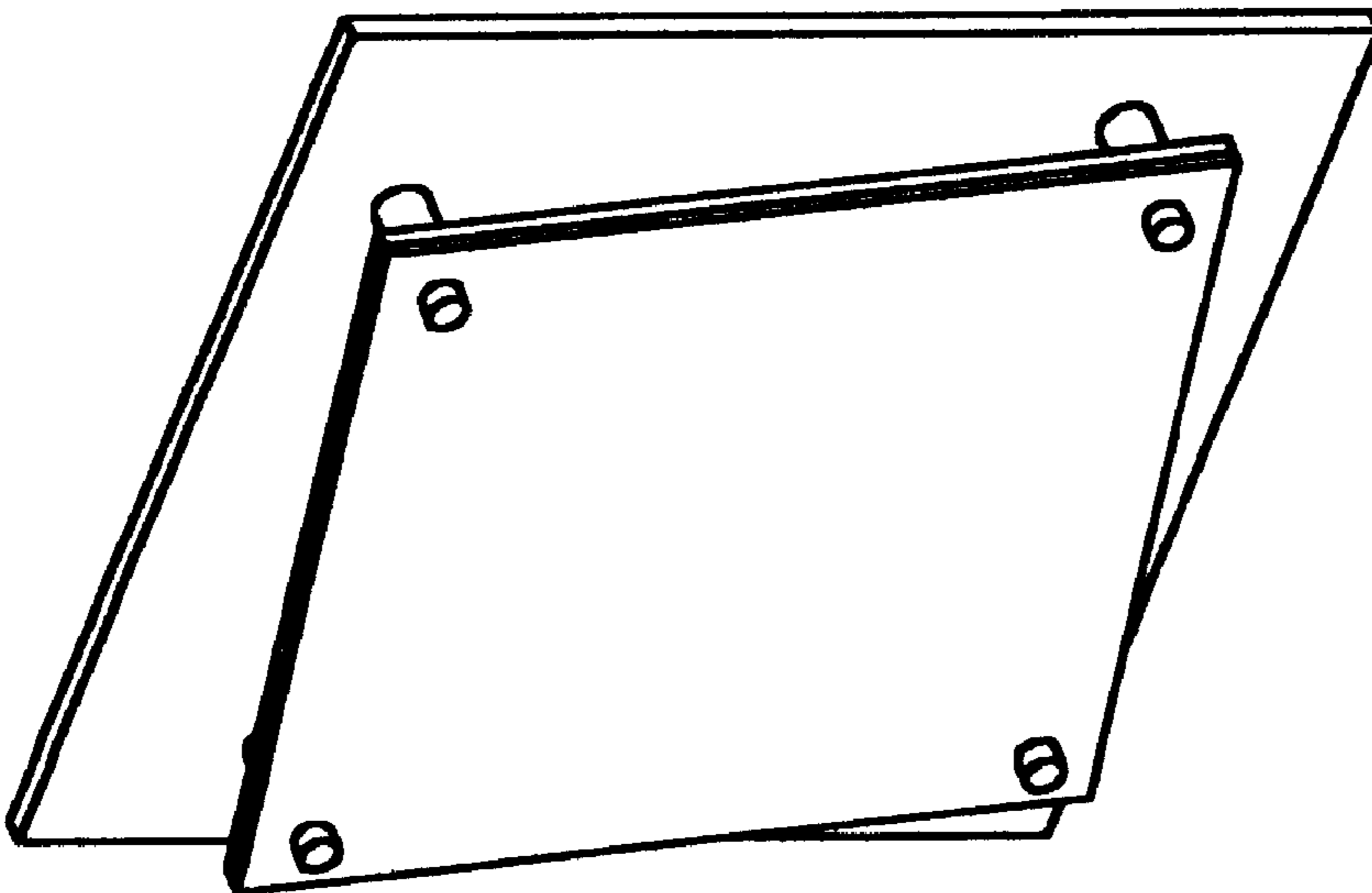


FIG. 23

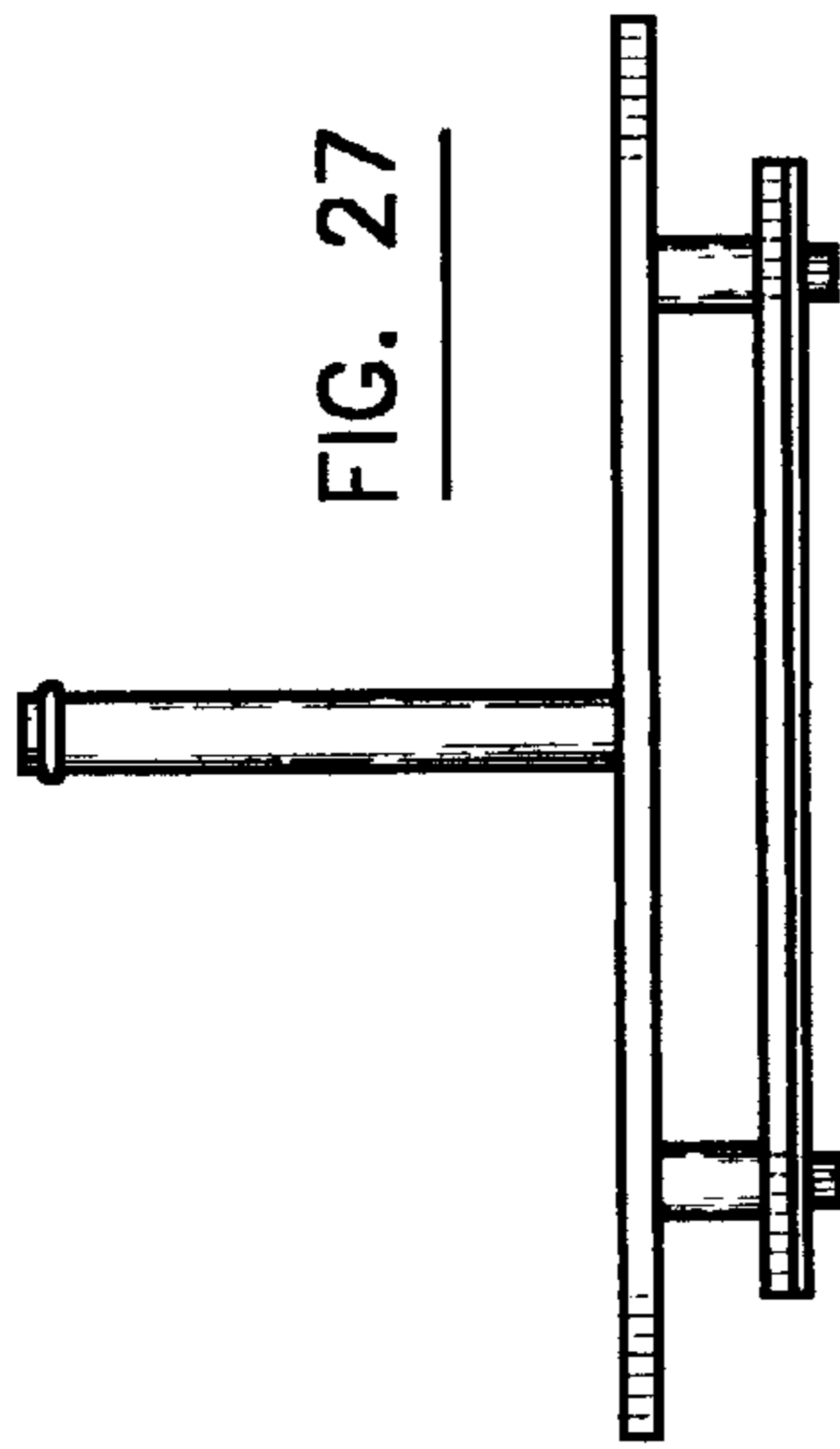


FIG. 27

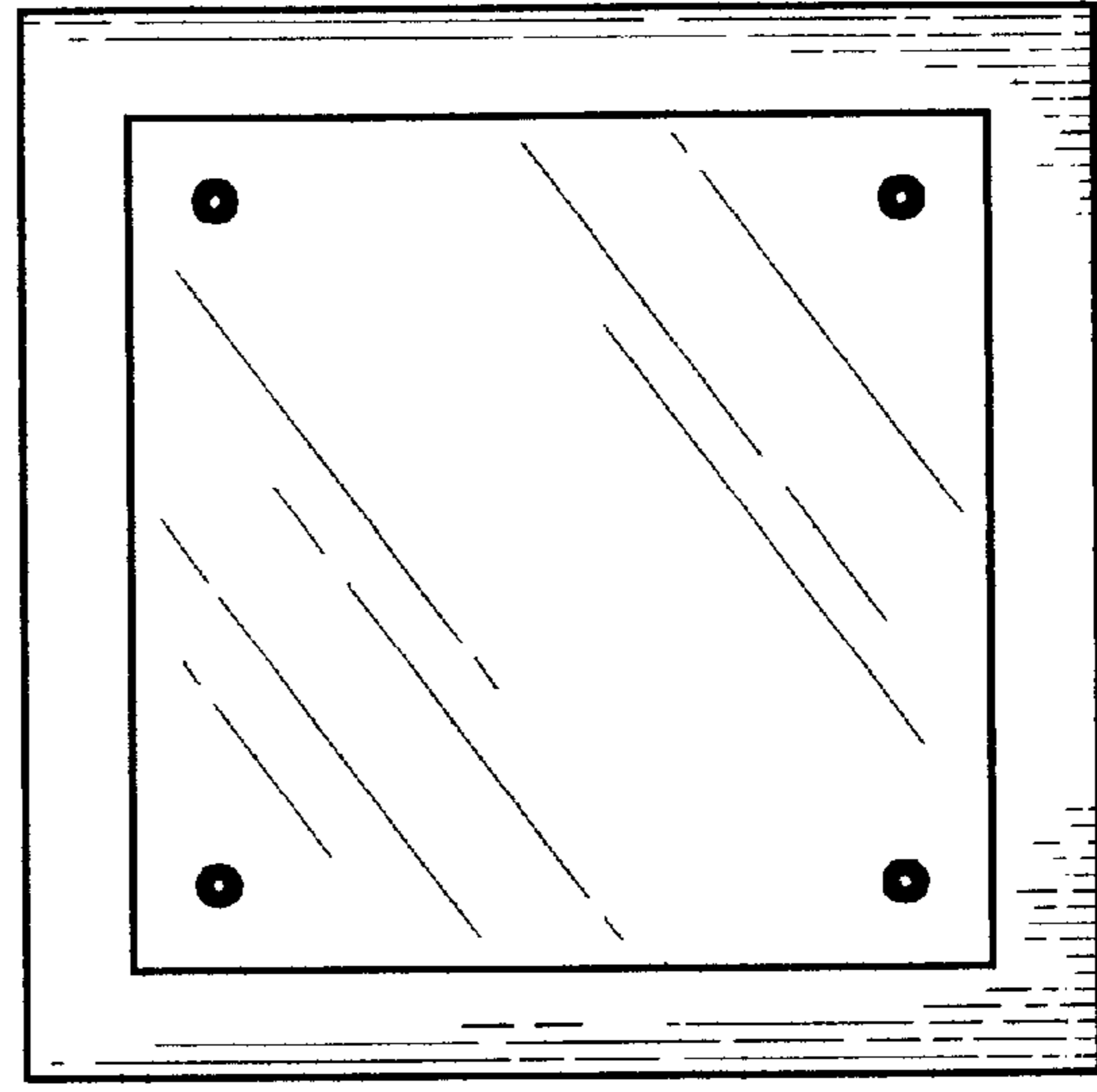


FIG. 25

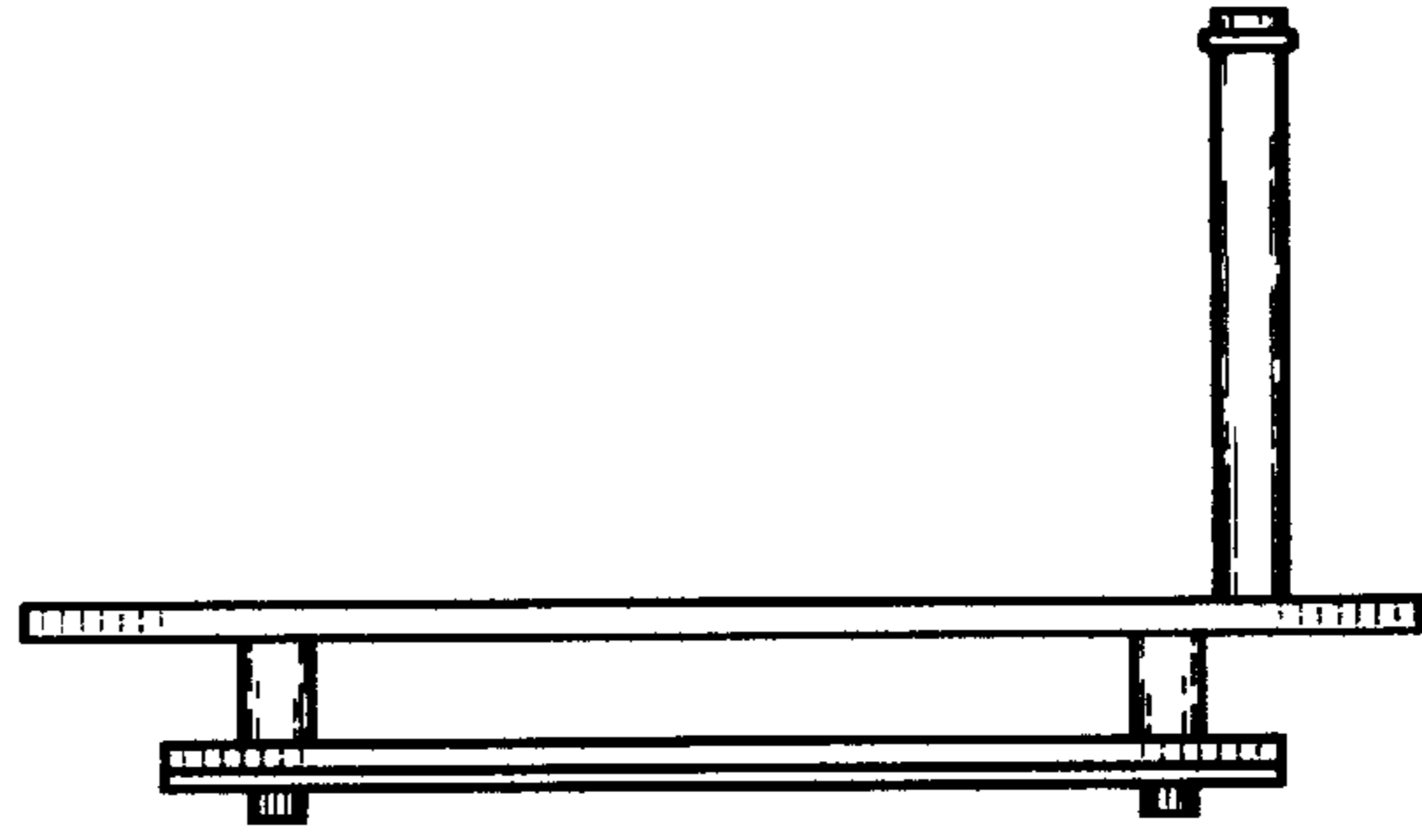


FIG. 26

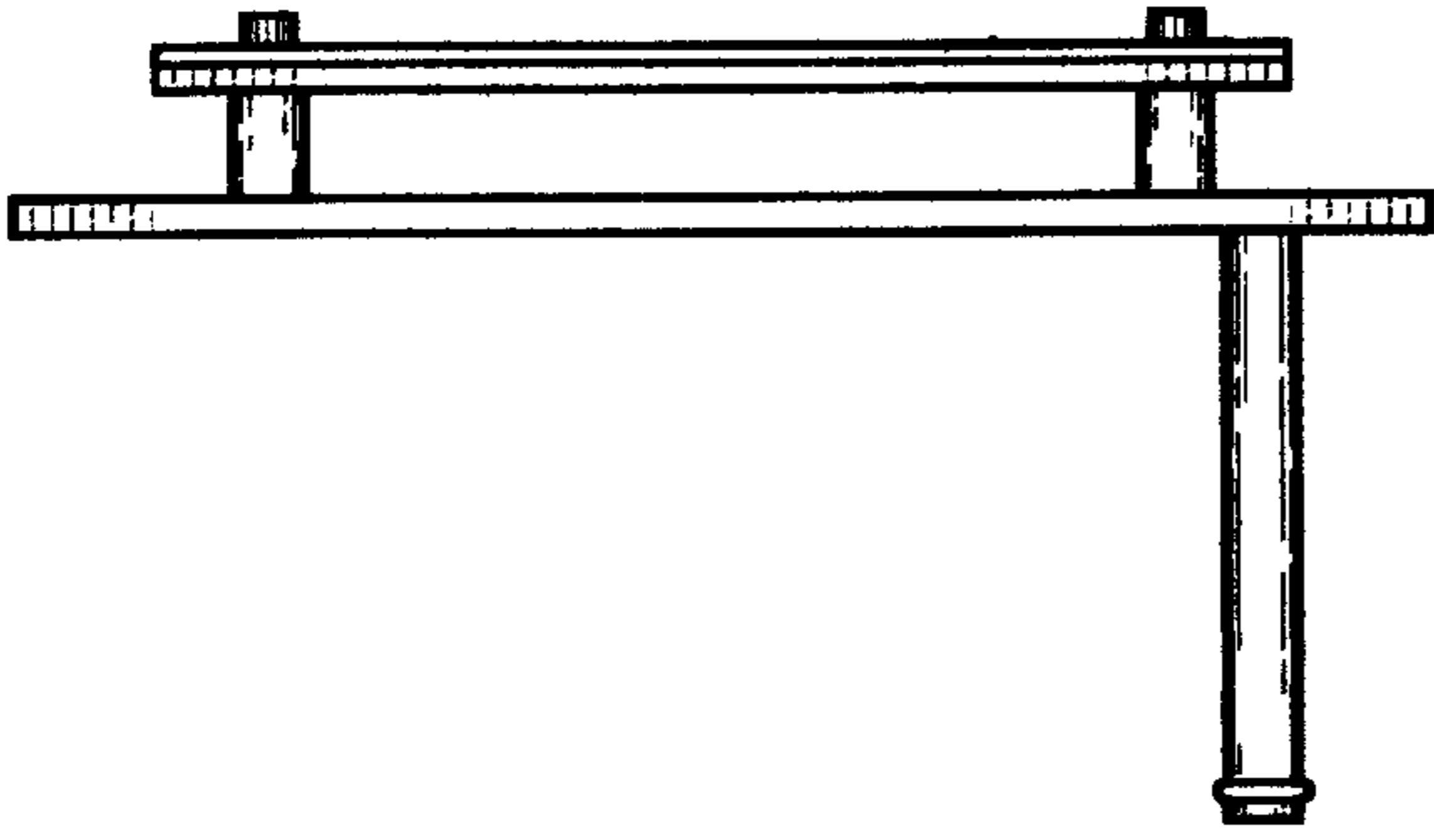


FIG. 30

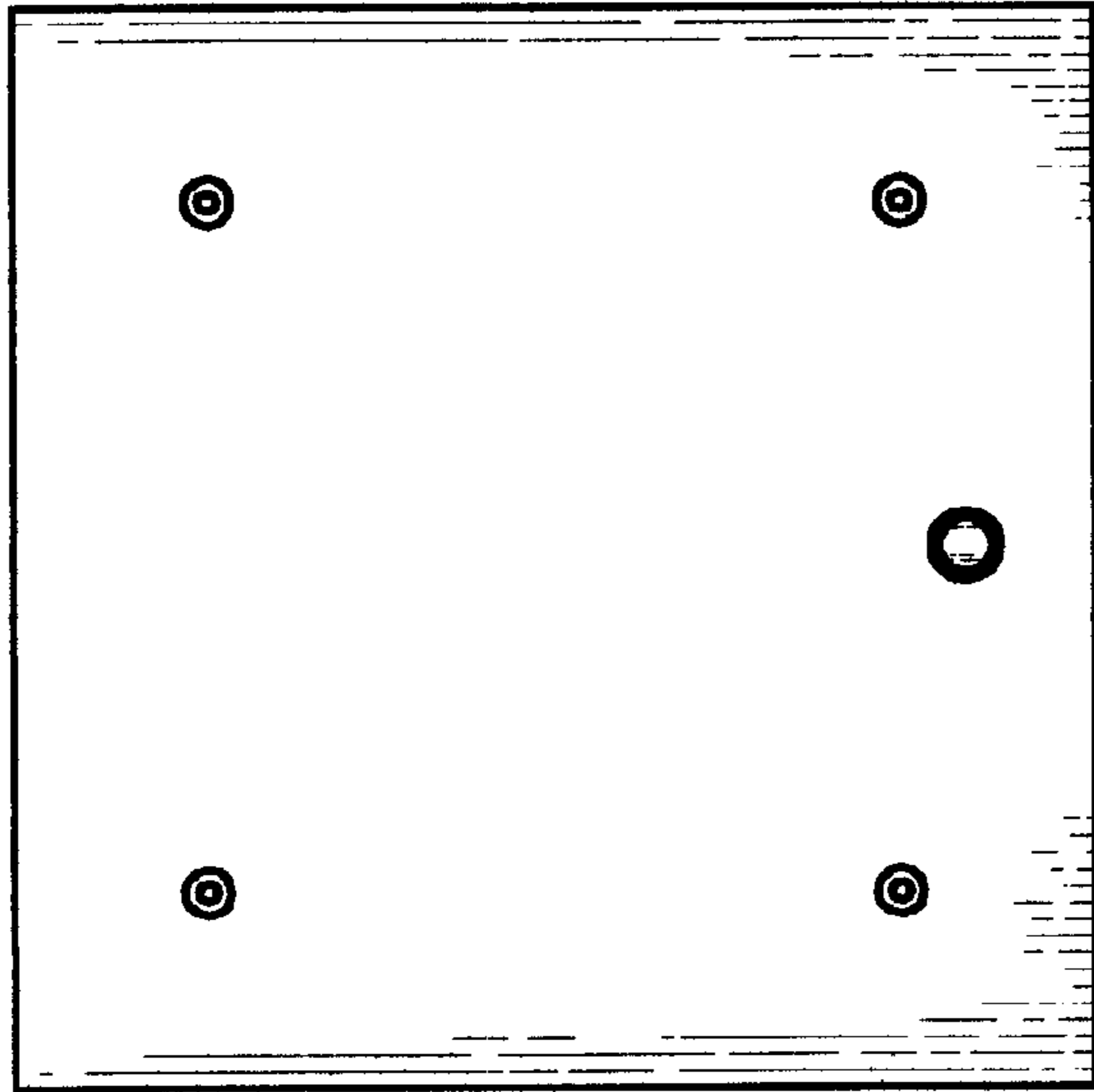


FIG. 29

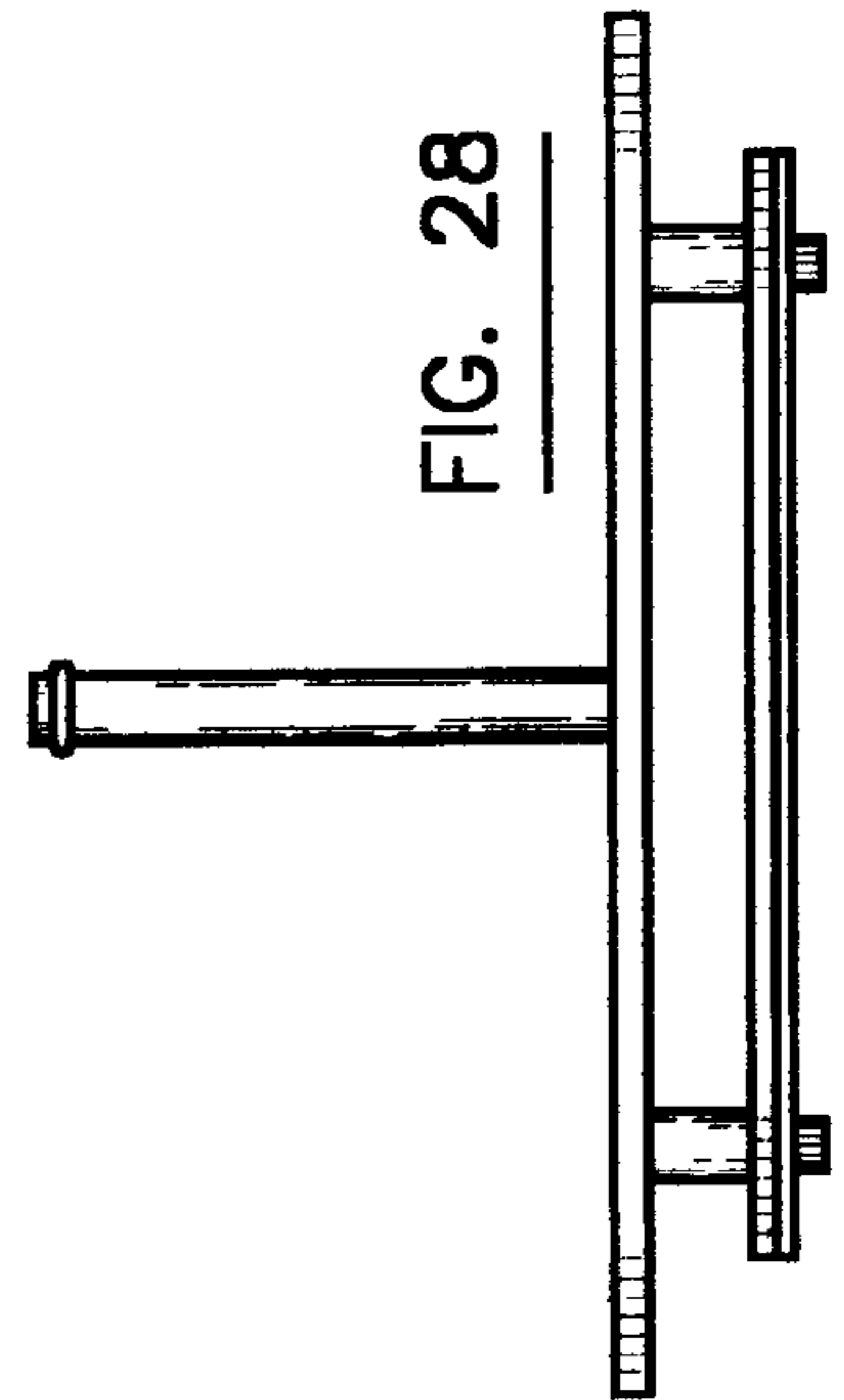


FIG. 28

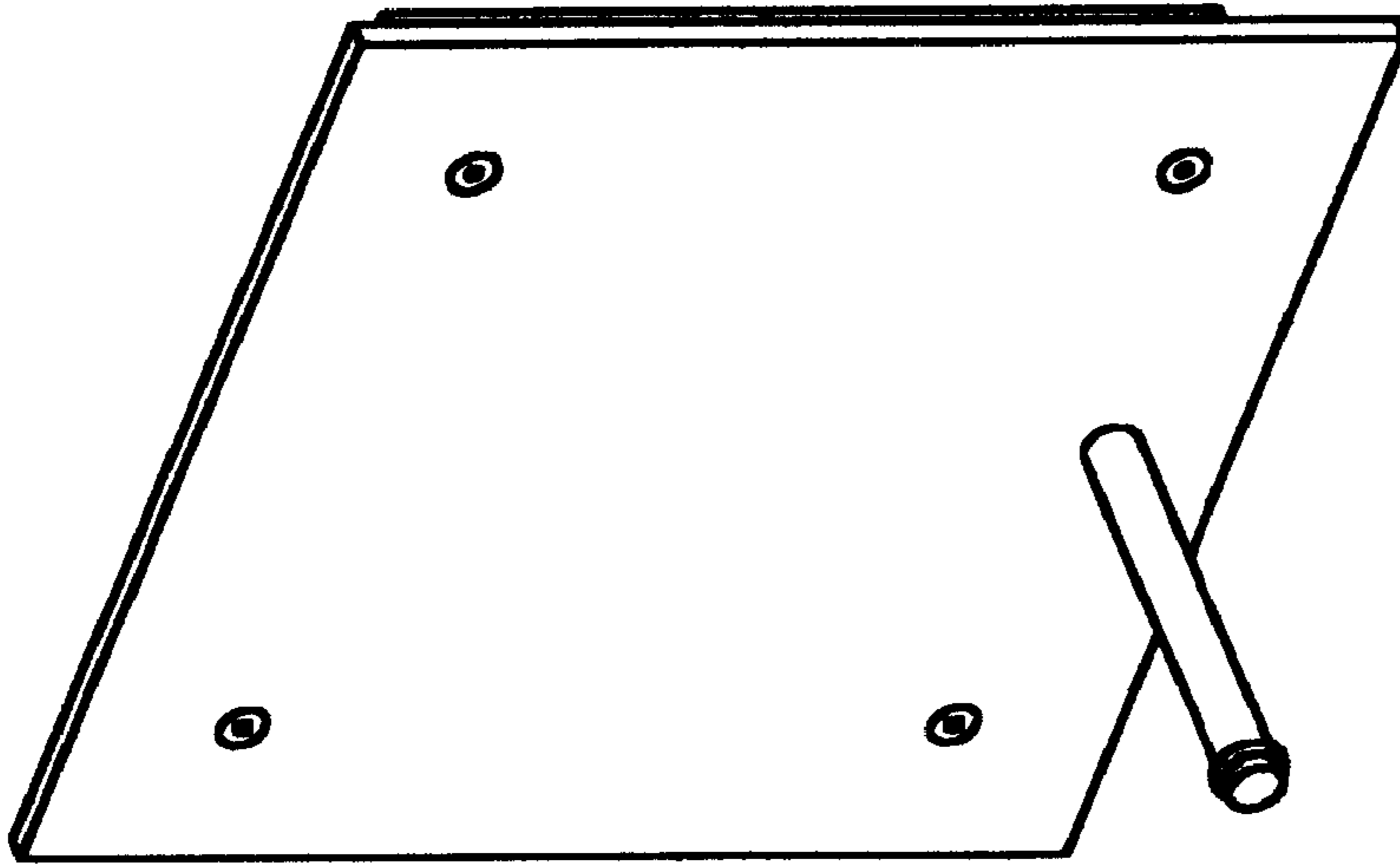


FIG. 32

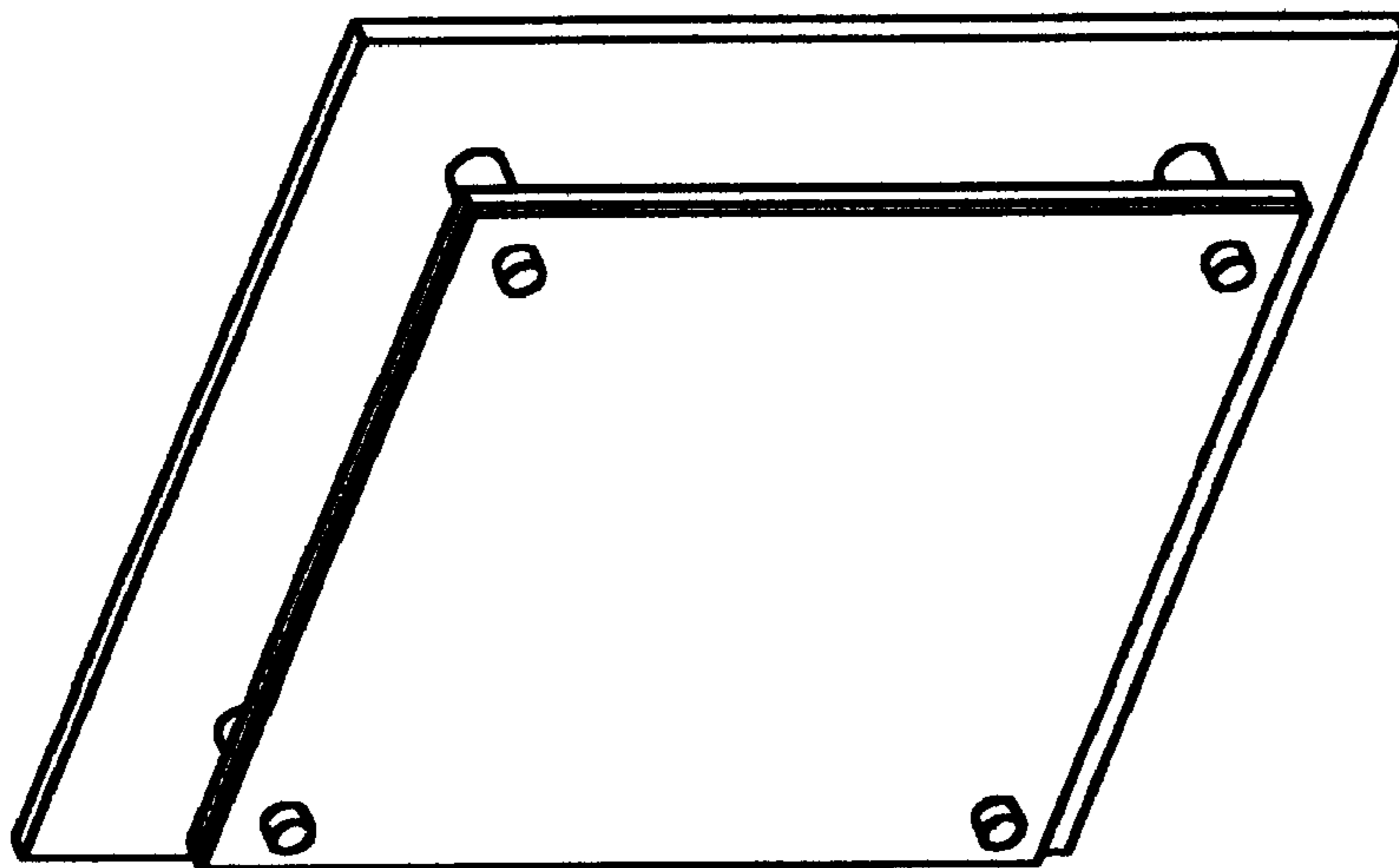


FIG. 31