



US00D461316S

(12) **United States Design Patent**
Park

(10) **Patent No.:** **US D461,316 S**

(45) **Date of Patent:** **** Aug. 13, 2002**

(54) **HAIRBRUSH**

D421,680 S * 3/2000 Worthington D4/128

(75) Inventor: **Young Ho Park**, Seoul (KR)

FOREIGN PATENT DOCUMENTS

(73) Assignee: **Sang Shin Industrial Co., Ltd.**,
Namyangjoo (KR)

JP 11-103934 * 4/1999 A46B/5/00

(**) Term: **14 Years**

* cited by examiner

(21) Appl. No.: **29/154,540**

Primary Examiner—Alan P. Douglas

Assistant Examiner—Lavone Tabor

(22) Filed: **Jan. 24, 2002**

(74) *Attorney, Agent, or Firm*—John K. Park; Park & Sutton LLP

(51) **LOC (7) Cl.** **04-02**

(52) **U.S. Cl.** **D4/128**

(58) **Field of Search** D4/128, 132, 133,
D4/138; 15/27, 143.1, 159.1, 160, 186,
187, 191.1; 132/120, 212, 271, 313, 262;
D28/13, 35

(57) **CLAIM**

The ornamental design for a hairbrush, as shown and described.

(56) **References Cited**

U.S. PATENT DOCUMENTS

- D250,069 S * 10/1978 Wachtel D4/128
- 5,887,600 A * 3/1999 Wilk 132/262
- 5,911,226 A * 6/1999 Vecchiola et al. 15/160 X
- 5,954,064 A * 9/1999 Motherhead 132/262

DESCRIPTION

FIG. 1 is a perspective view of the hairbrush.
 FIG. 2 is a front view of the hairbrush (the rear view being identical to the front view of the hair brush).
 FIG. 3 is a left side view of the hairbrush (the right side view being identical to the left view of the hair brush).
 FIG. 4 is a top end view of the hair brush of FIG. 1; and,
 FIG. 5 is a bottom end view of the hair brush of FIG. 1.

1 Claim, 4 Drawing Sheets

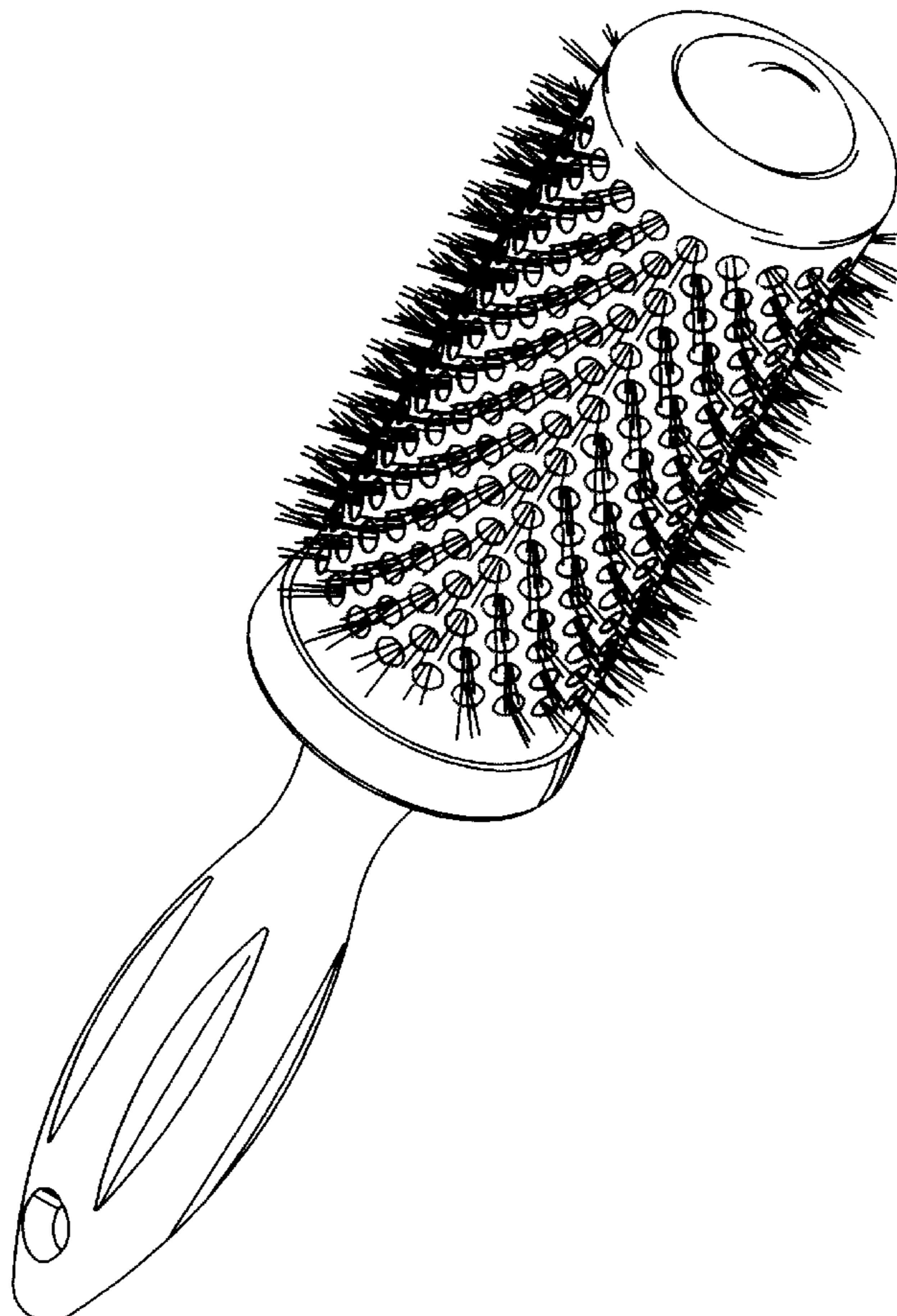


FIG. 1

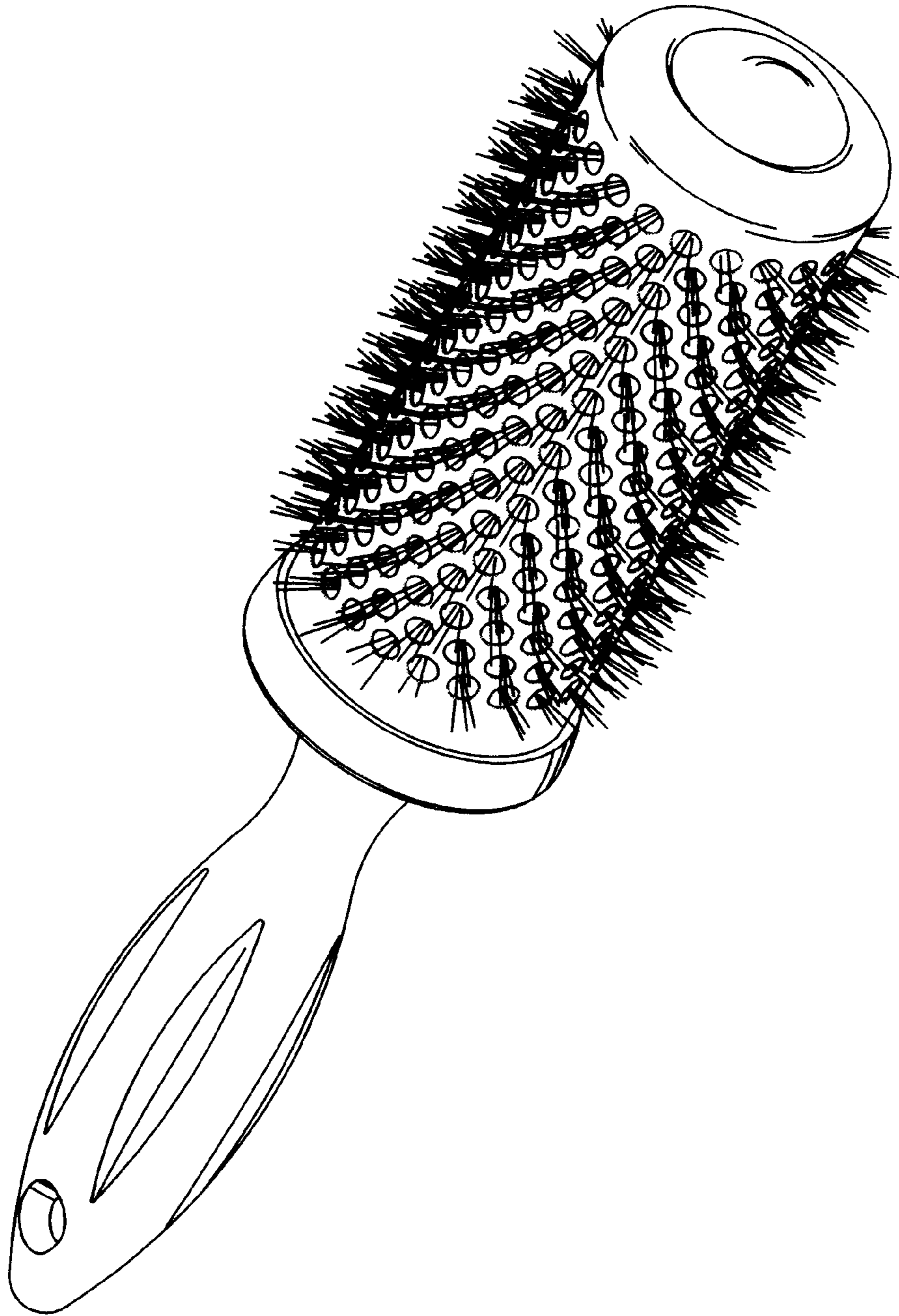


FIG. 2

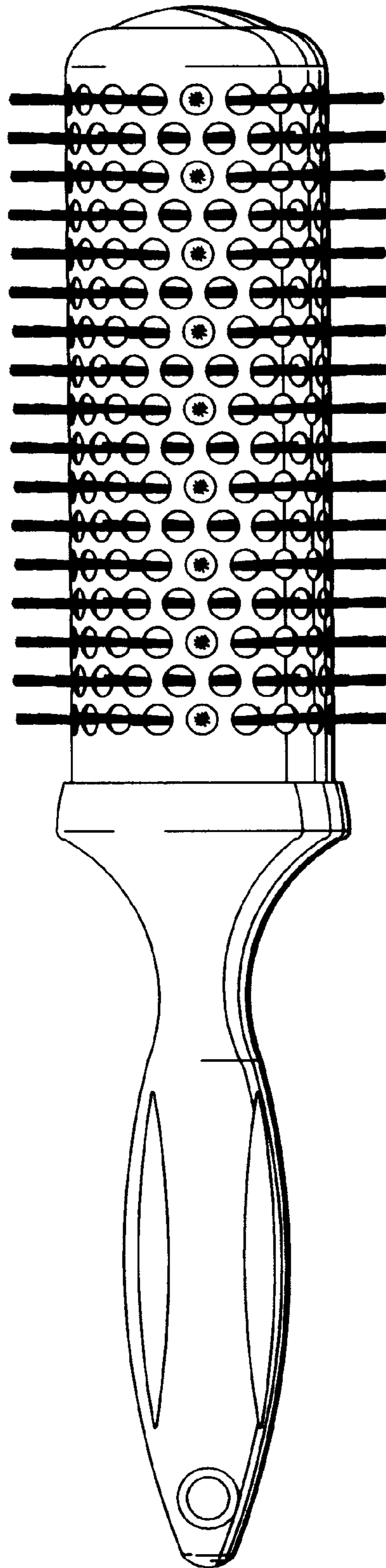


FIG. 3

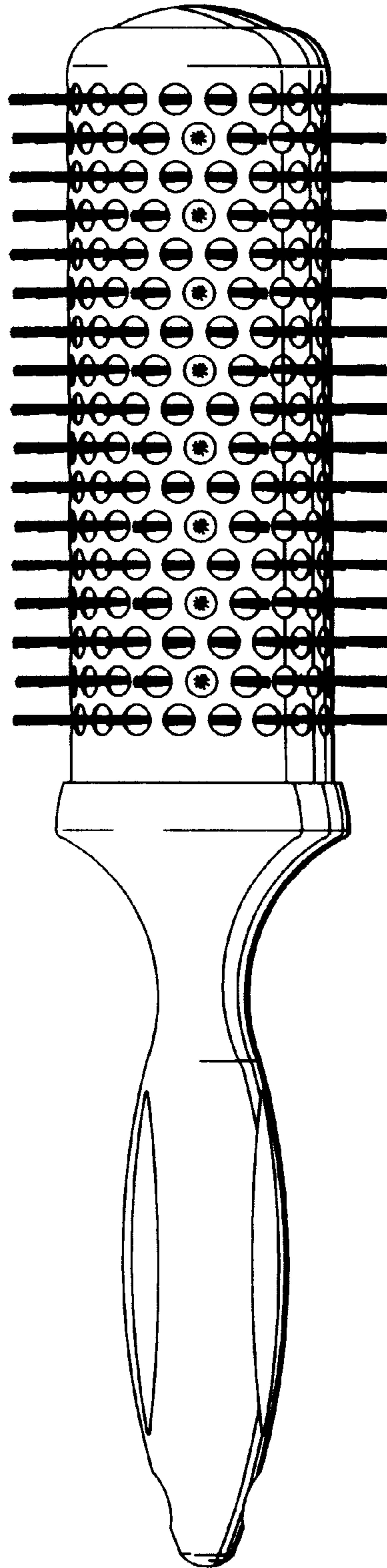


FIG. 4

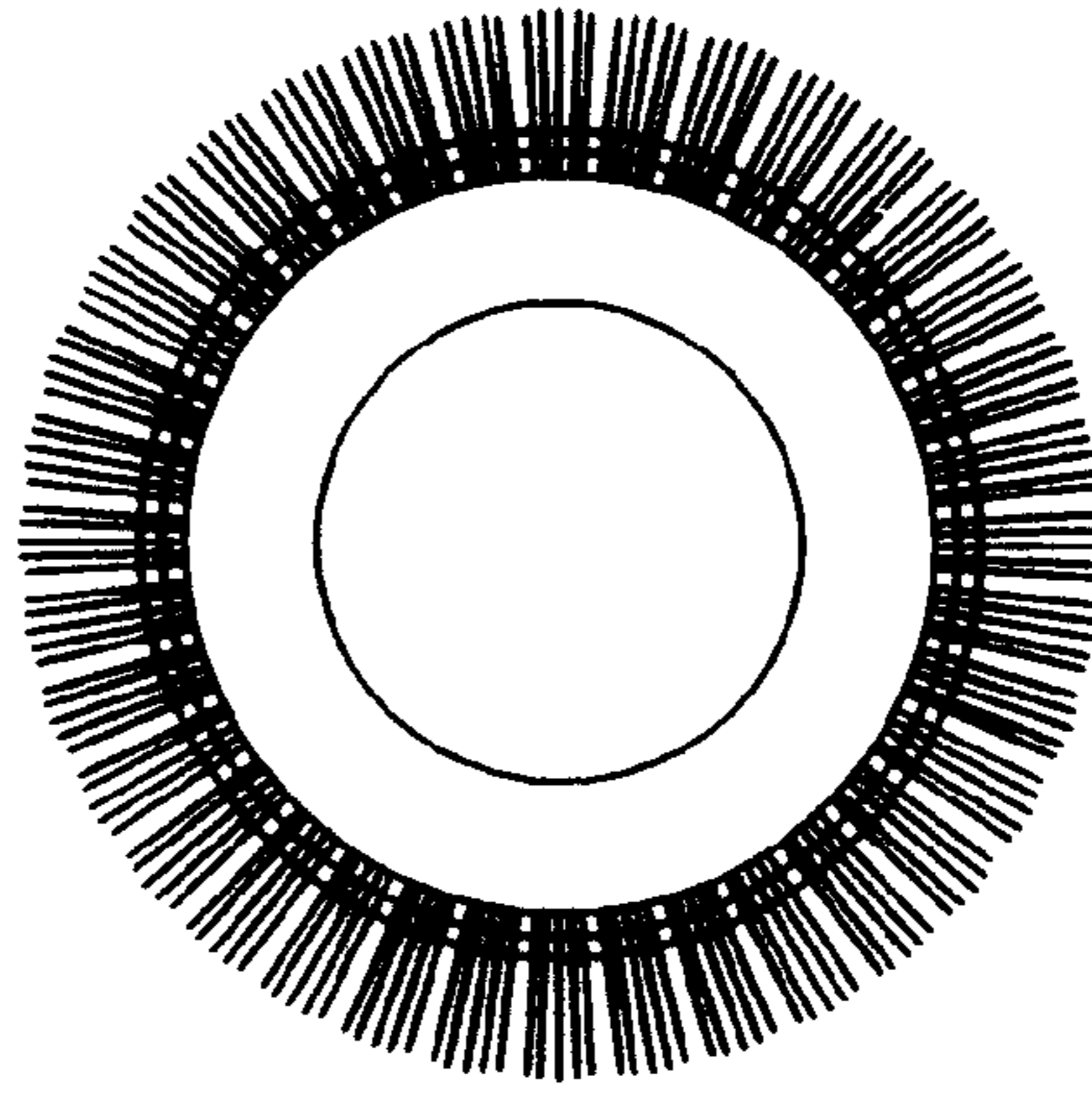


FIG. 5

