



US00D461311S

(12) **United States Design Patent**
Gharib

(10) **Patent No.:** **US D461,311 S**

(45) **Date of Patent:** **** Aug. 13, 2002**

(54) **CADDY FOR TOOLS**

(75) Inventor: **Awad Aly Gharib**, East Windsor, CT (US)

(73) Assignee: **Hand Tool Design Corporation**, Wilmington, DE (US)

(**) Term: **14 Years**

(21) Appl. No.: **29/137,856**

(22) Filed: **Feb. 23, 2001**

(51) **LOC (7) Cl.** **03-01**

(52) **U.S. Cl.** **D3/315; D3/905**

(58) **Field of Search** D3/315, 905; D8/71; 206/349, 372, 373, 377, 379; D9/415

(56) **References Cited**

U.S. PATENT DOCUMENTS

3,997,053	A	*	12/1976	Bondhus	206/377
D355,826	S	*	2/1995	Chow	D3/294
5,394,984	A	*	3/1995	Aiba	206/372
D365,681	S	*	1/1996	Chow	D3/315
5,692,656	A	*	12/1997	Dembicks	206/377
5,816,401	A	*	10/1998	Vasudeva et al.	206/377
5,938,028	A	*	8/1999	Hu	206/377
6,032,796	A	*	3/2000	Hopper et al.	206/377

FOREIGN PATENT DOCUMENTS

DE 296 09 406 U1 9/1996

* cited by examiner

Primary Examiner—Philip S. Hyder

(74) *Attorney, Agent, or Firm*—Robert M. Gamson; Leonard Bloom

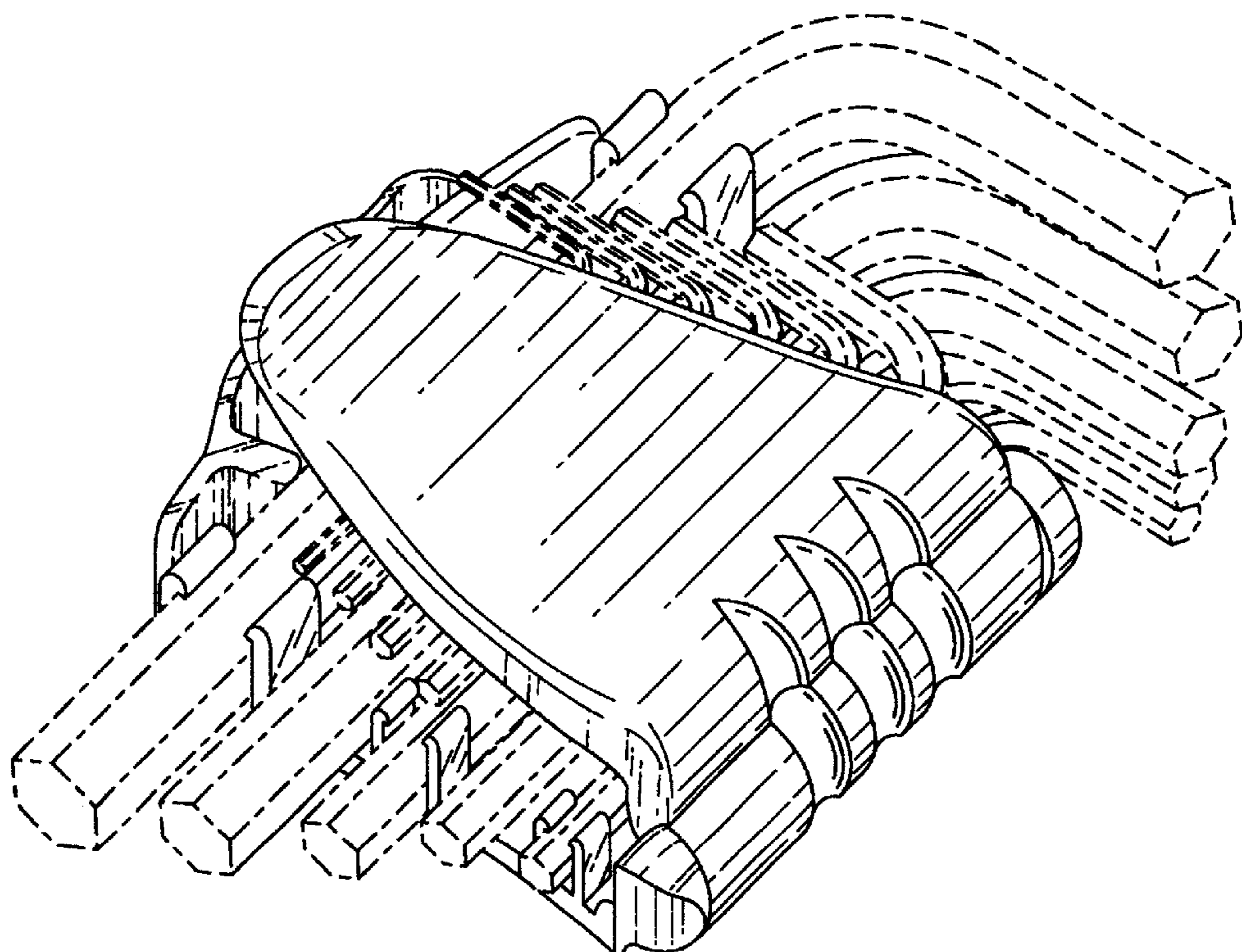
(57) **CLAIM**

The ornamental design for a caddy for tools, as shown and described.

DESCRIPTION

FIG. 1 is a right perspective view of the front of the caddy showing my new design, the broken lines illustrating hex keys retained in the caddy, forming no part of my design. FIG. 2 is a left perspective view of the front of the caddy of the same. FIG. 3 is a left perspective view of the back of the caddy of the same. FIG. 4 is a right perspective view of the back of the caddy of the same. FIG. 5 is a front elevation view thereof. FIG. 6 is a left side elevation view thereof. FIG. 7 is a right side elevation view thereof. FIG. 8 is a bottom plan view thereof. FIG. 9 is a top plan view thereof. FIG. 10 is a rear elevation view thereof. FIG. 11 is a front elevation view thereof showing the open caddy. FIG. 12 is a left side elevation view of the open caddy. FIG. 13 is a right side elevation view of the open caddy. FIG. 14 is a bottom plan view of the open caddy. FIG. 15 is a top plan view of the open caddy; and, FIG. 16 is a rear elevation view of the open caddy.

1 Claim, 6 Drawing Sheets



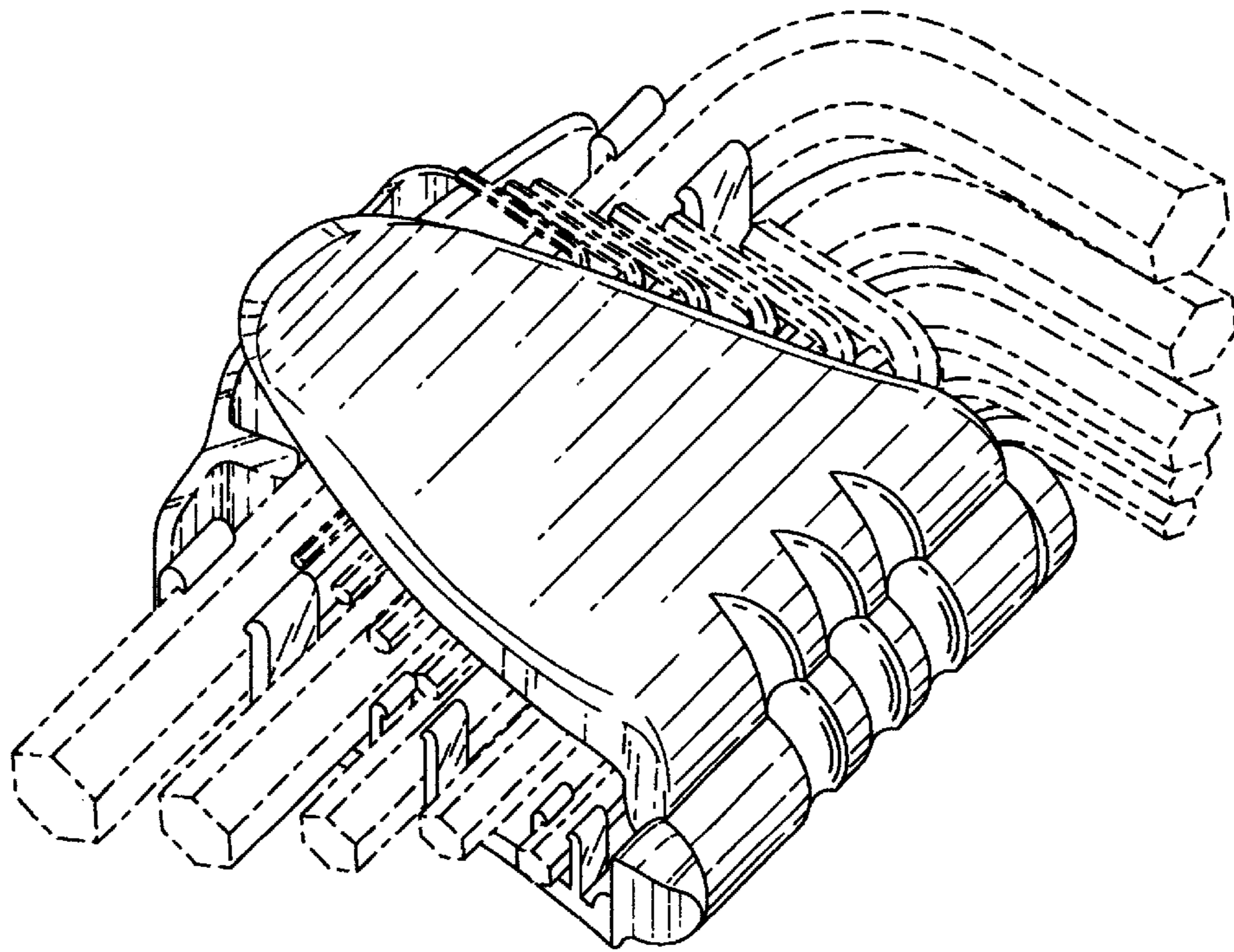


Fig 1

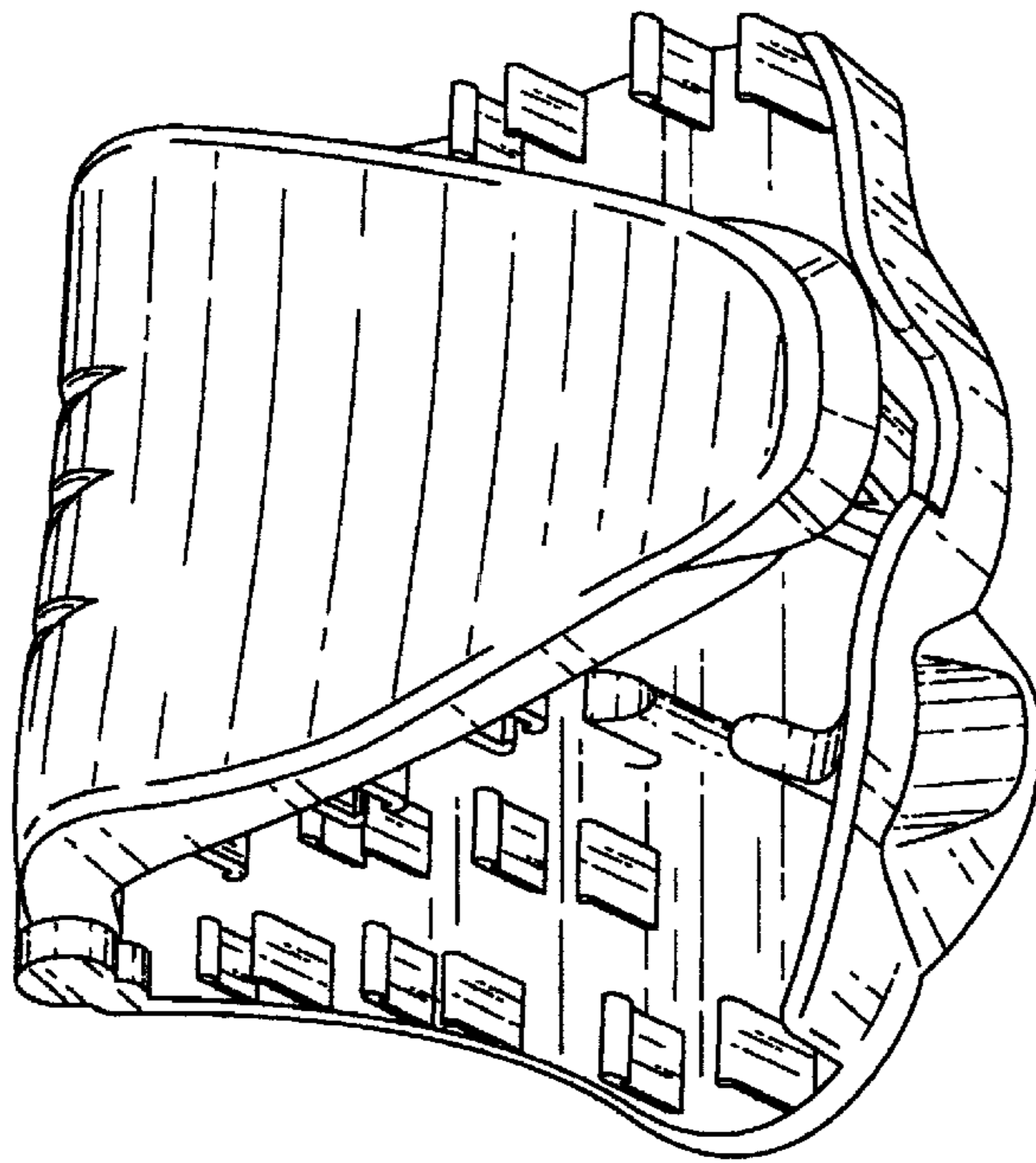


Fig 2

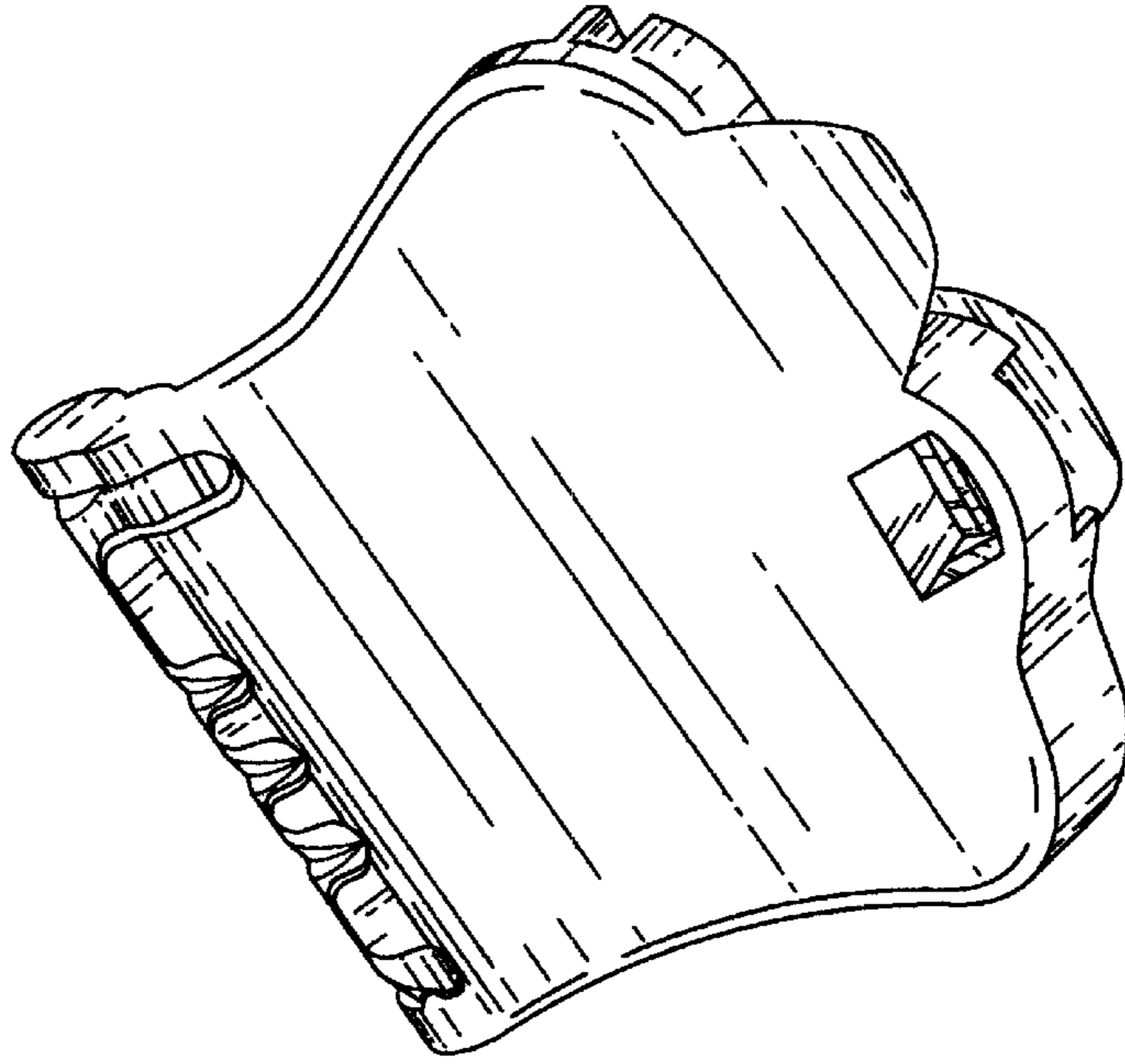


Fig 3

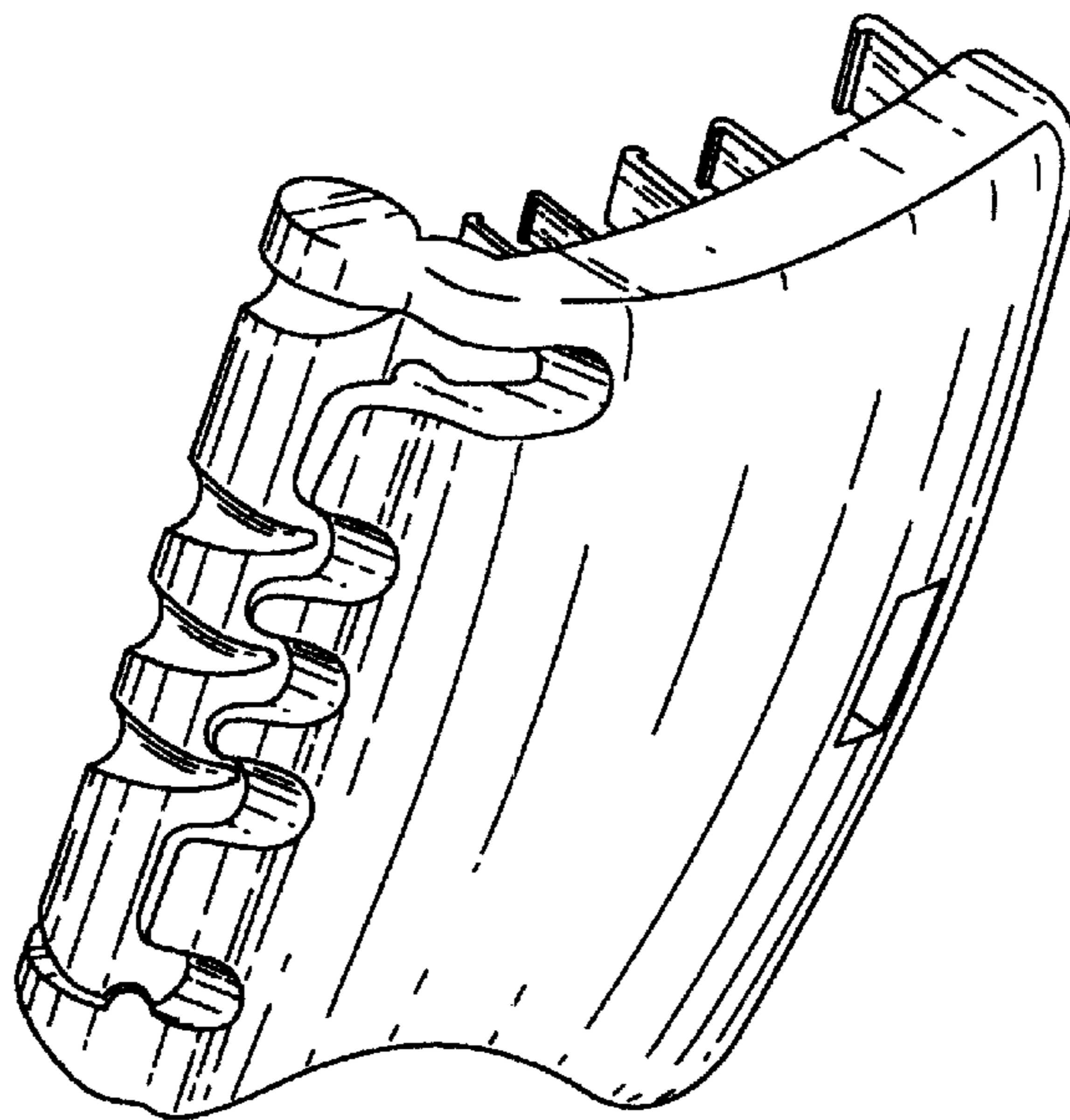


Fig 4

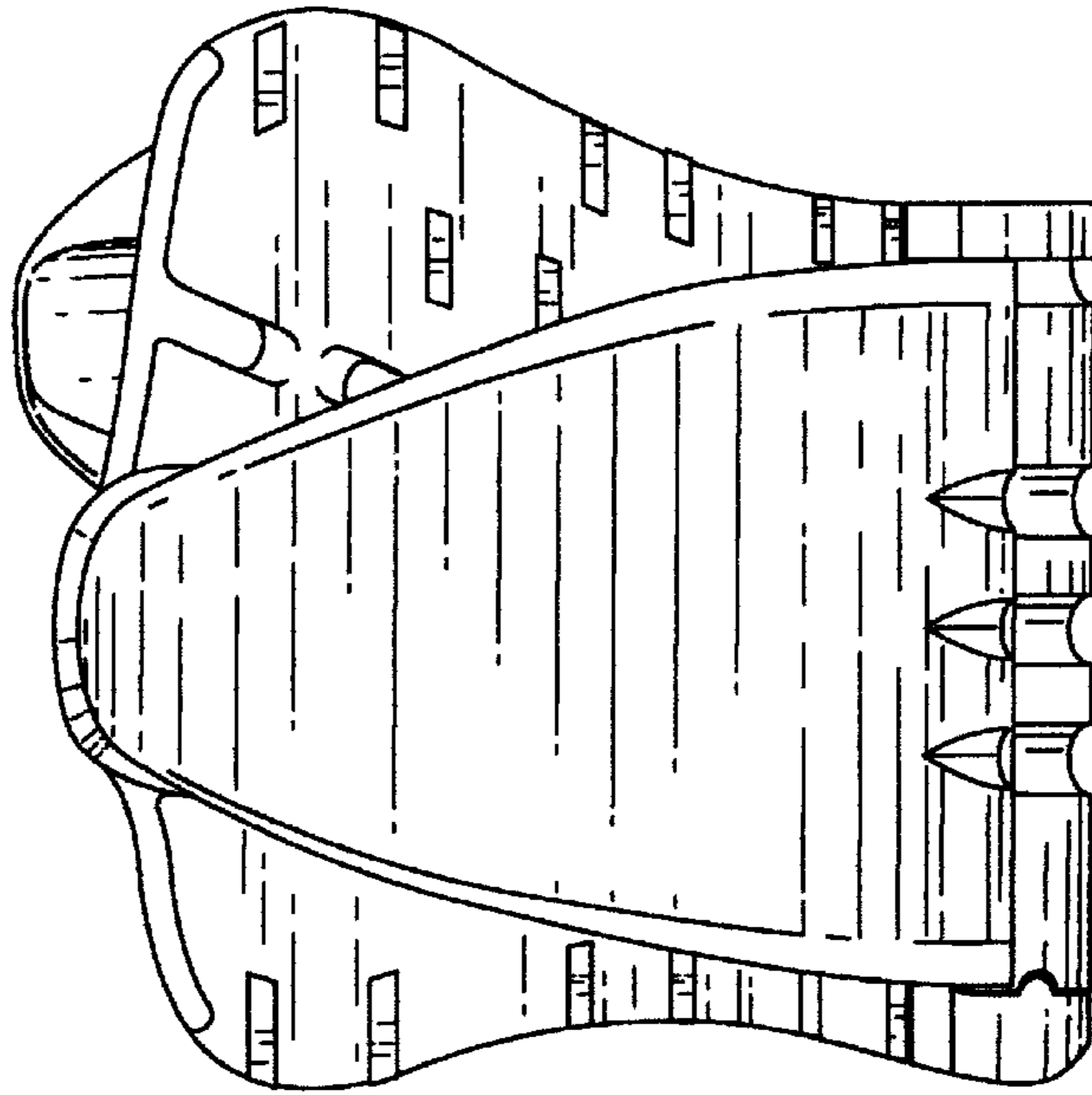


Fig 5

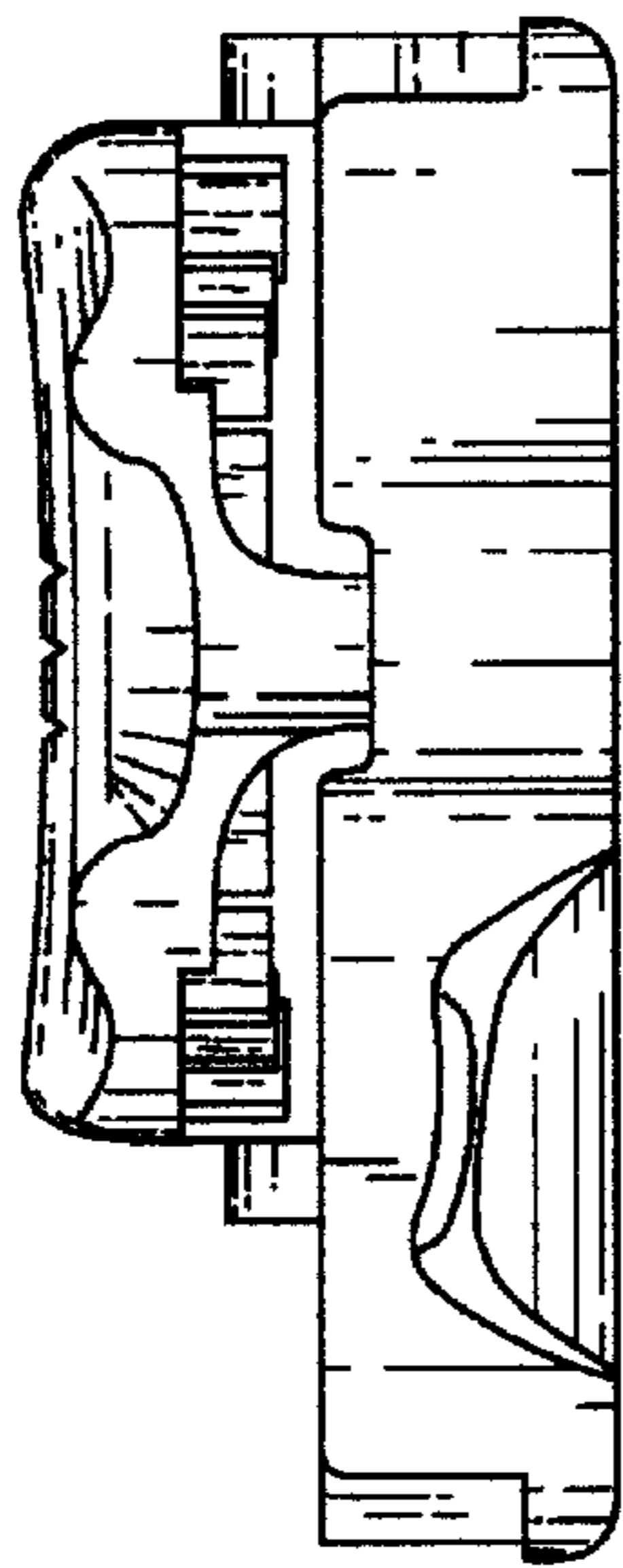


Fig 6

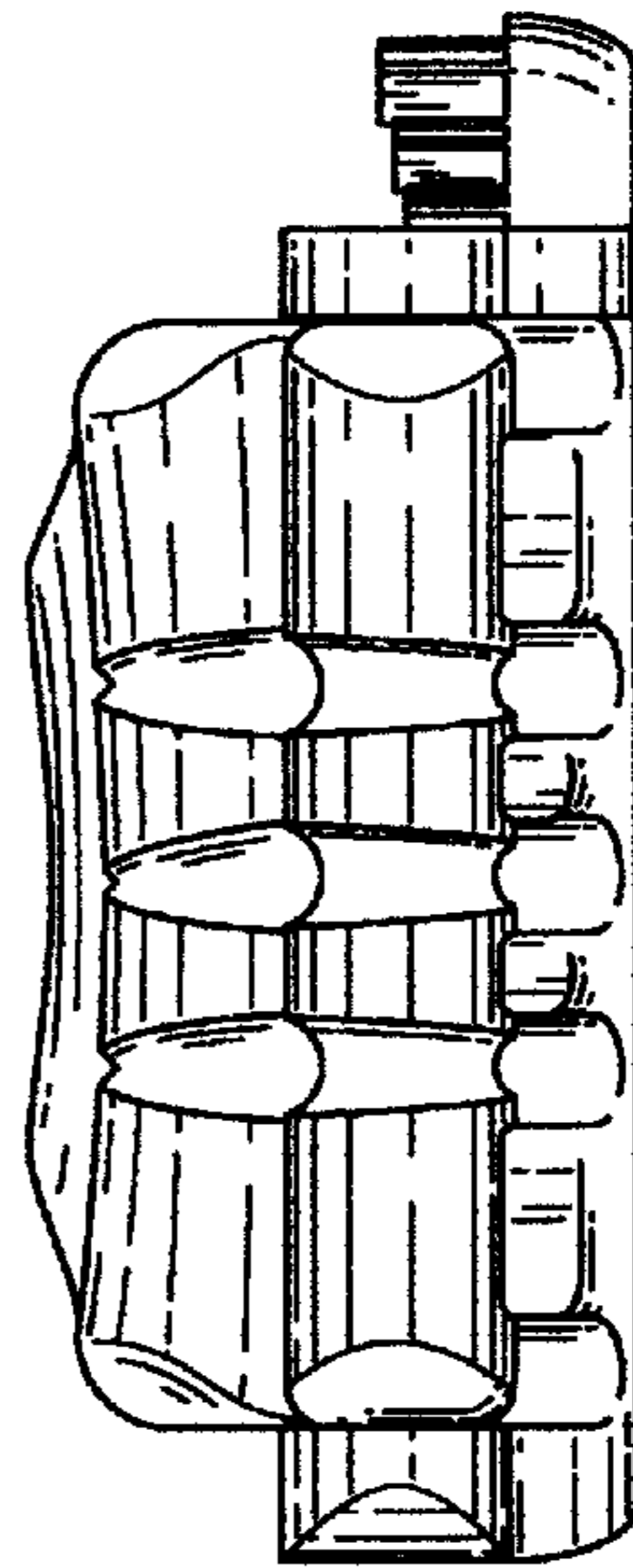


Fig 7

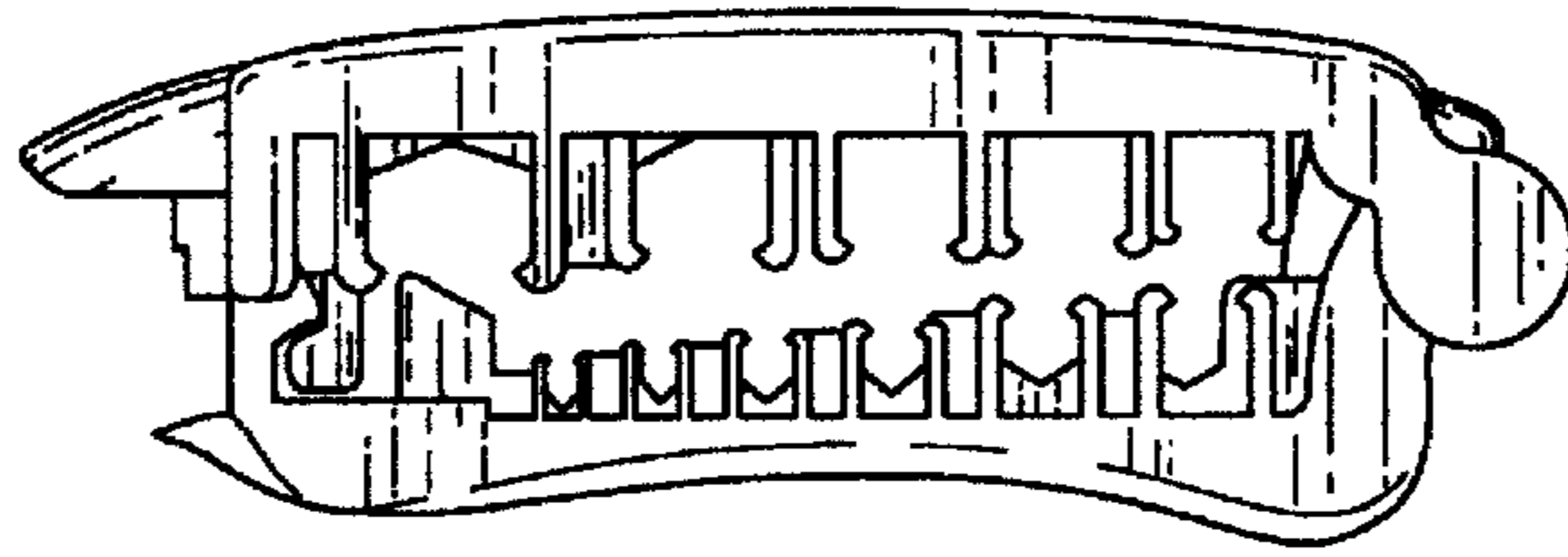


Fig 8

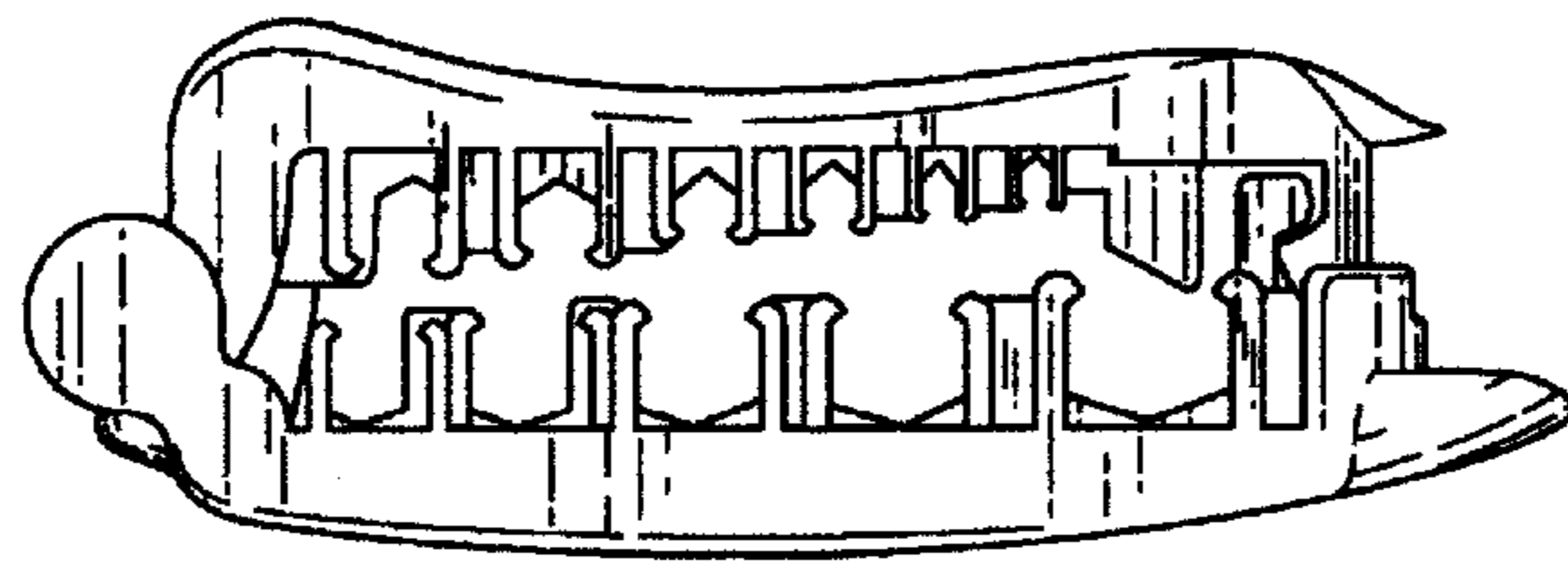


Fig 9

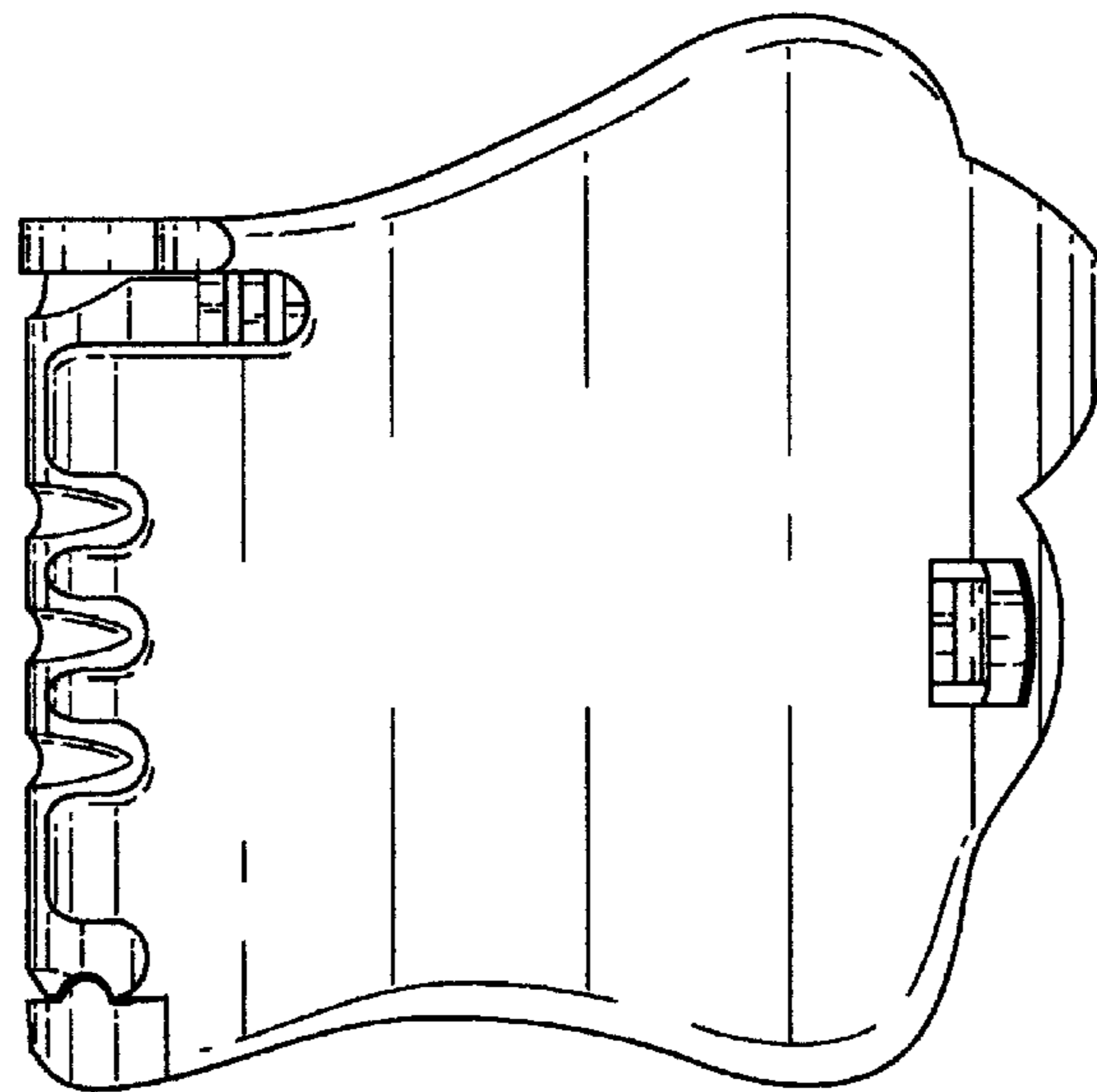


Fig 10

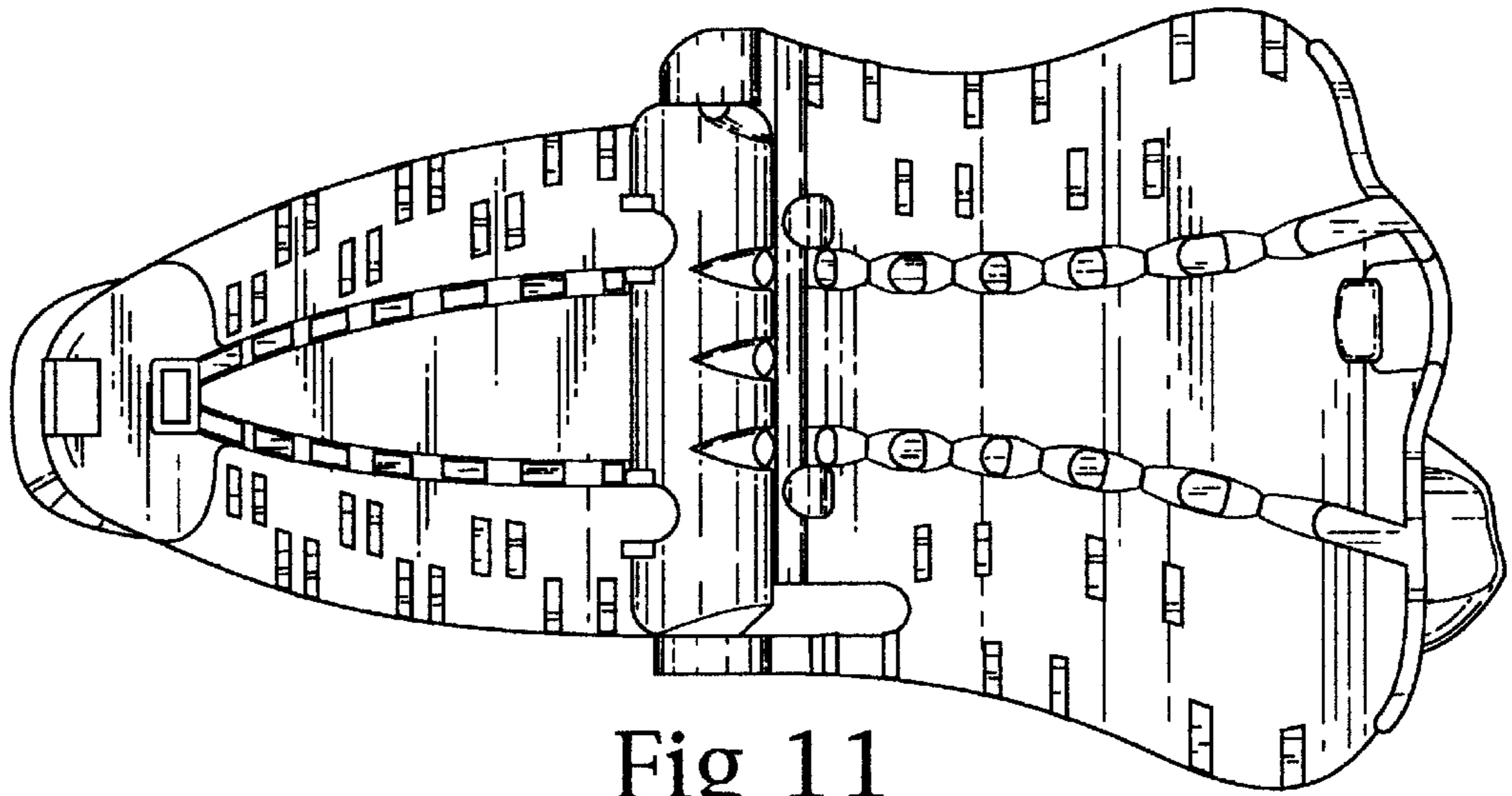


Fig 11

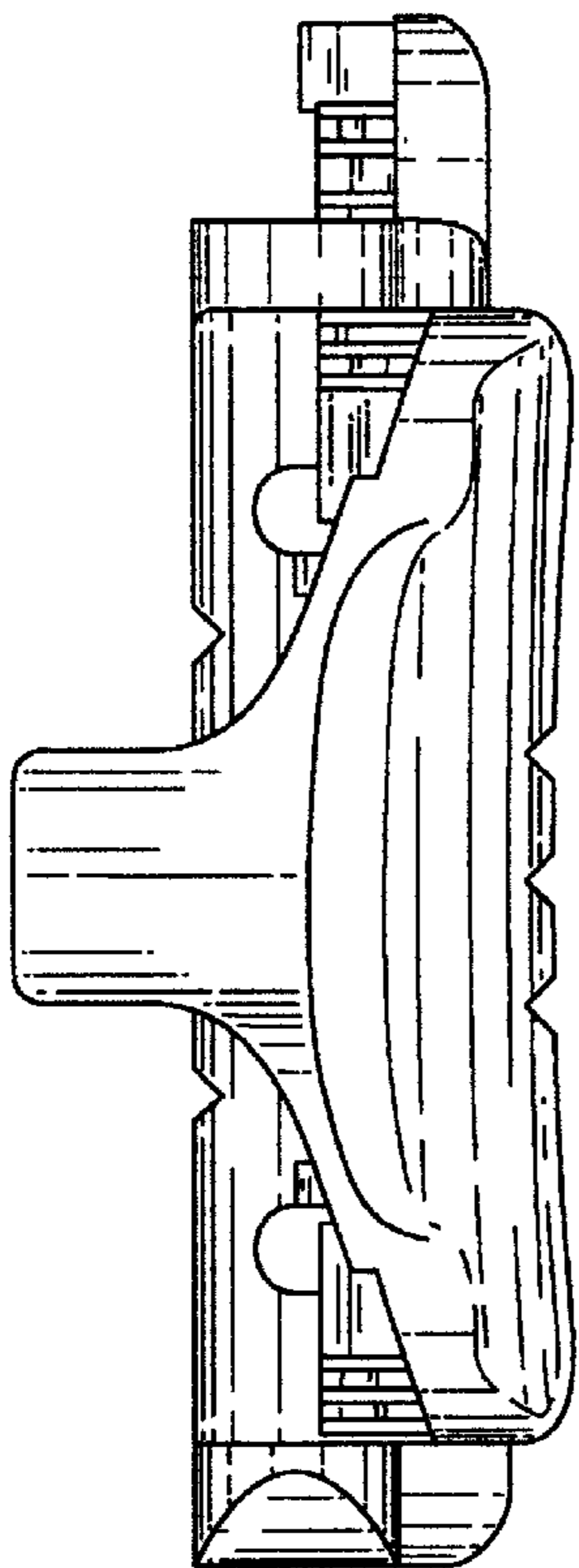


Fig 12

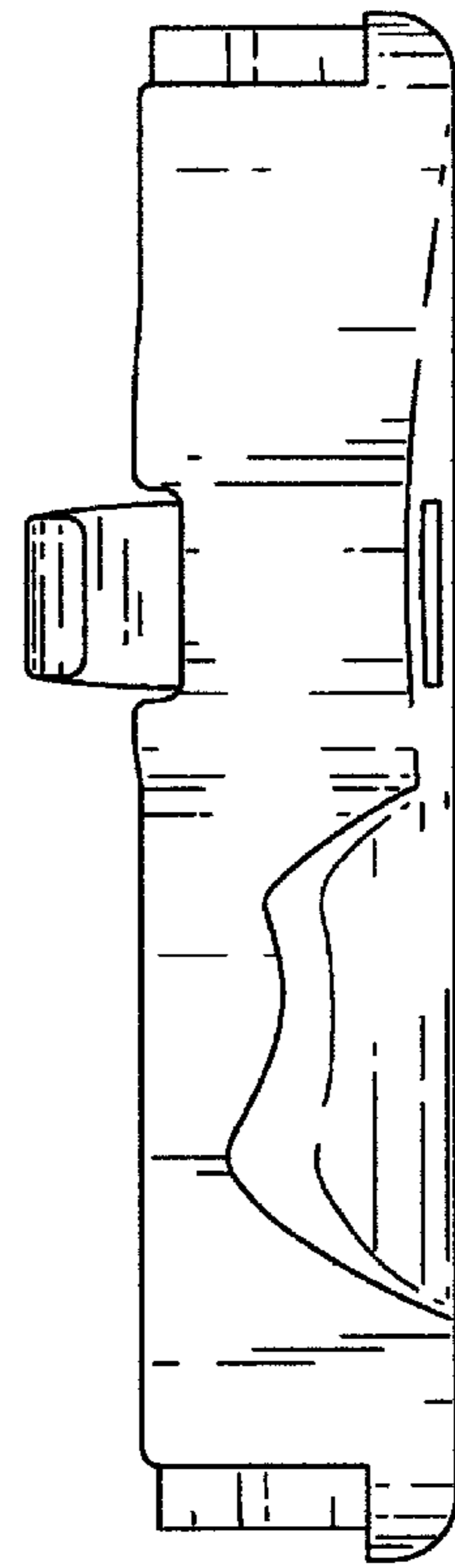


Fig 13

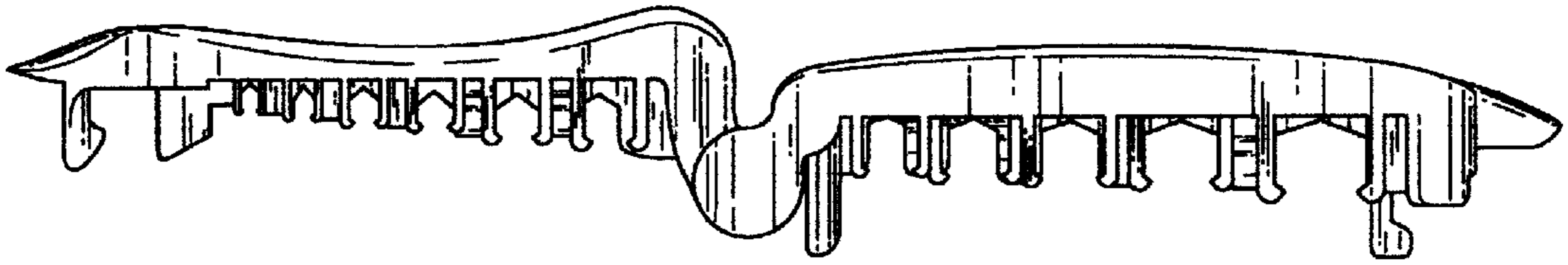


Fig 14

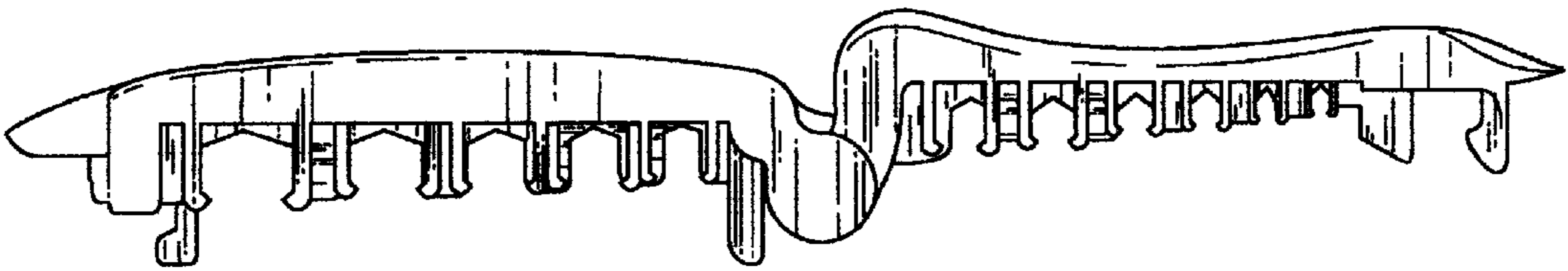


Fig 15

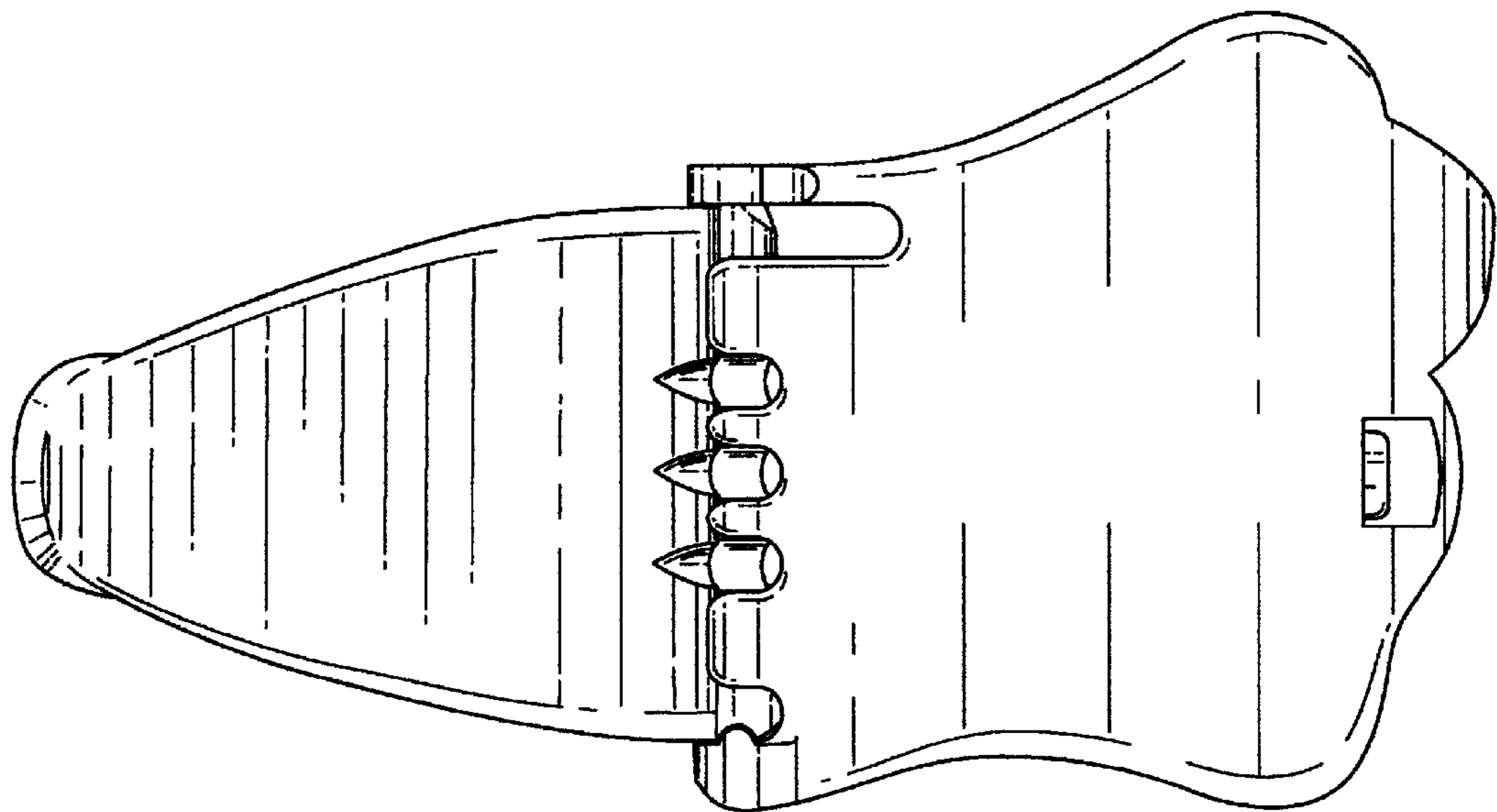


Fig 16