



US00D461310S

(12) **United States Design Patent**  
**Doyle**

(10) **Patent No.:** **US D461,310 S**

(45) **Date of Patent:** **\*\* Aug. 13, 2002**

(54) **STORAGE AND CARRYING BAG WITH  
RECTANGULAR CARRYING BOX**

D339,061 S \* 9/1993 Kilmartin ..... D9/423  
D339,691 S \* 9/1993 Cunningham et al. .... D3/293  
D341,349 S \* 11/1993 Shtrowise ..... D3/273  
D353,744 S \* 12/1994 Ferris et al. .... D9/420

(76) Inventor: **Helen Rosemary Doyle**, 29 Maioro  
Street, Avondale, Auckland (NZ)

\* cited by examiner

(\*\*) Term: **14 Years**

(21) Appl. No.: **29/136,791**

*Primary Examiner*—Raphael Barkai  
(74) *Attorney, Agent, or Firm*—Woodbridge & Associates,  
P.C.; Stuart H. Nissim

(22) Filed: **Feb. 7, 2001**

**Related U.S. Application Data**

(62) Division of application No. 29/117,241, filed on Jan. 20,  
2000, now Pat. No. Des. 444,625.

(57) **CLAIM**

The ornamental design for a storage and carrying bag with  
rectangular carrying box, as shown and described.

(30) **Foreign Application Priority Data**

Jul. 20, 1999 (NZ) ..... 30432

**DESCRIPTION**

(51) **LOC (7) Cl.** ..... **03-01**

FIG. 1 is a front perspective view of a storage and carrying  
box positioned over the top of the bag showing our new  
design;

(52) **U.S. Cl.** ..... **D3/273**

(58) **Field of Search** ..... D3/273, 274, 276,  
D3/283, 287-291; D9/420, 423, 424; 190/100,  
108-112, 115, 901, 902

FIG. 2 is a front view thereof; and,

FIG. 3 is a rear view thereof.

(56) **References Cited**

**U.S. PATENT DOCUMENTS**

D336,049 S \* 6/1993 Patridge, Jr. .... D3/273

**1 Claim, 1 Drawing Sheet**

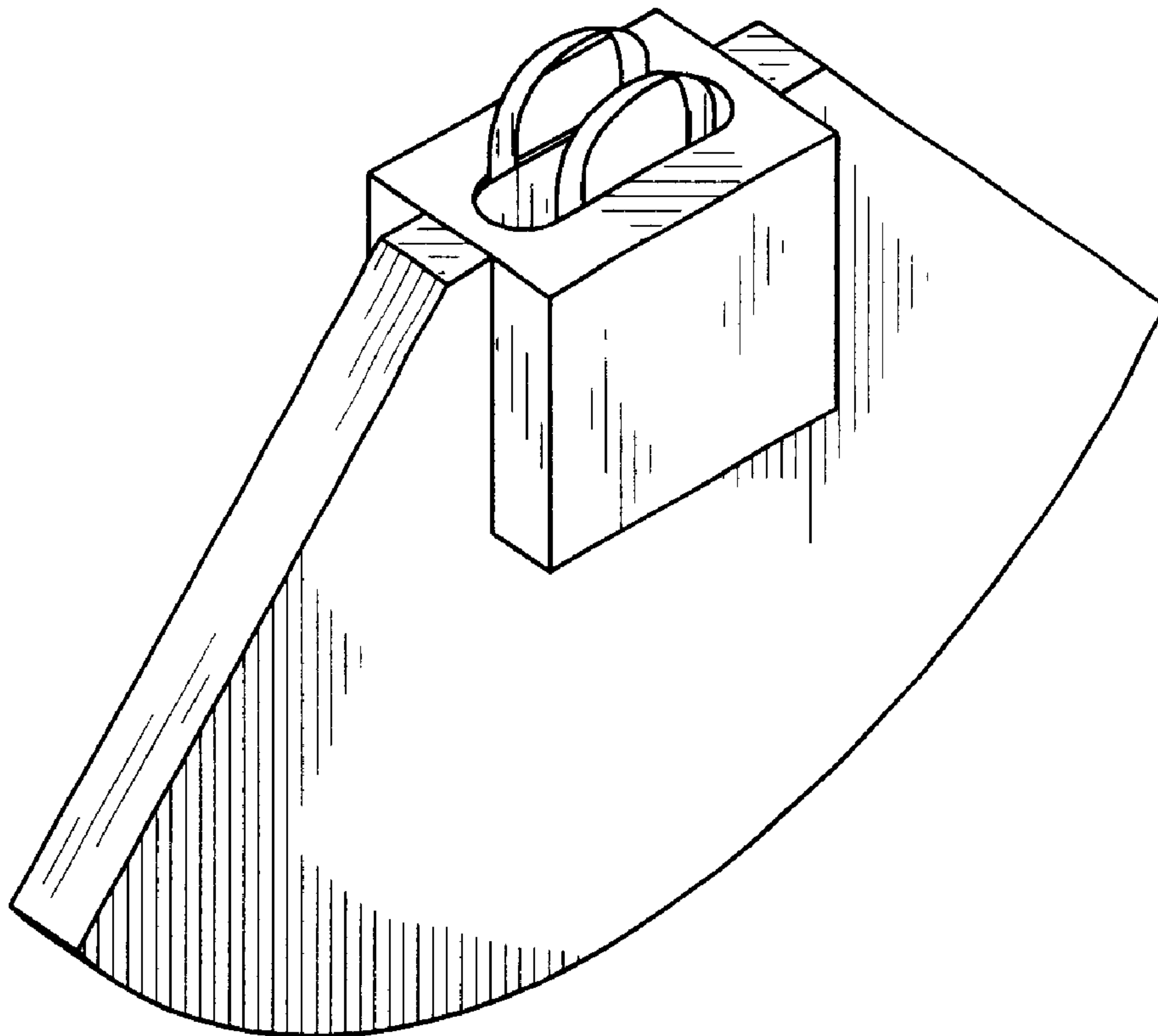


FIG. 1

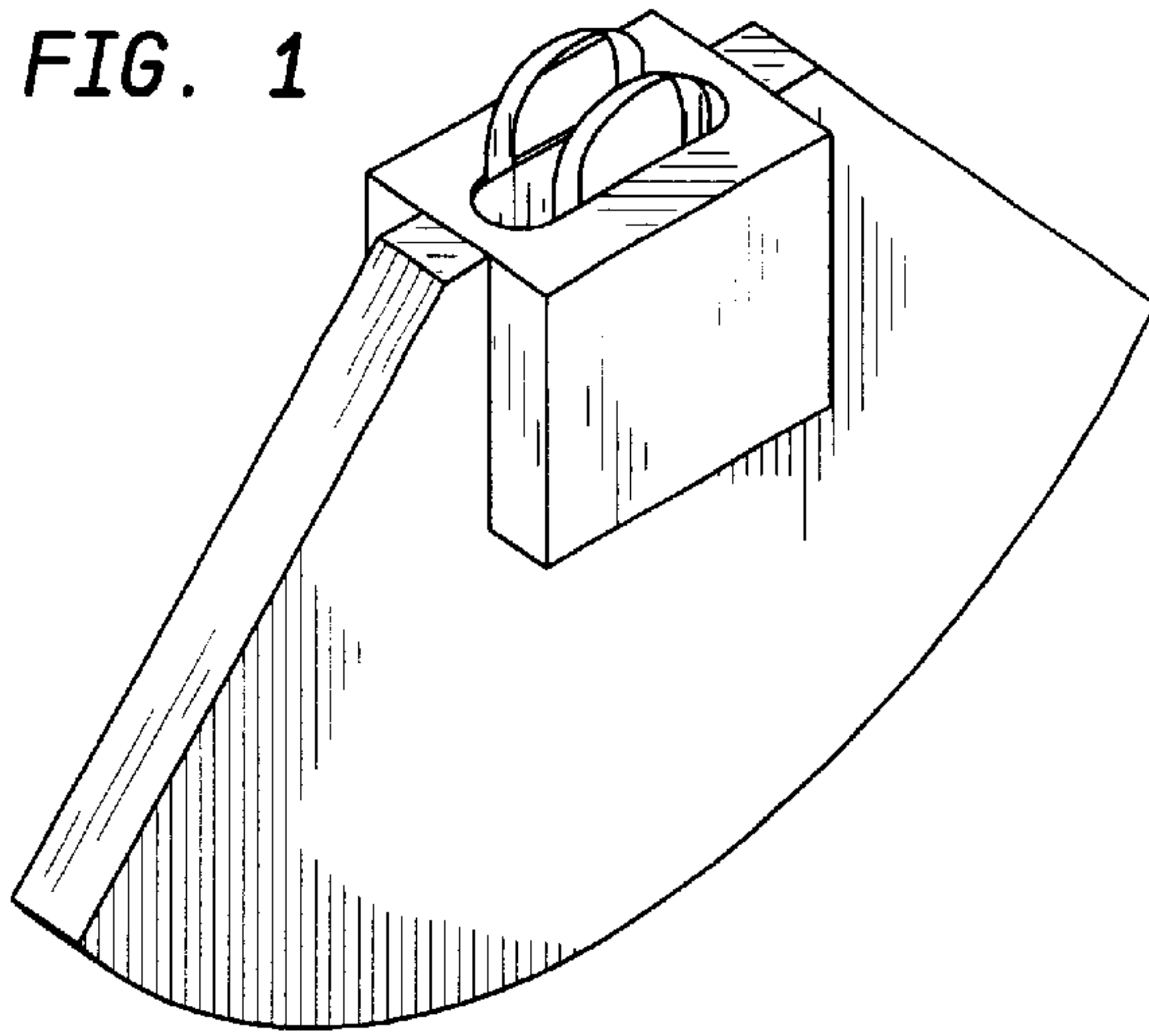


FIG. 2

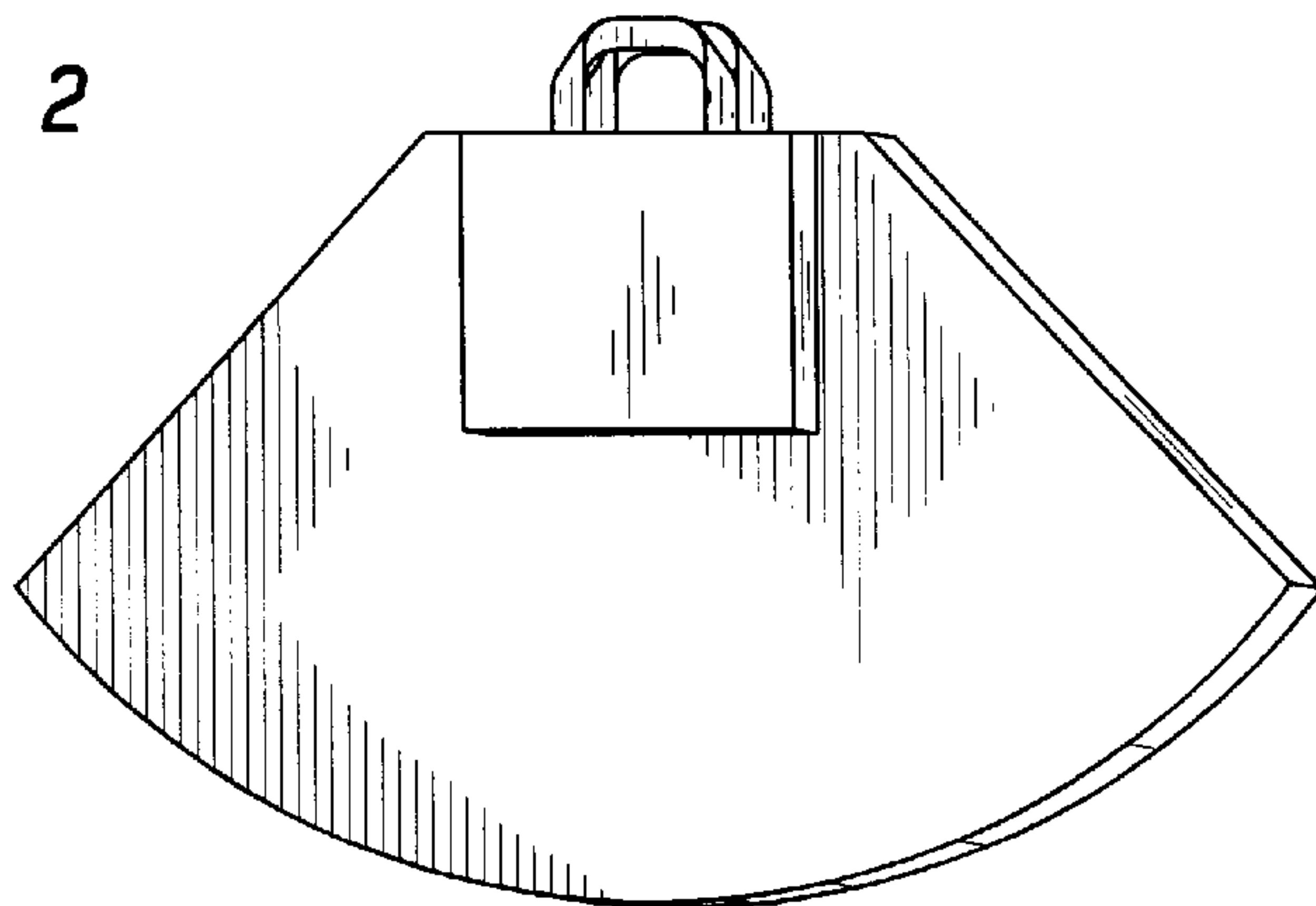


FIG. 3

