



US00D461308S

(12) **United States Design Patent**
Snider

(10) **Patent No.:** **US D461,308 S**

(45) **Date of Patent:** **** Aug. 13, 2002**

(54) **ELECTRICAL TESTER POUCH**

(75) **Inventor:** **Gregory Scott Snider**, Bel Air, MD
(US)

(73) **Assignee:** **Black & Decker Inc.**, Newark, DE
(US)

(**) **Term:** **14 Years**

(21) **Appl. No.:** **29/143,221**

(22) **Filed:** **Jun. 8, 2001**

(51) **LOC (7) Cl.** **03-01**

(52) **U.S. Cl.** **D3/228**

(58) **Field of Search** D3/228, 215, 226,
D3/223, 224, 222, 203, 221; 224/240, 236,
245, 901, 904, 246

(56) **References Cited**

U.S. PATENT DOCUMENTS

1,088,406 A	2/1914	Davis	224/246
D215,516 S	10/1969	Knigge	D3/228
D271,253 S	11/1983	Abatie	D3/228
D283,546 S	4/1986	Nathan	D3/203
D333,040 S	2/1993	Dancyger	D3/228
D338,748 S	8/1993	Doerksen	D3/228
D349,603 S	8/1994	Doerksen	D3/228
D350,229 S	9/1994	Dancyger	D3/228

D410,332 S	*	6/1999	Luchka	D3/228
D412,059 S	*	7/1999	White et al.	D3/215
D415,891 S		11/1999	Renna	D3/221
D418,291 S	*	1/2000	Dancyger	D3/228
D431,104 S	*	9/2000	Dancyger	D3/228
D433,229 S		11/2000	Harker et al.	D3/228
D438,701 S	*	3/2001	Dancyger	D3/228

* cited by examiner

Primary Examiner—Catherine R. Oliver

(74) *Attorney, Agent, or Firm*—Harness, Dickey & Pierce,
P.L.C.

(57) **CLAIM**

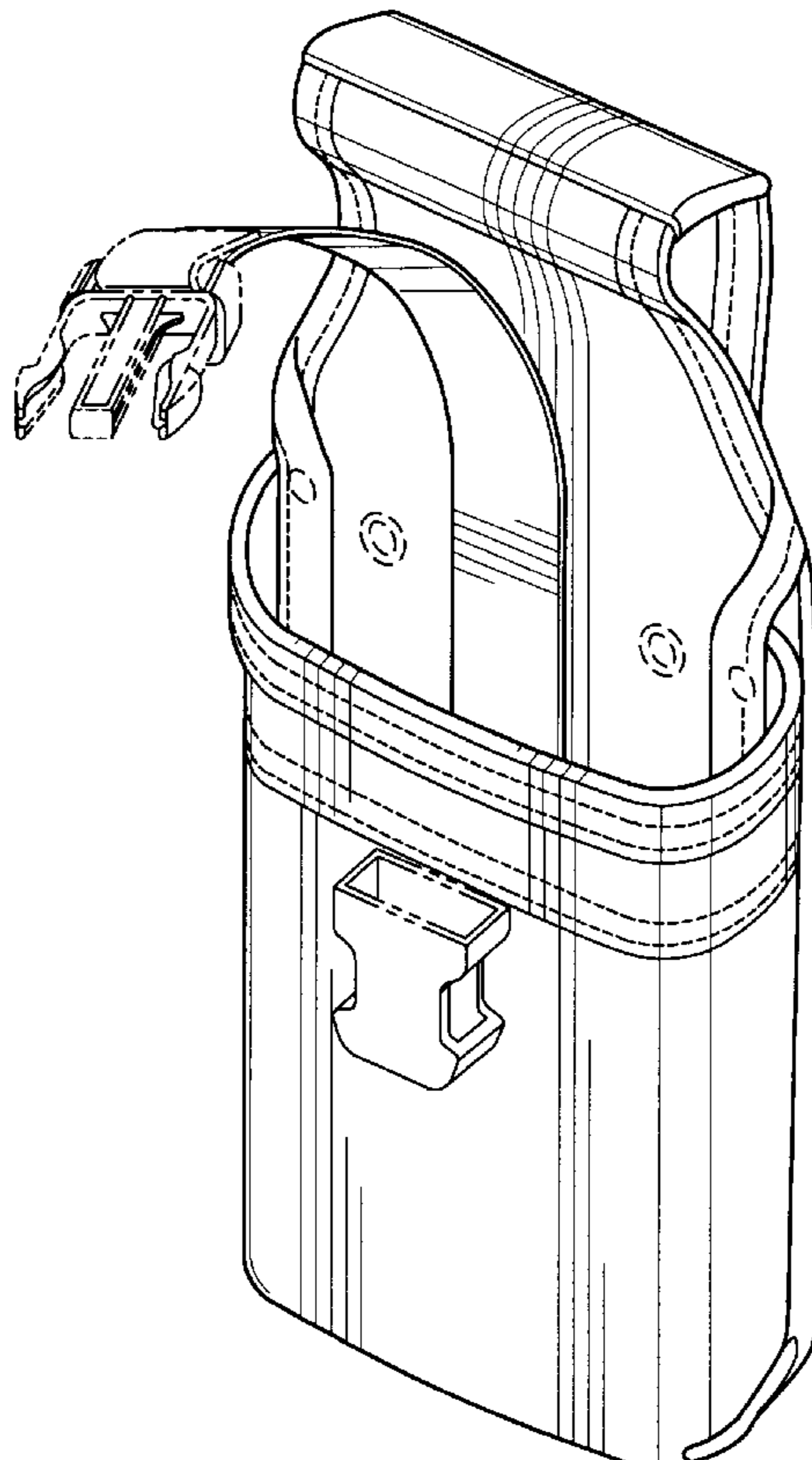
The ornamental design for a electrical tester pouch, as shown and described.

DESCRIPTION

FIG. 1 is a perspective view of an electrical tester pouch;
FIG. 2 is a front view thereof;
FIG. 3 is a left side view thereof;
FIG. 4 is a rear view thereof;
FIG. 5 is a right side view thereof;
FIG. 6 is a top view thereof; and,
FIG. 7 is a bottom view thereof.

The broken line showing of environment in the drawings is for illustrative purposes only and forms no part of the claimed design.

1 Claim, 3 Drawing Sheets



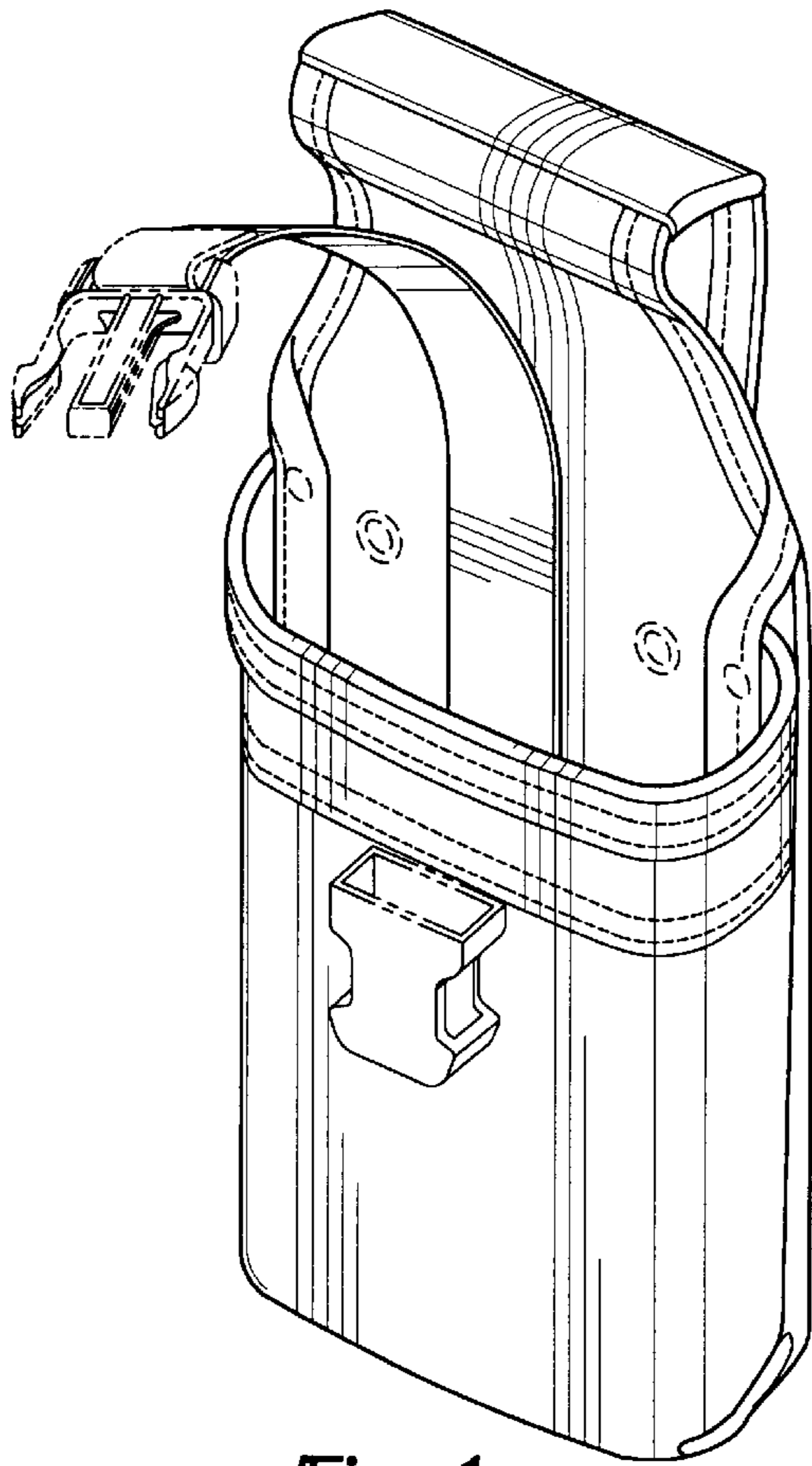


Fig-1

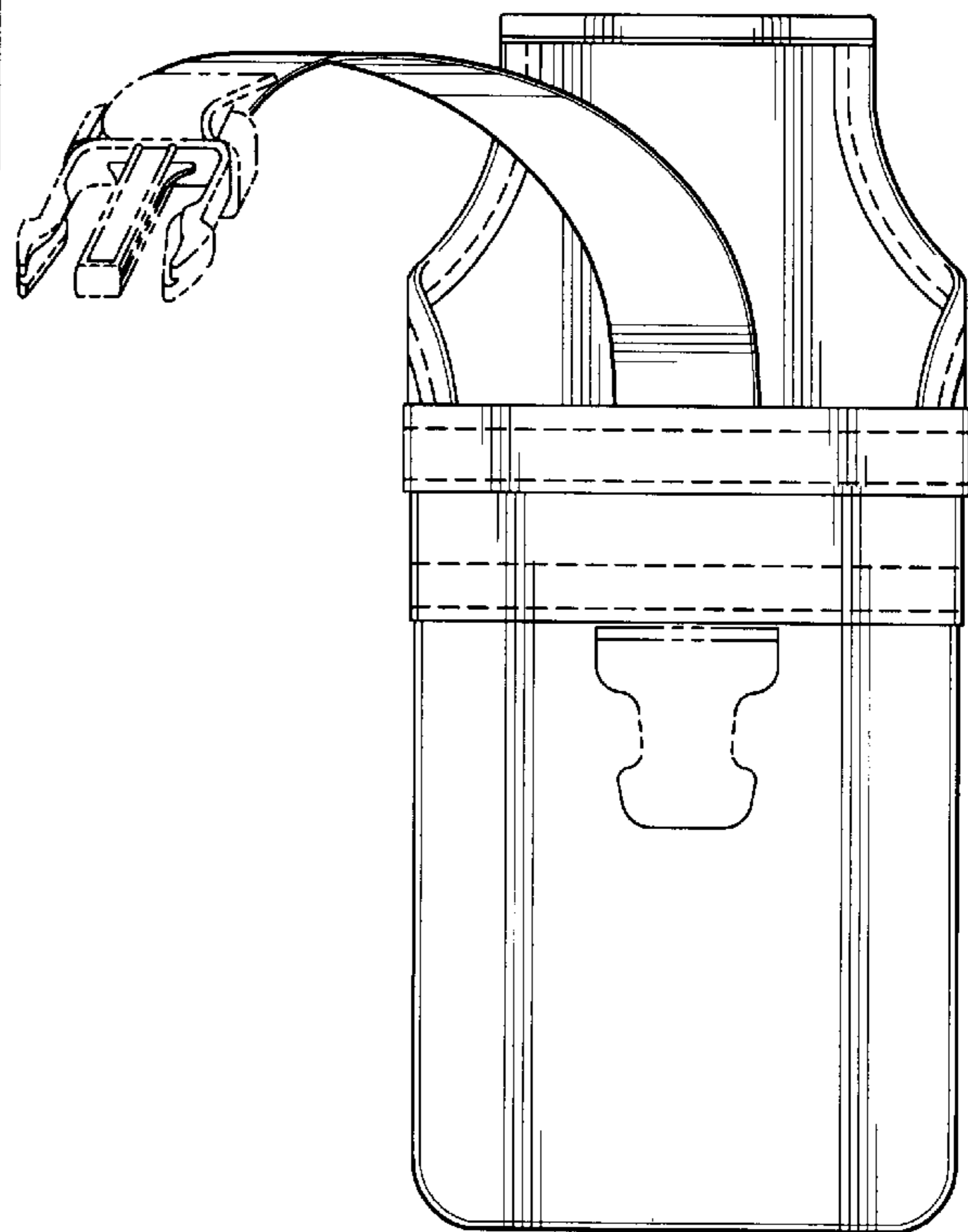


Fig-2

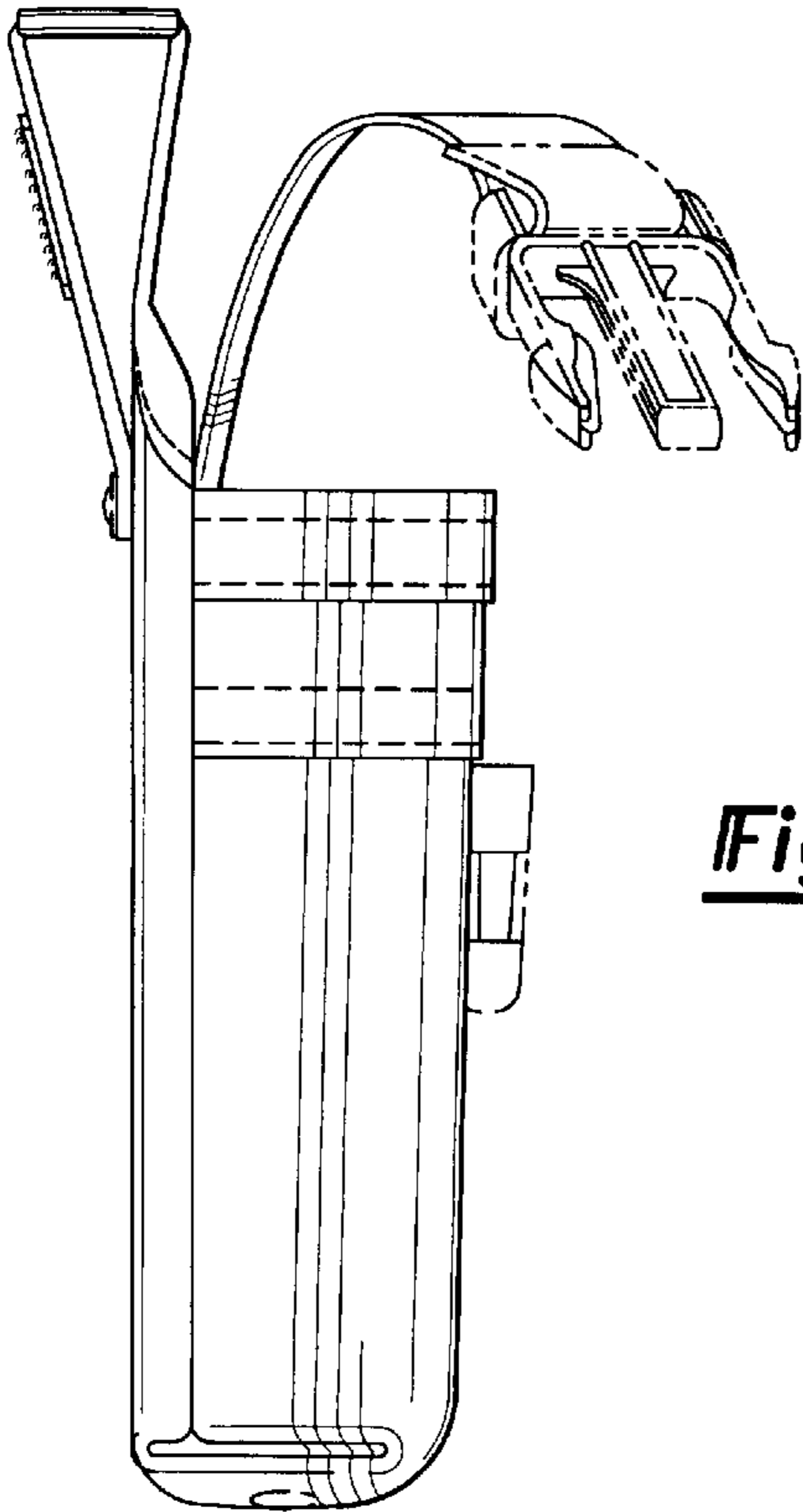


Fig-3

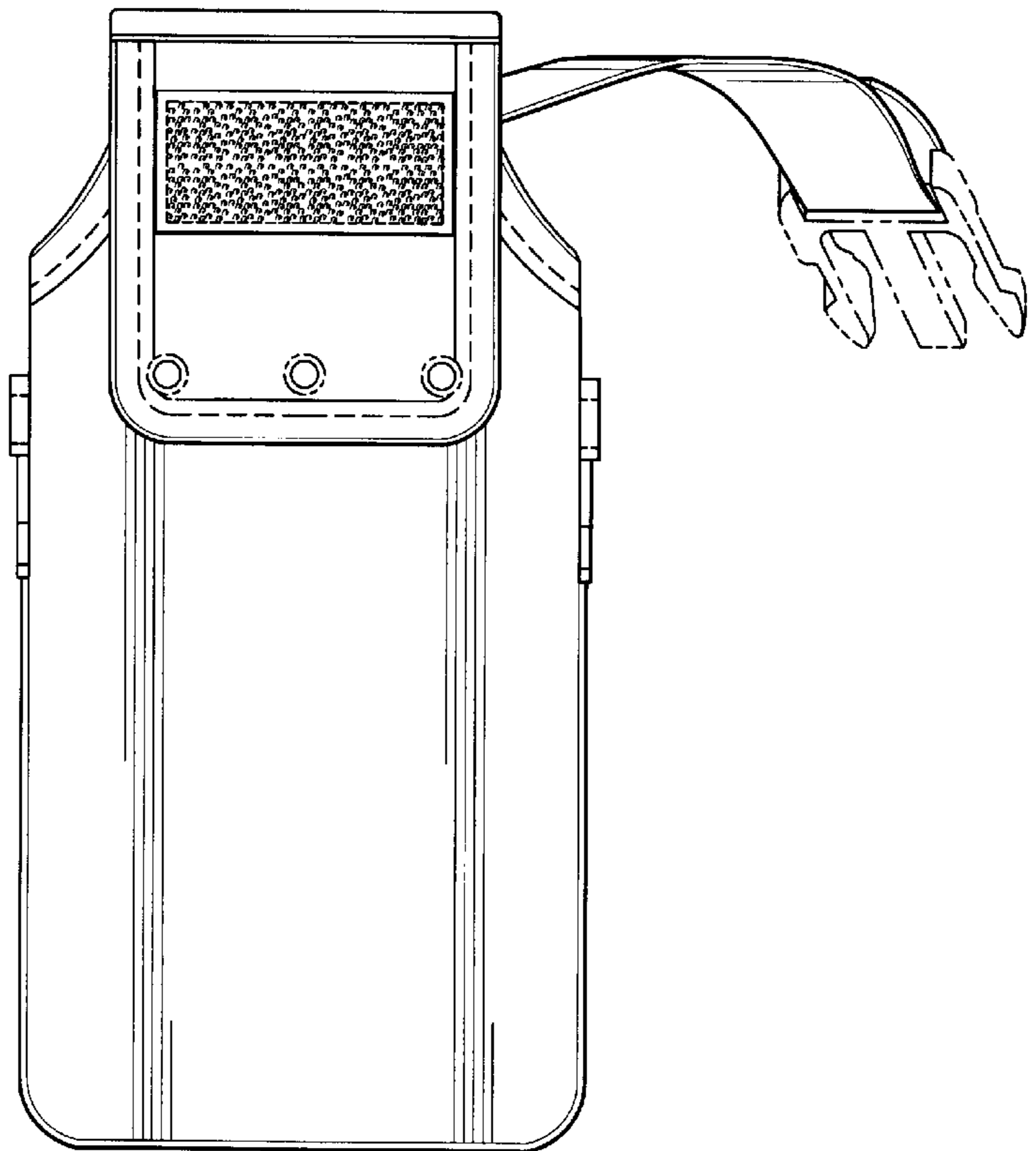


Fig-4

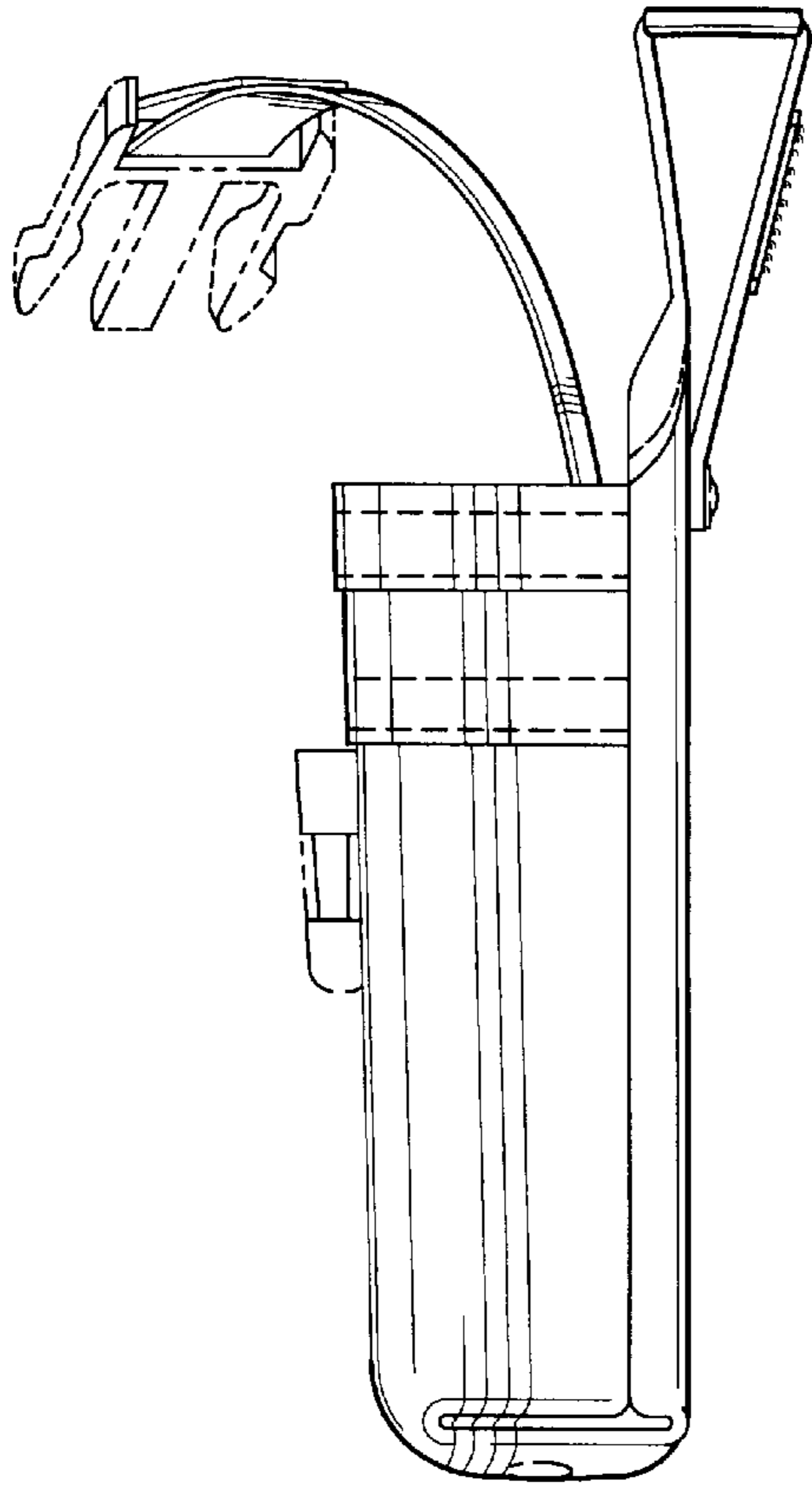


Fig-5

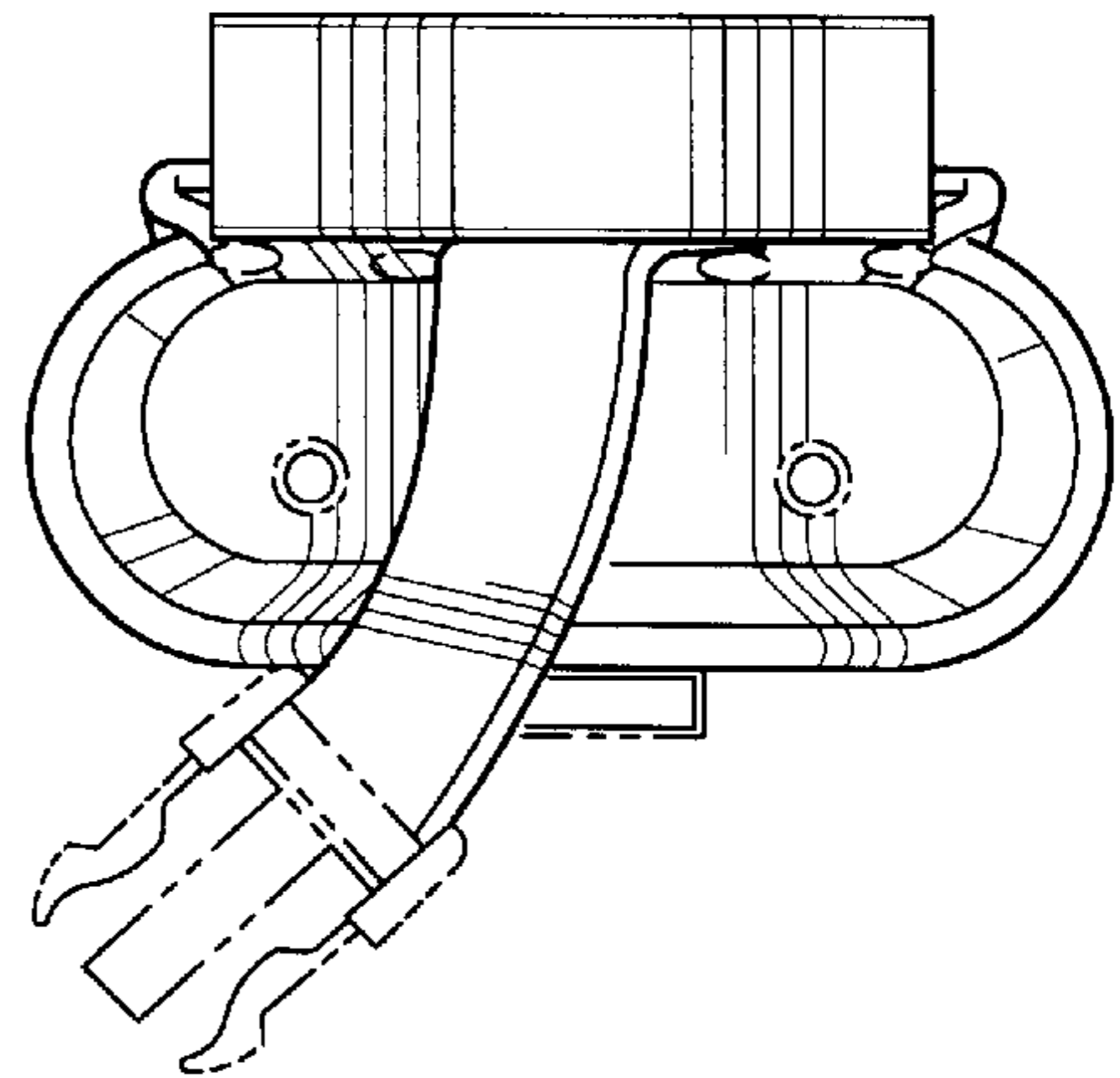


Fig-6

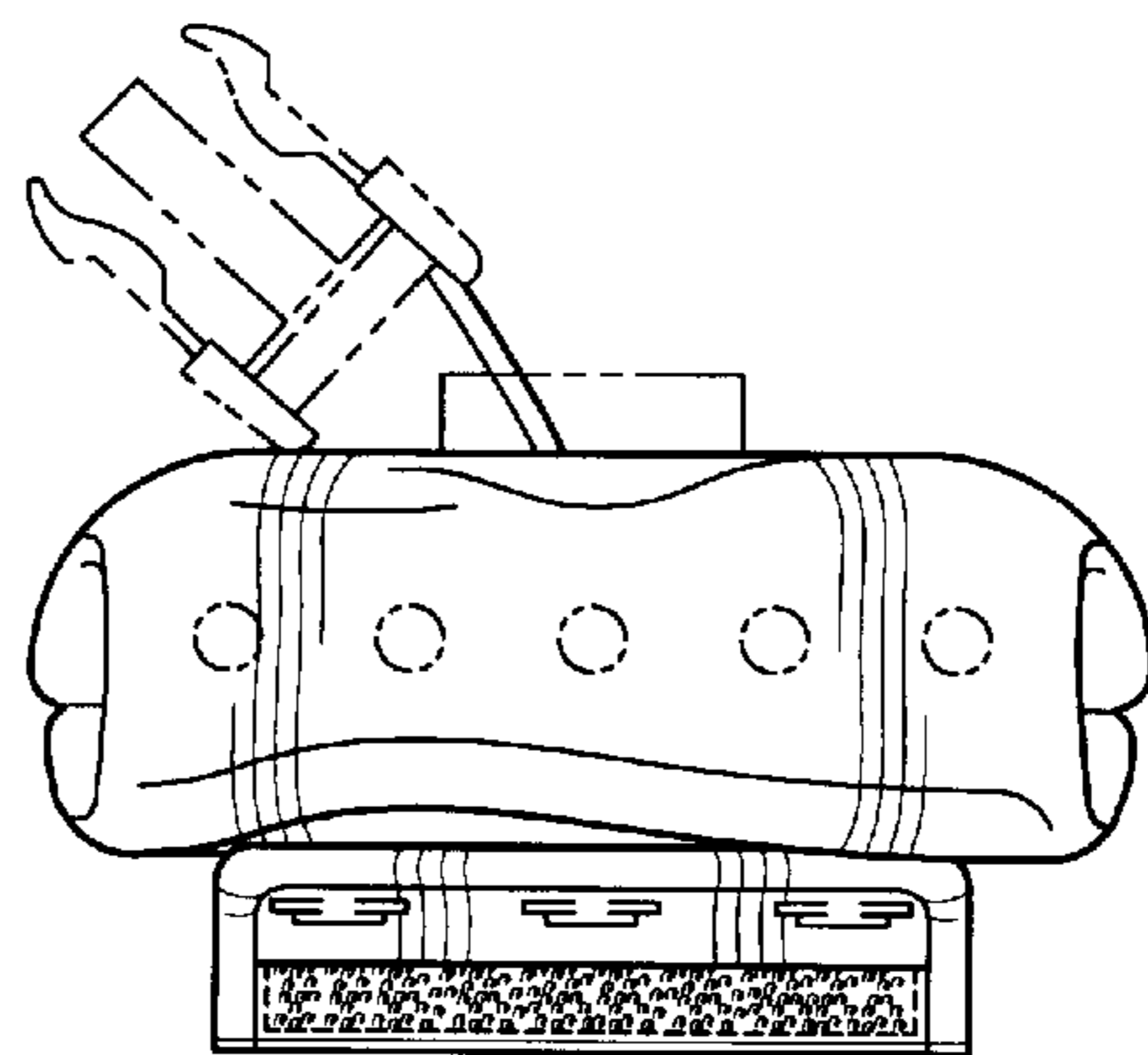


Fig-7