



US00D461307S

(12) **United States Design Patent**
Loyd et al.

(10) **Patent No.:** **US D461,307 S**

(45) **Date of Patent:** **** Aug. 13, 2002**

(54) **RIFLE HOLSTER WORN OVER A SHOULDER**

(75) Inventors: **Dan Loyd**, Lake St. Louis; **Ken Tow**, Wentzville, both of MO (US)

(73) Assignee: **Premier Sales & Service**, Lake St. Louis, MO (US)

(**) Term: **14 Years**

(21) Appl. No.: **29/129,928**

(22) Filed: **Sep. 25, 2000**

(51) **LOC (7) Cl.** **03-01**

(52) **U.S. Cl.** **D3/222**

(58) **Field of Search** D3/221, 222, 223, D3/215, 226, 224; 224/150, 602, 603, 191, 192, 190

(56) **References Cited**

U.S. PATENT DOCUMENTS

2,576,559 A	11/1951	Bennek	
2,828,058 A	3/1958	Arpin	
2,884,172 A	4/1959	Kubo	
2,915,233 A	12/1959	Moomaw	
2,948,449 A	8/1960	Aronson et al.	
3,182,871 A	5/1965	Gossler	
4,098,441 A	* 7/1978	Campbell 224/150

4,555,051 A	* 11/1985	Johnson 224/150
D304,977 S	12/1989	Pappas	
5,092,505 A	3/1992	Olschlager	
D325,300 S	* 4/1992	Miklus, II D3/222
5,282,558 A	* 2/1994	Martinez 224/150
5,575,411 A	11/1996	Hightower	
5,664,721 A	9/1997	Homeyer	

* cited by examiner

Primary Examiner—Catherine R. Oliver

(74) *Attorney, Agent, or Firm*—Senniger, Powers, Leavitt & Roedel

(57) **CLAIM**

The ornamental design for a rifle holster worn over a shoulder, as shown and described.

DESCRIPTION

FIG. 1 is a left side elevation view of a rifle holster worn over a shoulder showing our new design; FIG. 2 is a right side elevation of the holster; FIG. 3 is a front elevation of the holster; FIG. 4 is a rear elevation of the holster; FIG. 5 is a top plan view of the holster; FIG. 6 is a bottom plan view of the holster; and, FIG. 7 is a perspective of the holster, the portions shown in phantom indicating environmental structure and forming no part of the design.

1 Claim, 6 Drawing Sheets

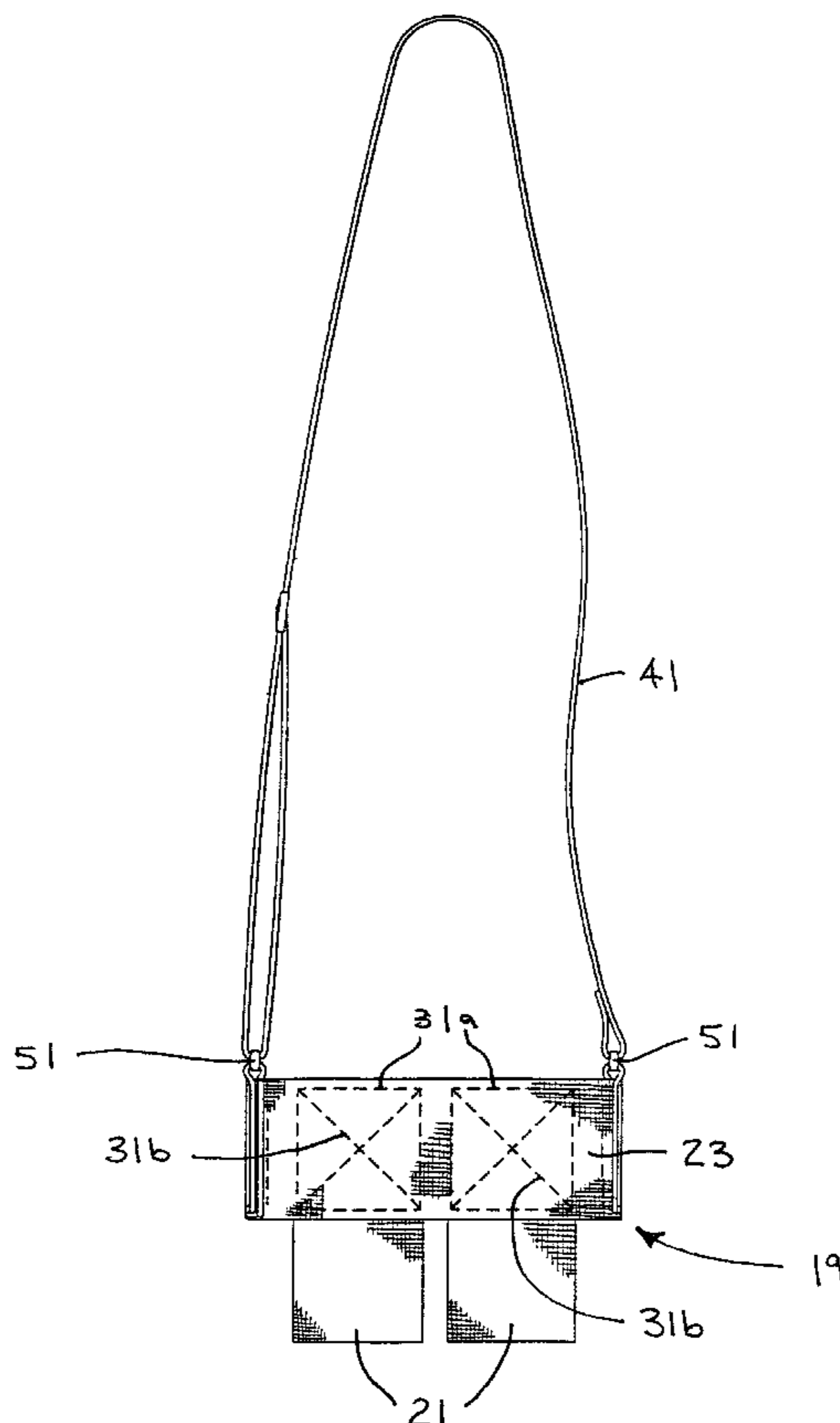


FIG. 1

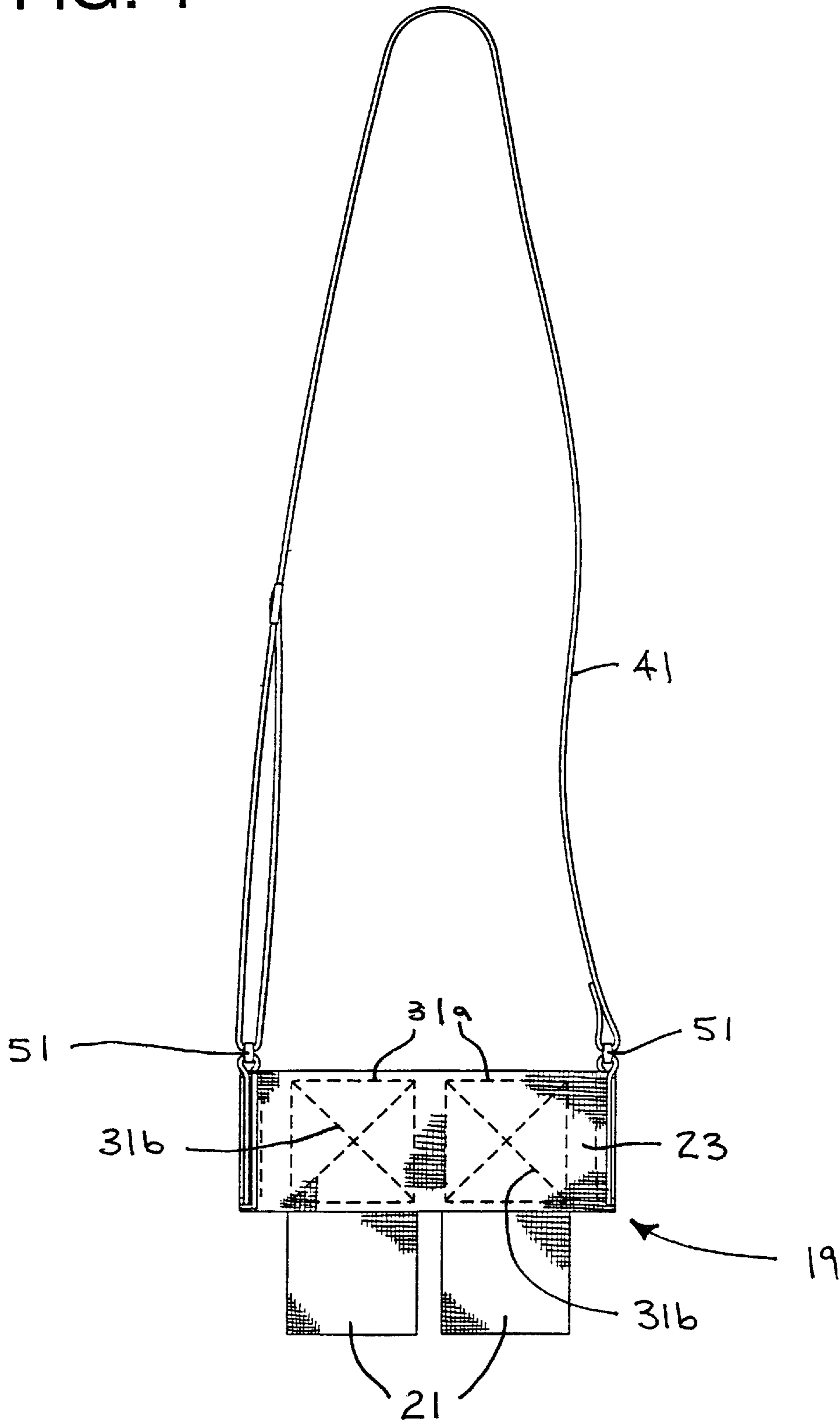


FIG. 2

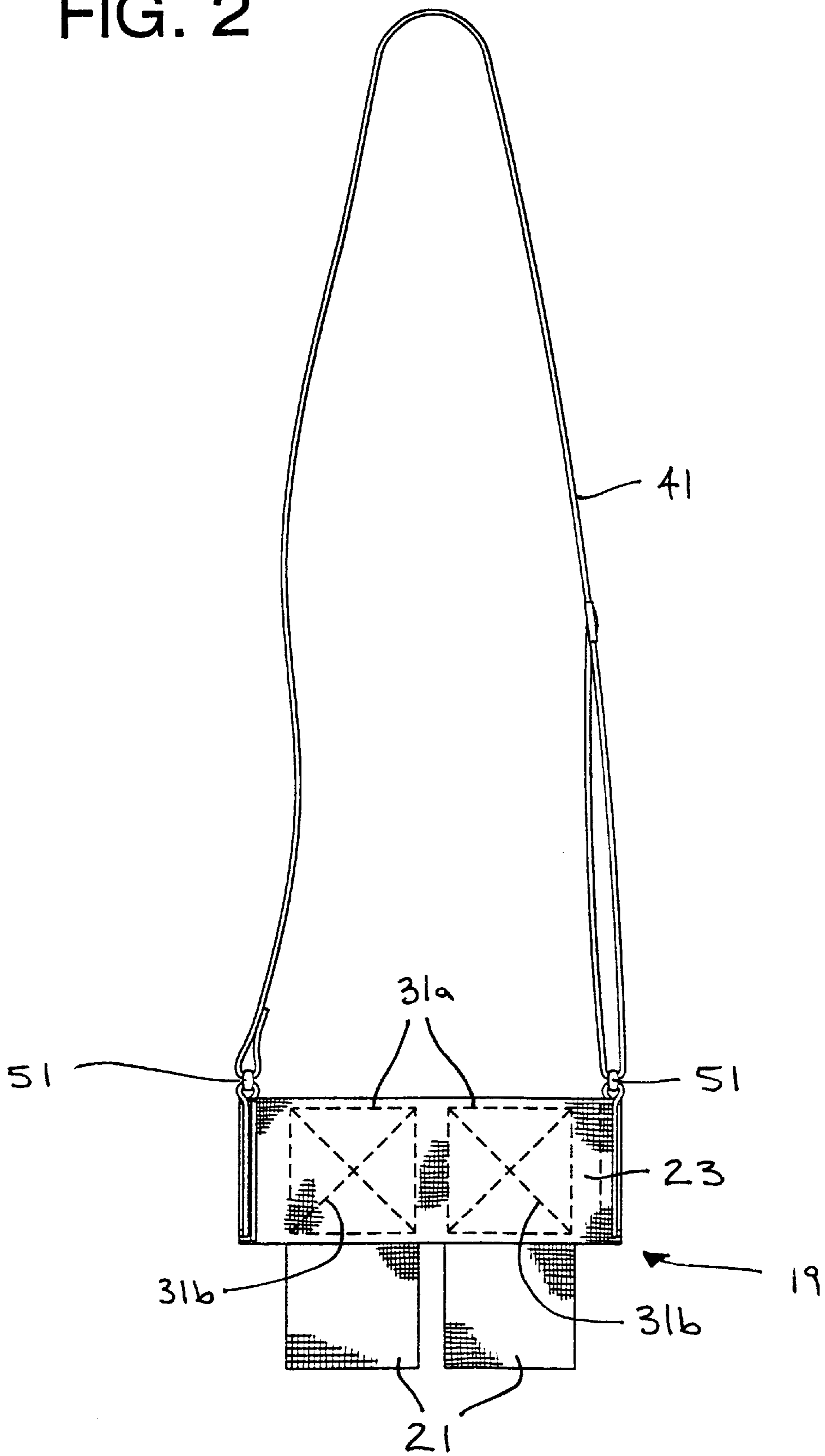


FIG. 3

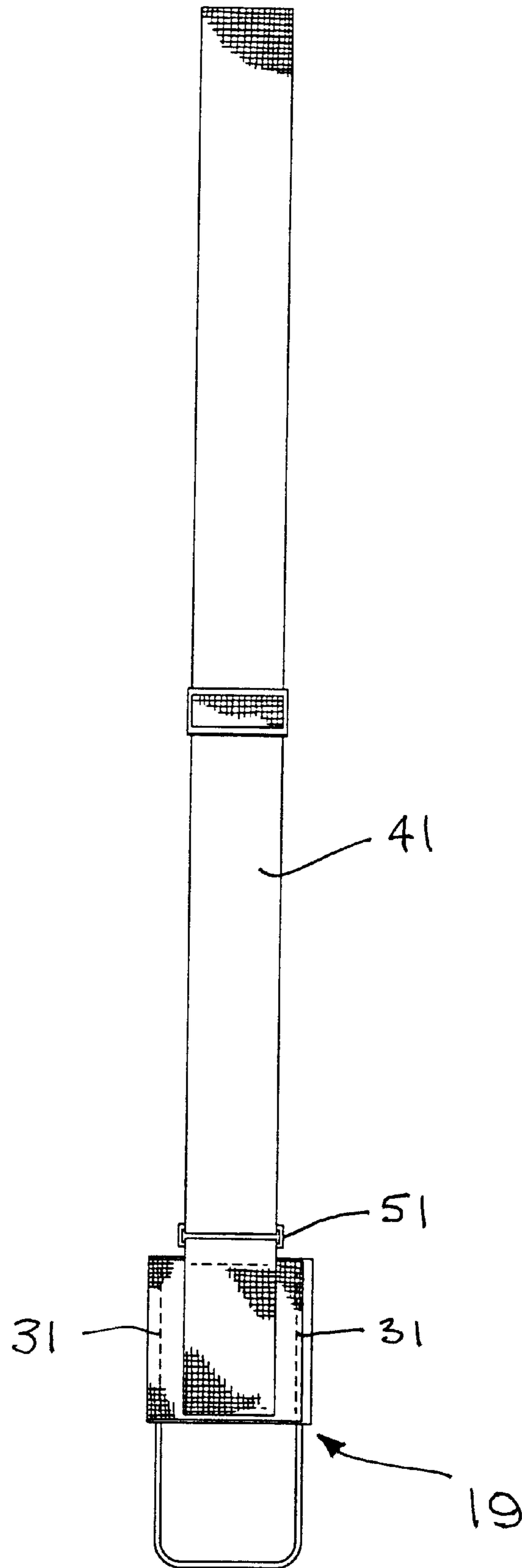


FIG. 4

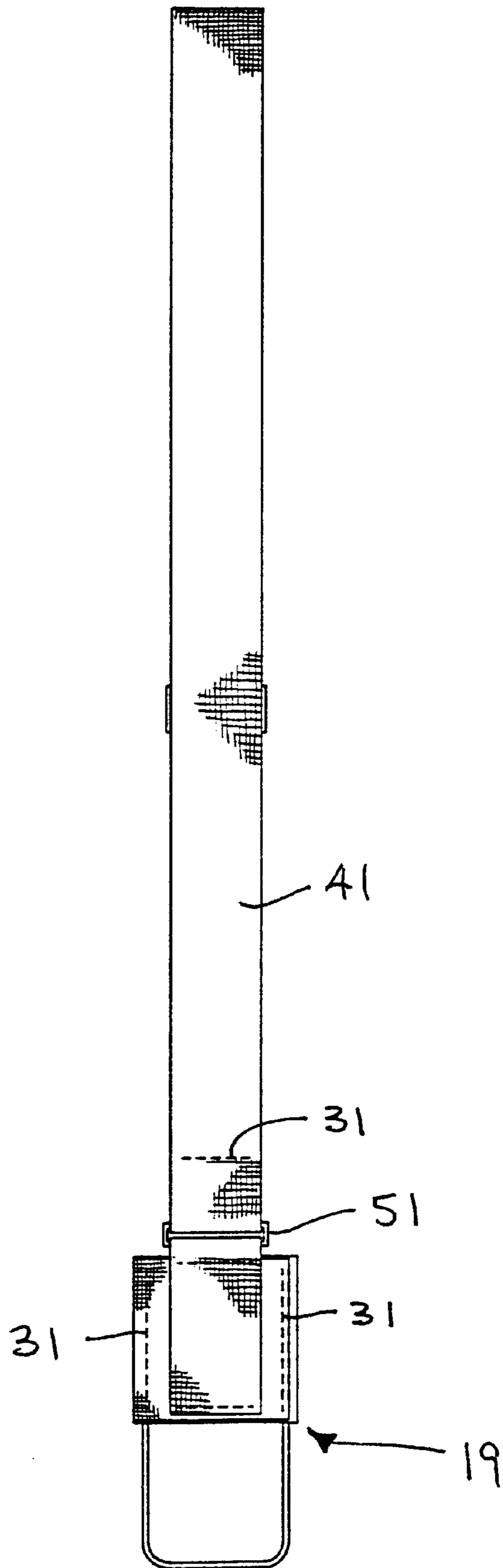


FIG. 5

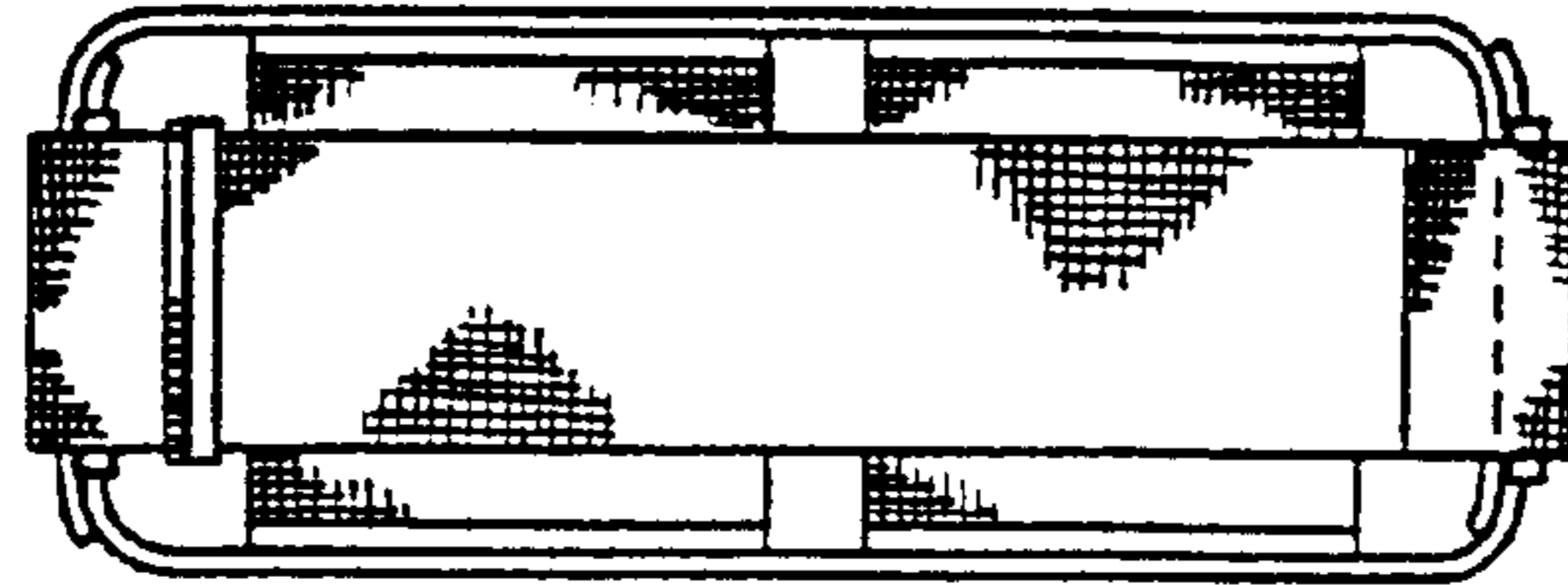


FIG. 6

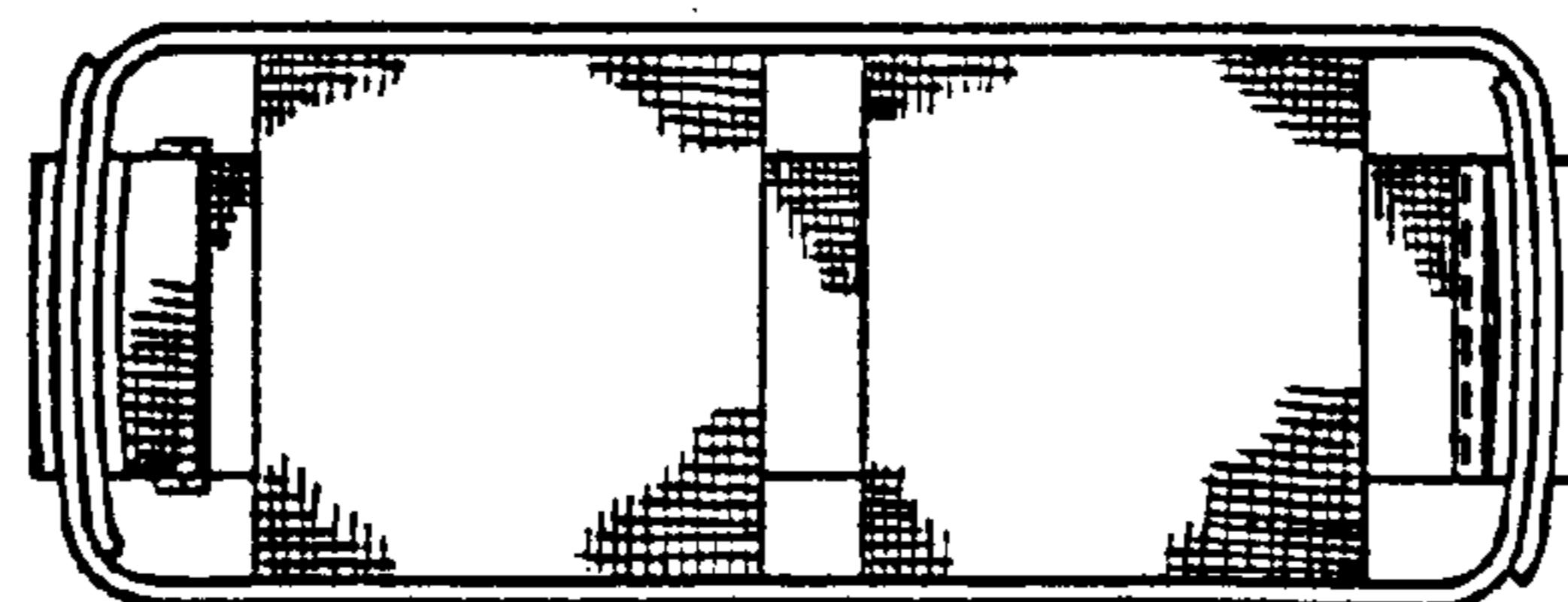


FIG 7

