



US00D461292S

(12) **United States Design Patent**  
**Sadler**

(10) **Patent No.:** **US D461,292 S**

(45) **Date of Patent:** **\*\* Aug. 6, 2002**

(54) **TROLLEY**

(75) Inventor: **Marc Sadler**, Venice (IT)

(73) Assignee: **Graepel Italiana S.p.A.**, Sabbioneta (IT)

(\*\*) Term: **14 Years**

(21) Appl. No.: **29/130,876**

(22) Filed: **Oct. 11, 2000**

(30) **Foreign Application Priority Data**

Apr. 11, 2000 (IT) ..... VE0000008

(51) **LOC (7) Cl.** ..... **12-02**

(52) **U.S. Cl.** ..... **D34/19; D34/20**

(58) **Field of Search** ..... D34/12-27; D6/462,  
D6/465; 280/79.11, 79.3, 47.34, 47.35,  
47.18; 211/126, 133

(56) **References Cited**

**U.S. PATENT DOCUMENTS**

D183,345 S \* 8/1958 Gottlieb ..... D34/19

D300,787 S \* 4/1989 Carter ..... D6/390

D301,790 S \* 6/1989 Ivano ..... D34/21

4,880,248 A \* 11/1989 Elmer ..... 280/47.35

\* cited by examiner

*Primary Examiner*—Kay H. Chin

(74) *Attorney, Agent, or Firm*—Hoffman, Wasson & Gitler, PC

(57) **CLAIM**

The ornamental design for trolley, as shown and described.

**DESCRIPTION**

FIG. 1 is a perspective view of a trolley in accordance with the invention;

FIG. 2 is a front view thereof;

FIG. 3 is a rear view thereof;

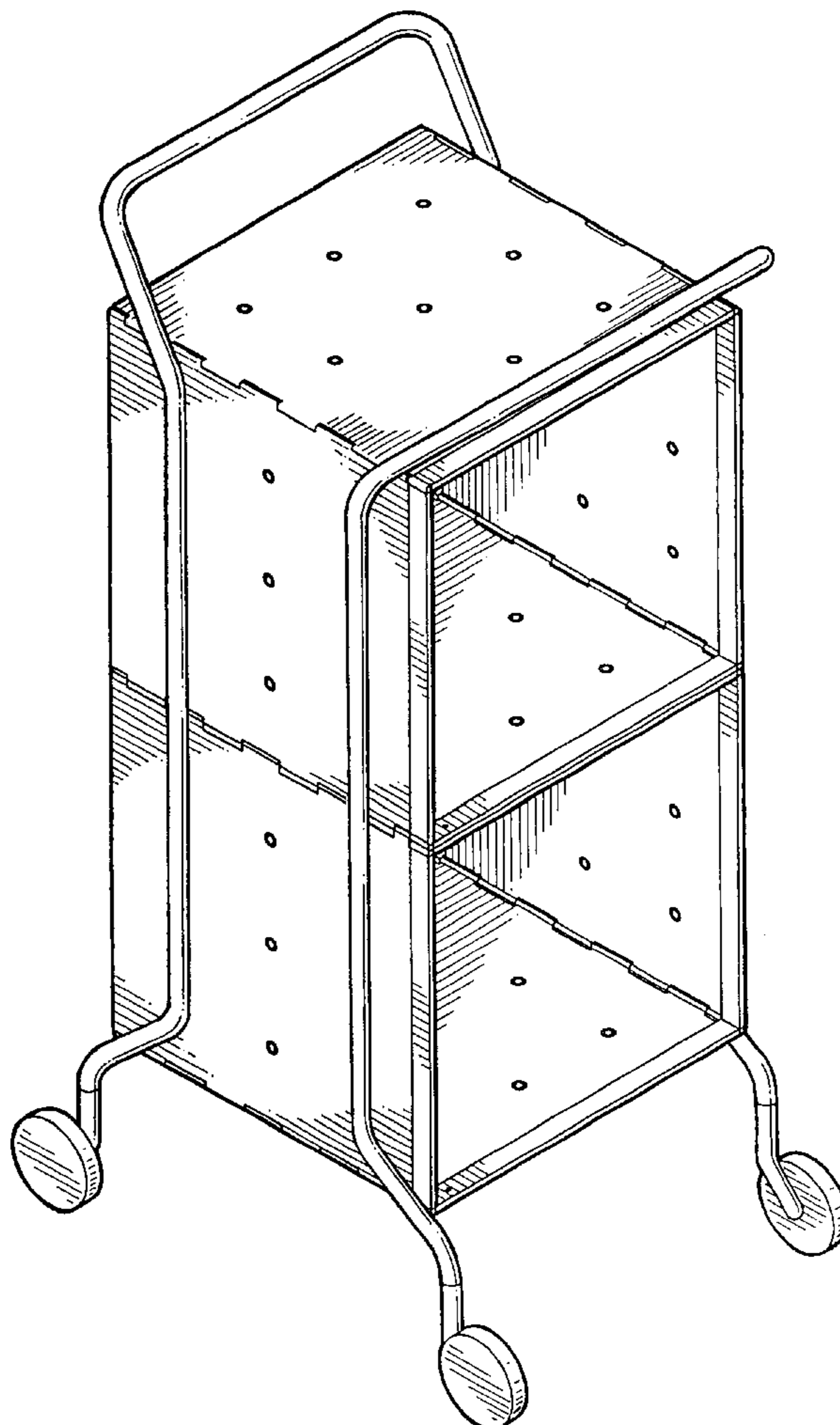
FIG. 4 is a left side elevation view thereof;

FIG. 5 is a right side elevation view thereof;

FIG. 6 is a bottom view thereof; and,

FIG. 7 is a top plan view thereof.

**1 Claim, 7 Drawing Sheets**



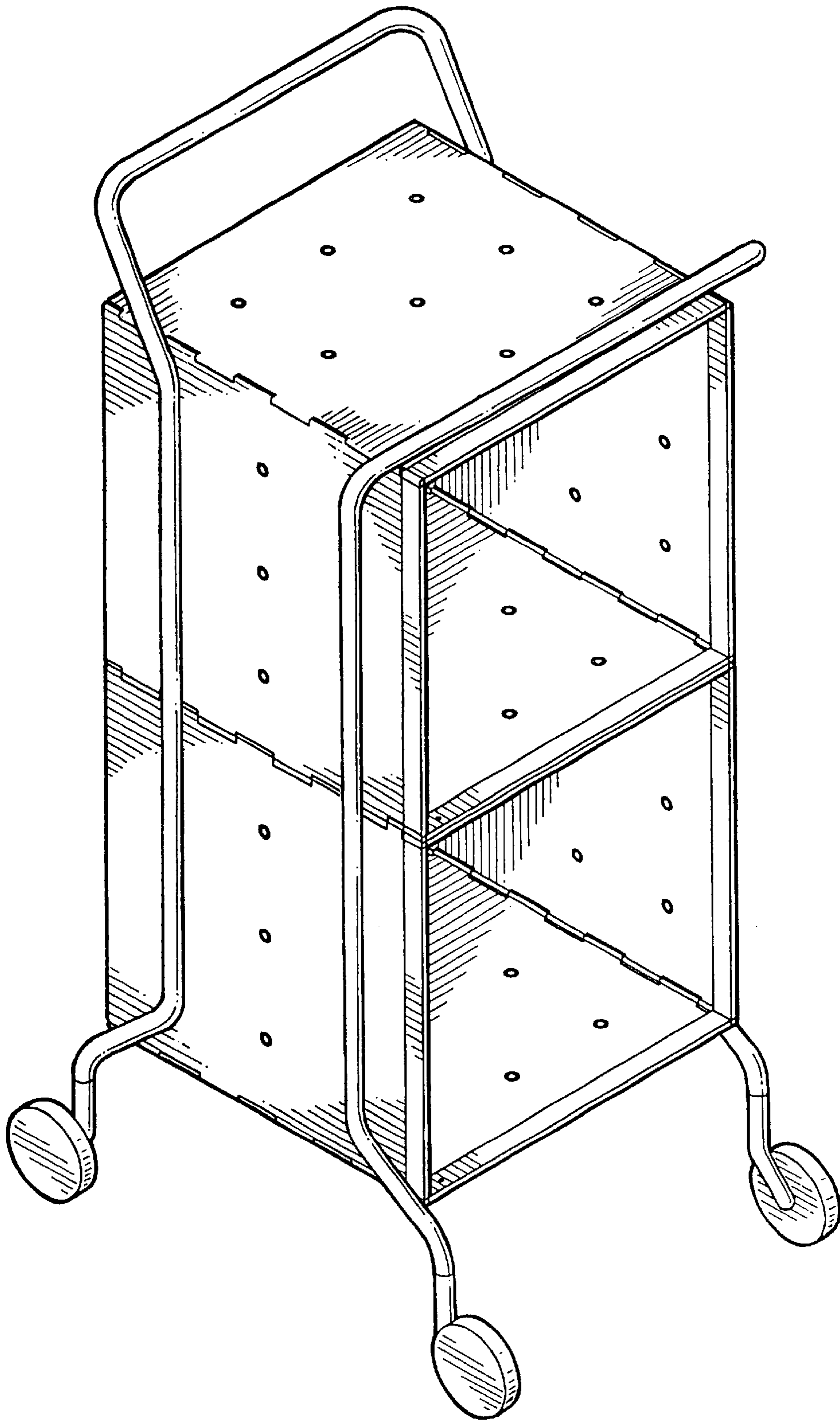


FIG. 1

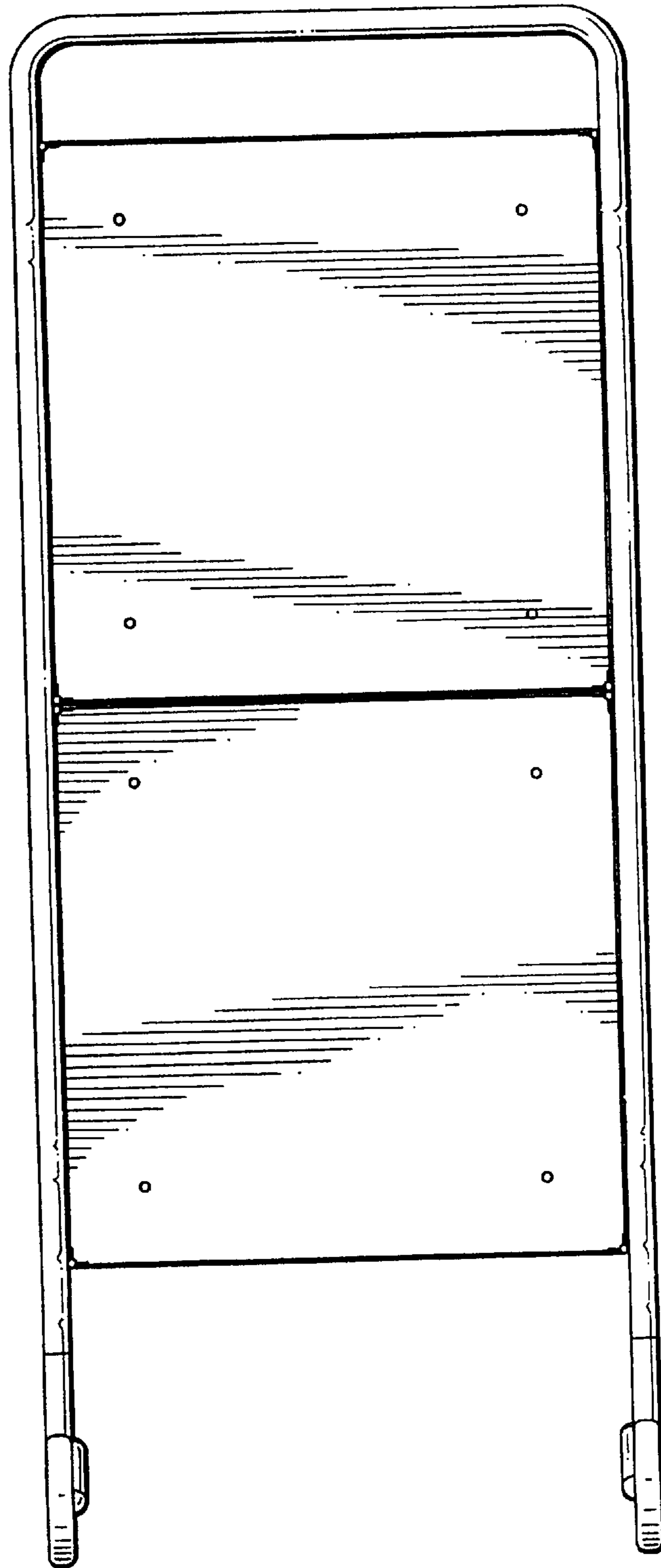


FIG. 2

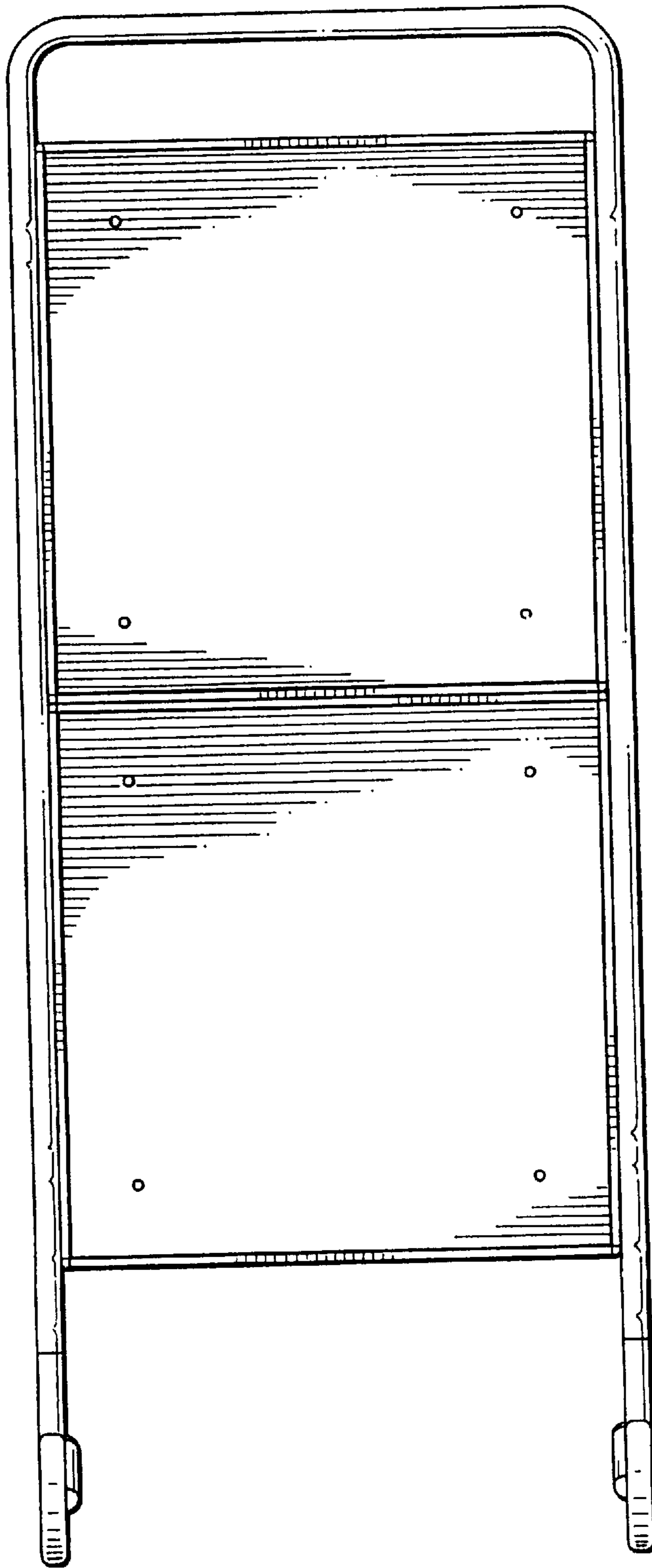


FIG. 3

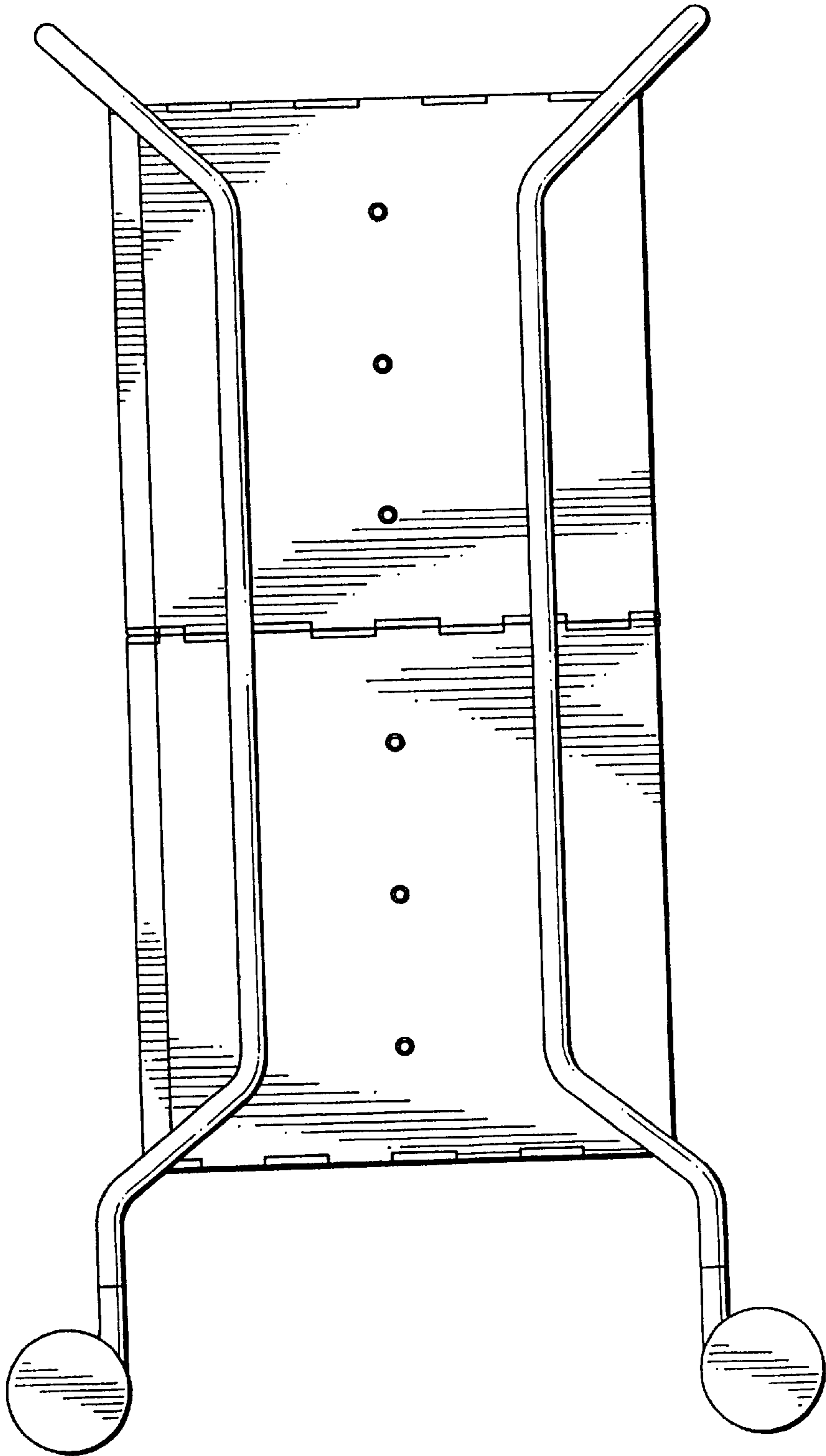


FIG. 4

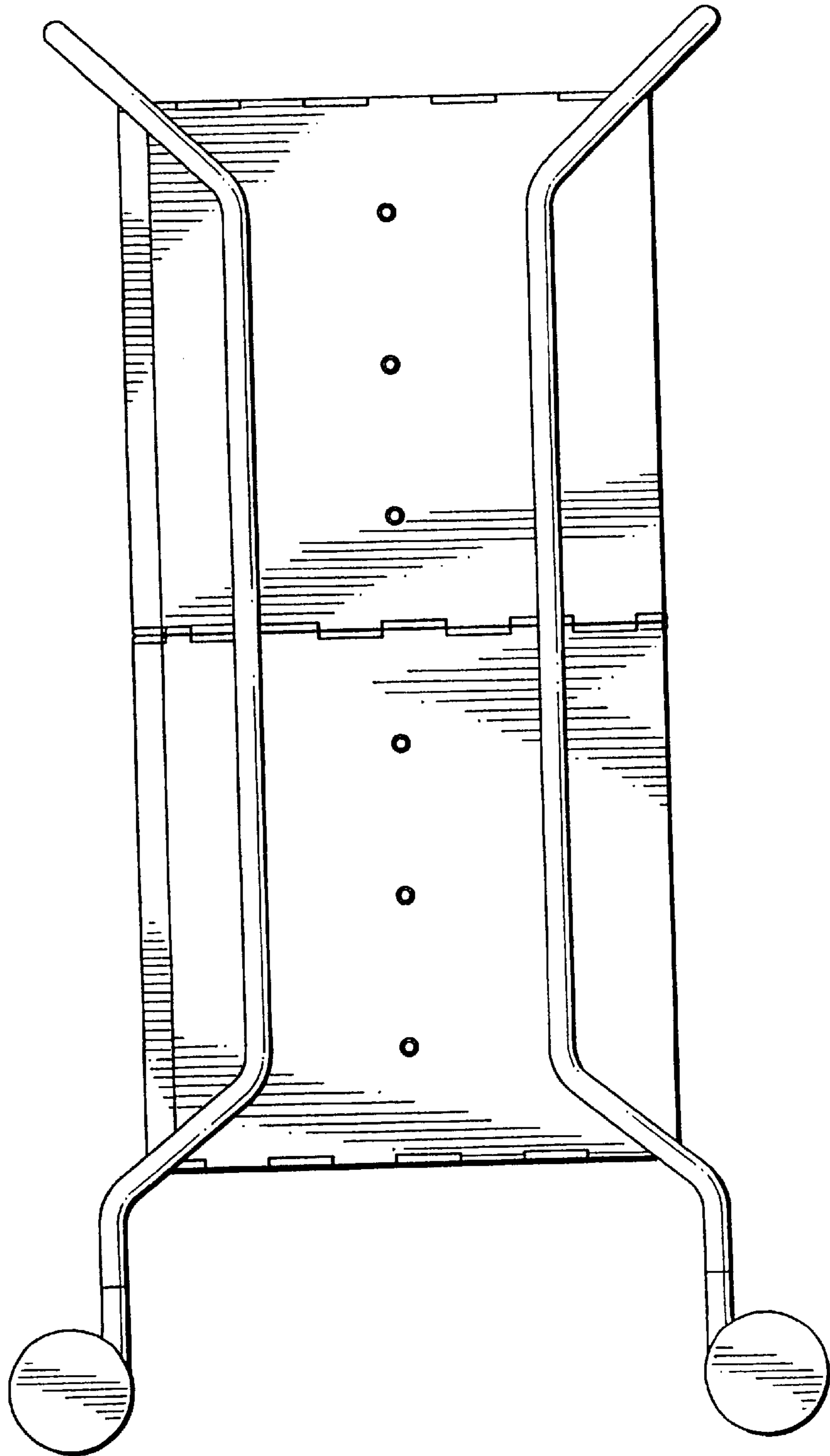


FIG .5

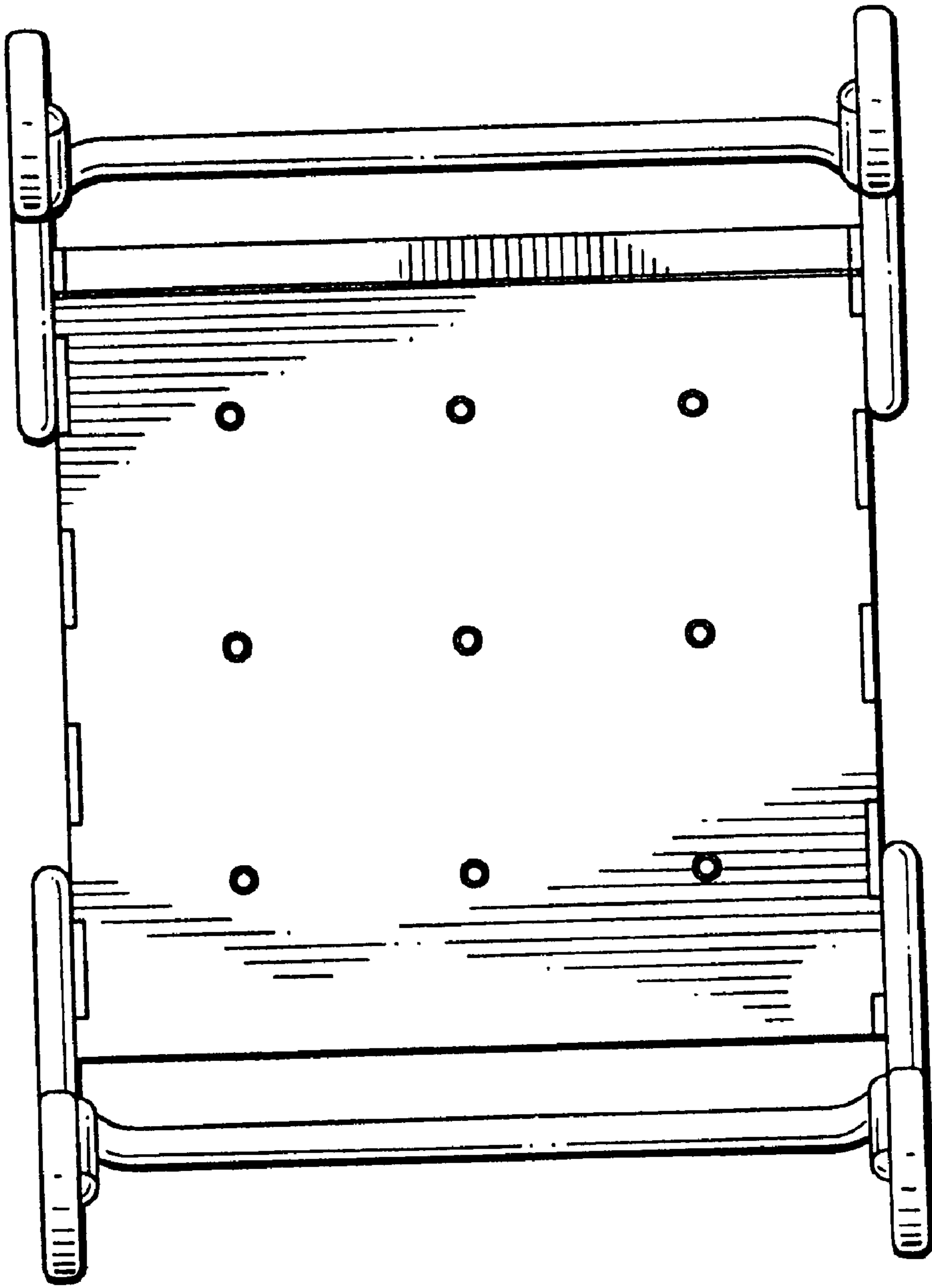
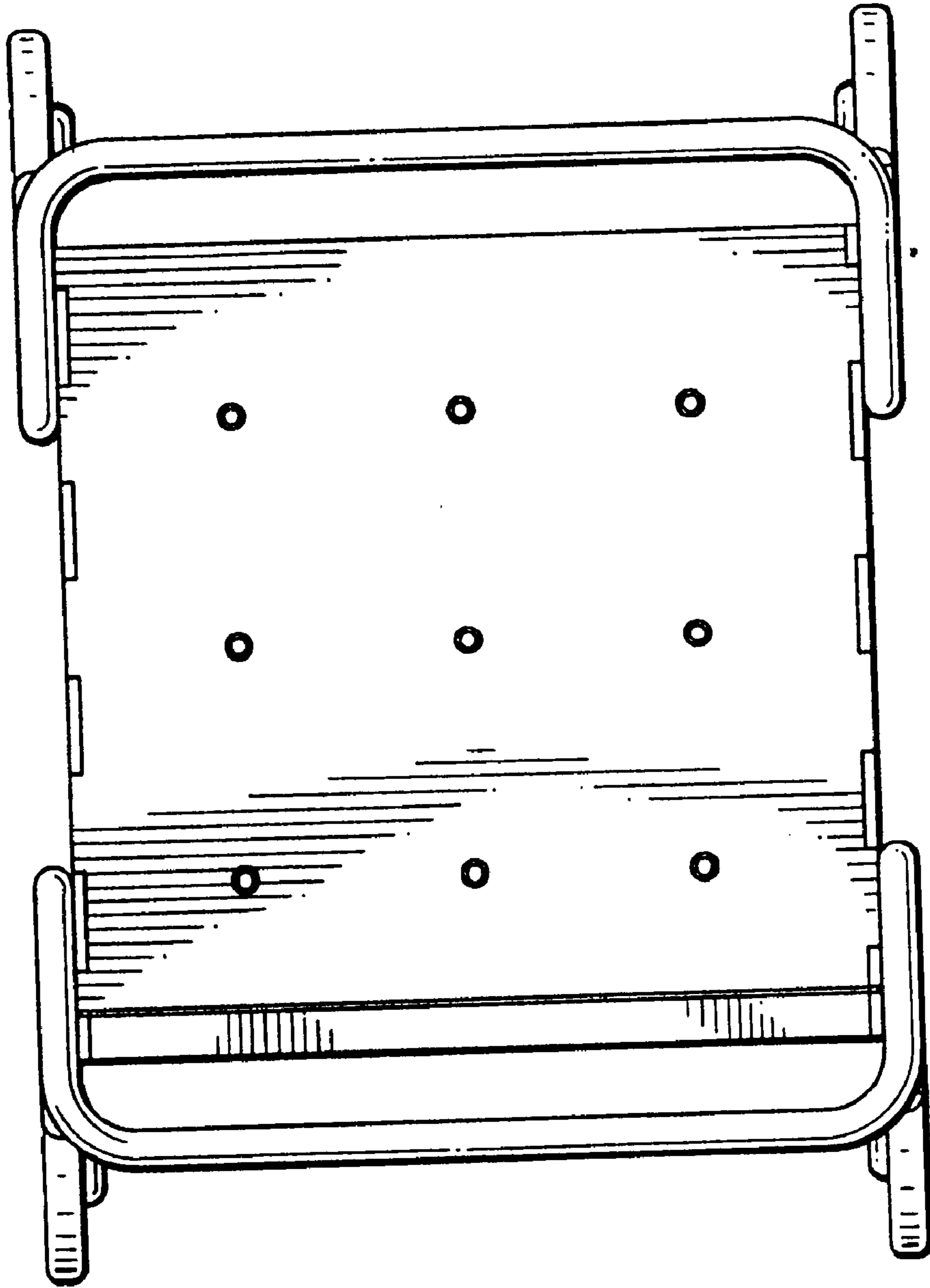


FIG. 6



**FIG. 7**