



US00D461289S

(12) **United States Design Patent**
LoSacco et al.

(10) **Patent No.:** **US D461,289 S**

(45) **Date of Patent:** **** Aug. 6, 2002**

(54) **PAINT BRUSH HOLDER**

(75) Inventors: **Vincent J. LoSacco**, 319 Lambert Ave., Northvale, NJ (US) 07647; **Daniel C. Notarnicola**, Middletown, NJ (US)

(73) Assignee: **Vincent J. LoSacco**, Northvale, NJ (US)

(**) Term: **14 Years**

(21) Appl. No.: **29/151,250**

(22) Filed: **Nov. 2, 2001**

(51) **LOC (7) Cl.** **07-07**

(52) **U.S. Cl.** **D32/54**

(58) **Field of Search** 222/570; 220/570, 220/695, 736, 697, 701, 700, 733; 248/110, 148; D32/53, 53.1, 54

(56) **References Cited**

U.S. PATENT DOCUMENTS

2,625,299 A * 1/1953 Uhlig 220/697

3,844,457 A * 10/1974 Smart 222/570

4,014,453 A * 3/1977 Tarnacki 220/697

5,375,736 A * 12/1994 Gonzalez et al. 220/697

D366,741 S * 1/1996 Roehrig D32/54

* cited by examiner

Primary Examiner—Jennifer Rivard

(74) *Attorney, Agent, or Firm*—Arthur Jacob

(57) **CLAIM**

The ornamental design for a paint brush holder, as shown and described.

DESCRIPTION

FIG. 1 is a front and right-side perspective view showing our new design;

FIG. 2 is a front elevational view thereof;

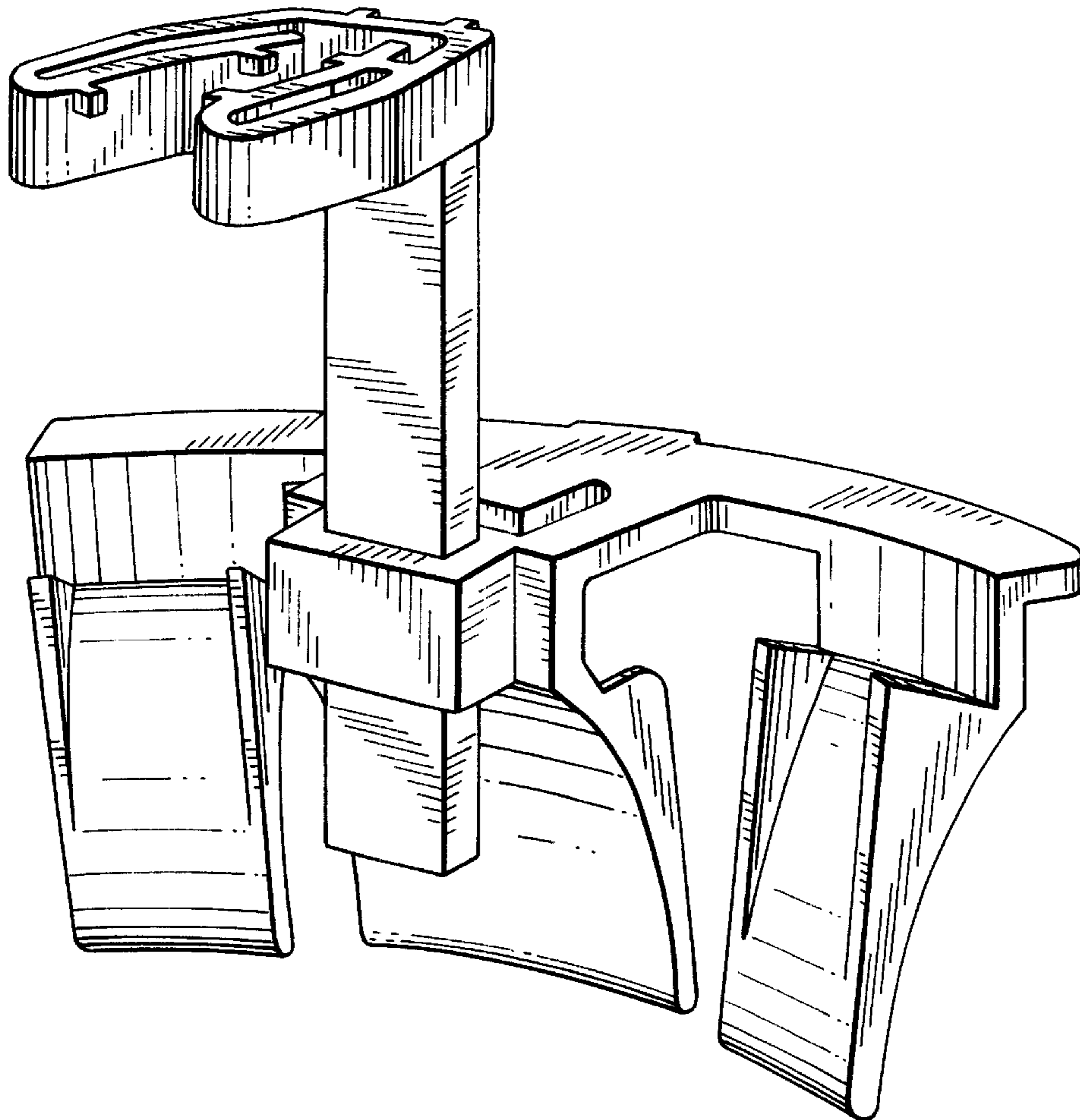
FIG. 3 is a top plan view thereof;

FIG. 4 is a right side elevational view thereof, the left side elevational view being a mirror-image thereof;

FIG. 5 is a rear elevational view thereof; and,

FIG. 6 is a bottom plan view thereof.

1 Claim, 6 Drawing Sheets



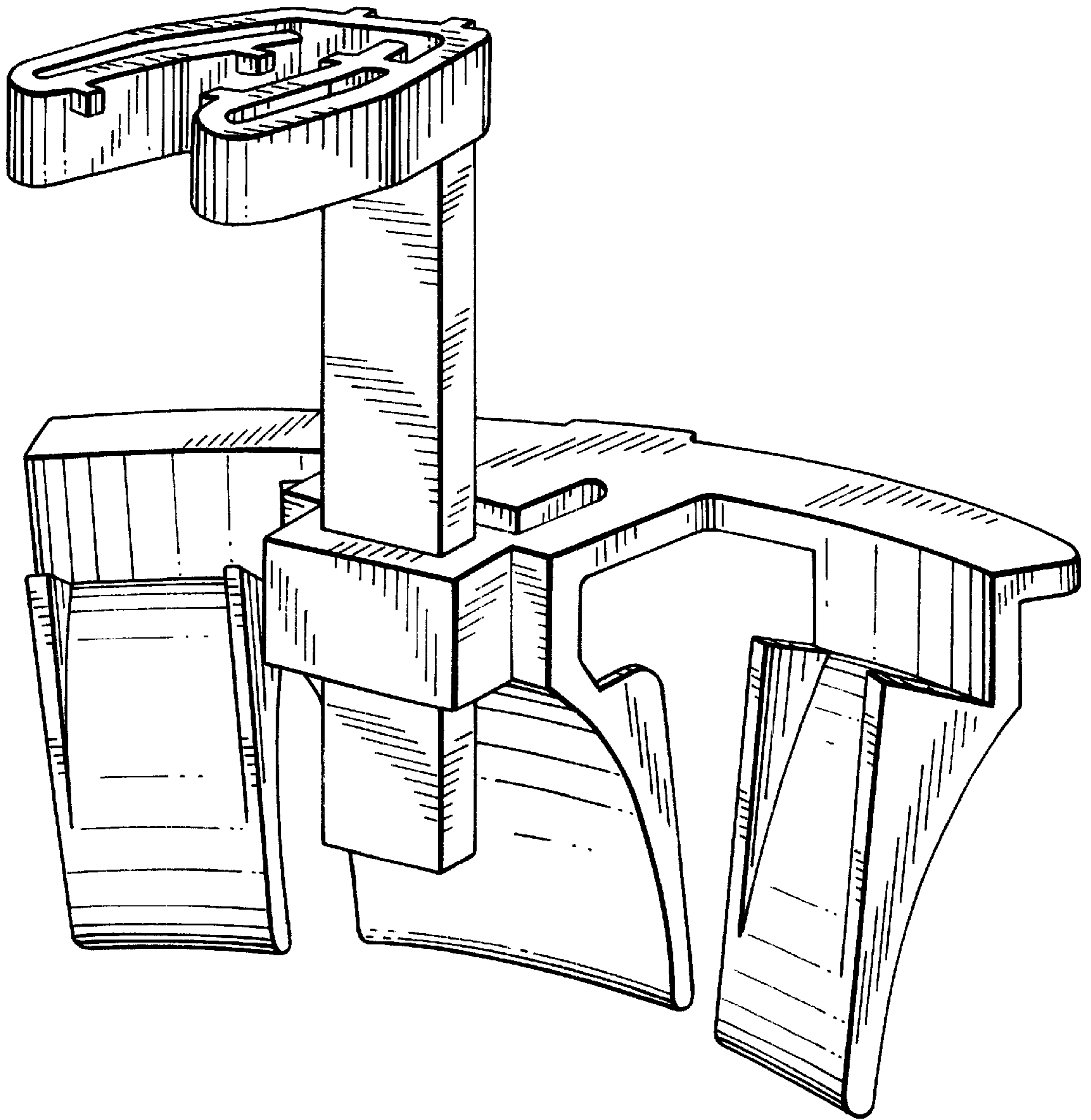


FIG. 1

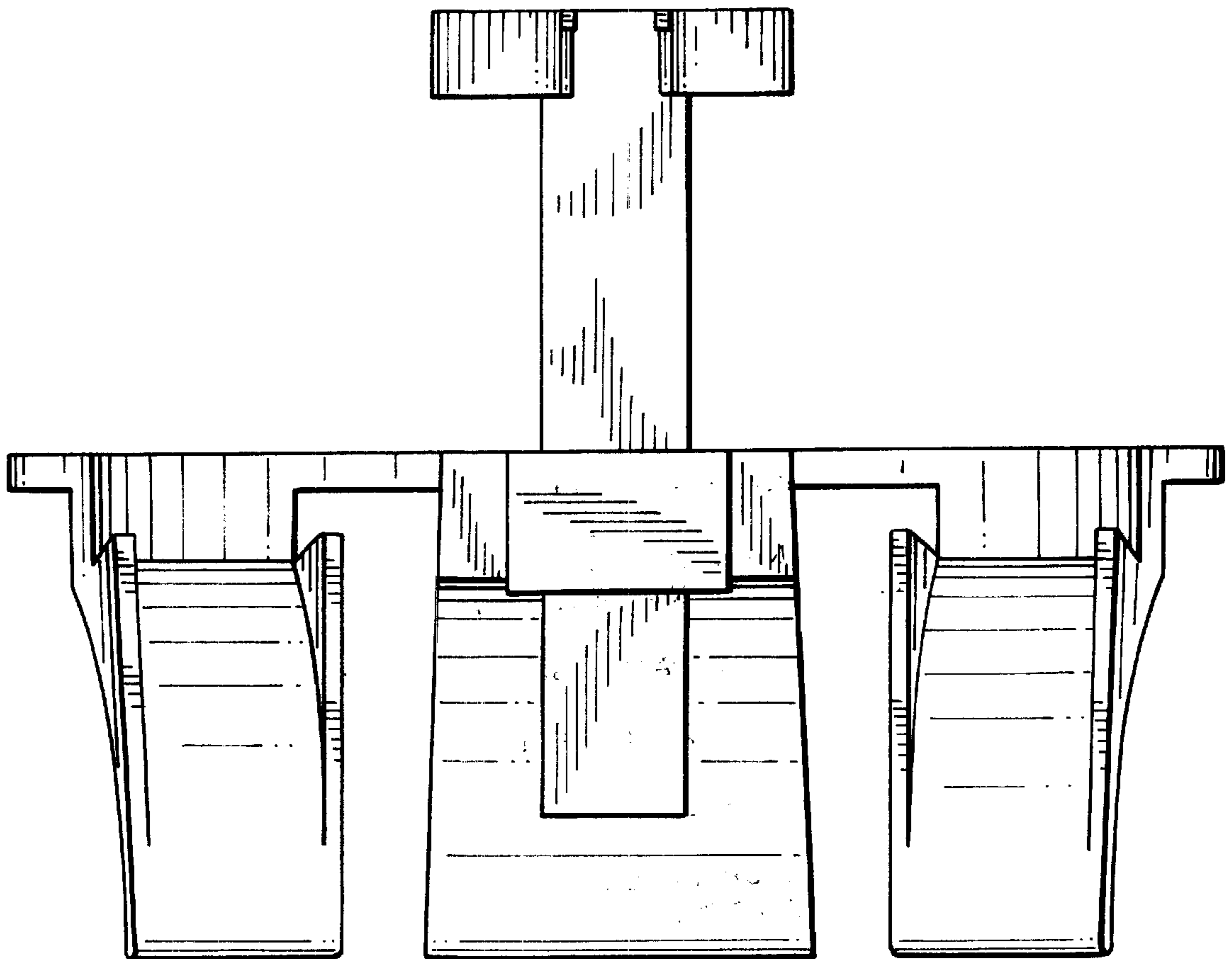
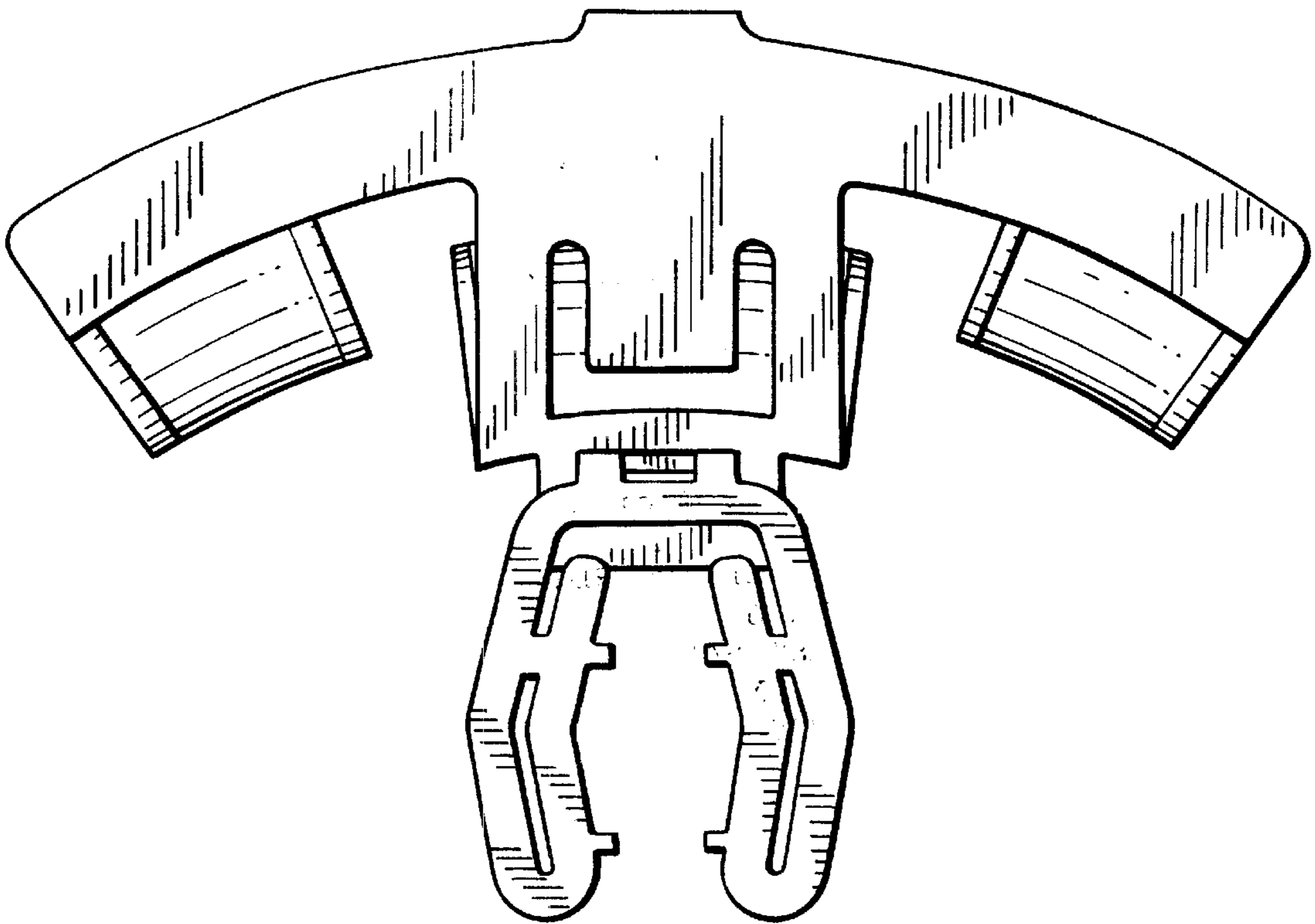


FIG. 2

FIG. 3



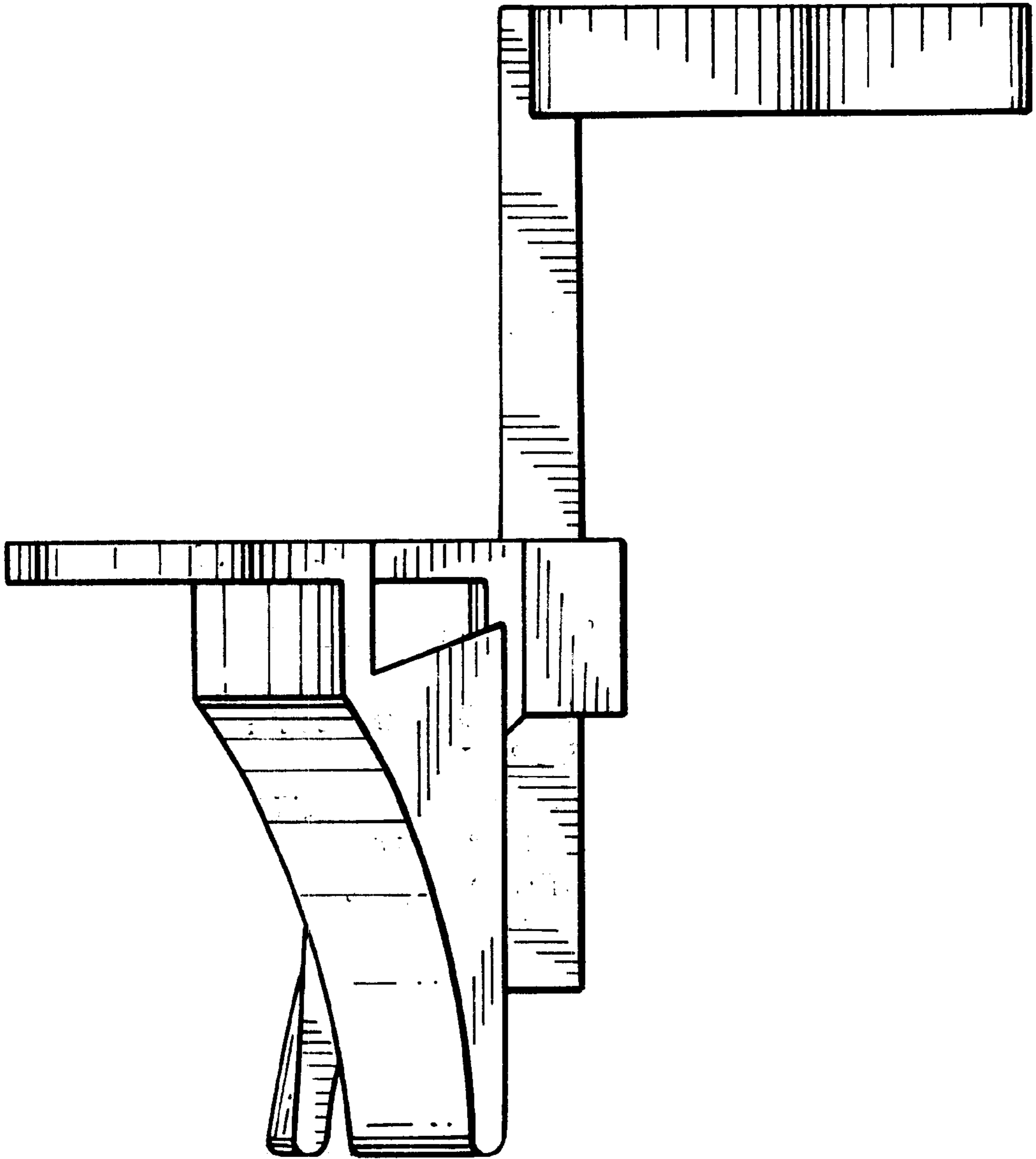


FIG. 4

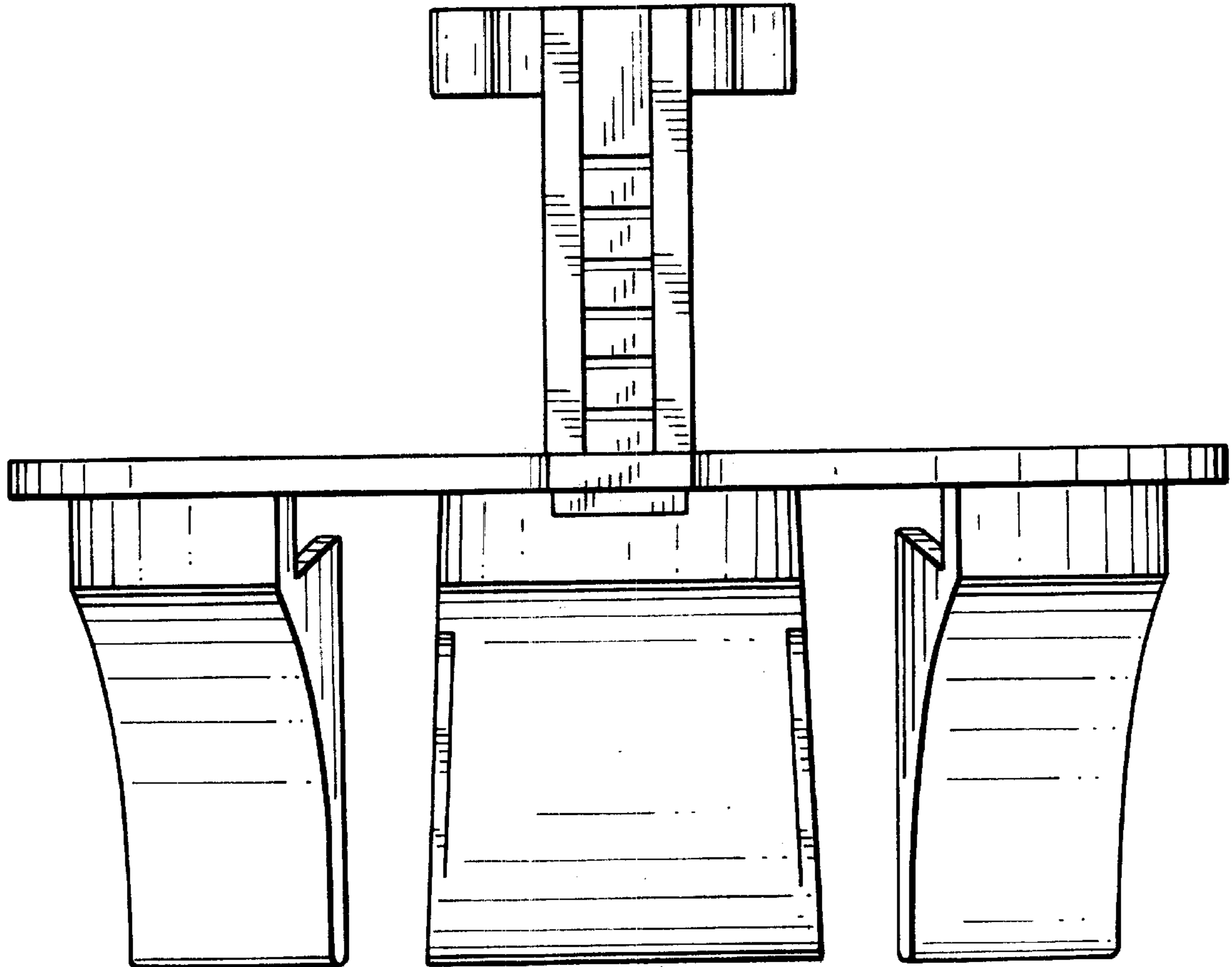


FIG. 5

FIG. 6

