



US00D461288S

(12) **United States Design Patent**  
**Tennant**

(10) **Patent No.:** **US D461,288 S**

(45) **Date of Patent:** **\*\* Aug. 6, 2002**

(54) **PAINT TRAY WITH BRUSH HOLDER**

(75) Inventor: **Steven C. Tennant**, Wooster, OH (US)

(73) Assignee: **The Wooster Brush Company**,  
Wooster, OH (US)

(\*\*) Term: **14 Years**

(21) Appl. No.: **29/146,210**

(22) Filed: **Aug. 6, 2001**

(51) **LOC (7) Cl.** ..... **07-07**

(52) **U.S. Cl.** ..... **D32/53.1**

(58) **Field of Search** ..... 220/570, 697,  
220/771; D32/53.1; 15/257.05, 257.06

(56) **References Cited**

**U.S. PATENT DOCUMENTS**

D332,512 S	*	1/1993	Bernard	.....	D32/53.1
D338,619 S		8/1993	Mylander et al.		
5,509,169 A	*	4/1996	Drucker	.....	15/257.05
5,533,228 A		7/1996	Jarecki et al.		
D397,833 S		9/1998	Adams Zurawin		

\* cited by examiner

*Primary Examiner*—Jennifer Rivard

(74) *Attorney, Agent, or Firm*—Renner, Otto, Boisselle & Sklar, LLP

(57) **CLAIM**

The ornamental design for a paint tray with brush holder, as shown and described.

**DESCRIPTION**

FIG. 1 is a perspective view of a paint tray with brush holder showing my new design;

FIG. 2 is a top plan view thereof;

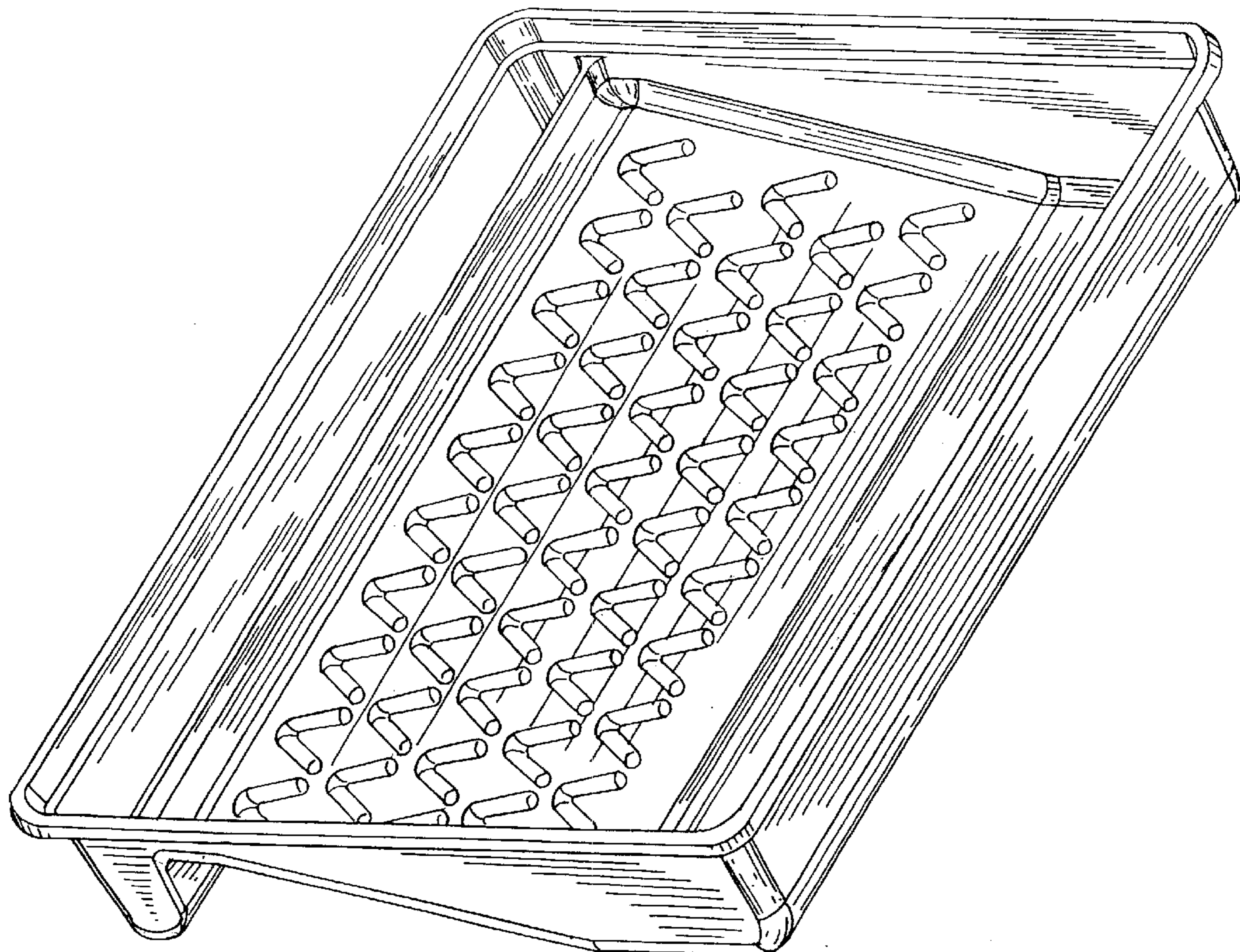
FIG. 3 is a bottom plan view thereof;

FIG. 4 is a side elevation view of one side thereof, the opposite side being a mirror image;

FIG. 5 is an end elevation view thereof as seen from the left end of FIG. 4; and,

FIG. 6 is an end elevation view thereof as seen from the right end of FIG. 4.

**1 Claim, 5 Drawing Sheets**



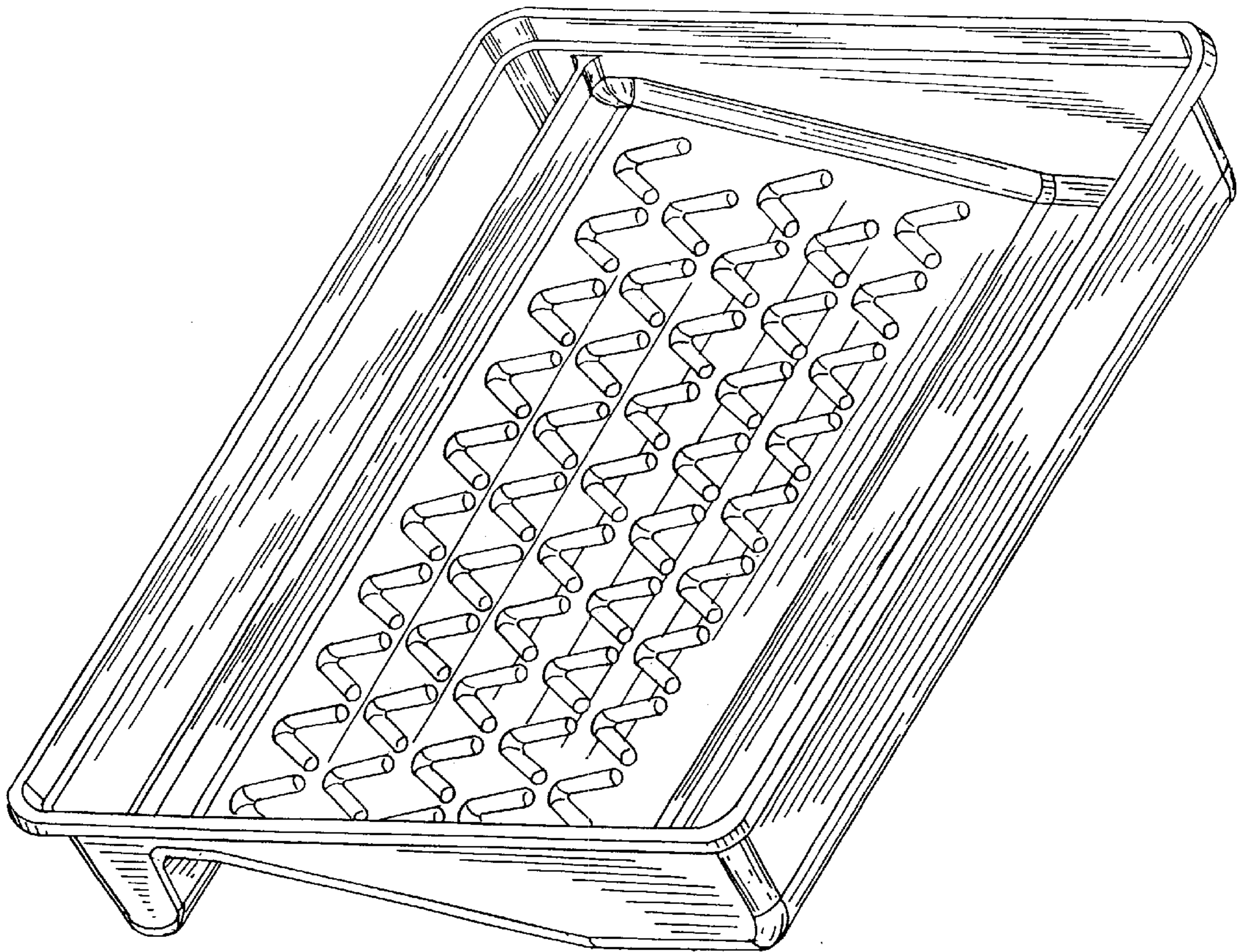


FIG. 1

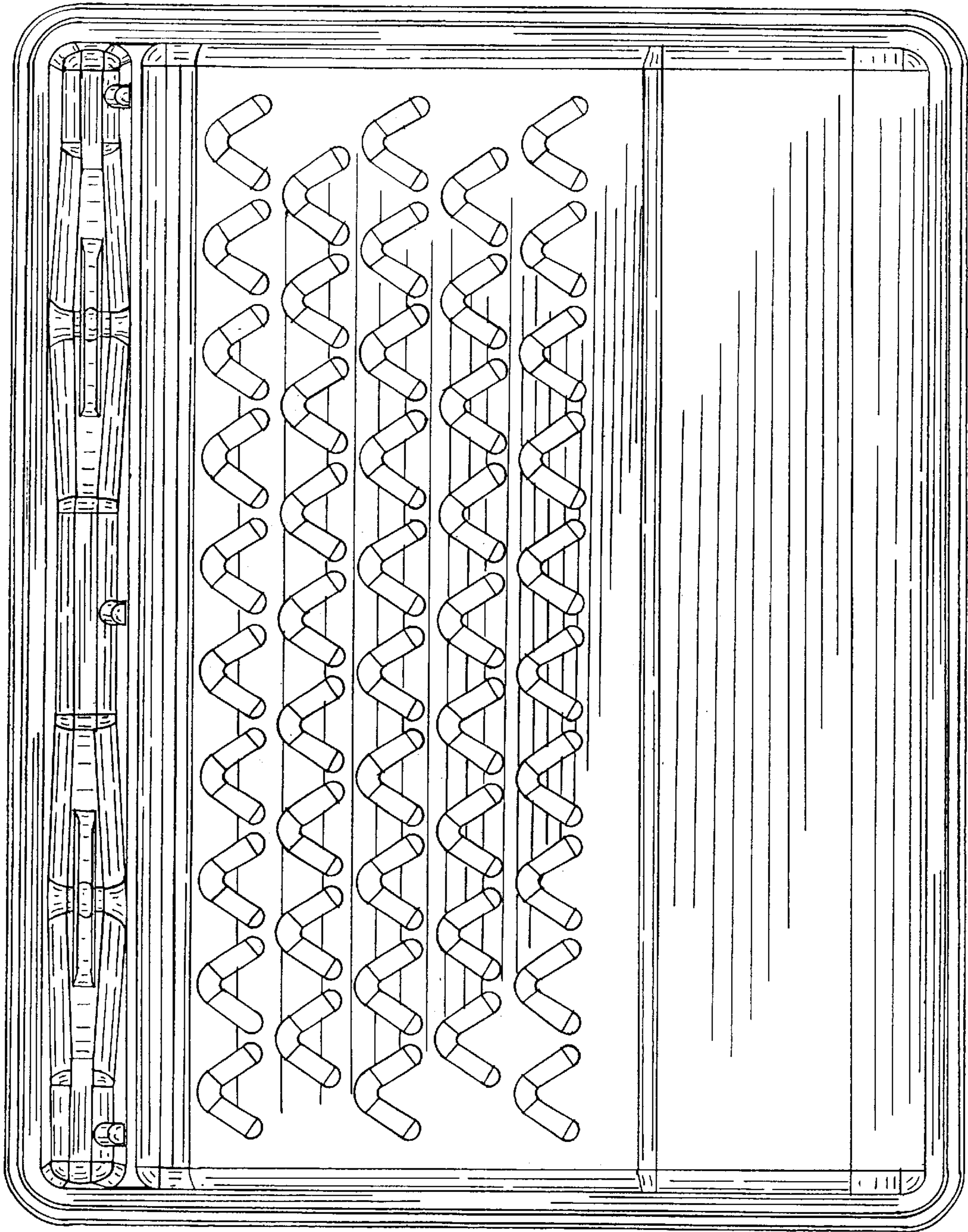


FIG. 2

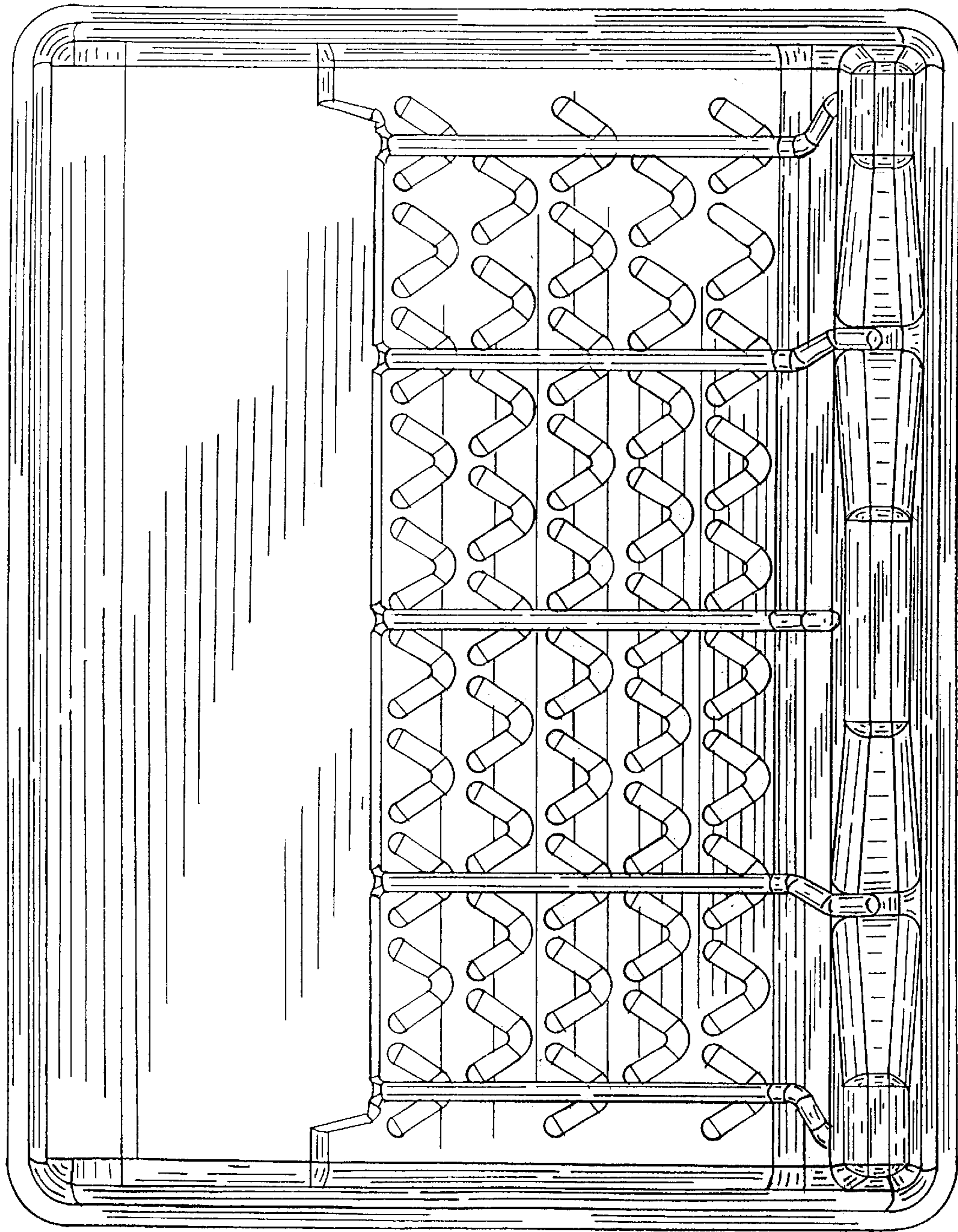


FIG. 3

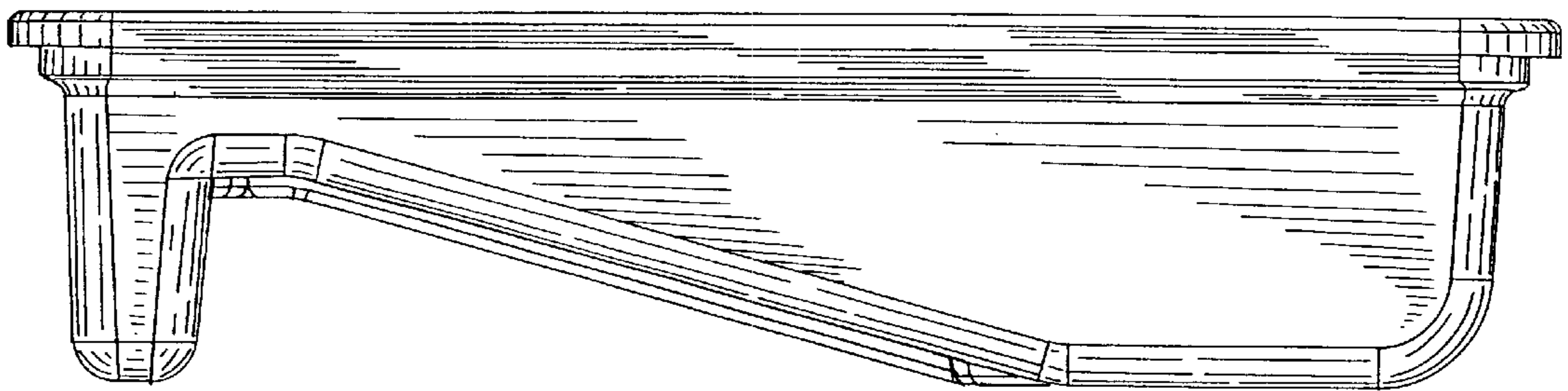


FIG. 4

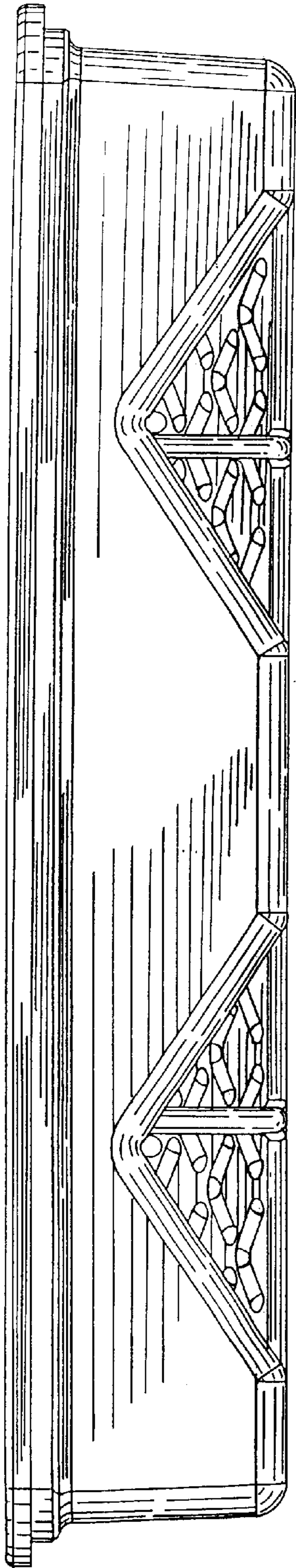


FIG. 5

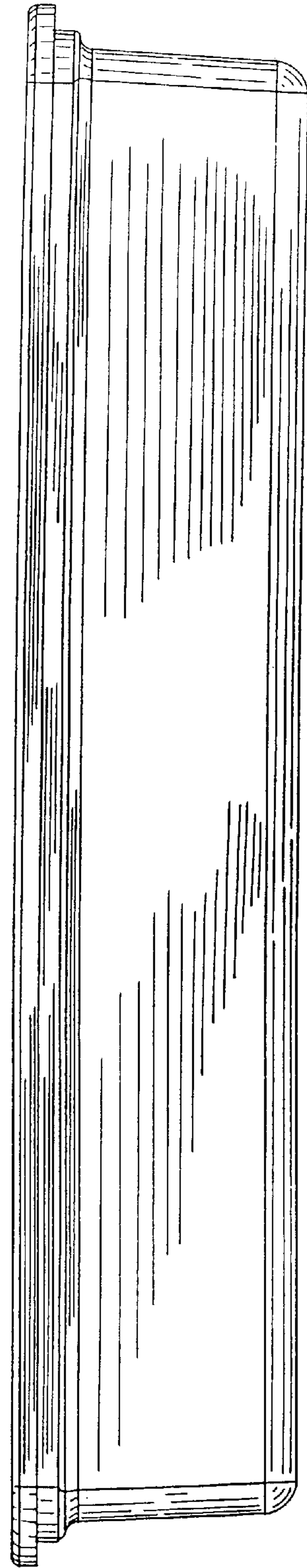


FIG. 6