



US00D461287S

(12) **United States Design Patent**  
**Hansen**

(10) **Patent No.:** **US D461,287 S**

(45) **Date of Patent:** **\*\* Aug. 6, 2002**

(54) **SQUEEGEE HANDLE**

D422,765 S \* 4/2000 Viola ..... D32/35  
6,213,055 B1 \* 4/2001 Willinger et al. .... 15/143.1

(75) Inventor: **Alan M. Hansen**, Lake Oswego, OR  
(US)

\* cited by examiner

(73) Assignee: **Cleret, Inc.**, Portland, OR (US)

*Primary Examiner*—Jennifer Rivard

(74) *Attorney, Agent, or Firm*—Olson & Olson

(\*\*) Term: **14 Years**

(57) **CLAIM**

(21) Appl. No.: **29/147,789**

The ornamental design for the squeegee handle, as shown and described.

(22) Filed: **Sep. 4, 2001**

**DESCRIPTION**

(51) **LOC (7) Cl.** ..... **08-99**

FIG. 1 is a perspective view of the squeegee handle of this invention as viewed from the upper front end, a replaceable blade member not forming a part of the design being shown in broken lines.

(52) **U.S. Cl.** ..... **D32/41; D8/307**

FIG. 2 is a top plan view of the squeegee handle itself, the opposite bottom plan view being a mirror image thereof; and,

(58) **Field of Search** ..... 16/422; D8/300,  
D8/307; 15/121, 143.1, 245, 245.1, 144.1;  
D32/41, 35, 48, 49; 30/169

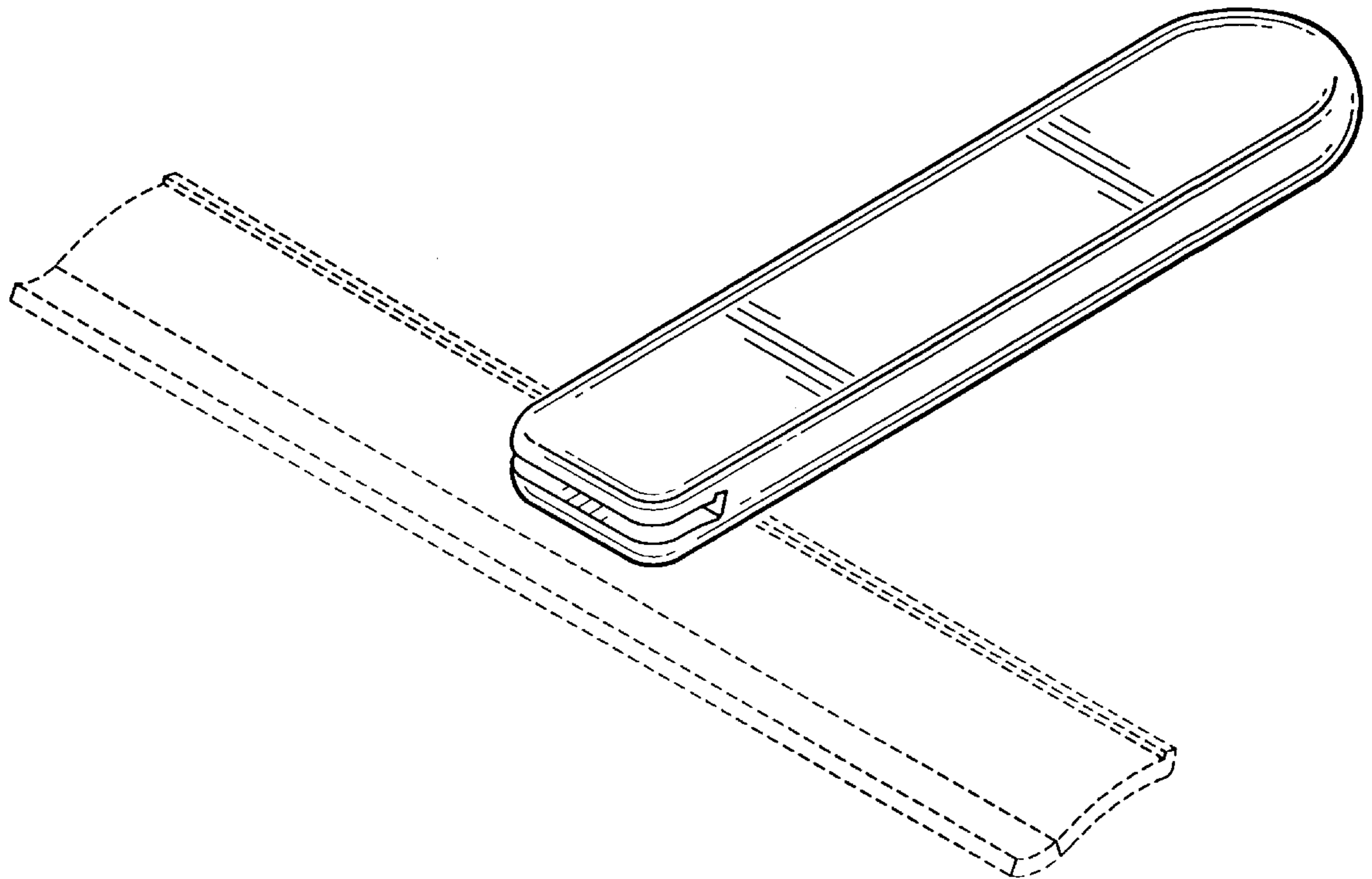
FIG. 3 is a side elevation of the handle as viewed from the bottom in FIG. 2, the opposite side view being a mirror image thereof.

(56) **References Cited**

**U.S. PATENT DOCUMENTS**

4,794,694 A \* 1/1989 Daniel et al. .... 30/169  
5,611,102 A \* 3/1997 Lesinsky et al. .... 15/144.1  
5,615,445 A \* 4/1997 Kelsay et al. .... 15/143.1

**1 Claim, 1 Drawing Sheet**



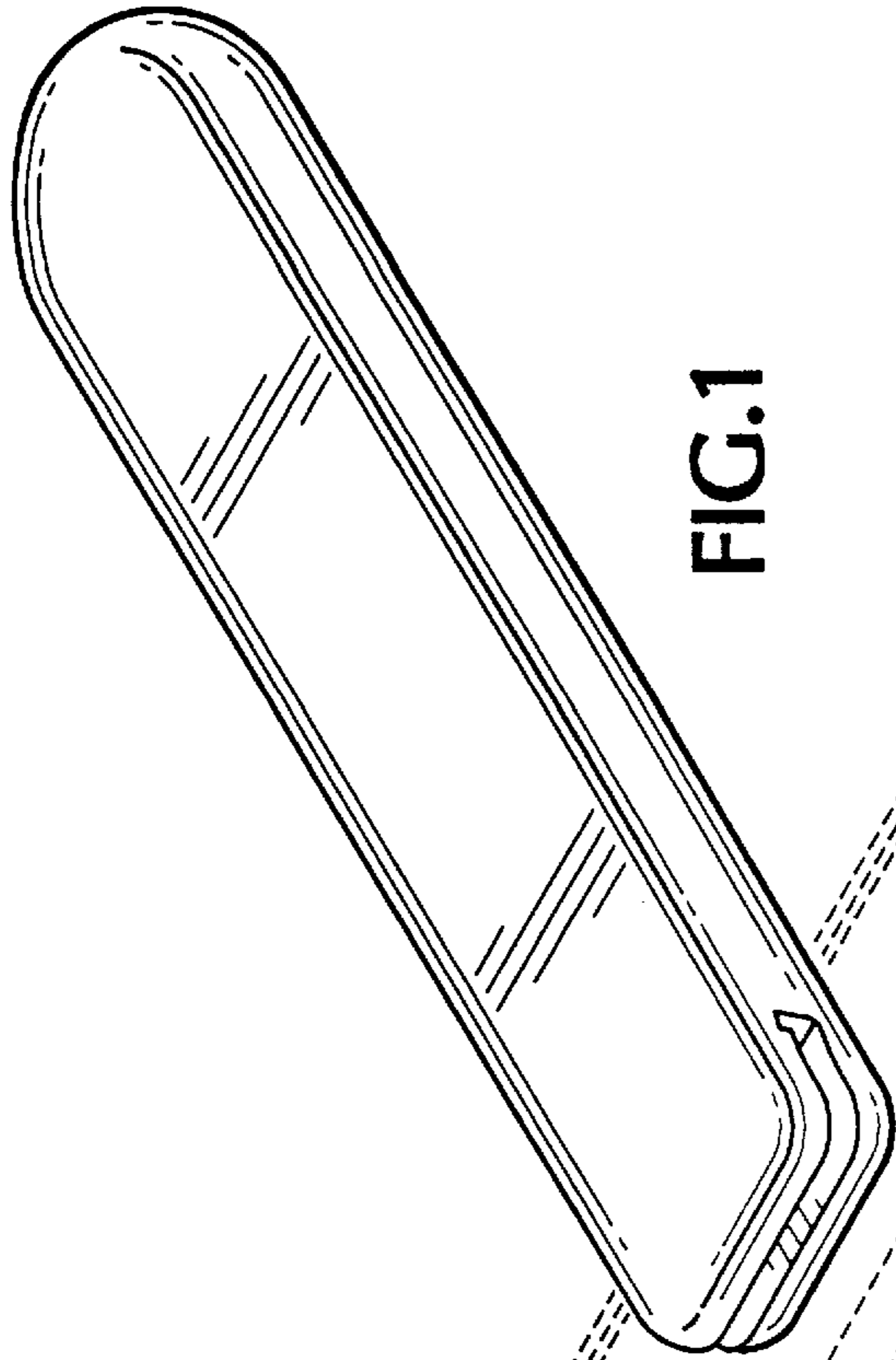


FIG. 1

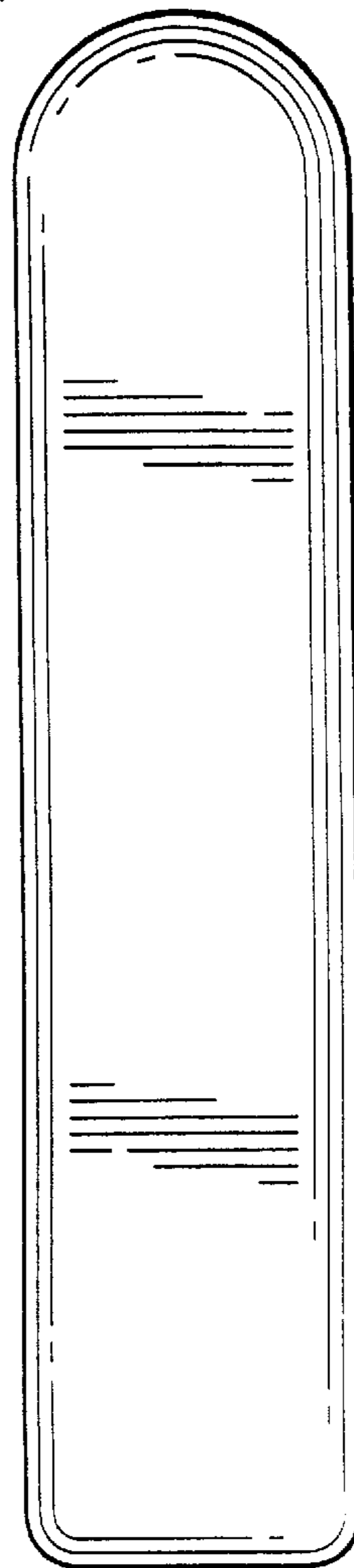
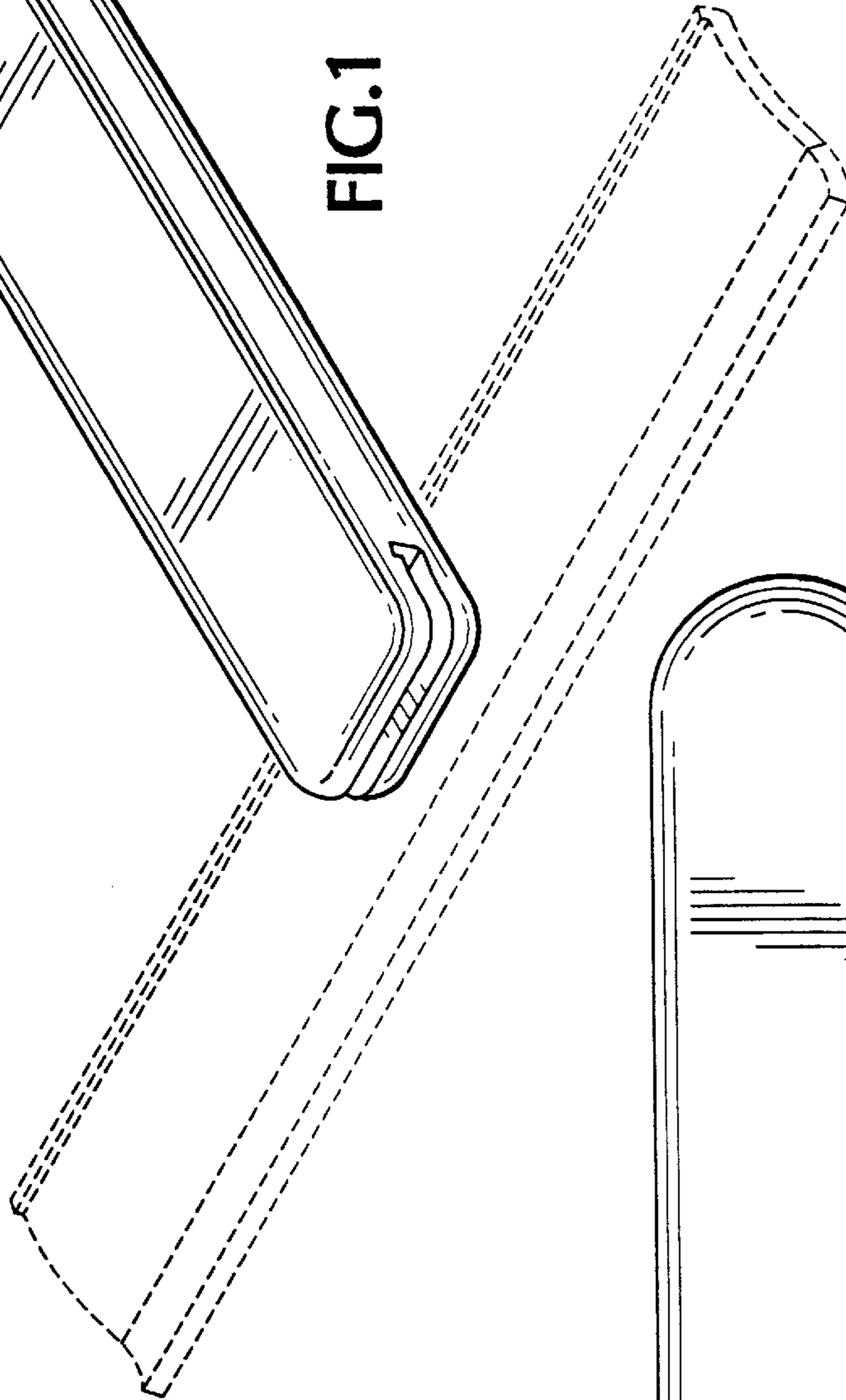


FIG. 2



FIG. 3