



US00D461286S

(12) **United States Design Patent**
Wareham

(10) **Patent No.: US D461,286 S**

(45) **Date of Patent: ** *Aug. 6, 2002**

(54) **MEDIAL FRONT PORTION OF A SUCTION NOZZLE**

(75) Inventor: **Richard A. Wareham**, North Canton, OH (US)

(73) Assignee: **The Hoover Company**, North Canton, OH (US)

(*) Notice: This patent is subject to a terminal disclaimer.

(**) Term: **14 Years**

(21) Appl. No.: **29/123,177**

(22) Filed: **May 12, 2000**

Related U.S. Application Data

(62) Division of application No. 29/086,091, filed on Apr. 6, 1998, which is a division of application No. 29/068,962, filed on Apr. 16, 1997, now Pat. No. Des. 407,872.

(51) **LOC (7) Cl. 15-05**

(52) **U.S. Cl. D32/32**

(58) **Field of Search D32/21-22, 25, D32/31-34; 15/322, 354, 355, 358, 362, 366, 378, 383-384, 400, 412, 414, 415.1-422, 422.1**

(56) **References Cited**

U.S. PATENT DOCUMENTS

D249,349 S * 9/1978 Wareham D32/32

D263,235 S	*	3/1982	Akita	D32/22
D329,513 S	*	9/1992	Kieft et al.	D32/32
D333,892 S	*	3/1993	Wareham	D32/32
D347,500 S	*	5/1994	Abe et al.	D32/22
D356,880 S	*	3/1995	Kieft	D32/31
D358,242 S	*	5/1995	McKnight	D32/32
D358,913 S	*	5/1995	Sugiyama et al.	D32/22
D407,872 S	*	4/1999	Wareham et al.	D32/31
D428,223 S	*	7/2000	Wareham et al.	D32/32

* cited by examiner

Primary Examiner—Ruth McInroy

(74) *Attorney, Agent, or Firm*—A. Burgess Lowe; Bruce P. Watson

(57) **CLAIM**

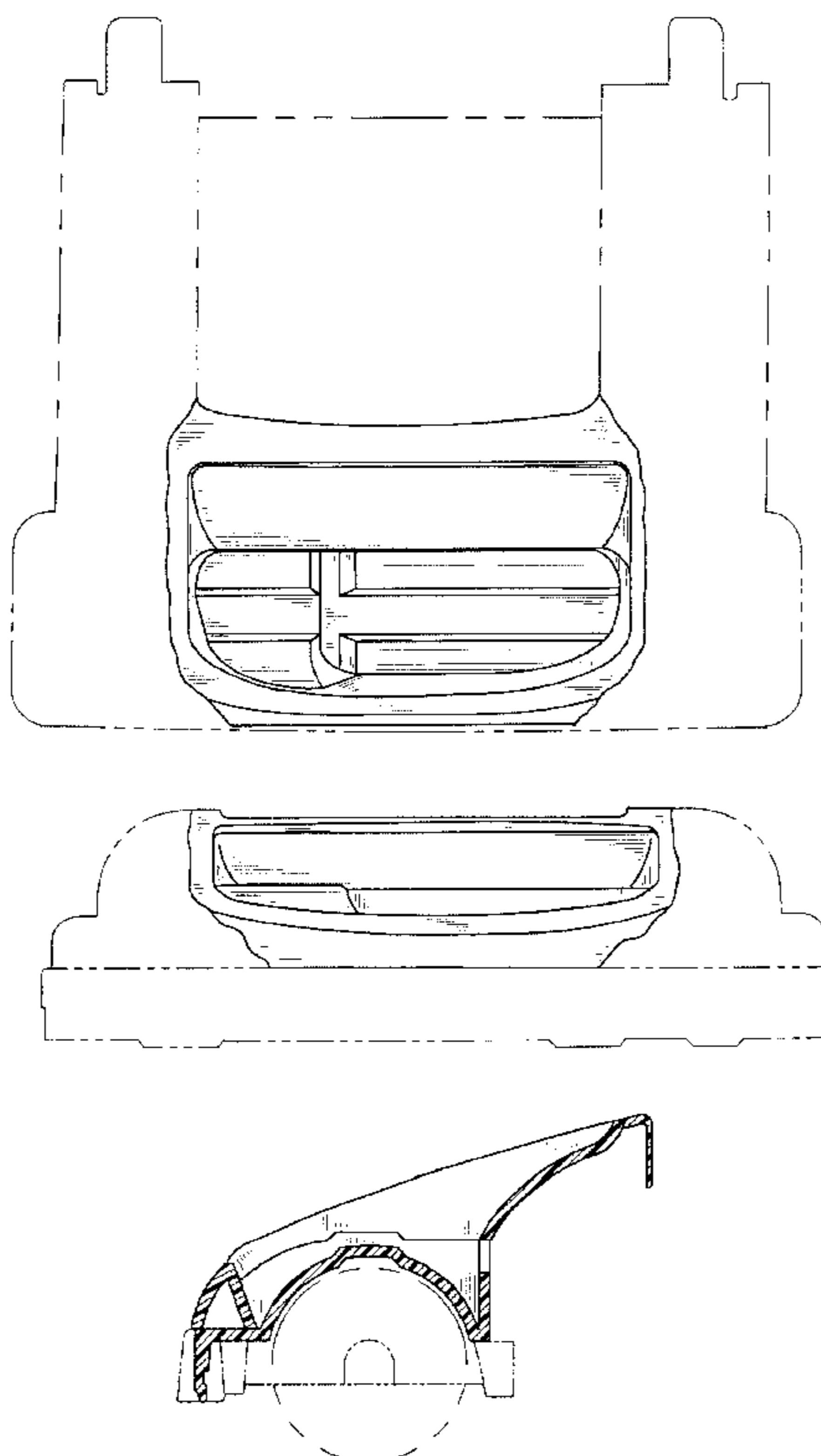
The ornamental design for a medial front portion of a suction nozzle, as shown and described.

DESCRIPTION

FIG. 1 is a top plan view of a medial front portion of a suction nozzle showing my new design; FIG. 2 is a front elevational view thereof; FIG. 3 is an enlarged top plan view thereof; FIG. 4 is a cross-sectional view thereof taken along line 4—4 in FIG. 3; and, FIG. 5 is a cross-sectional view thereof taken along line 5—5 in FIG. 3.

The portions shown in broken lines in FIGS. 1 through 5 are shown for illustrative purposes only and form no part of the claimed design.

1 Claim, 3 Drawing Sheets



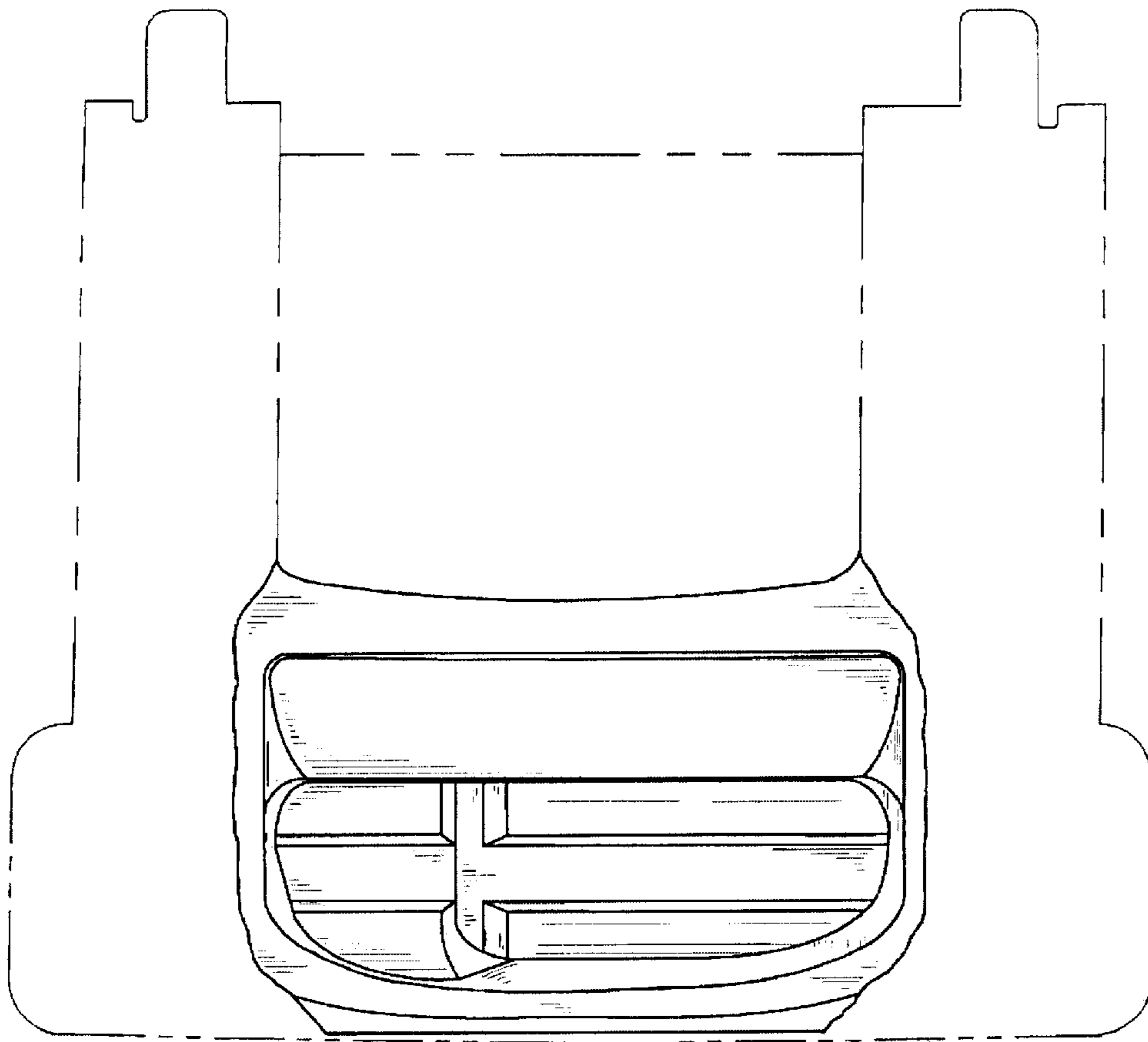


FIG. -1

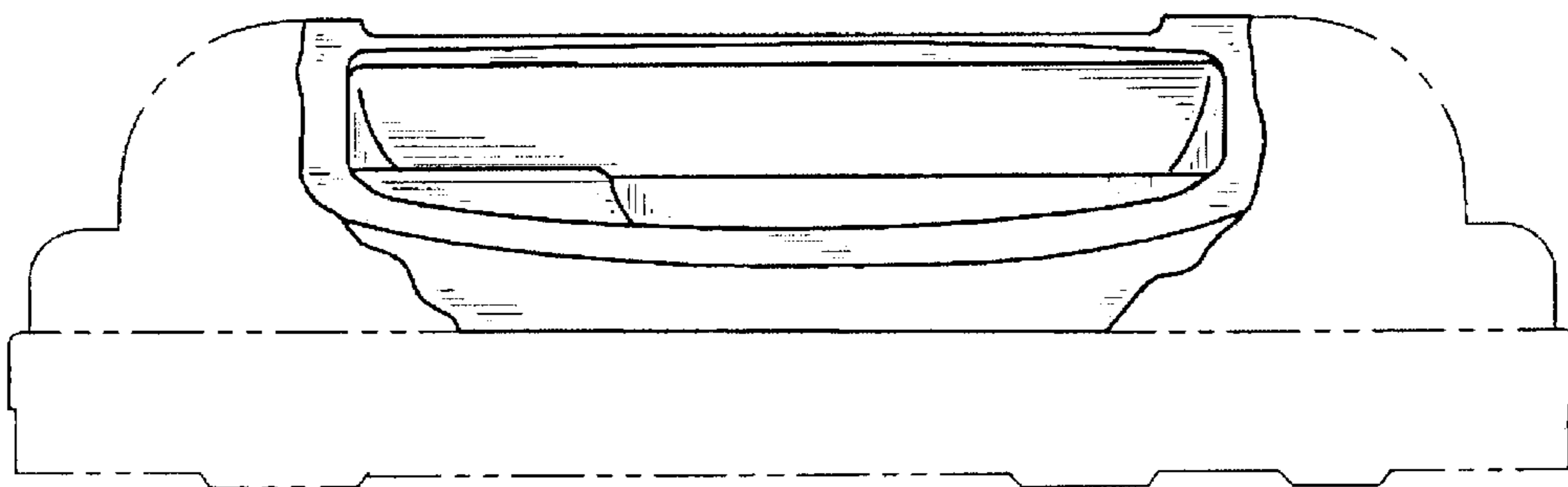


FIG. -2

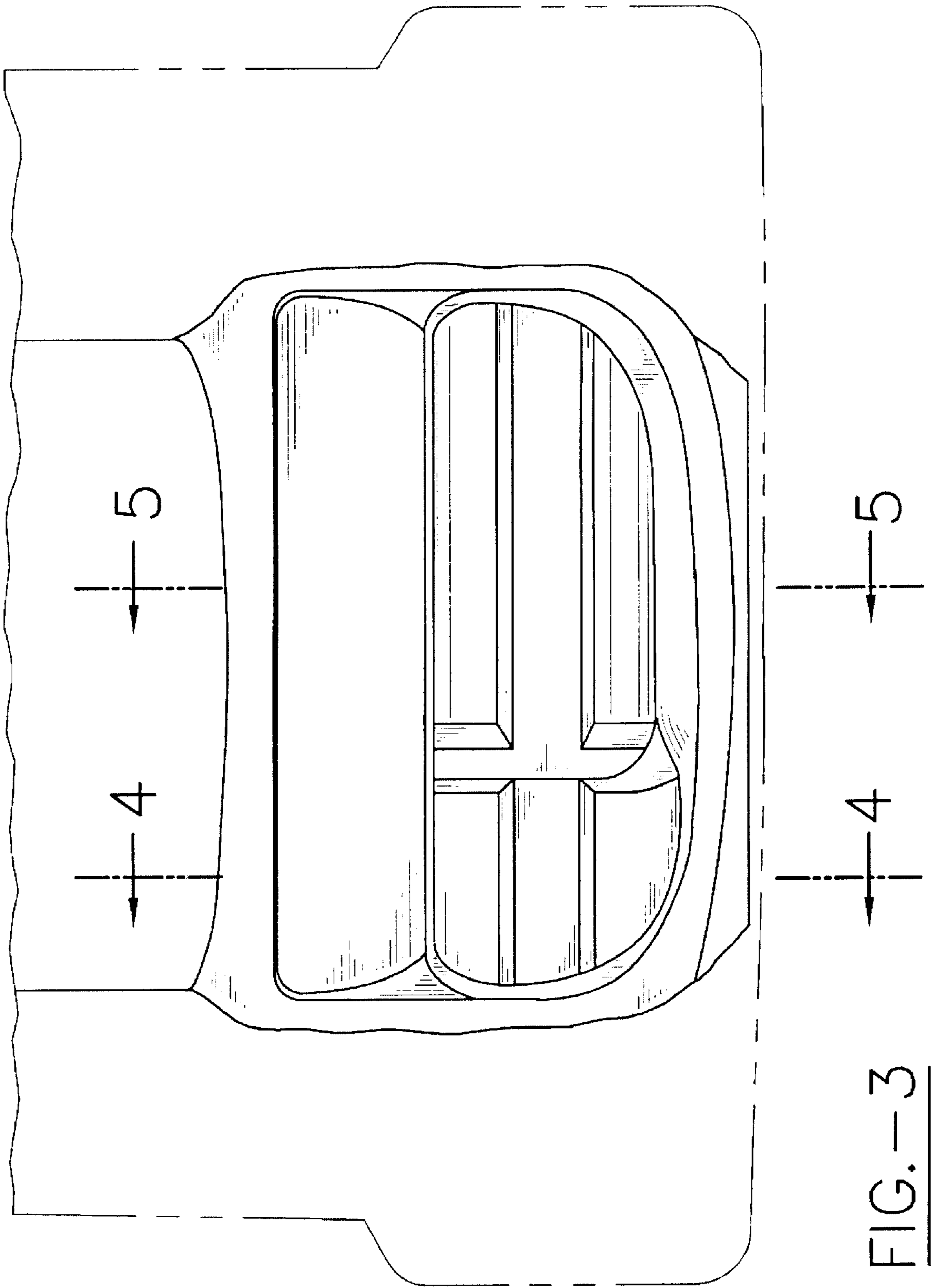


FIG. - 3

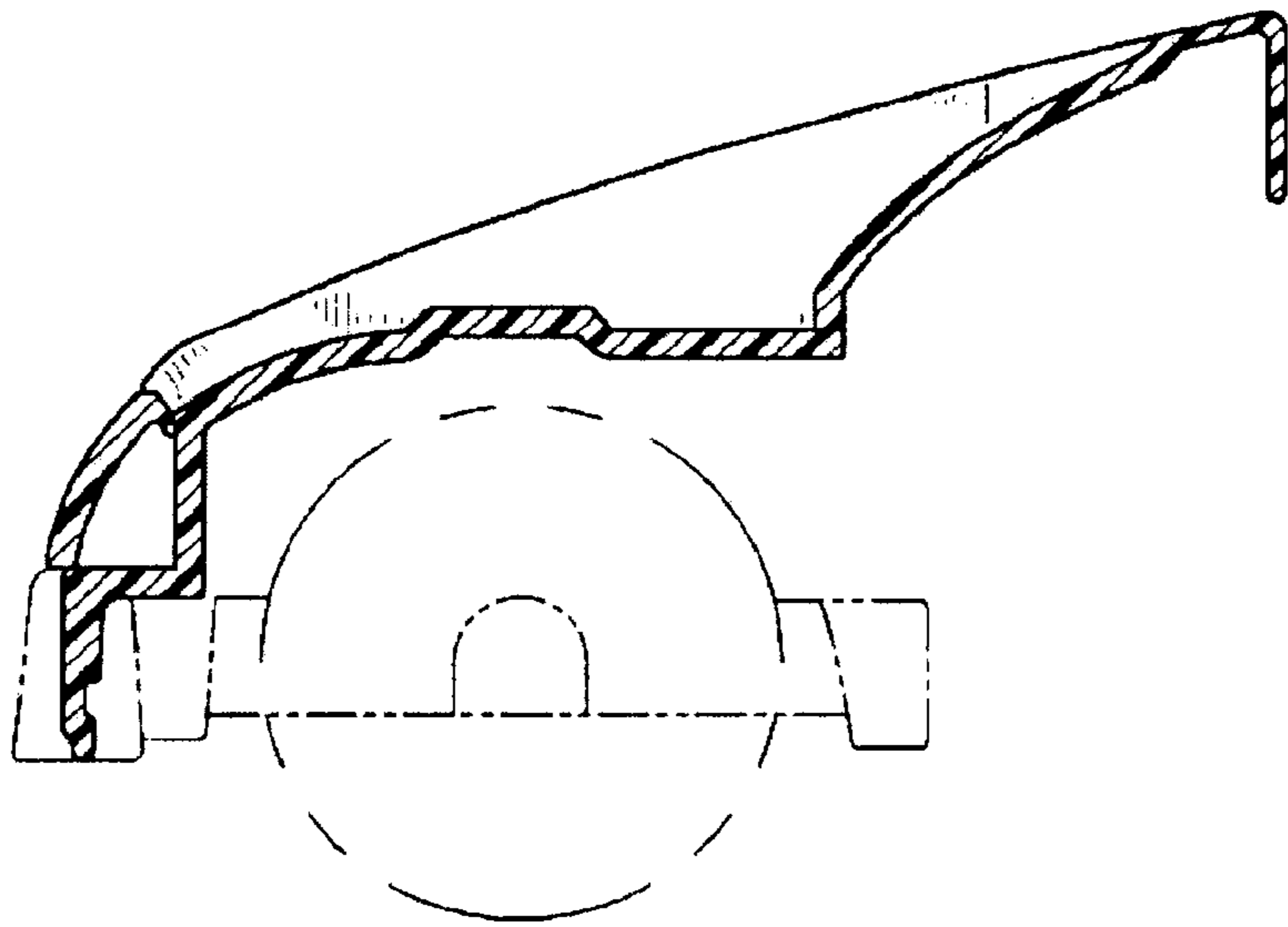


FIG. -4

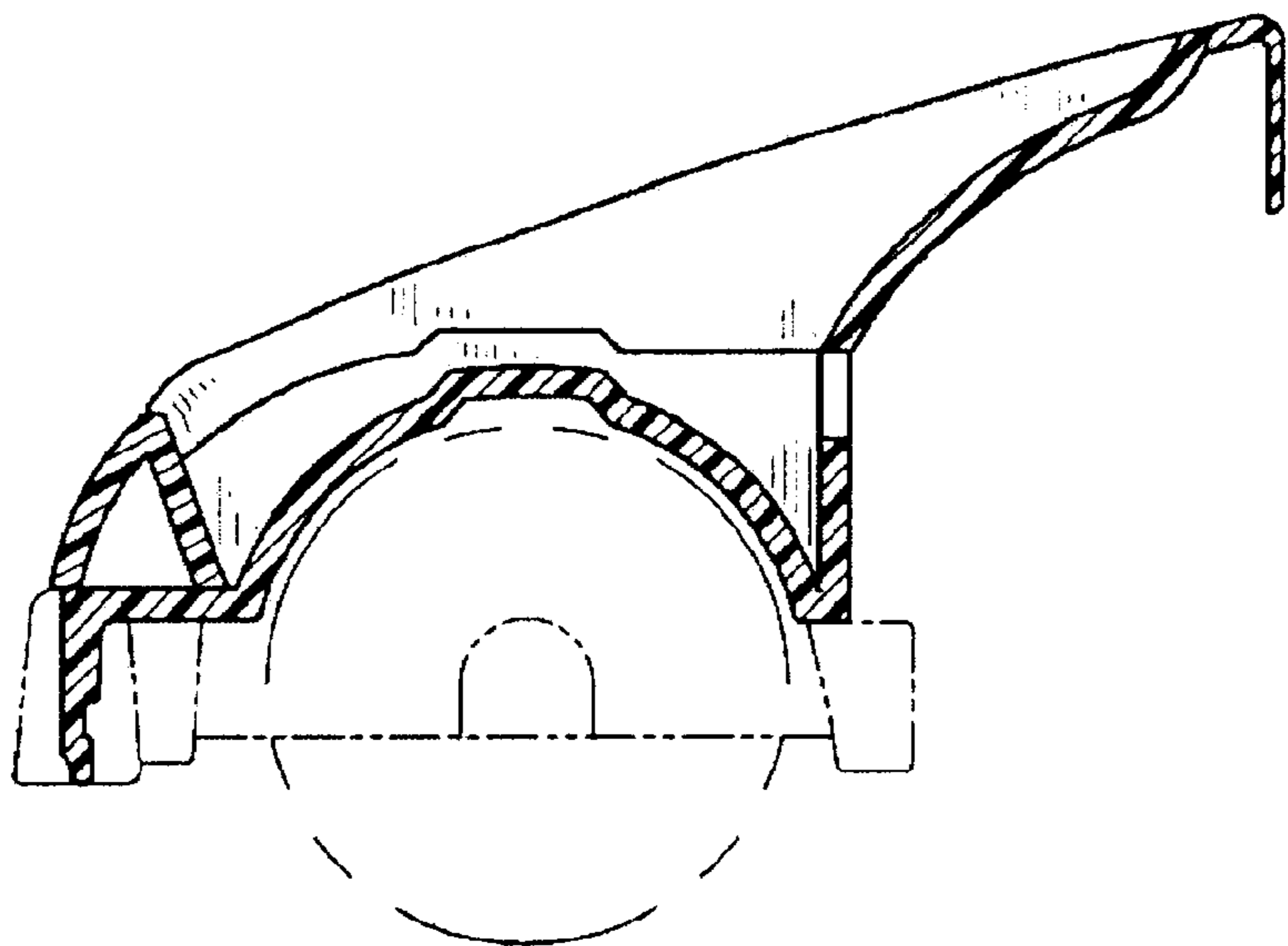


FIG. -5