



US00D461284S

(12) **United States Design Patent**
Hegeman et al.

(10) **Patent No.:** **US D461,284 S**

(45) **Date of Patent:** **** Aug. 6, 2002**

(54) **DISHWASHER LOWER SPRAY ARM**

5,803,985 A * 9/1998 Alvord 134/18

* cited by examiner

(75) Inventors: **Arjan Johannes Hegeman**, Pembroke,
NH (US); **Jennifer M. Adam**,
Louisville, KY (US)

Primary Examiner—Raphael Barkai

Assistant Examiner—C Tuttle

(73) Assignee: **General Electric Company**,
Schenectady, NY (US)

(74) *Attorney, Agent, or Firm*—George L. Rideout, Jr.;
Armstrong Teasdale LLP

(57) **CLAIM**

(**) Term: **14 Years**

The ornamental design for a dishwasher lower spray arm, as shown and described.

(21) Appl. No.: **29/145,454**

DESCRIPTION

(22) Filed: **Jul. 23, 2001**

FIG. 1 is a top perspective view of a dishwasher lower spray arm showing our new design;

(51) **LOC (7) Cl.** **15-05**

FIG. 2 is a top plan view of the dishwasher lower spray arm shown in FIG. 1;

(52) **U.S. Cl.** **D32/3**

(58) **Field of Search** D32/1-3, 25, 26;
134/176, 179, 187, 188; 239/246, 248,
251

FIG. 3 is a front elevation view of the dishwasher lower spray arm shown in FIG. 1;

FIG. 4 is a rear elevation view of the dishwasher lower spray arm shown in FIG. 1;

(56) **References Cited**

U.S. PATENT DOCUMENTS

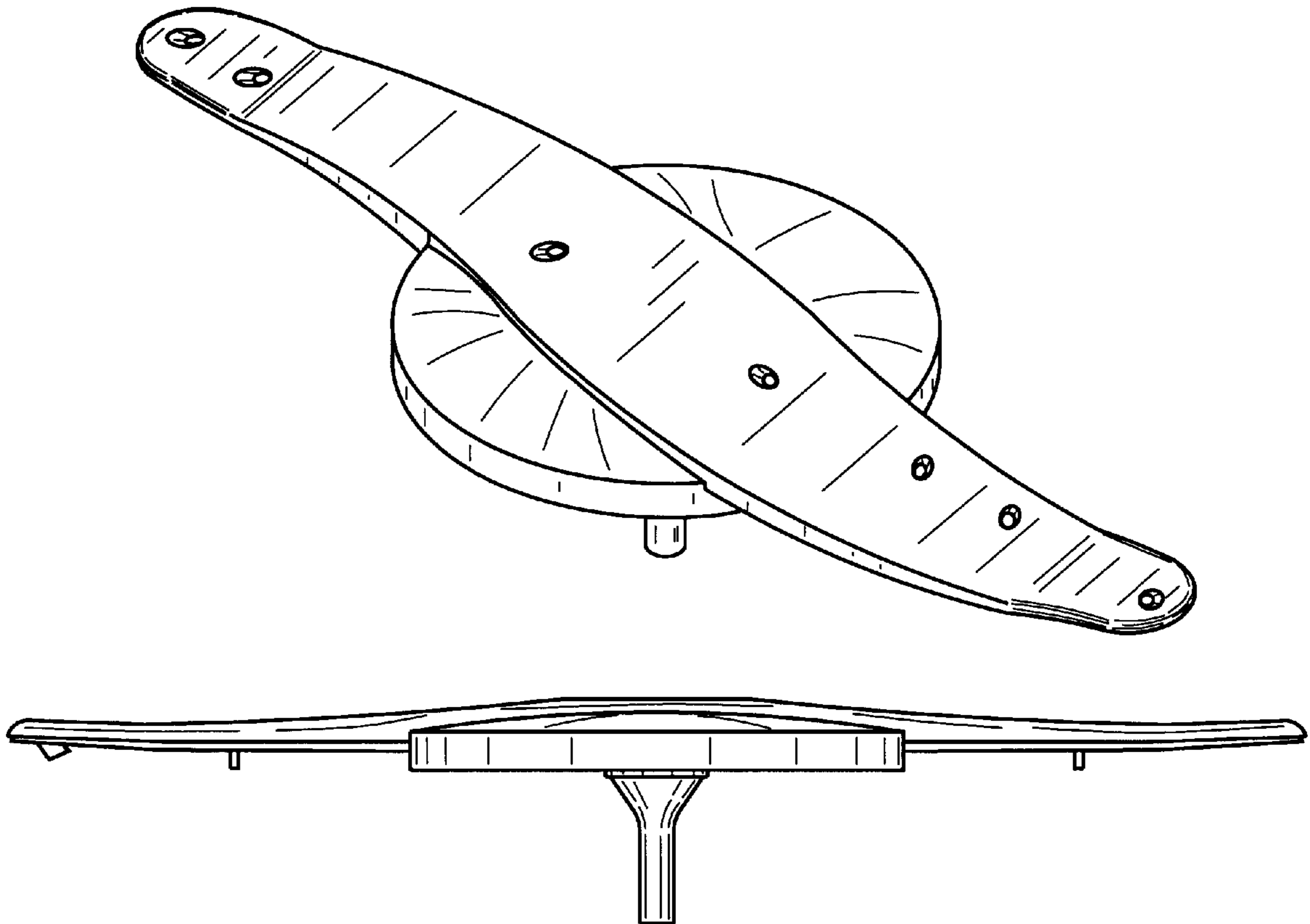
- 5,330,102 A * 7/1994 Jarvis, et al. 239/251 X
- 5,560,381 A * 10/1996 Edwards 134/176
- D376,451 S * 12/1996 Osborn D32/3
- 5,598,976 A * 2/1997 Jang et al. 239/246
- 5,743,281 A * 4/1998 Sargeant et al. 134/57 D

FIG. 5 is a left elevation view of the dishwasher lower spray arm shown in FIG. 1;

FIG. 6 is a right elevation view of the dishwasher lower spray arm shown in FIG. 1; and,

FIG. 7 is a bottom plan view of the dishwasher lower spray arm shown in FIG. 1.

1 Claim, 4 Drawing Sheets



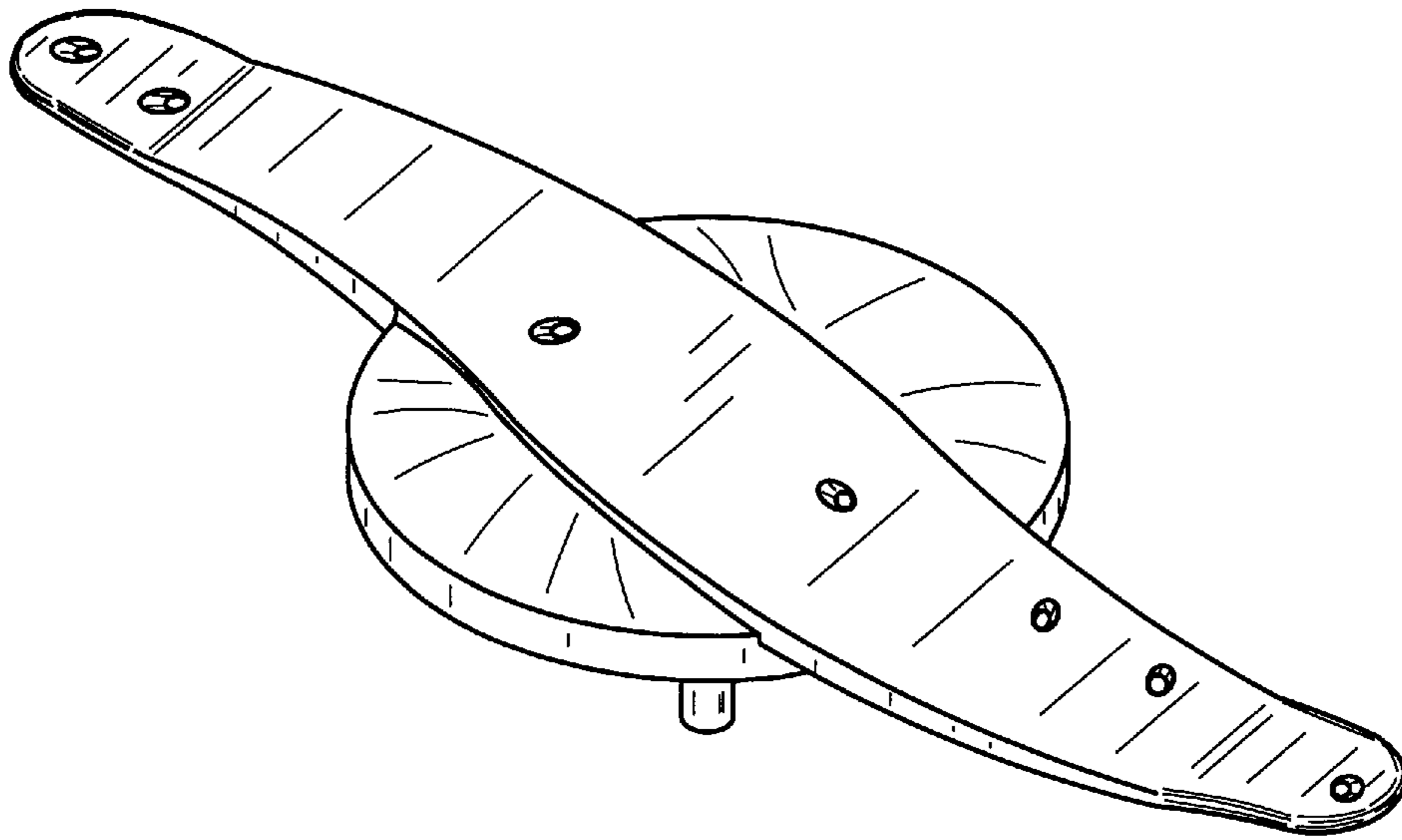


FIG. 1

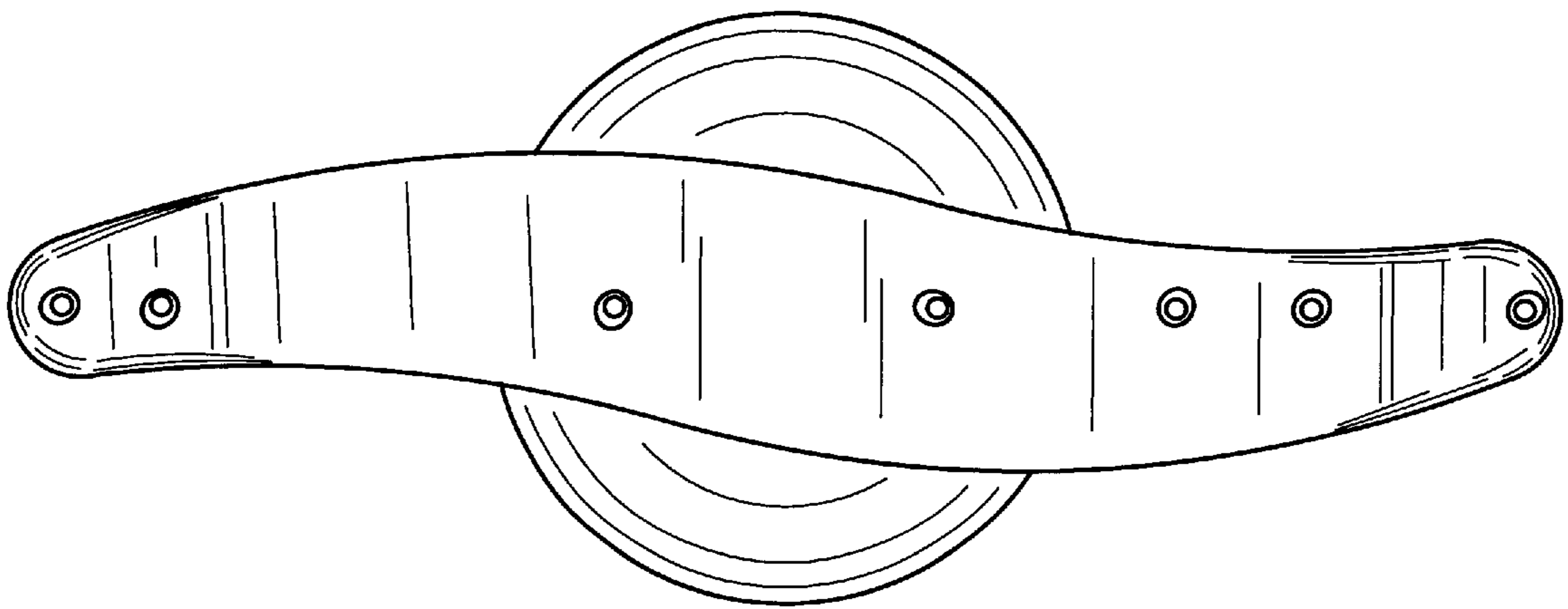


FIG. 2

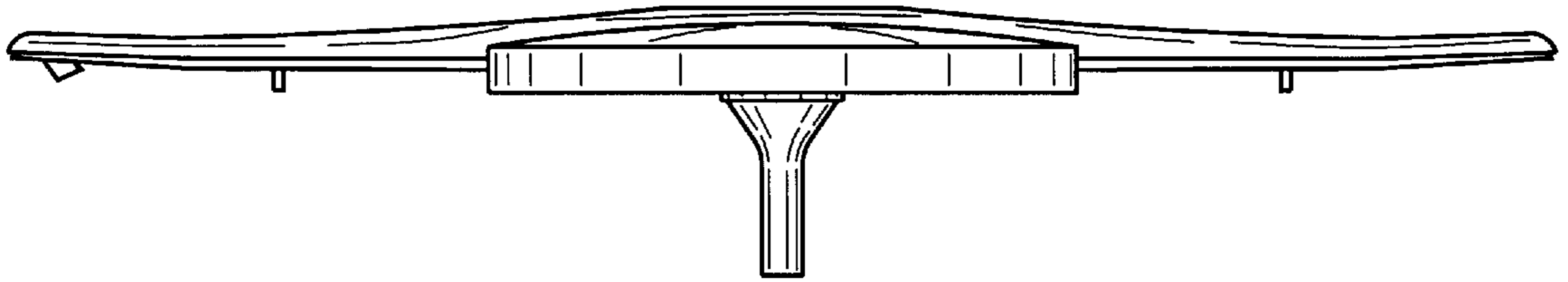


FIG. 3

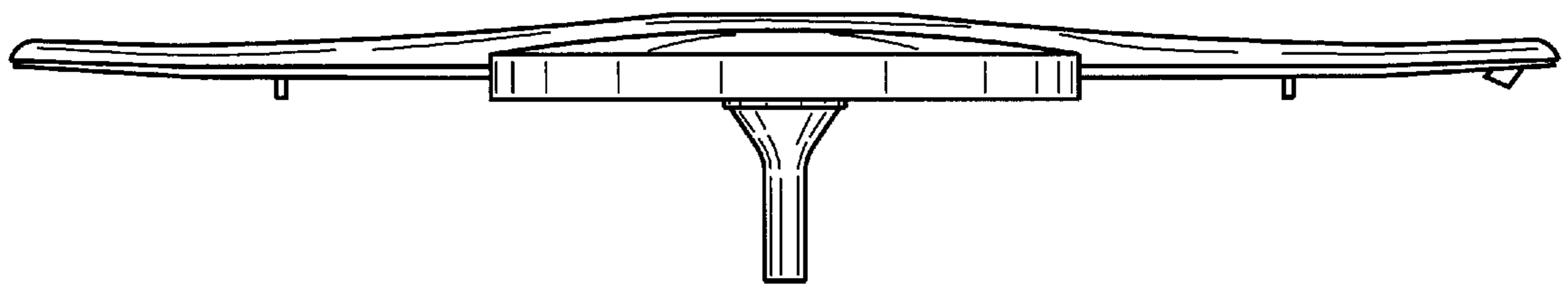


FIG. 4

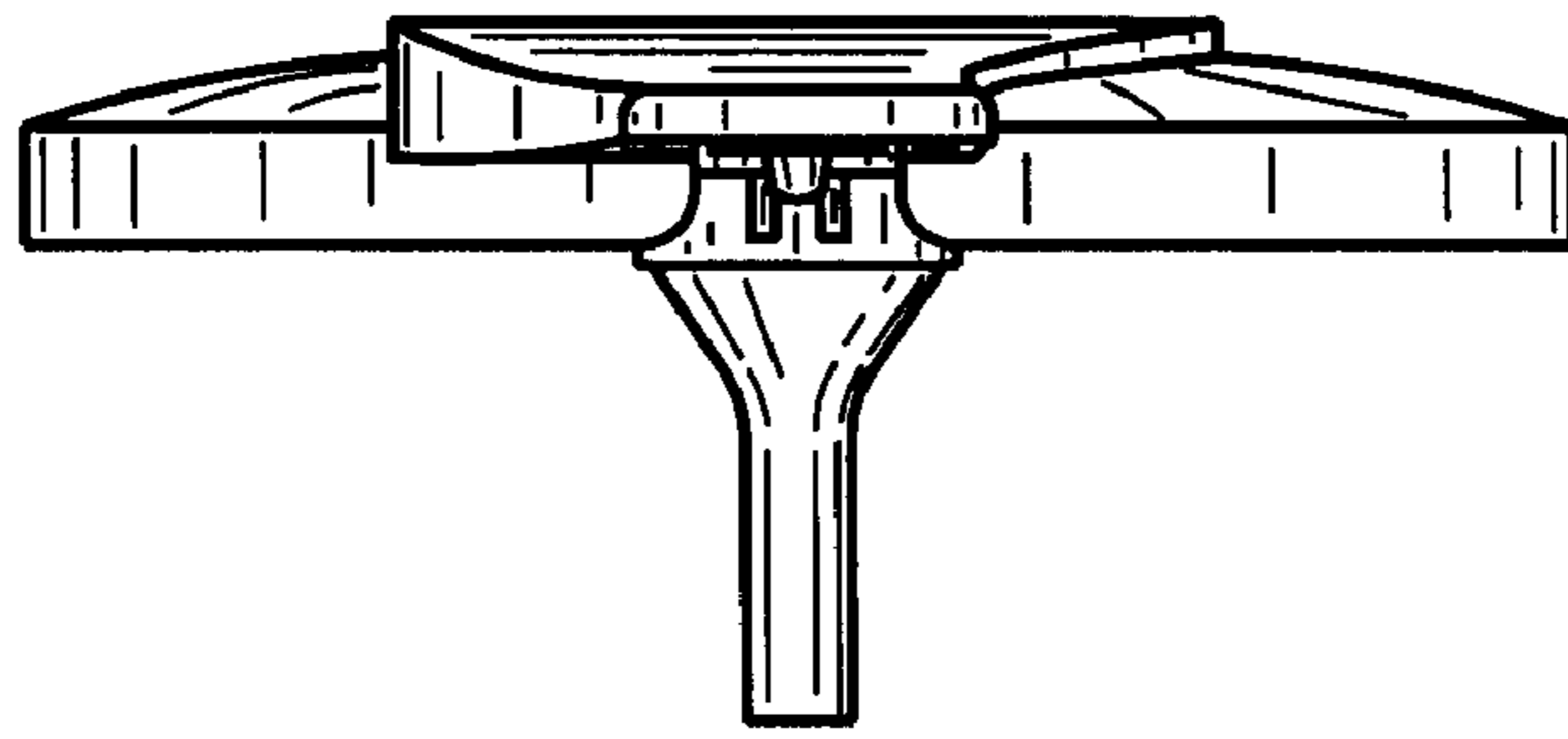


FIG. 5

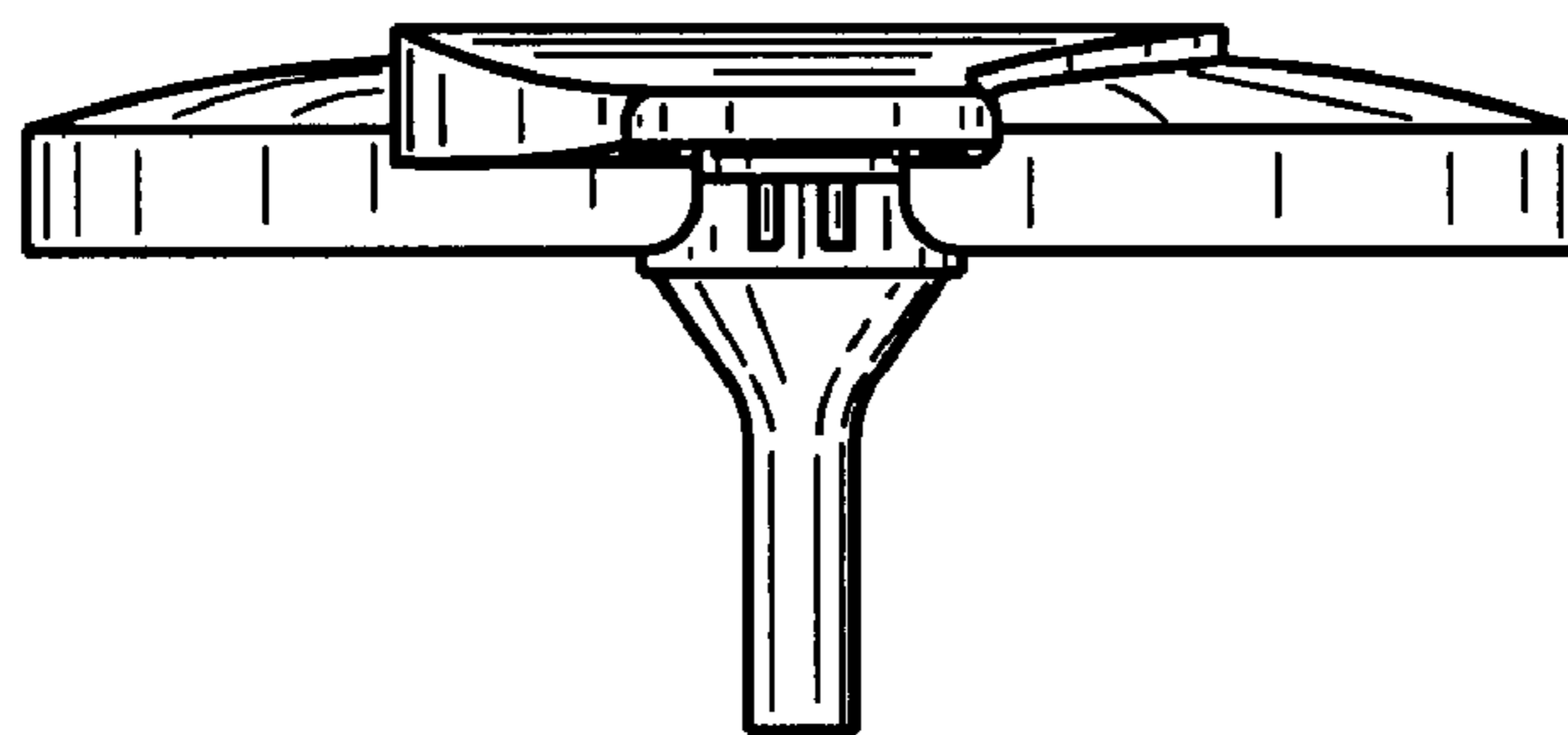


FIG. 6

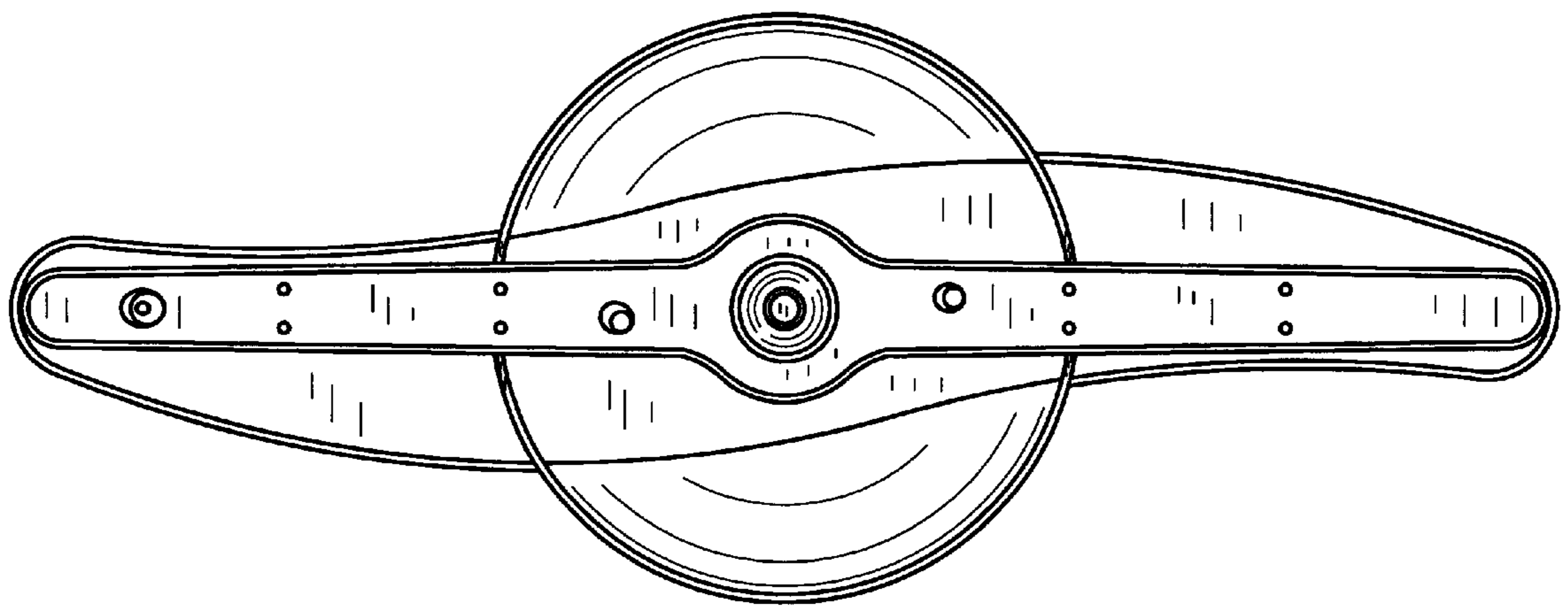


FIG. 7