



US00D461281S

(12) **United States Design Patent**  
**Lee**

(10) **Patent No.:** **US D461,281 S**

(45) **Date of Patent:** **\*\* Aug. 6, 2002**

(54) **COMB**

(76) **Inventor:** **Youth Lee**, 8F-1, No. 69, Sec. 1,  
Hang-Chou S. Road, Wen-Pei Li,  
Chung-Cheng Area, Taipei City (TW)

(\*\*) **Term:** **14 Years**

(21) **Appl. No.:** **29/154,081**

(22) **Filed:** **Jan. 16, 2002**

(51) **LOC (7) Cl.** ..... **28-03**

(52) **U.S. Cl.** ..... **D28/24; D28/25; D28/30**

(58) **Field of Search** ..... **D28/24, 30, 21,**  
**D28/25, 53, 15; 132/119.1, 150, 112-116,**  
**118, 110; 34/101**

(56) **References Cited**

**U.S. PATENT DOCUMENTS**

1,197,872 A \* 9/1916 Taylor ..... 132/150  
2,603,223 A \* 7/1952 Jefferson ..... 132/150

D226,877 S \* 5/1973 Tucker ..... D28/24  
D263,001 S \* 2/1982 Wistrand ..... D28/25  
D284,412 S \* 6/1986 O'Connor et al. .... D28/25  
5,915,391 A \* 6/1999 Revil ..... 132/119.1

\* cited by examiner

*Primary Examiner*—Lucy Lieberman

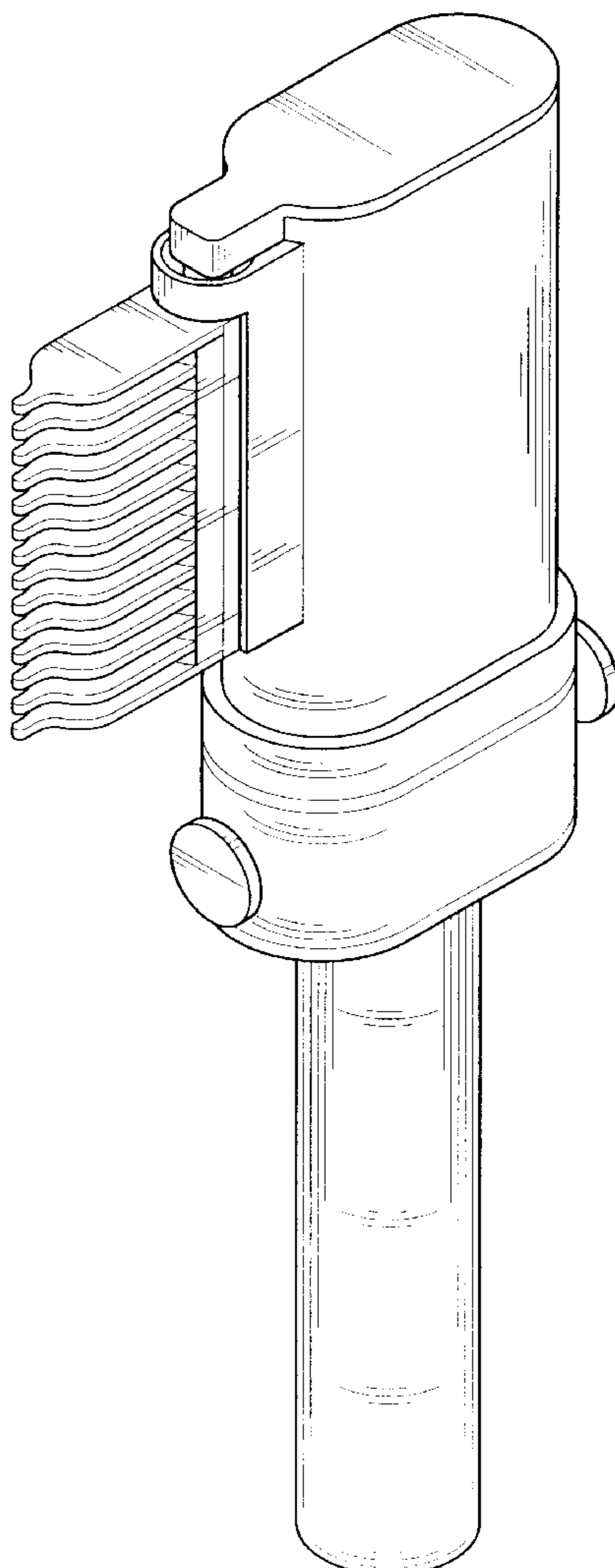
(57) **CLAIM**

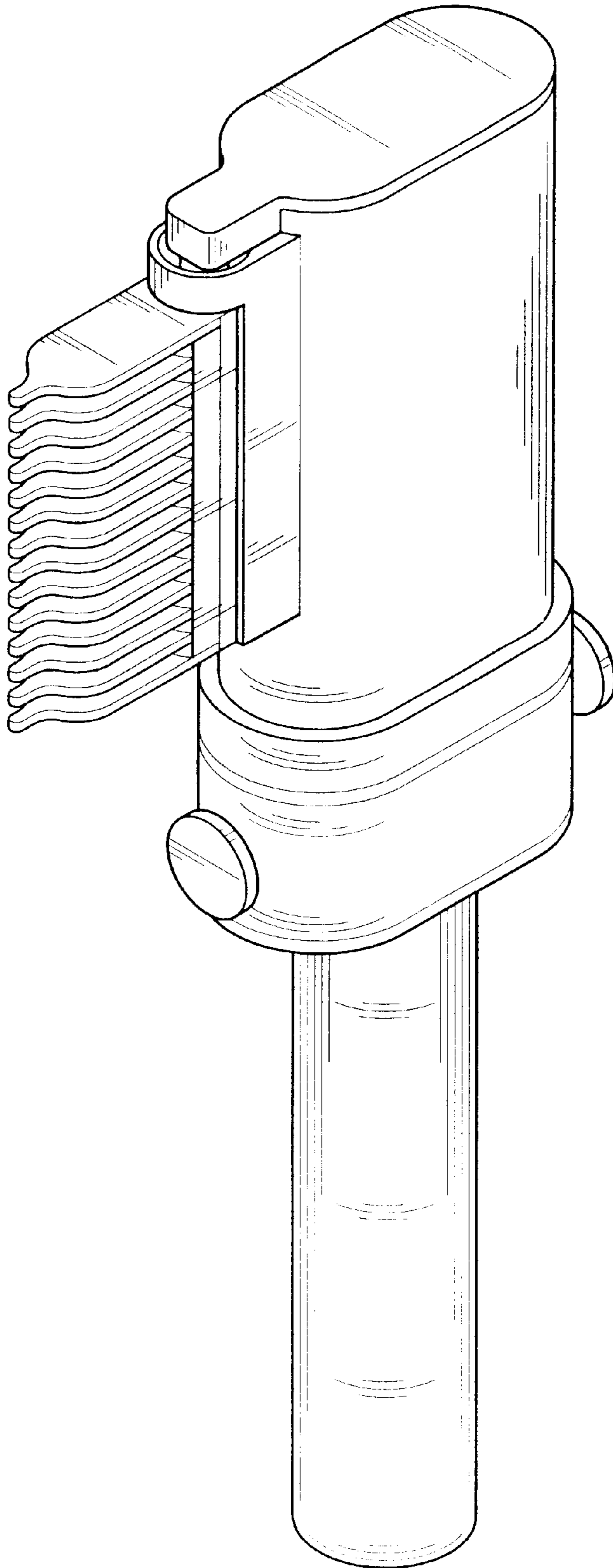
The ornamental design for a comb, as shown and described.

**DESCRIPTION**

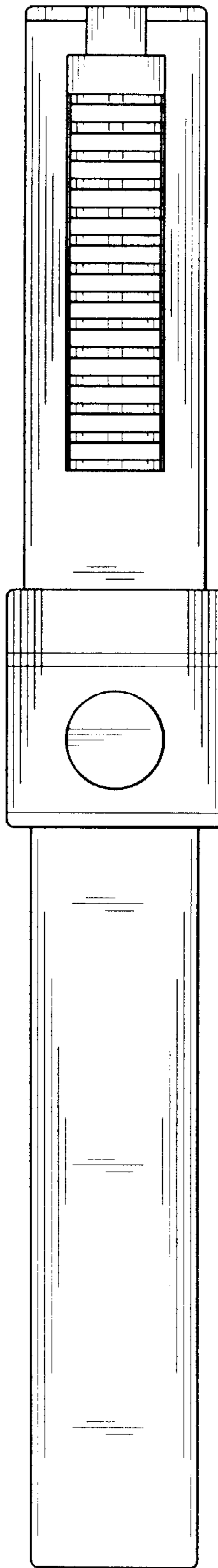
FIG. 1 is a perspective view of a comb showing my new design;  
FIG. 2 is a front elevational view thereof;  
FIG. 3 is a rear elevational view thereof;  
FIG. 4 is a left side elevational view thereof;  
FIG. 5 is right side elevational view thereof;  
FIG. 6 is a top view thereof; and,  
FIG. 7 is a bottom view thereof.

**1 Claim, 7 Drawing Sheets**

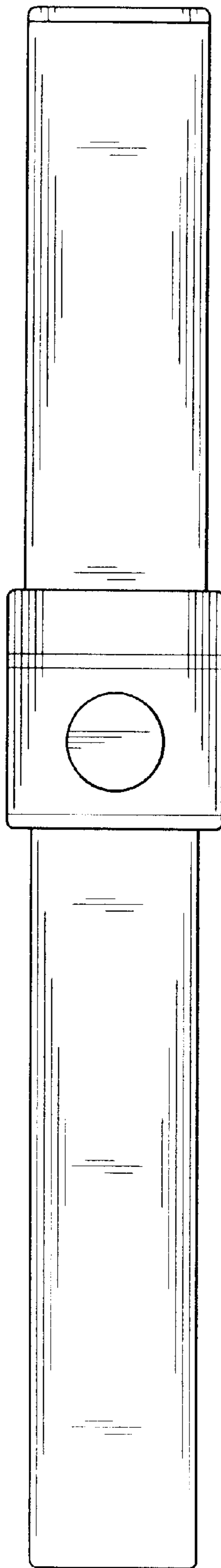




**FIG. 1**



**FIG. 2**



**FIG. 3**

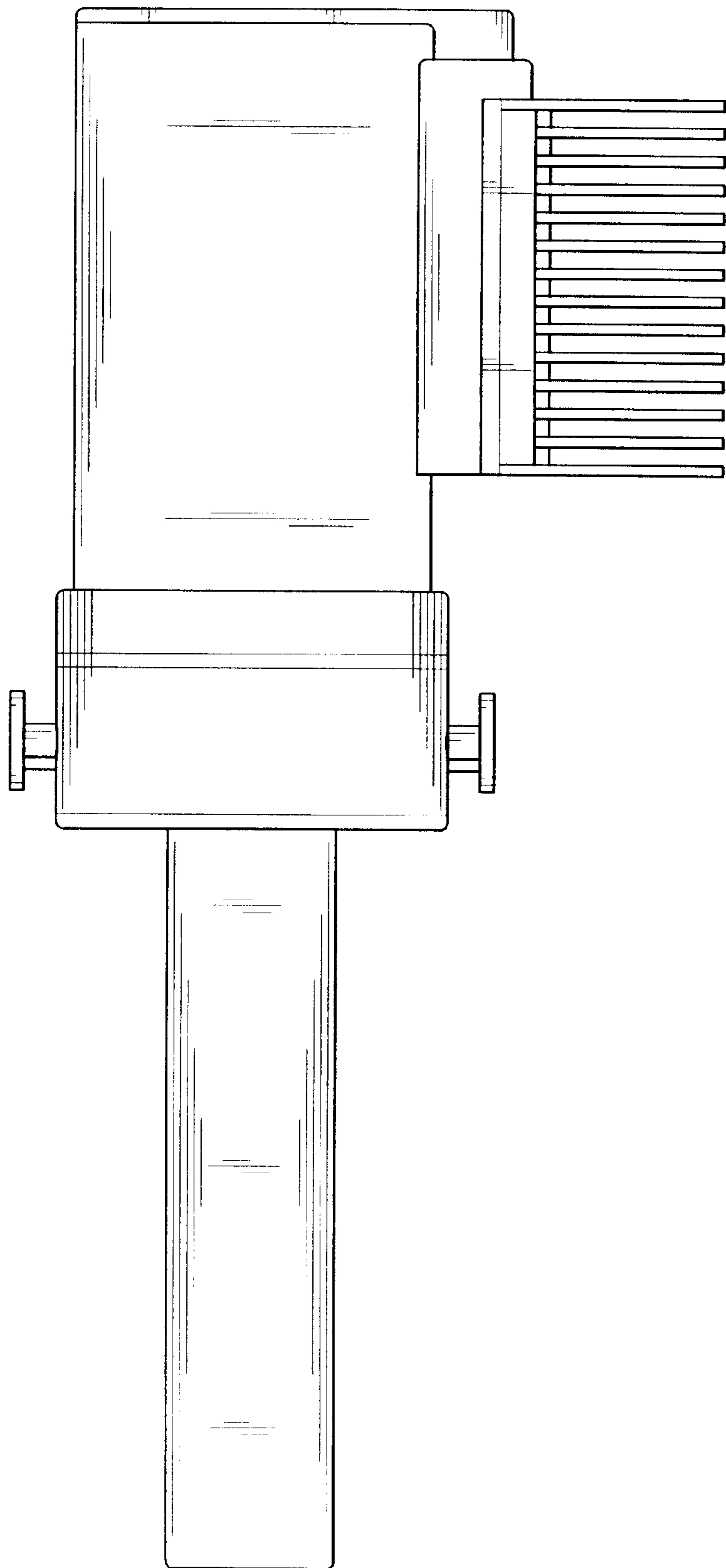
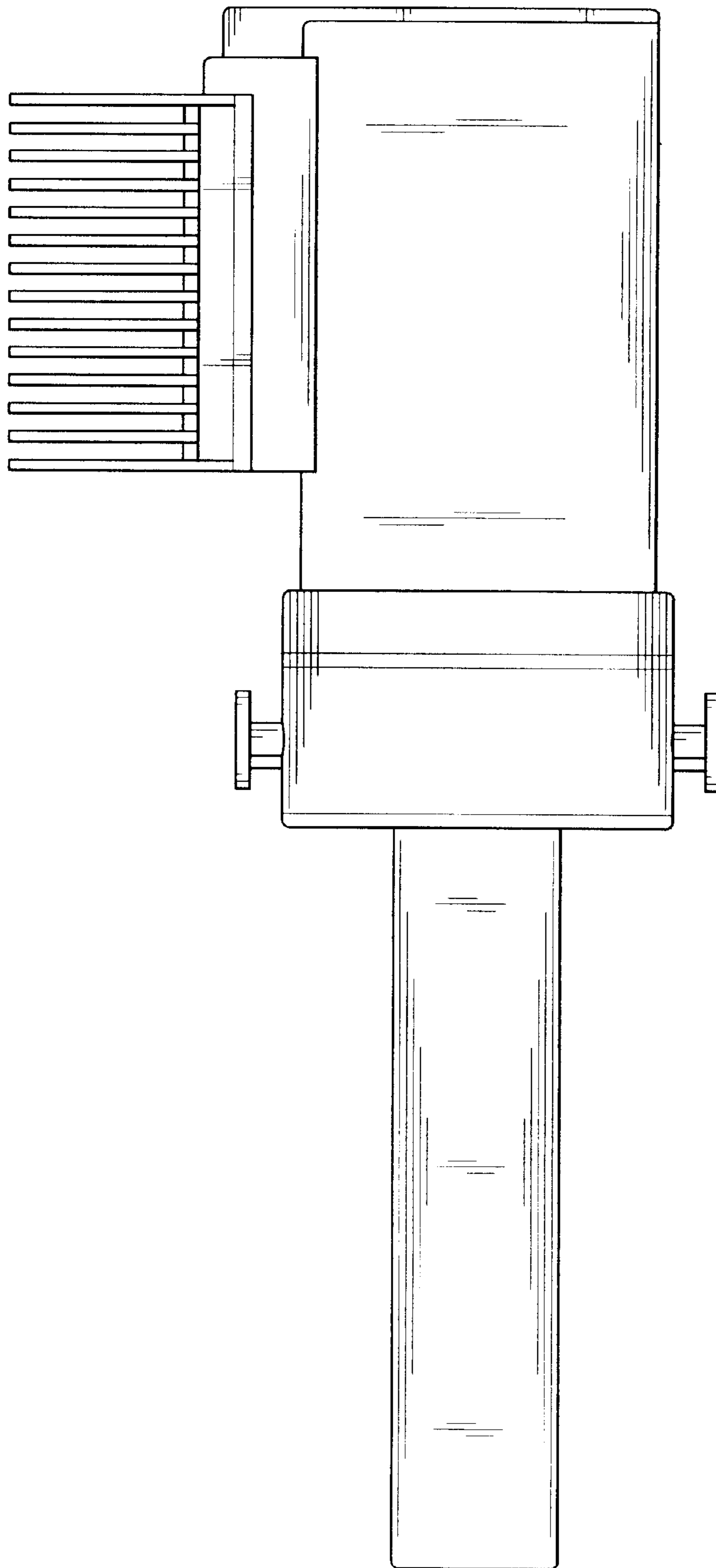
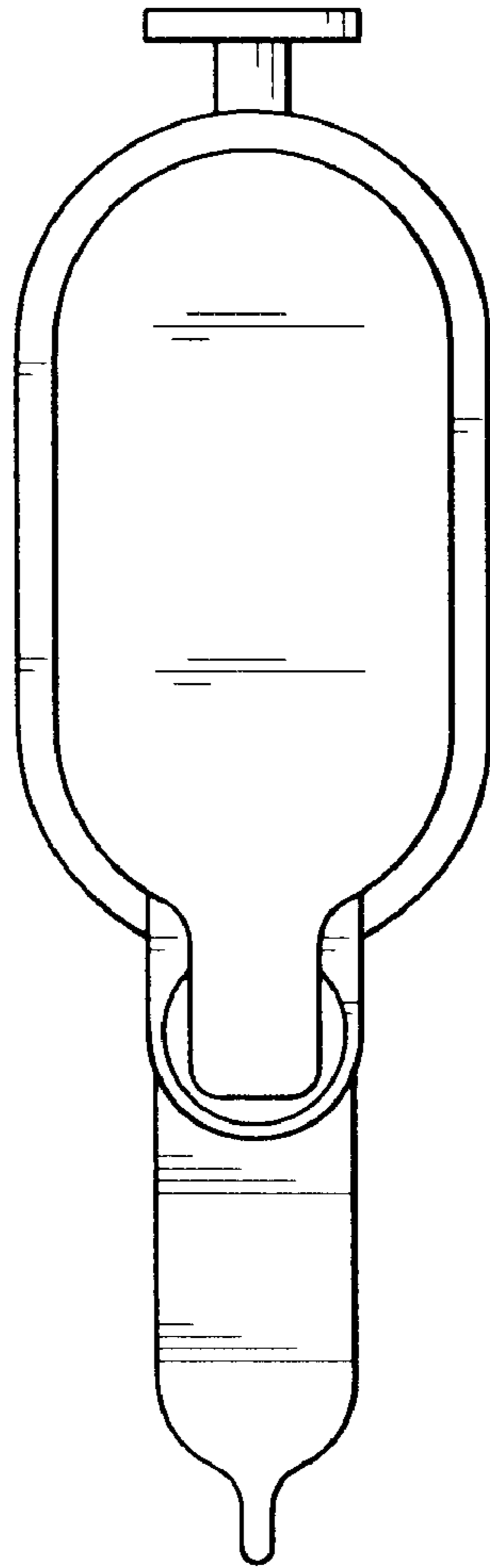


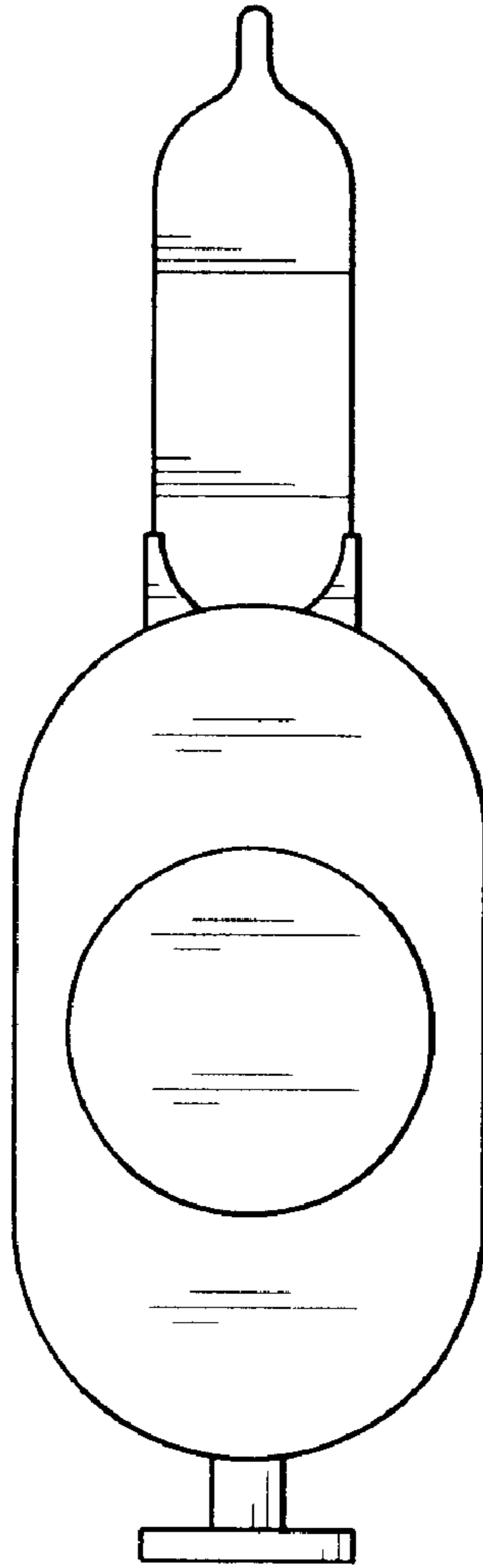
FIG. 4



**FIG. 5**



**FIG. 6**



**FIG. 7**