



US00D461279S

(12) **United States Design Patent**
Angeletta

(10) **Patent No.:** **US D461,279 S**

(45) **Date of Patent:** **** Aug. 6, 2002**

(54) **LIQUID AND LOTION APPLICATOR**

(76) **Inventor:** **Joseph G. Angeletta**, 418 Fifth St.,
Mamaroneck, NY (US) 10543

(**) **Term:** **14 Years**

(21) **Appl. No.:** **29/151,794**

(22) **Filed:** **Dec. 7, 2001**

Related U.S. Application Data

(62) Division of application No. 29/141,268, filed on May 2,
2001.

(51) **LOC (7) Cl.** **28-02**

(52) **U.S. Cl.** **D28/7**

(58) **Field of Search** D28/7, 63; D9/338;
D24/119; D4/114, 127, 137, 138, 124, 125;
D32/40, 43, 45, 51; 132/320; 15/104.94,
244.1, 244.2, 205.2; 401/138, 139, 196,
197, 198, 202-207, 263-266, 268, 270-275;
D19/70, 71

(56) **References Cited**

U.S. PATENT DOCUMENTS

D214,387 S * 6/1969 Holt, Jr. D4/114

5,322,382 A	*	6/1994	Hull et al.	401/202
D357,810 S	*	5/1995	Evans	D4/114
5,454,659 A	*	10/1995	Vosbikian et al.	401/207
D384,436 S	*	9/1997	Kelley	D28/7
5,931,591 A	*	8/1999	McCracken	401/205
D417,033 S	*	11/1999	Sachs et al.	D28/7
D434,525 S	*	11/2000	Angeletta	D28/7
D438,671 S	*	3/2001	Angeletta	D28/7
D445,954 S	*	7/2001	Angeletta	D28/7

* cited by examiner

Primary Examiner—Lucy Lieberman

(74) *Attorney, Agent, or Firm*—Scully, Scott, Murphy &
Presser

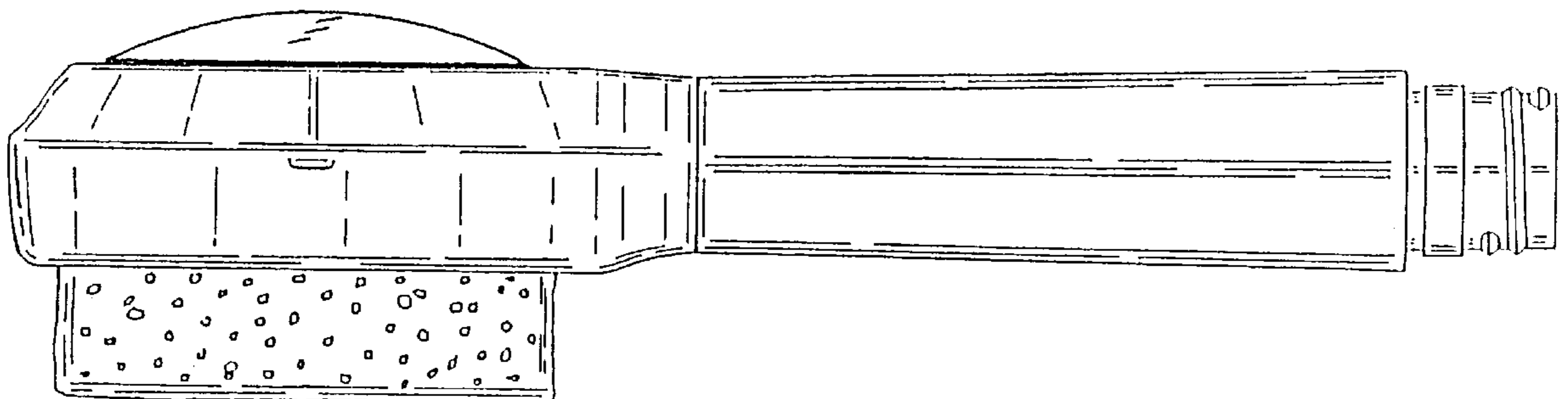
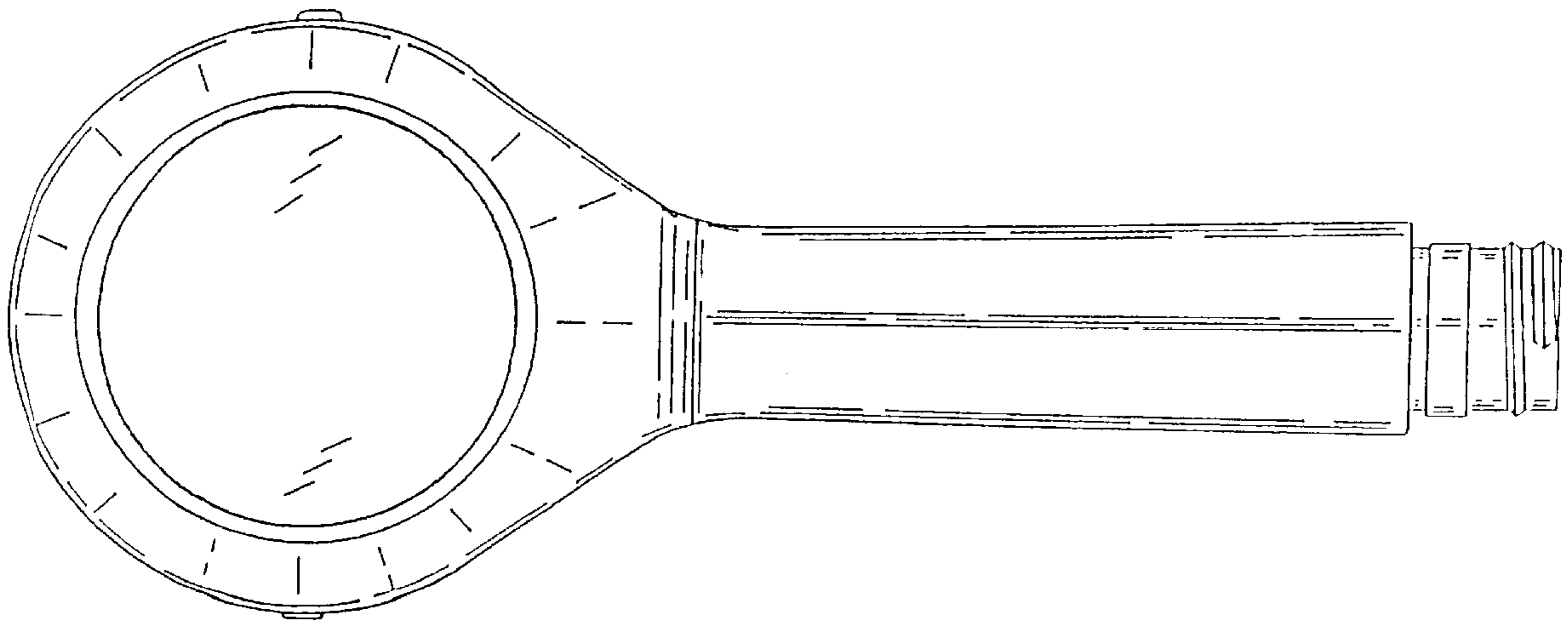
(57) **CLAIM**

The ornamental design for a liquid and lotion applicator, as
shown and described.

DESCRIPTION

FIG. 1 is a top plan view of a liquid and lotion applicator
showing my new design;
FIG. 2 is a side elevation of the liquid and lotion applicator,
the opposite side being a mirror image thereto except for the
continuous screw threading on the neck; and,
FIG. 3 is a bottom plan view.

1 Claim, 2 Drawing Sheets



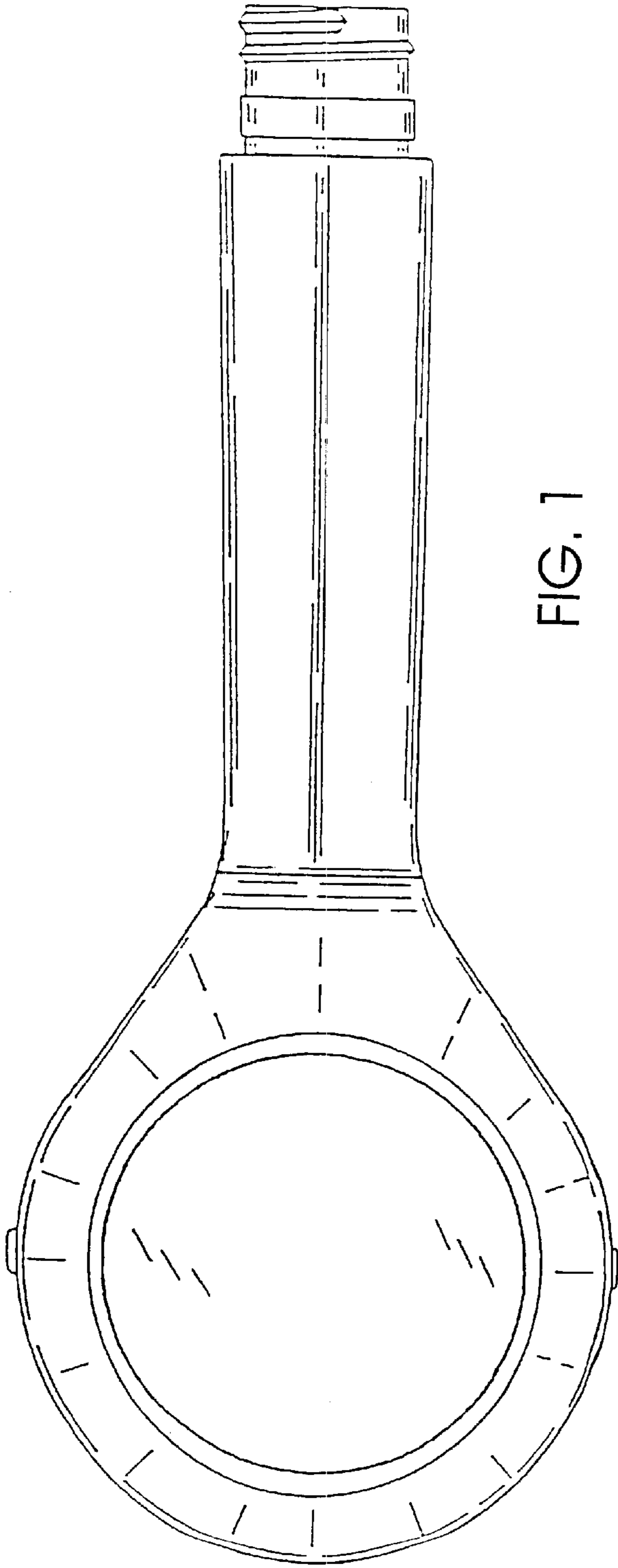


FIG. 1

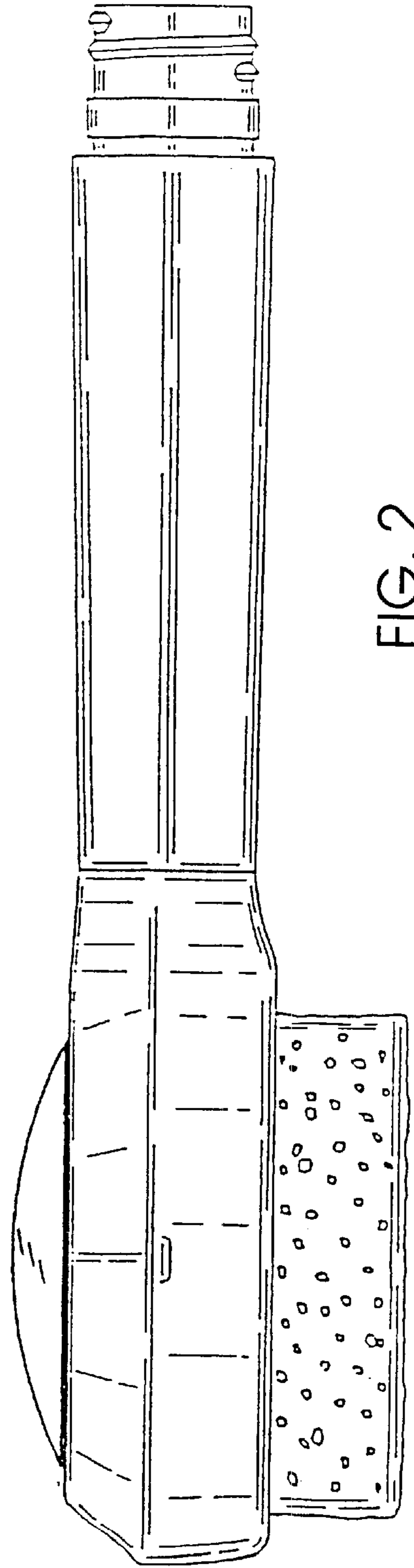


FIG. 2

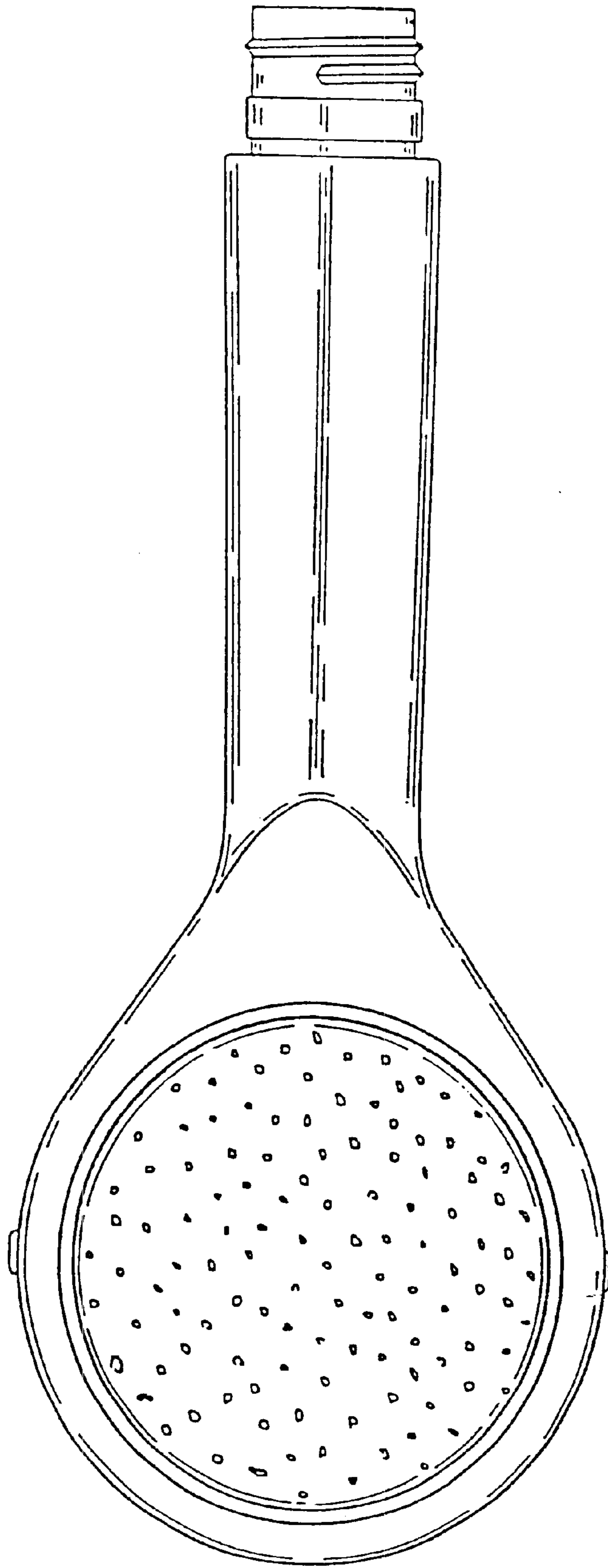


FIG. 3