



US00D461274S

(12) **United States Design Patent** (10) **Patent No.:** **US D461,274 S**
De'Armond (45) **Date of Patent:** **** Aug. 6, 2002**

(54) **LAMP SUPPORT ARM AND HANGING RODS UNIT**

(75) Inventor: **Robert De'Armond**, Temecula, CA (US)

(73) Assignee: **Minka Lighting, Inc.**, Corona, CA (US)

(**) Term: **14 Years**

(21) Appl. No.: **29/148,527**

(22) Filed: **Sep. 20, 2001**

(51) **LOC (7) Cl.** **26-99**

(52) **U.S. Cl.** **D26/142; D26/155**

(58) **Field of Search** D26/113, 92, 138, D26/141, 142, 145-151, 155, 84, 88; 362/147, 432, 404-409

(56) **References Cited**

U.S. PATENT DOCUMENTS

| | | | | | |
|------------|---|---------|----------------|-------|---------|
| D47,920 S | * | 10/1915 | Jones | | D26/145 |
| D403,459 S | * | 12/1998 | Dolan | | D26/88 |
| D431,089 S | * | 9/2000 | Dolan | | D26/142 |
| D447,595 S | * | 9/2001 | Bandini | | D26/155 |
| D453,393 S | * | 2/2002 | Johnson et al. | | D26/155 |

OTHER PUBLICATIONS

U.S. patent application Ser. No. 29/148,517, De'Armond, filed Sep. 20, 2001.

U.S. patent application Ser. No. 29/148,515, De'Armond, filed Sep. 20, 2001.

U.S. patent application Ser. No. 29/148,516, De'Armond, filed Sep. 20, 2001.

Minka Lighting, Inc.; The Great Outdoors by Minka-Lavery Two Thousand One; Jun. 18, 2001; pp. 28, 29; Minka Lighting, Inc.; U.S.A.

* cited by examiner

Primary Examiner—Jennifer Rivard

(74) *Attorney, Agent, or Firm*—Jenkins & Gilchrist, P.C.

(57) **CLAIM**

The ornamental design for the lamp support arm and hanging rods unit, as shown and described.

DESCRIPTION

FIG. 1 is a side elevation view of the lamp support arm and hanging rods unit in accordance with my design, illustrating a lamp and a backplate as possible environments for the lamp support arm and hanging rods unit;

FIG. 2 is a side elevation view of the lamp support arm and hanging rods unit in accordance with my design;

FIG. 3 is a bottom plan view of the lamp support arm and hanging rods unit in accordance with my design;

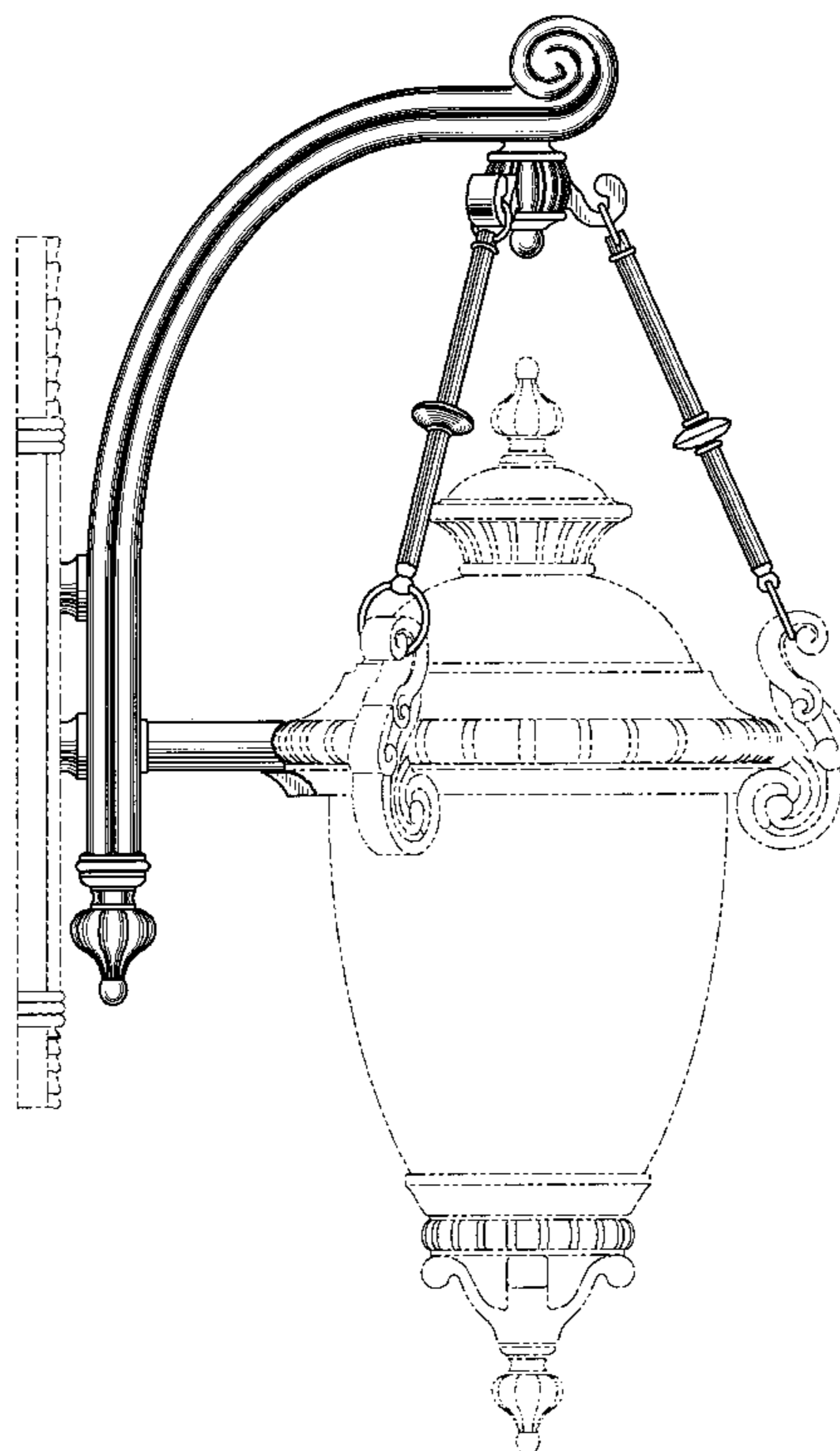
FIG. 4 is a top plan view of the lamp support arm and hanging rods unit in accordance with my design;

FIG. 5 is a front elevation view of the lamp support arm and hanging rods unit in accordance with my design; and,

FIG. 6 is a rear elevation view of the lamp support arm and hanging rods unit in accordance with my design.

The right and left elevation views are symmetrical. The broken lines showing environmental structure are for illustrative purposes only and form no part of the claimed design.

1 Claim, 3 Drawing Sheets



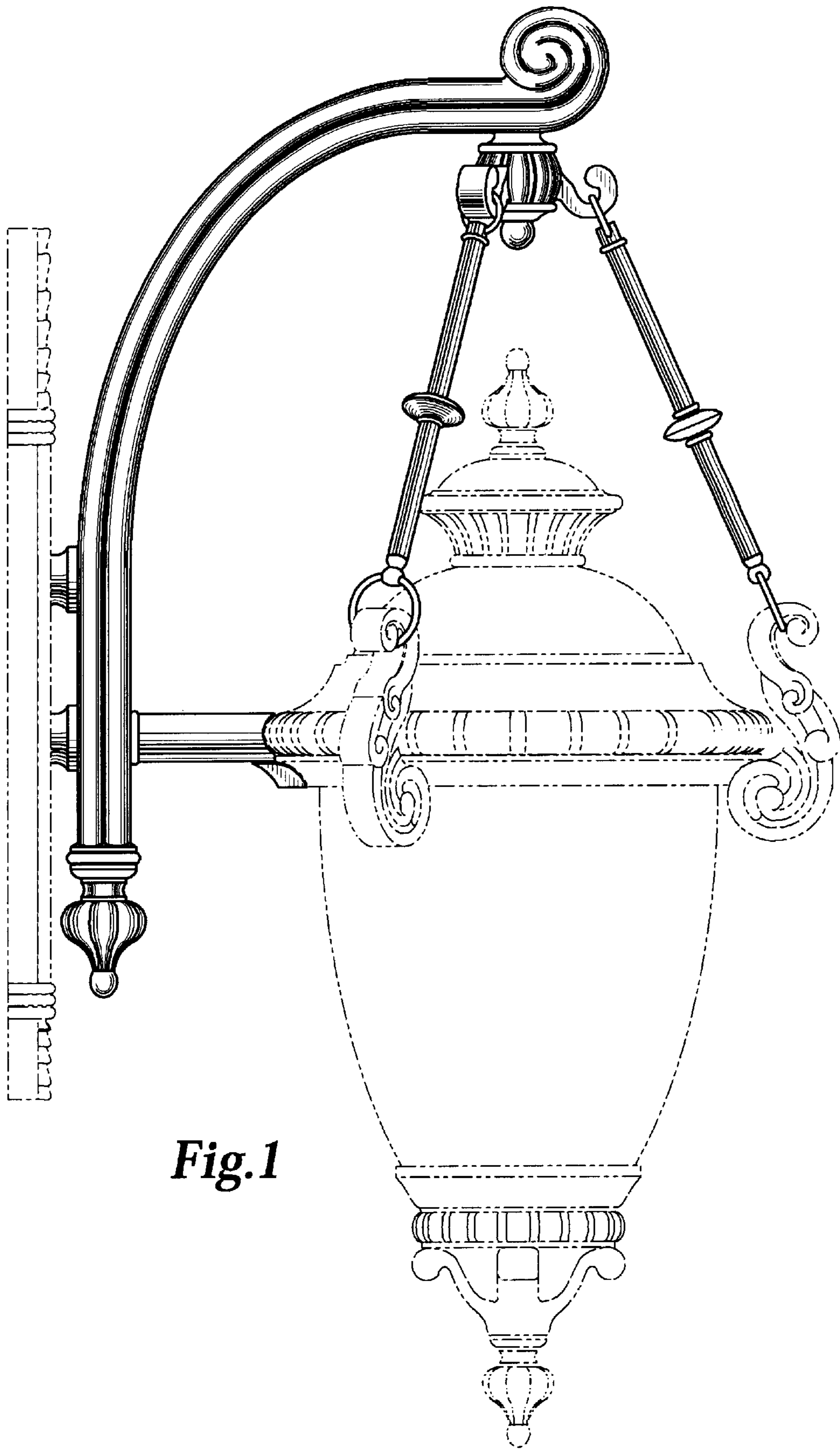


Fig. 1

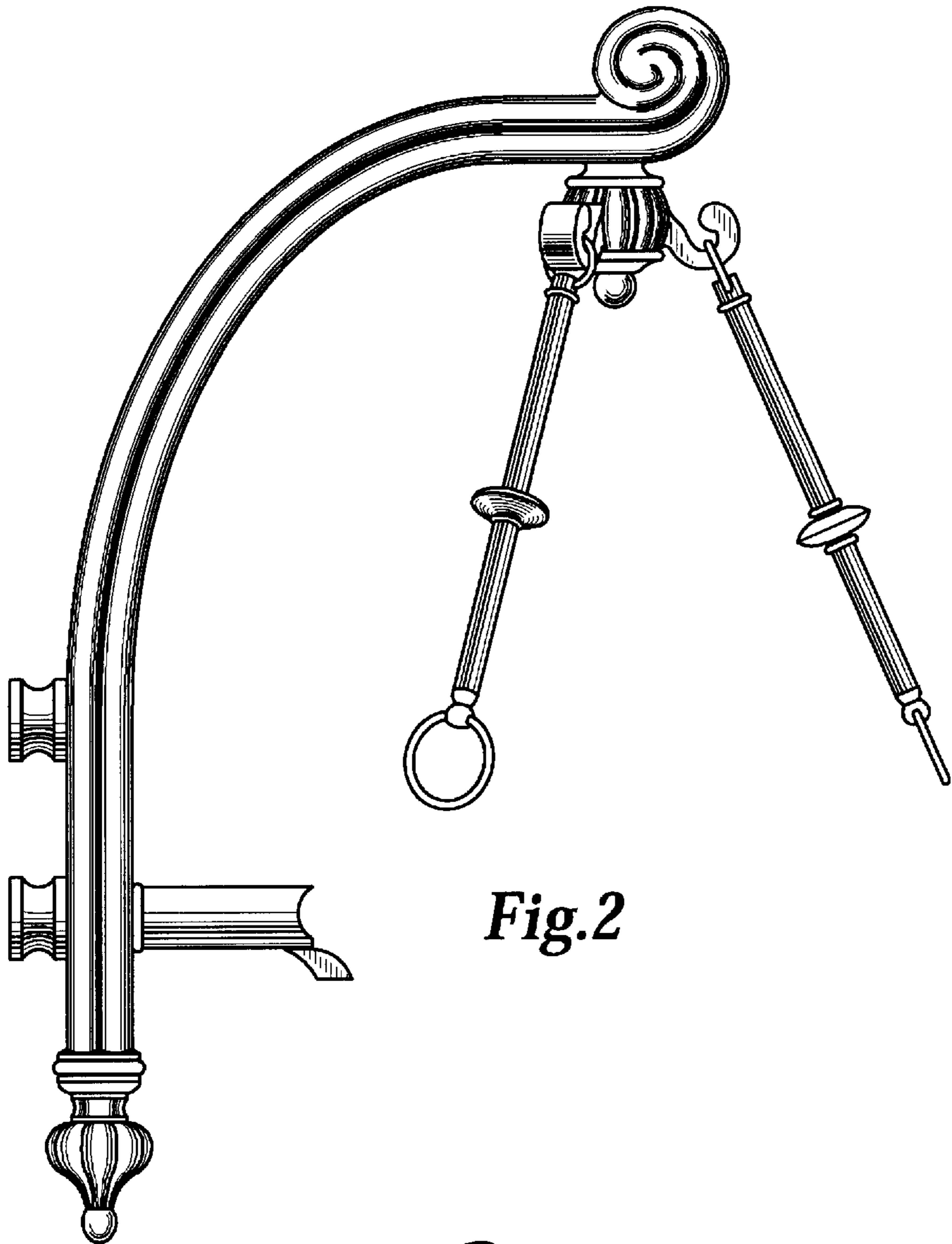


Fig. 2

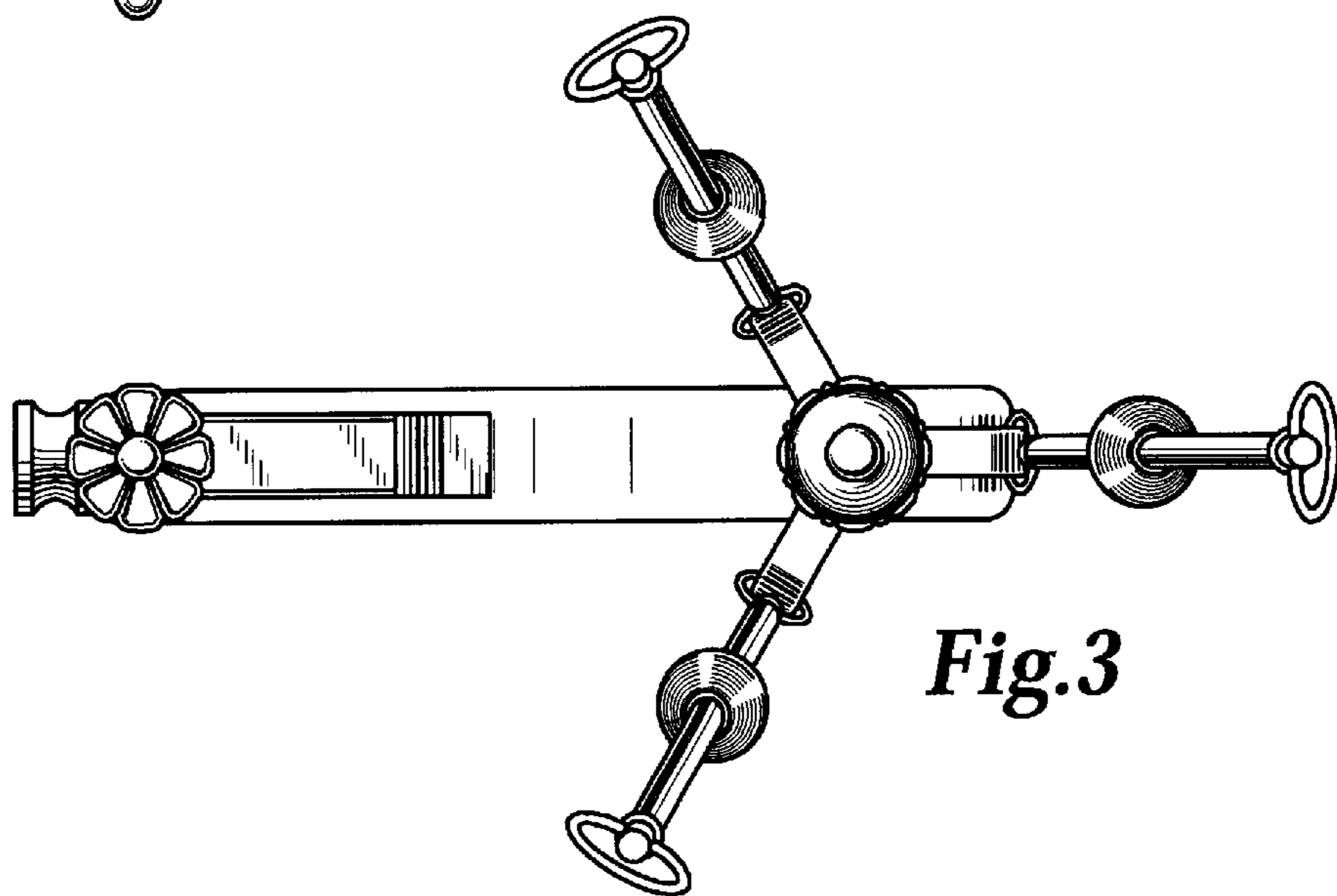


Fig. 3

