



US00D461271S

(12) **United States Design Patent** (10) **Patent No.:** **US D461,271 S**  
**Hsu** (45) **Date of Patent:** **\*\* Aug. 6, 2002**

(54) **PENDENT LAMP**

OTHER PUBLICATIONS

(75) Inventor: **Sam Hsu**, Taichung (TW)  
(73) Assignee: **Dong Guan Bright Yin Huey Lighting Co., Ltd.**, Guang Dong (CN)  
(\*\*) Term: **14 Years**

Quoizel 1997 Catalog p. 46; items QM 930F, QM 931F and QG 668B.\*

\* cited by examiner

*Primary Examiner*—Alan P. Douglas

*Assistant Examiner*—Clare E. Heflin

(74) *Attorney, Agent, or Firm*—Rosenberg, Klein & Lee

(21) Appl. No.: **29/150,997**

(22) Filed: **Dec. 4, 2001**

(57) **CLAIM**

(51) **LOC (7) Cl.** ..... **26-03**

The ornamental design for a pendent lamp, as shown and described.

(52) **U.S. Cl.** ..... **D26/90; D26/85; D26/89**

(58) **Field of Search** ..... D26/72, 80-92,  
D26/142-144, 152, 155; 362/147, 404-408,  
432

**DESCRIPTION**

(56) **References Cited**

**U.S. PATENT DOCUMENTS**

- 1,127,527 A \* 2/1915 Shoen
- D49,790 S \* 10/1916 Bayley
- D54,232 S \* 12/1919 Cohn
- D57,785 S \* 5/1921 Poritz
- D60,182 S \* 1/1922 Ullman
- D430,690 S \* 9/2000 Miranda ..... D26/84

FIG. 1 is a perspective view of pendent lamp showing my new design;

FIG. 2 is a front elevation view thereof;

FIG. 3 is a rear elevation view thereof;

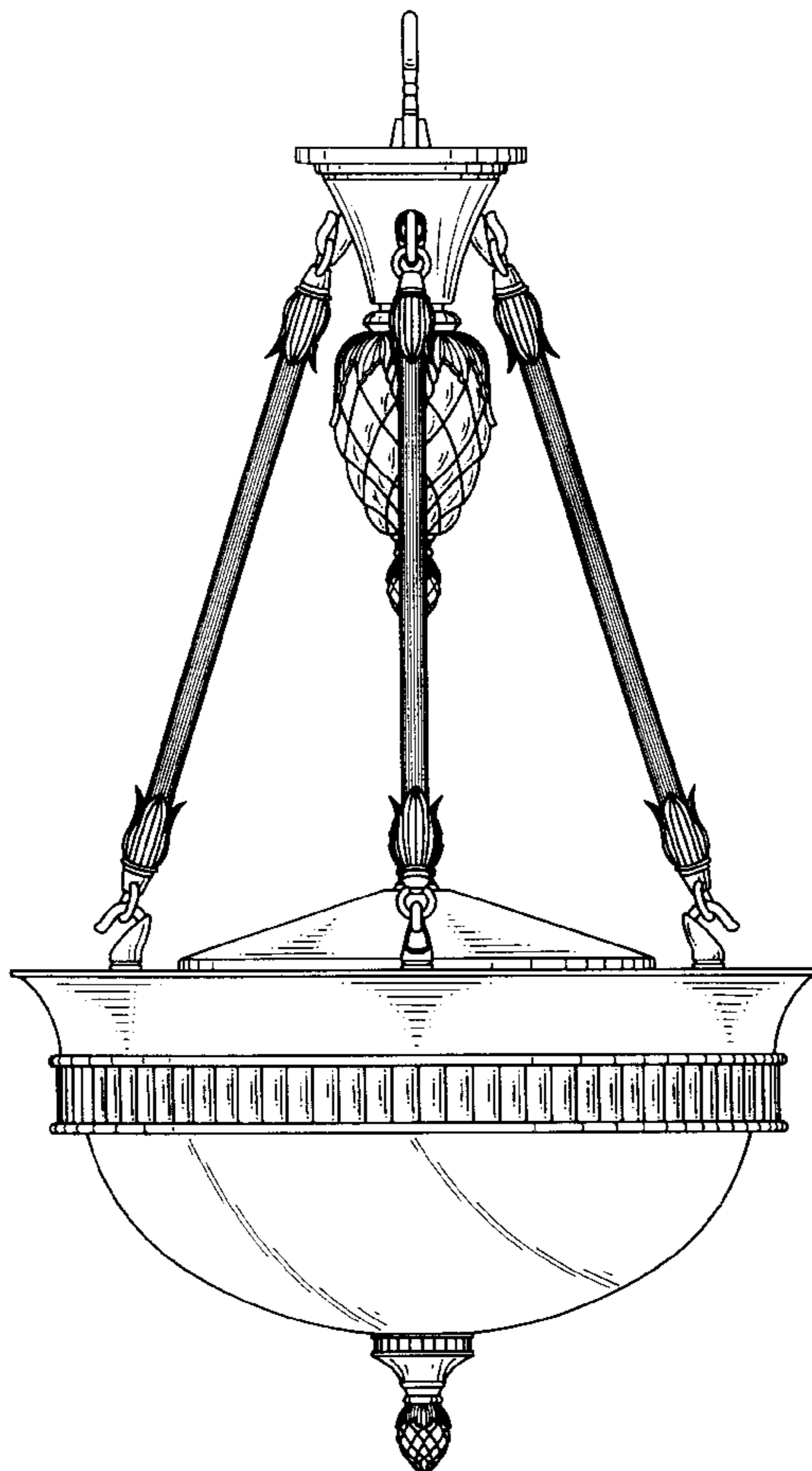
FIG. 4 is a left side elevation view thereof;

FIG. 5 is a right side elevation view thereof;

FIG. 6 is a top plan view thereof; and,

FIG. 7 is a bottom plan view thereof.

**1 Claim, 6 Drawing Sheets**



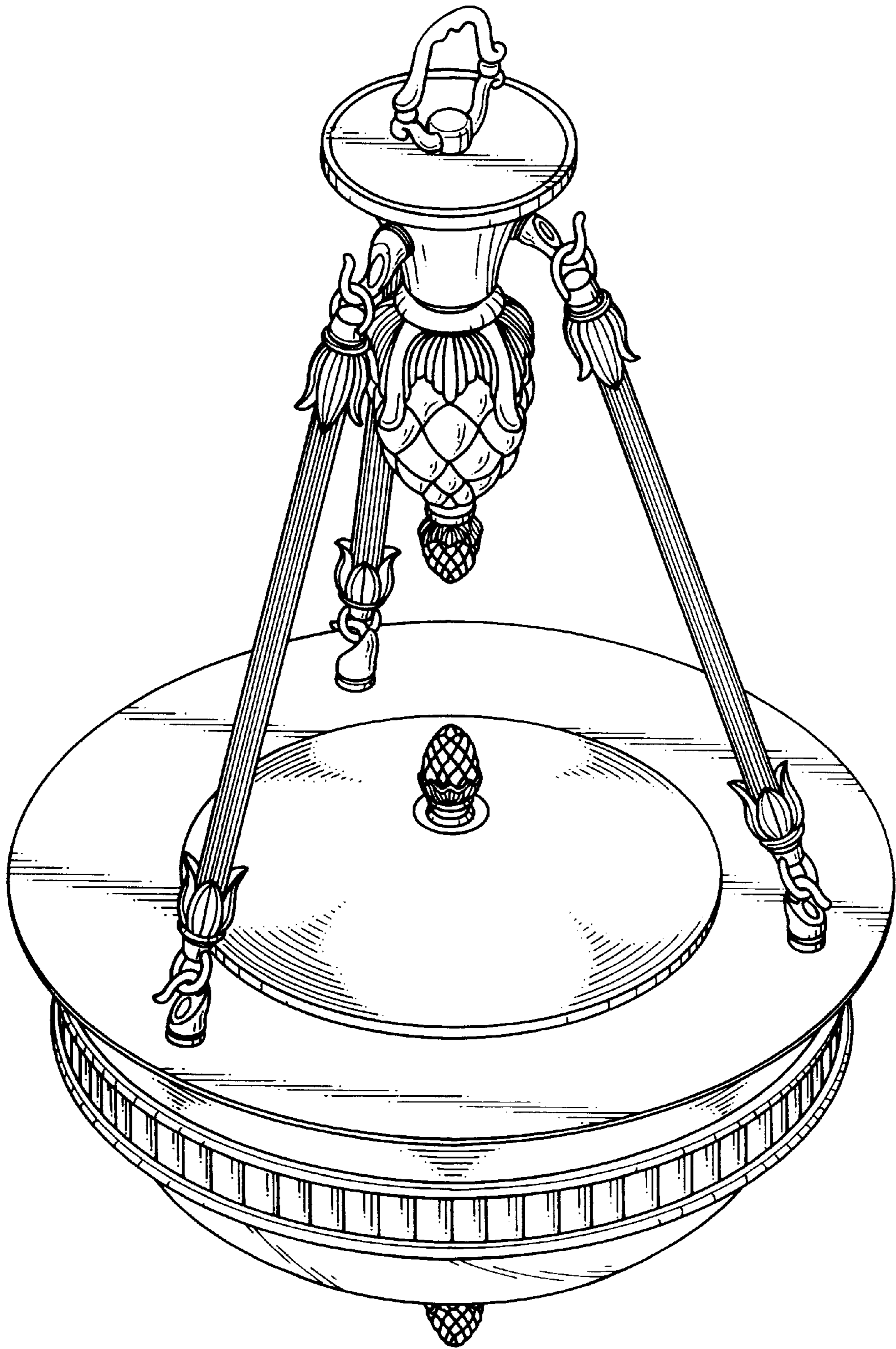


FIG. 1

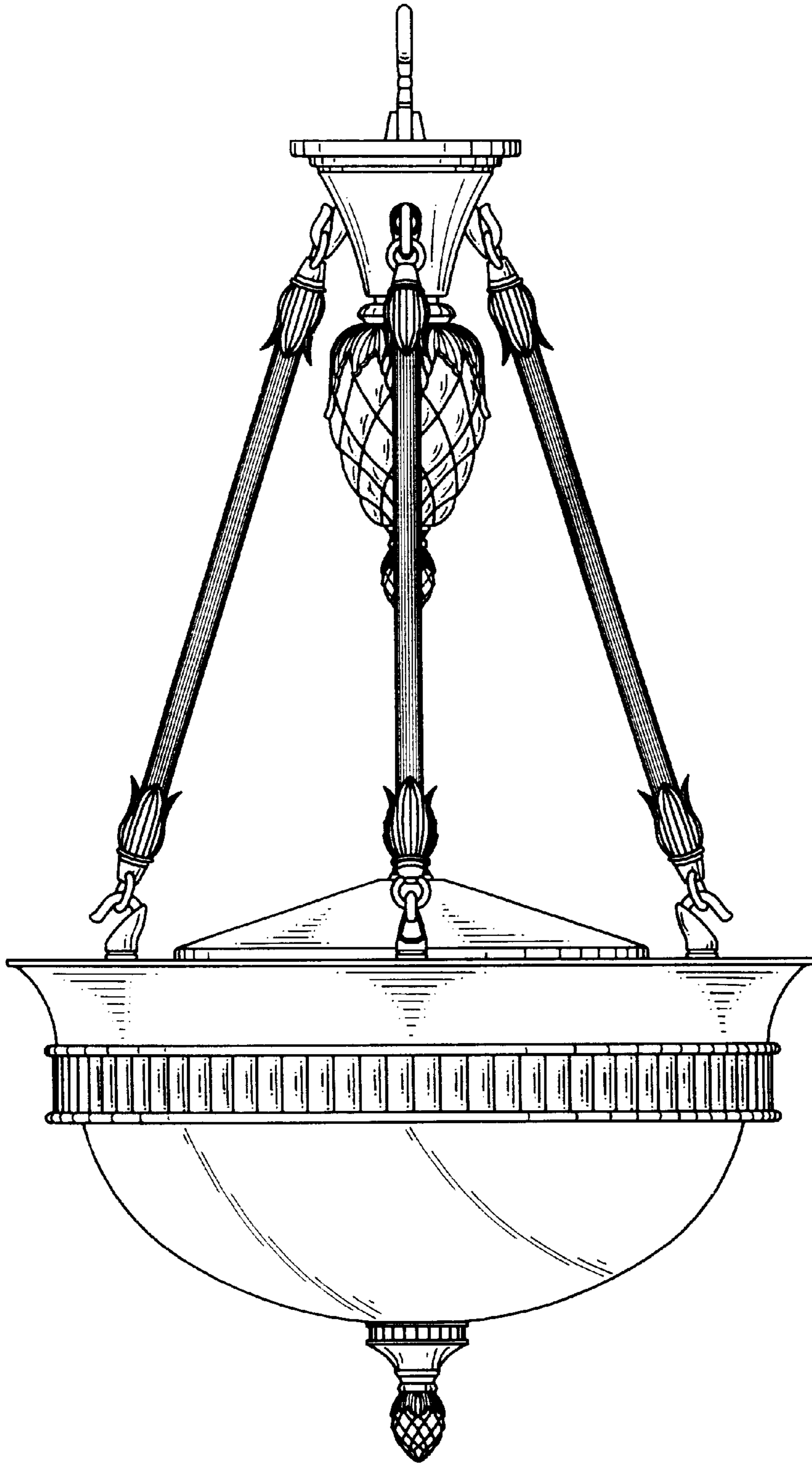


FIG. 2

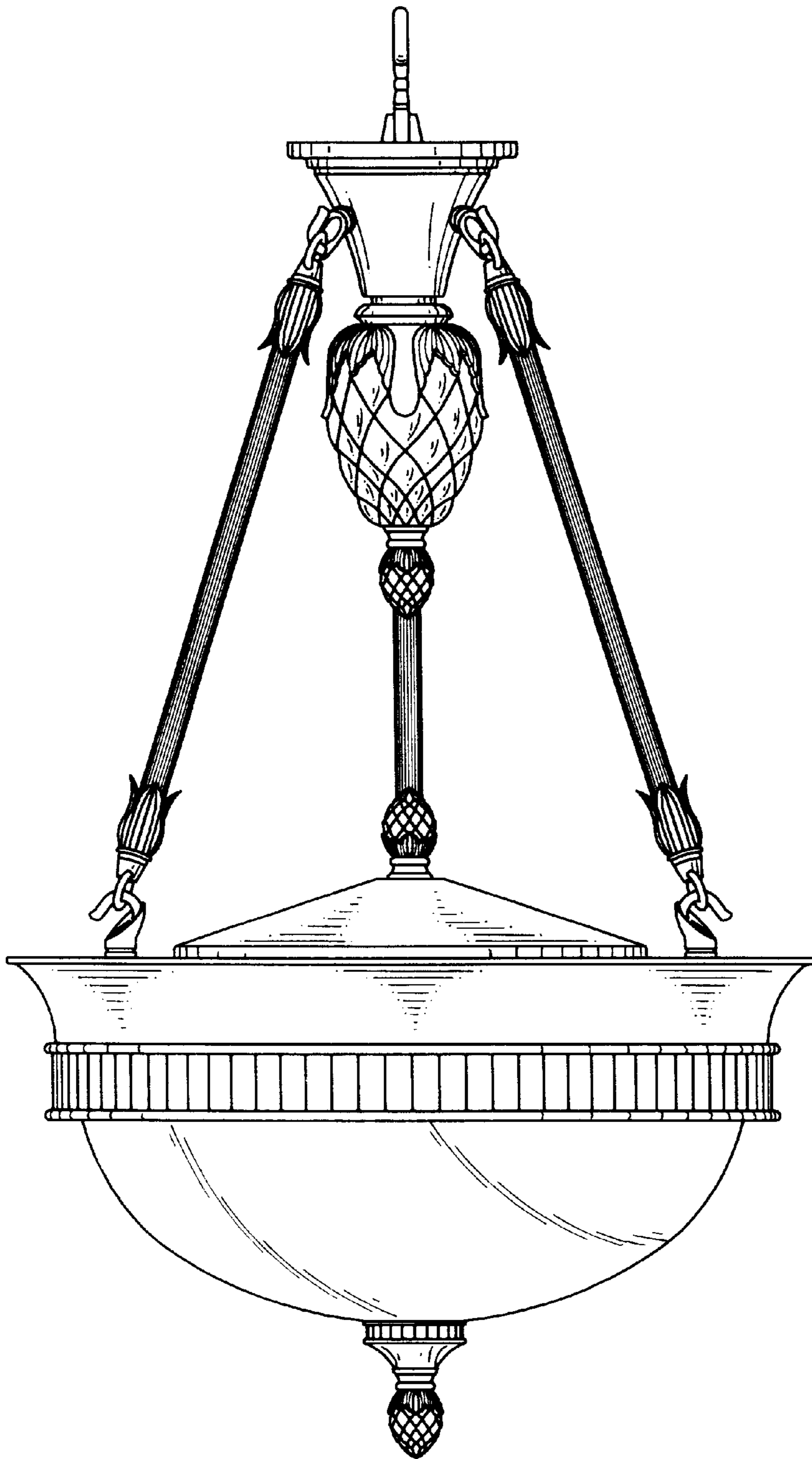


FIG. 3

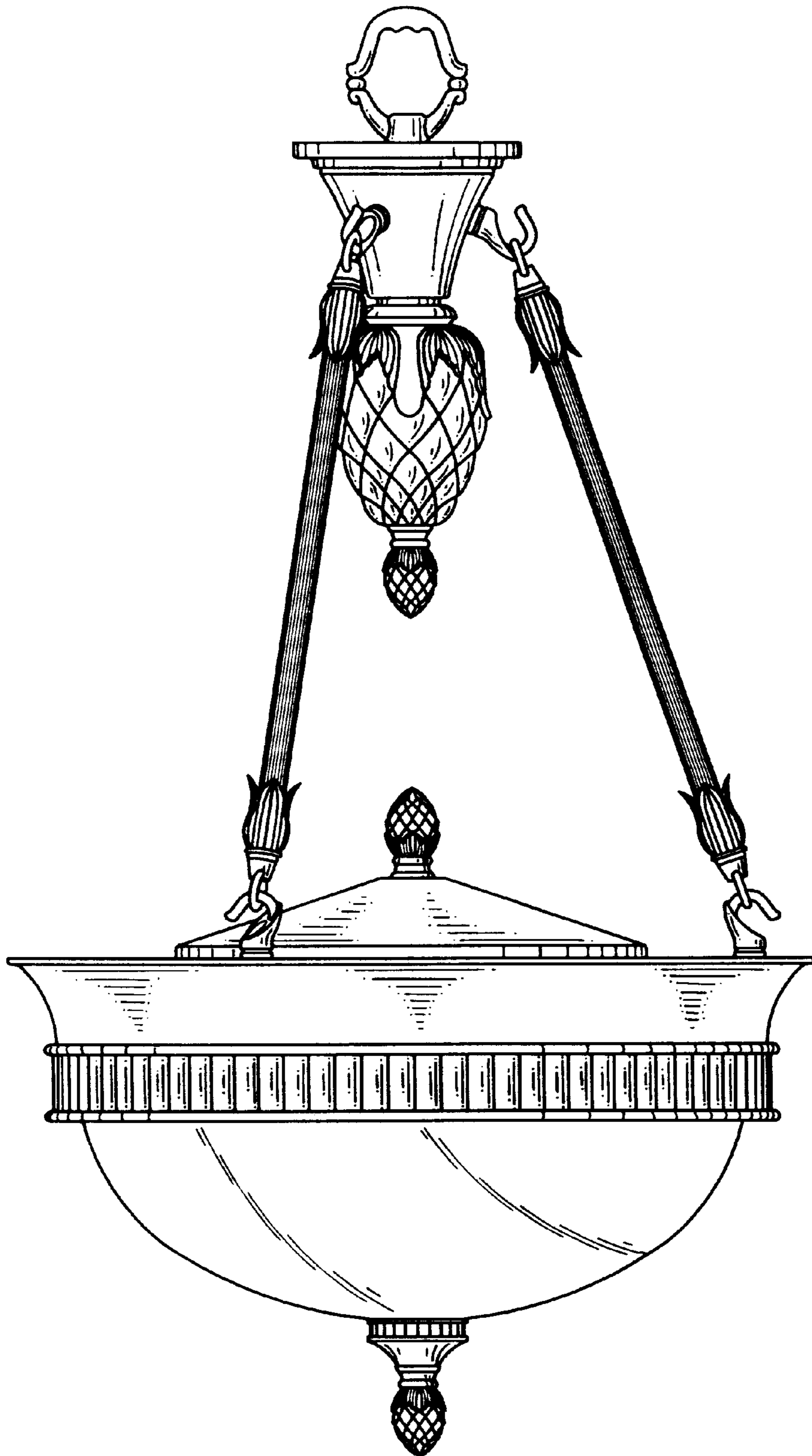


FIG. 4

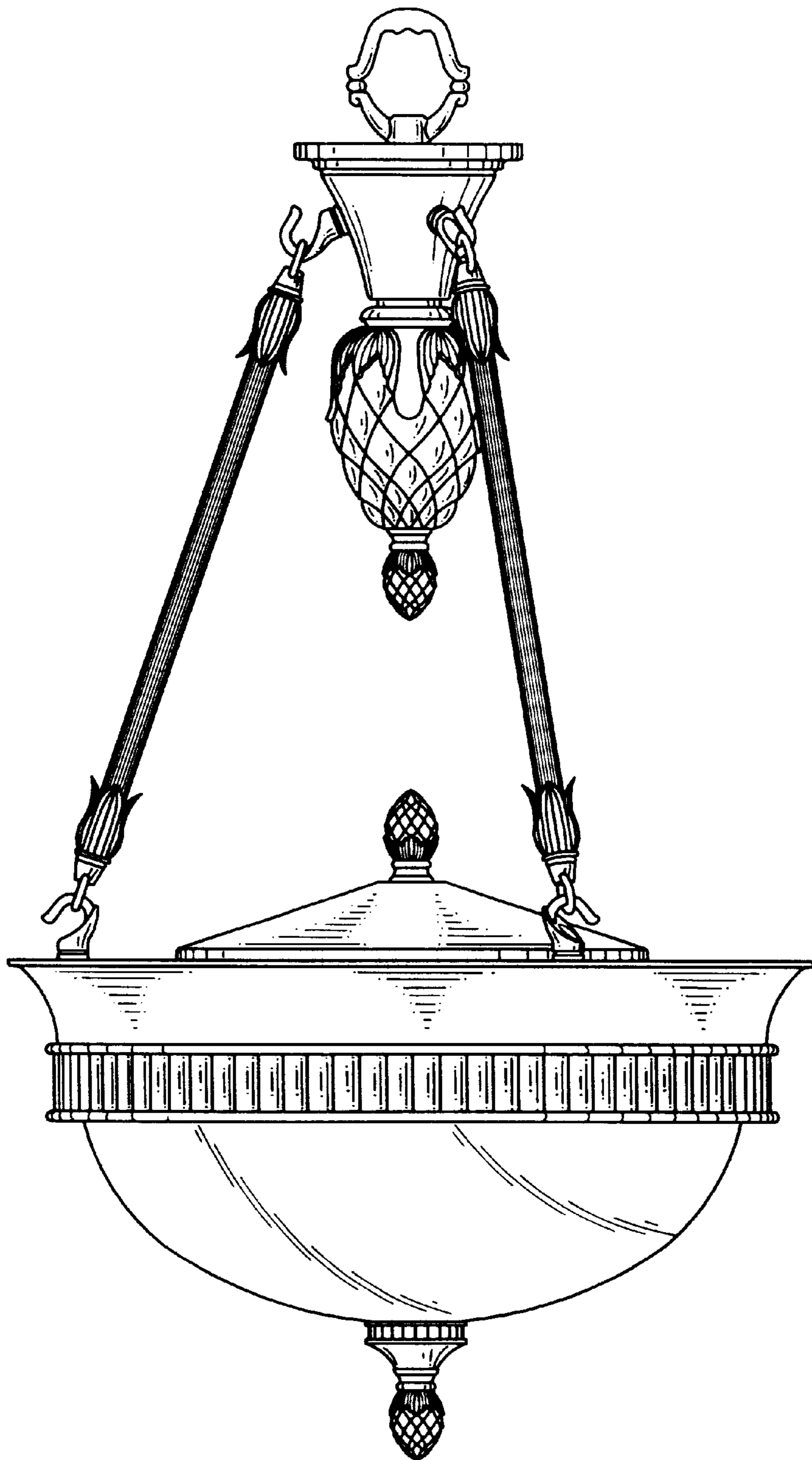


FIG. 5

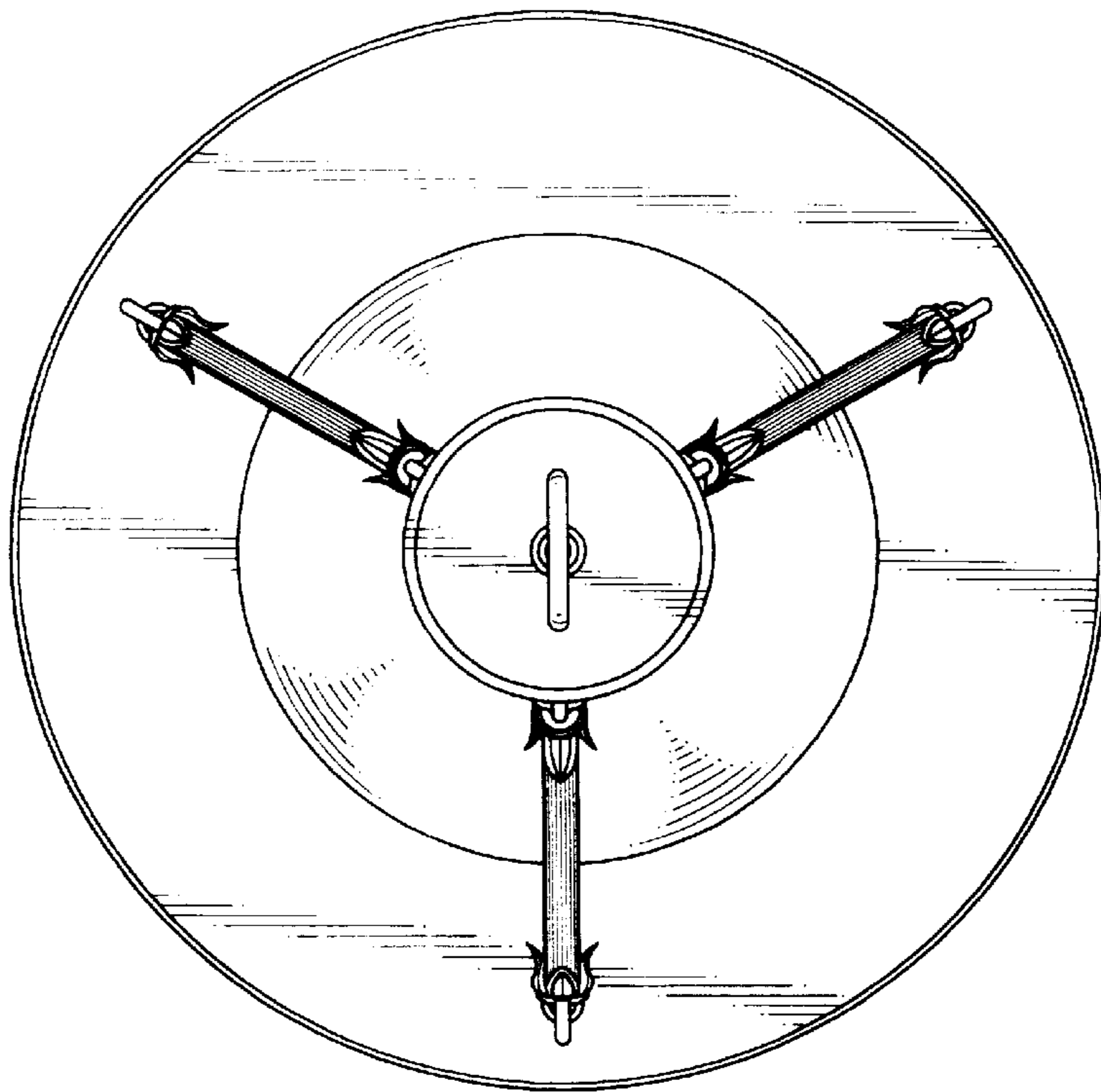


FIG. 6

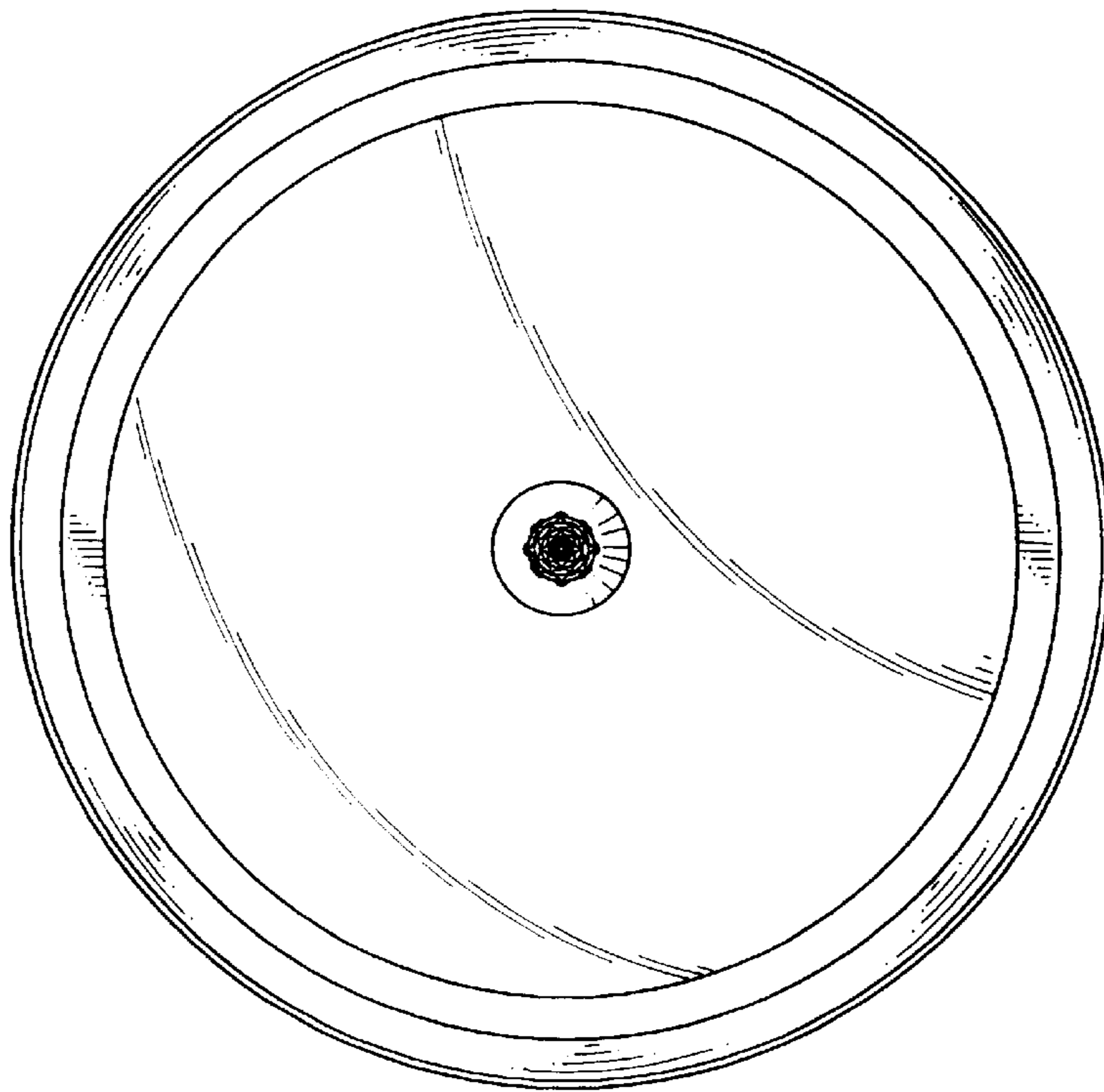


FIG. 7