



US00D461269S

(12) **United States Design Patent**  
**Thompson**

(10) **Patent No.:** **US D461,269 S**

(45) **Date of Patent:** **\*\* Aug. 6, 2002**

(54) **COMBINED LIGHT FIXTURE AND LENS**

D202,516 S \* 10/1965 Crawford

(75) Inventor: **Brandon Thompson**, Osceola, IN (US)

**OTHER PUBLICATIONS**

(73) Assignee: **R. B. Gustafson Company**, Elkhart, IN (US)

Brownlee 1999 Catalog p. 15; models 2140—JO and PB.\*  
R.B. Gustafson Co, "Gustafson Lighting Catalog," cover and pp. 2-7.

(\*\*) Term: **14 Years**

\* cited by examiner

(21) Appl. No.: **29/150,412**

*Primary Examiner*—Alan P. Douglas

(22) Filed: **Nov. 13, 2001**

*Assistant Examiner*—Clare E. Heflin

(51) **LOC (7) Cl.** ..... **26-03**

(74) *Attorney, Agent, or Firm*—Fulwider, Patton, Lee & Utecht, LLP

(52) **U.S. Cl.** ..... **D26/89**

(57) **CLAIM**

(58) **Field of Search** ..... D26/72, 80-92,  
D26/142-144, 152, 155, 113, 118, 120,  
123, 124; 362/147, 404-408, 432

The ornamental design for a combined light fixture and lens, as shown and described.

(56) **References Cited**

**DESCRIPTION**

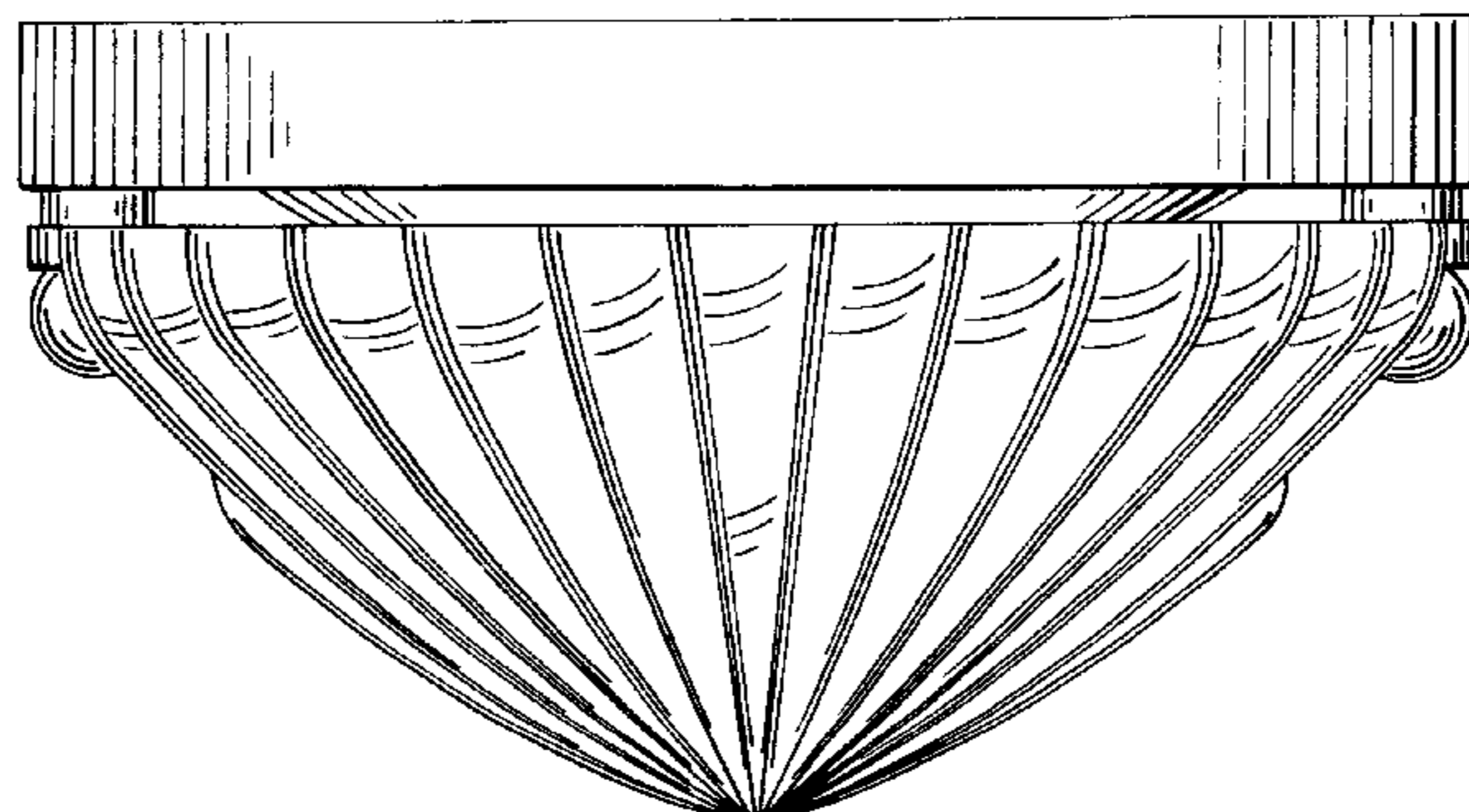
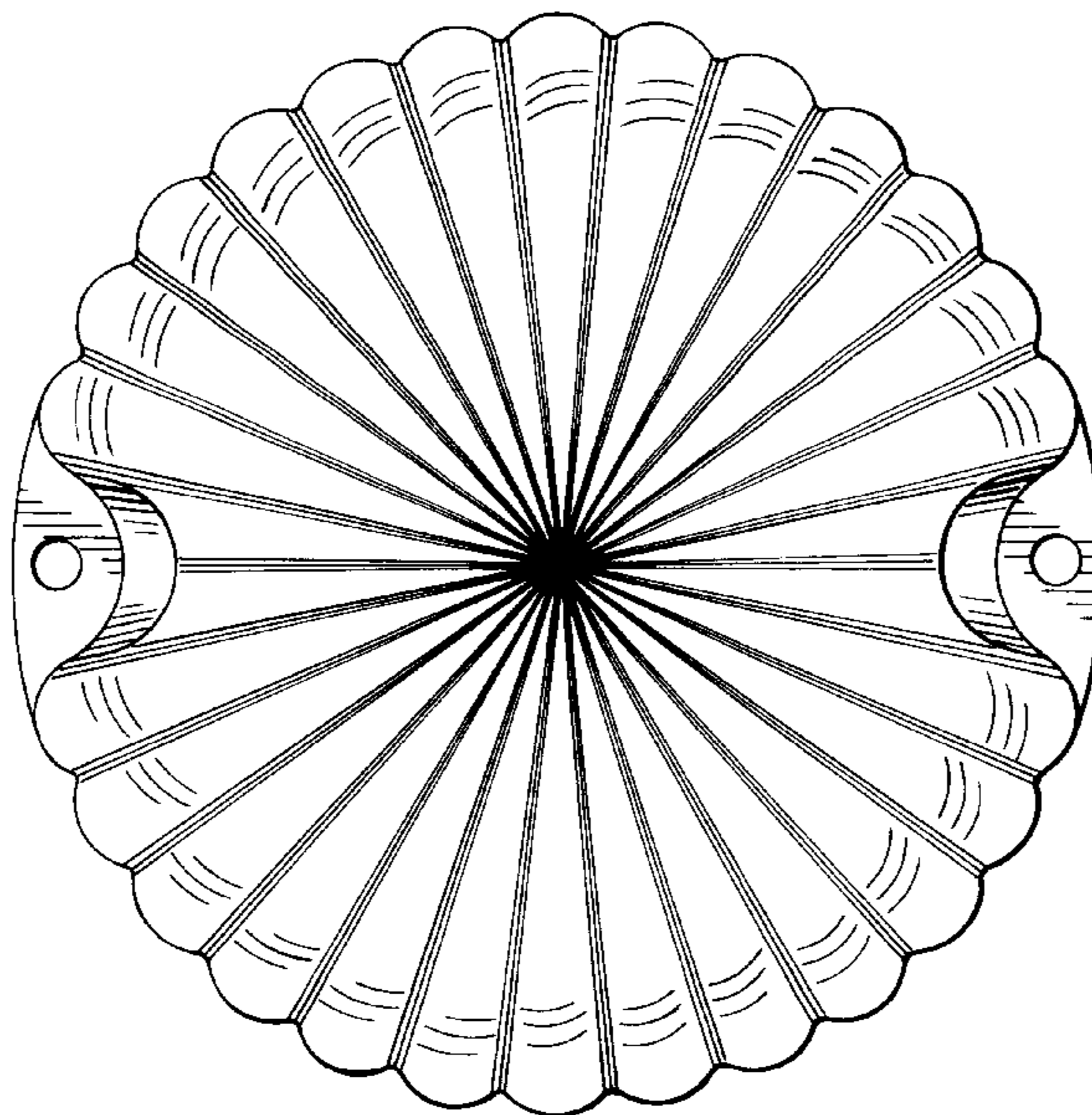
**U.S. PATENT DOCUMENTS**

- D42,863 S \* 8/1912 Spindler
- D48,094 S \* 11/1915 Adam
- D51,022 S \* 7/1917 Mohr
- D54,191 S \* 11/1919 Yardley
- D57,027 S \* 1/1921 Westphal
- D186,622 S \* 11/1959 Walker

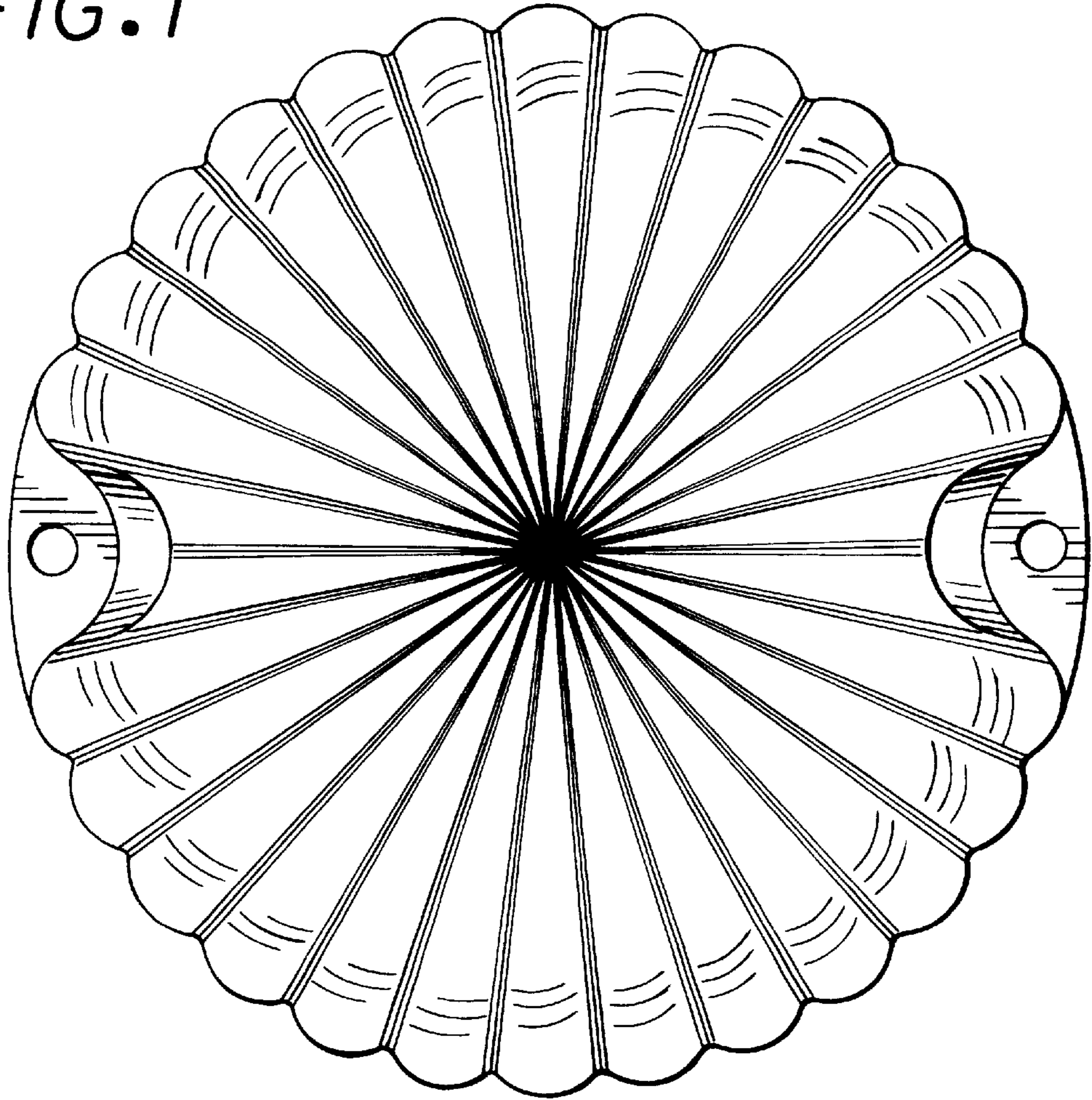
FIG. 1 is a bottom plan view showing my new design;  
FIG. 2 is a front view thereof;  
FIG. 3 is a top plan view thereof; and,  
FIG. 4 is a left-hand side view thereof.

In FIG. 3 the electric wires are shown broken away to depict indeterminate length.

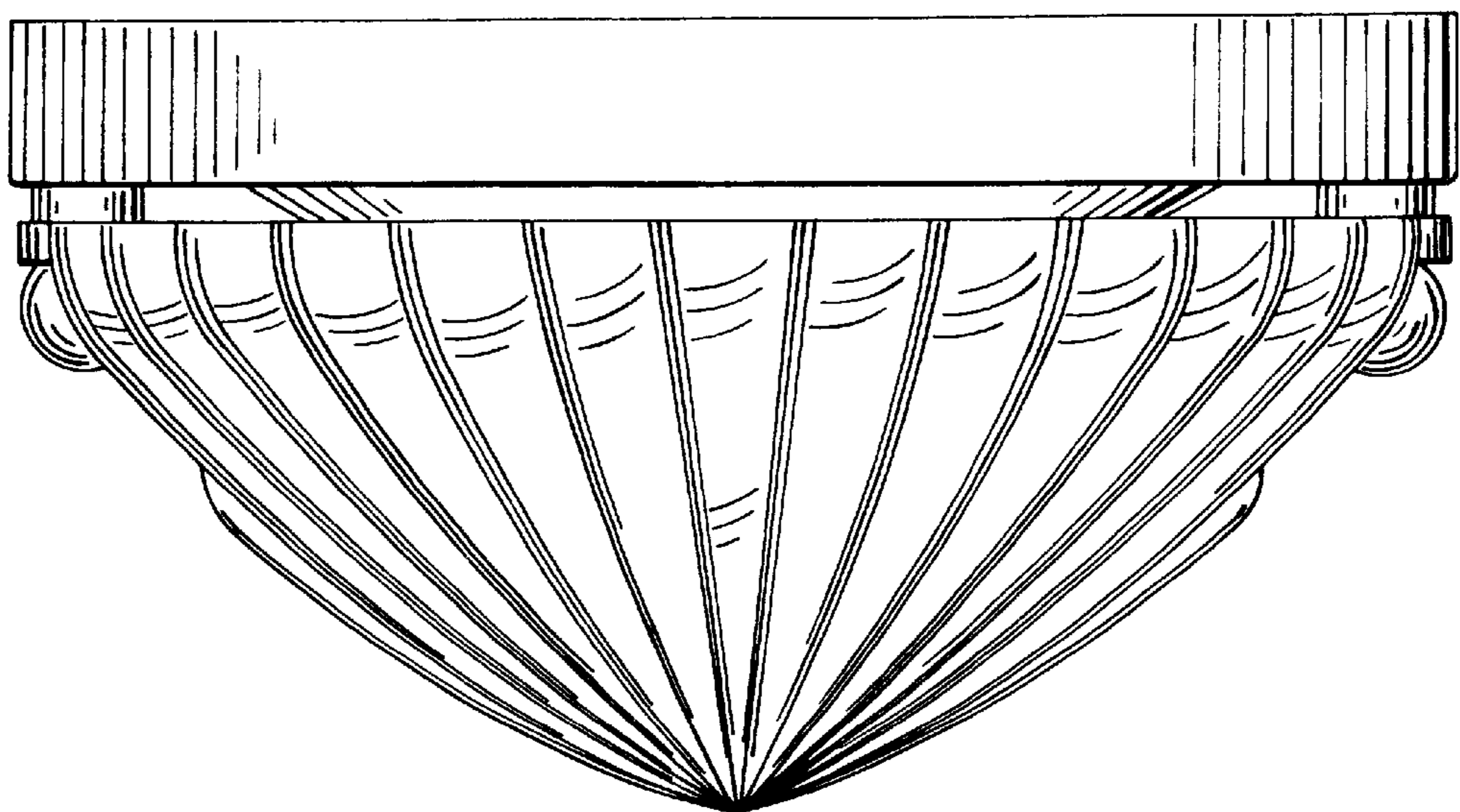
**1 Claim, 2 Drawing Sheets**



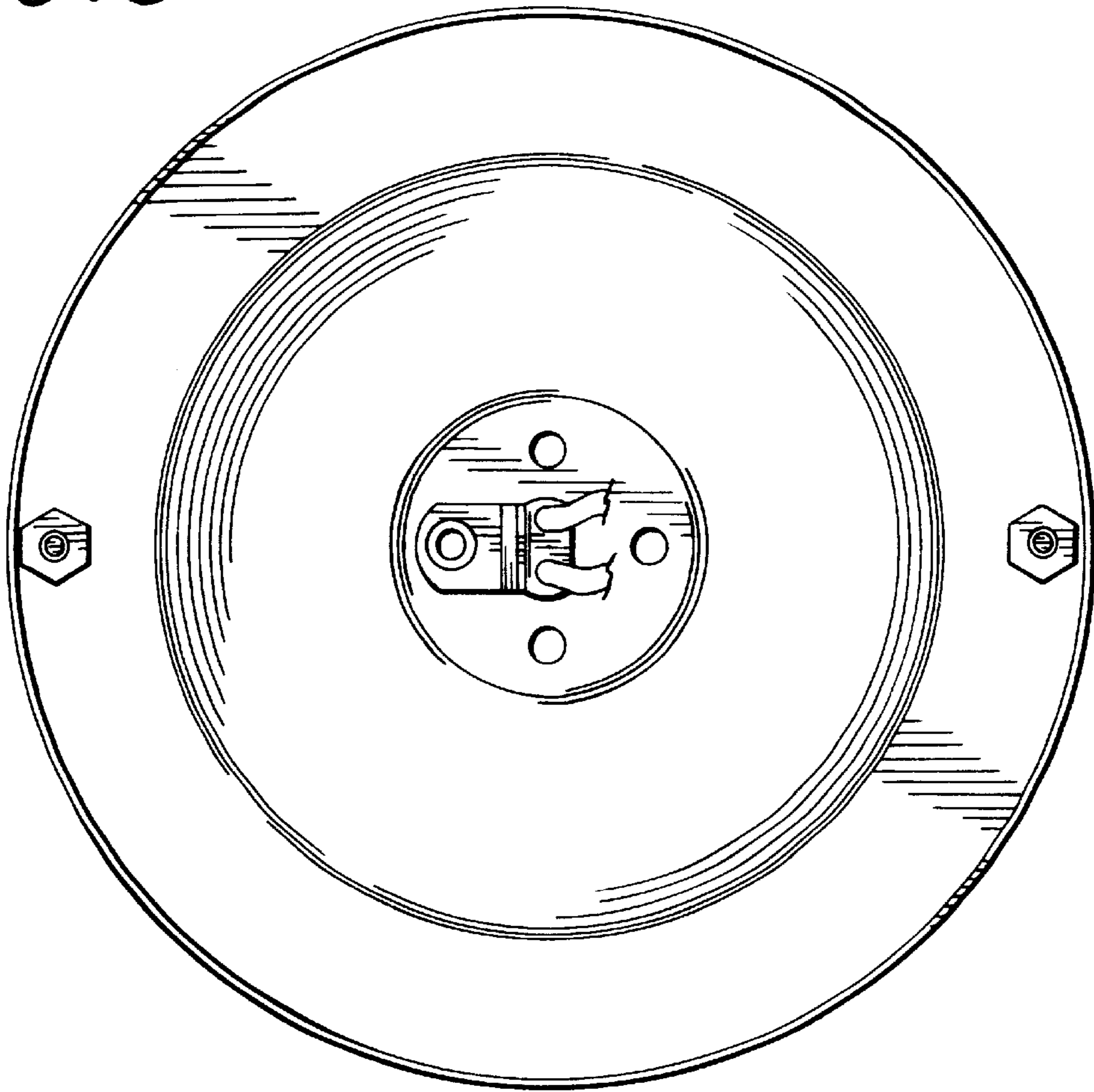
*FIG. 1*



*FIG. 2*



*FIG. 3*



*FIG. 4*

