



US00D461267S

(12) **United States Design Patent**  
**Arumugasaamy**

(10) **Patent No.:** **US D461,267 S**

(45) **Date of Patent:** **\*\* Aug. 6, 2002**

(54) **SUSPENDED LUMINAIRE**

**OTHER PUBLICATIONS**

(75) **Inventor:** **Panchadsaram Arumugasaamy,**  
Granville, OH (US)

Sea Gull Lighting catalog, 1996, p. 72, chandelier #6612-02, top left.\*

(73) **Assignee:** **Acuity Brands, Inc.,** Atlanta, GA (US)

\* cited by examiner

(\*\*) **Term:** **14 Years**

*Primary Examiner*—Susan J. Lucas

(21) **Appl. No.:** **29/119,345**

(57) **CLAIM**

(22) **Filed:** **Feb. 28, 2000**

The ornamental design for a suspended luminaire, as shown.

(51) **LOC (7) Cl.** ..... **26-05**

**DESCRIPTION**

(52) **U.S. Cl.** ..... **D26/85**

(58) **Field of Search** ..... D26/80-92; 362/147,  
362/404-408, 432, 340

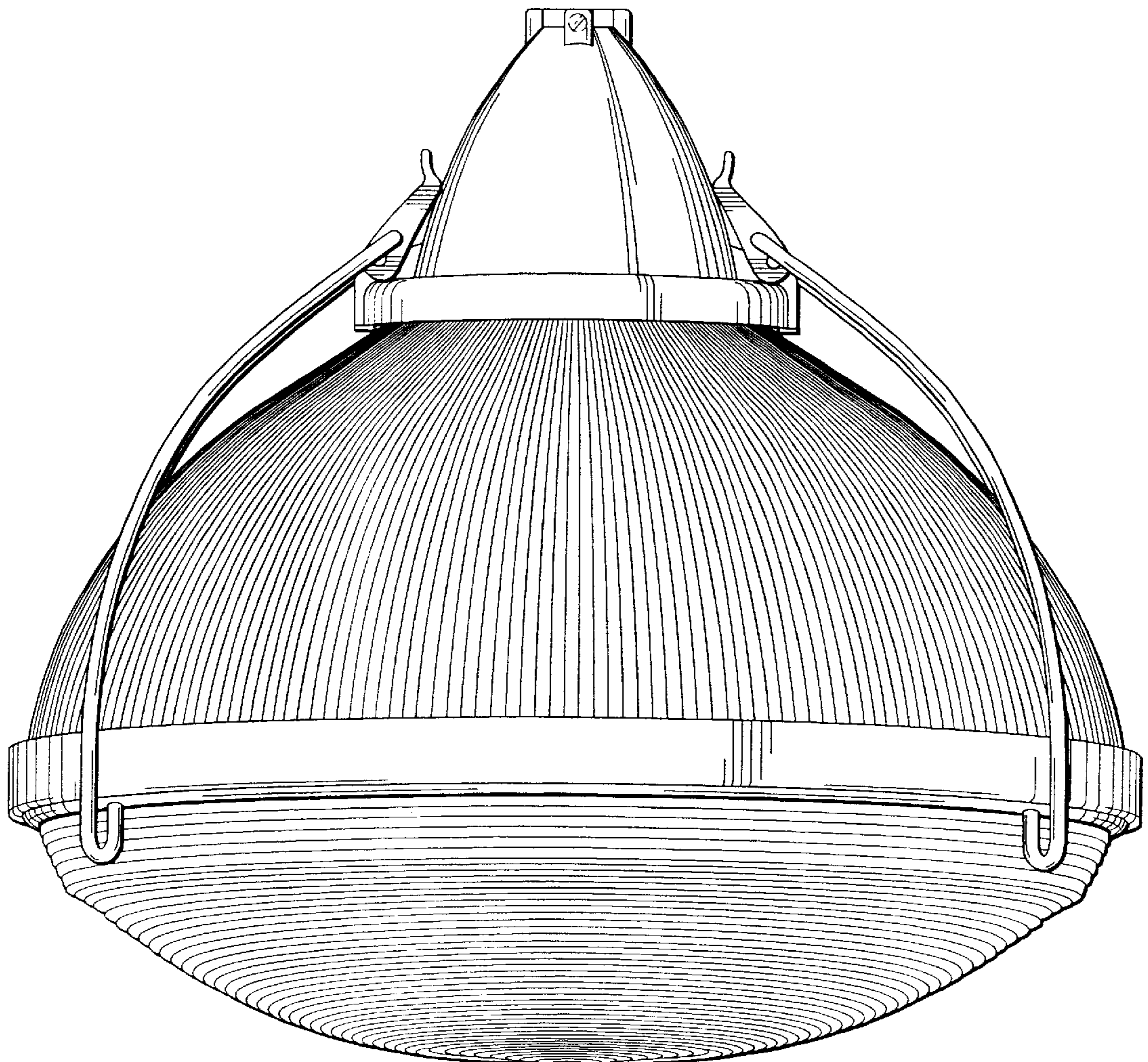
FIG. 1 is a front perspective view of my invention;  
FIG. 2 is a front elevation view of the my invention;  
FIG. 3 is a rear elevation view of my invention;  
FIG. 4 is a right side elevation view of my invention;  
FIG. 5 is a top plan view of my invention; and,  
FIG. 6 is a bottom plan view of my invention.

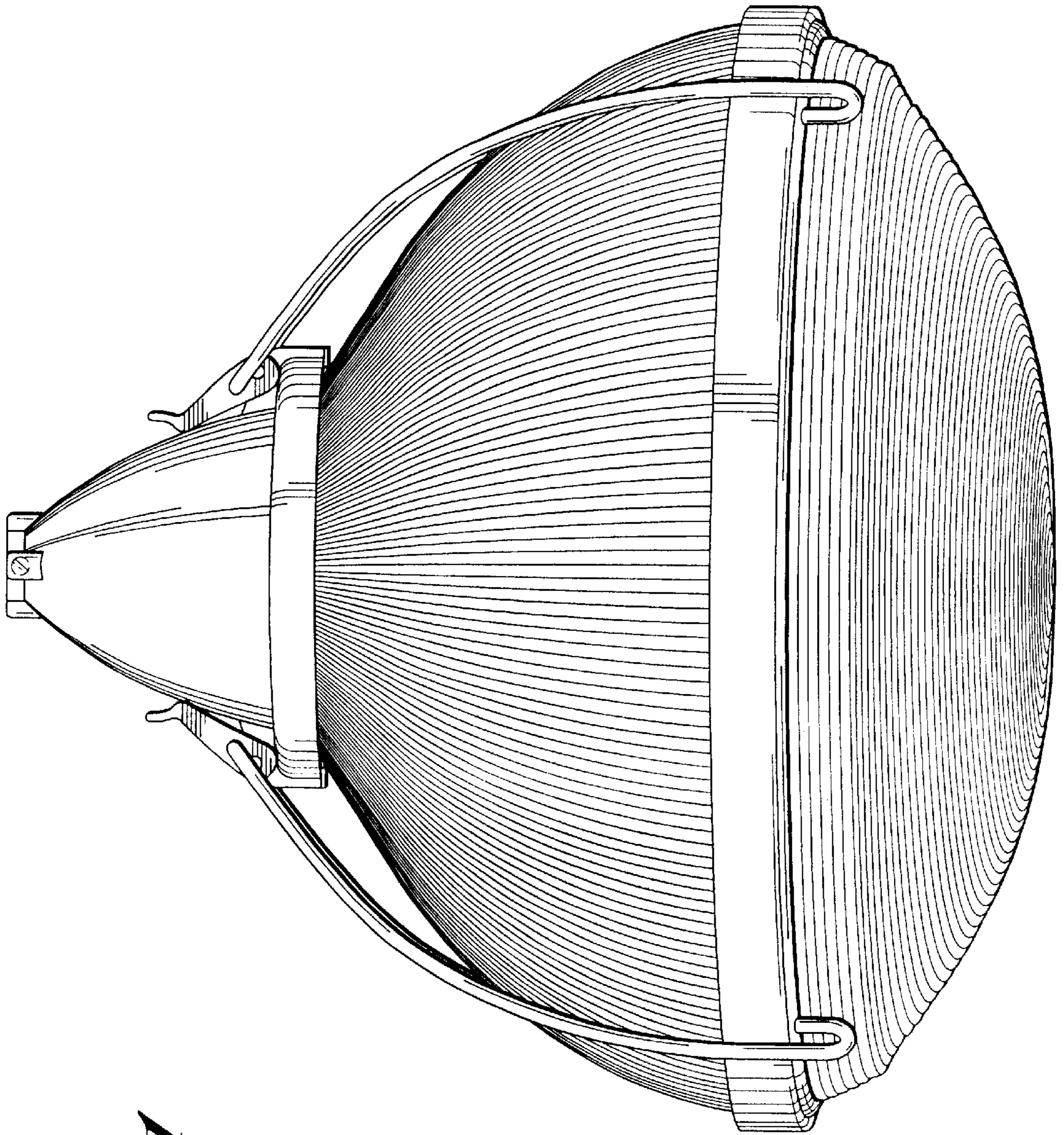
(56) **References Cited**

**U.S. PATENT DOCUMENTS**

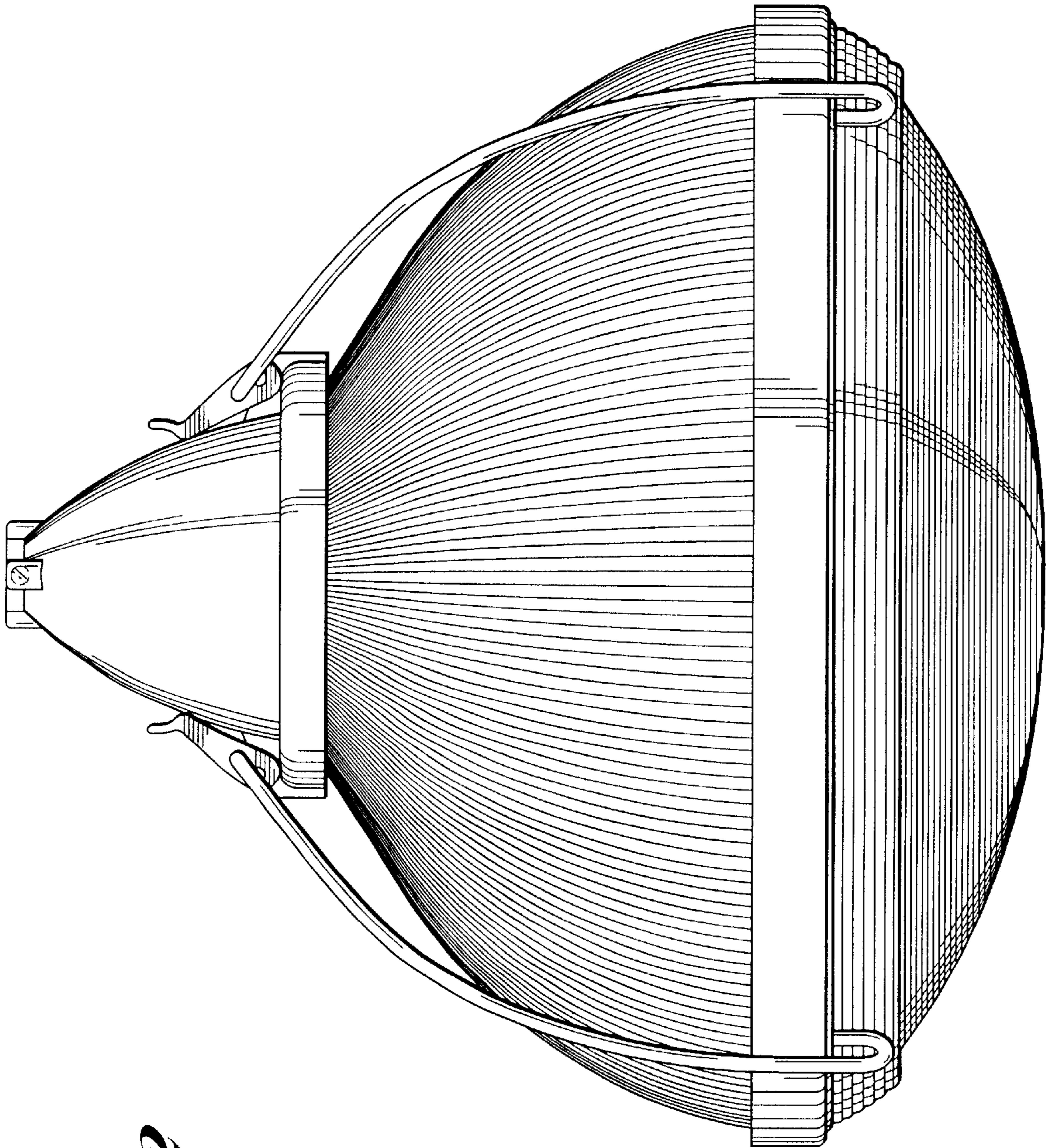
2,474,327 A \* 6/1949 Rolph ..... 362/340  
3,283,138 A \* 11/1966 Huber ..... 362/340

**1 Claim, 6 Drawing Sheets**

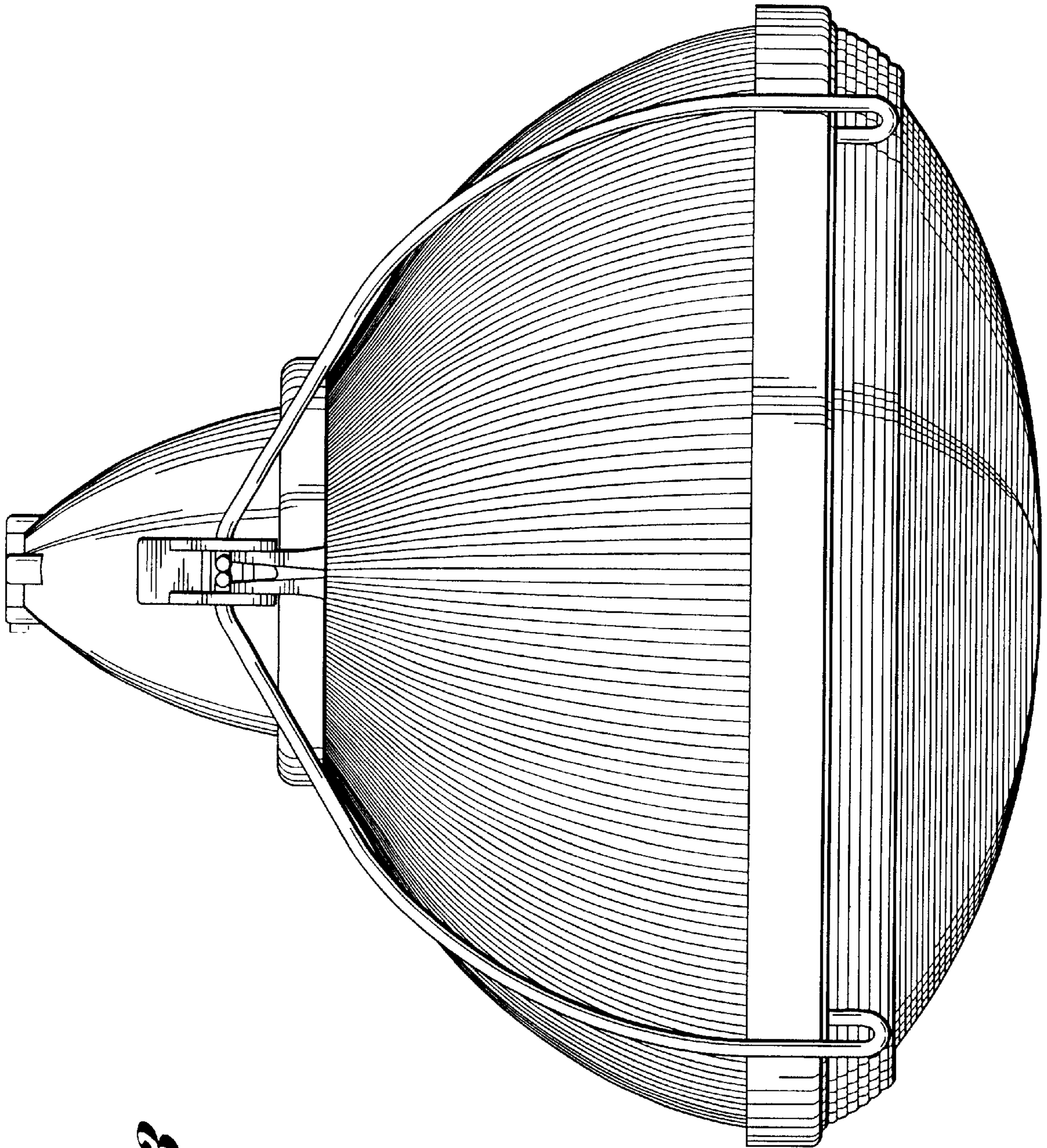




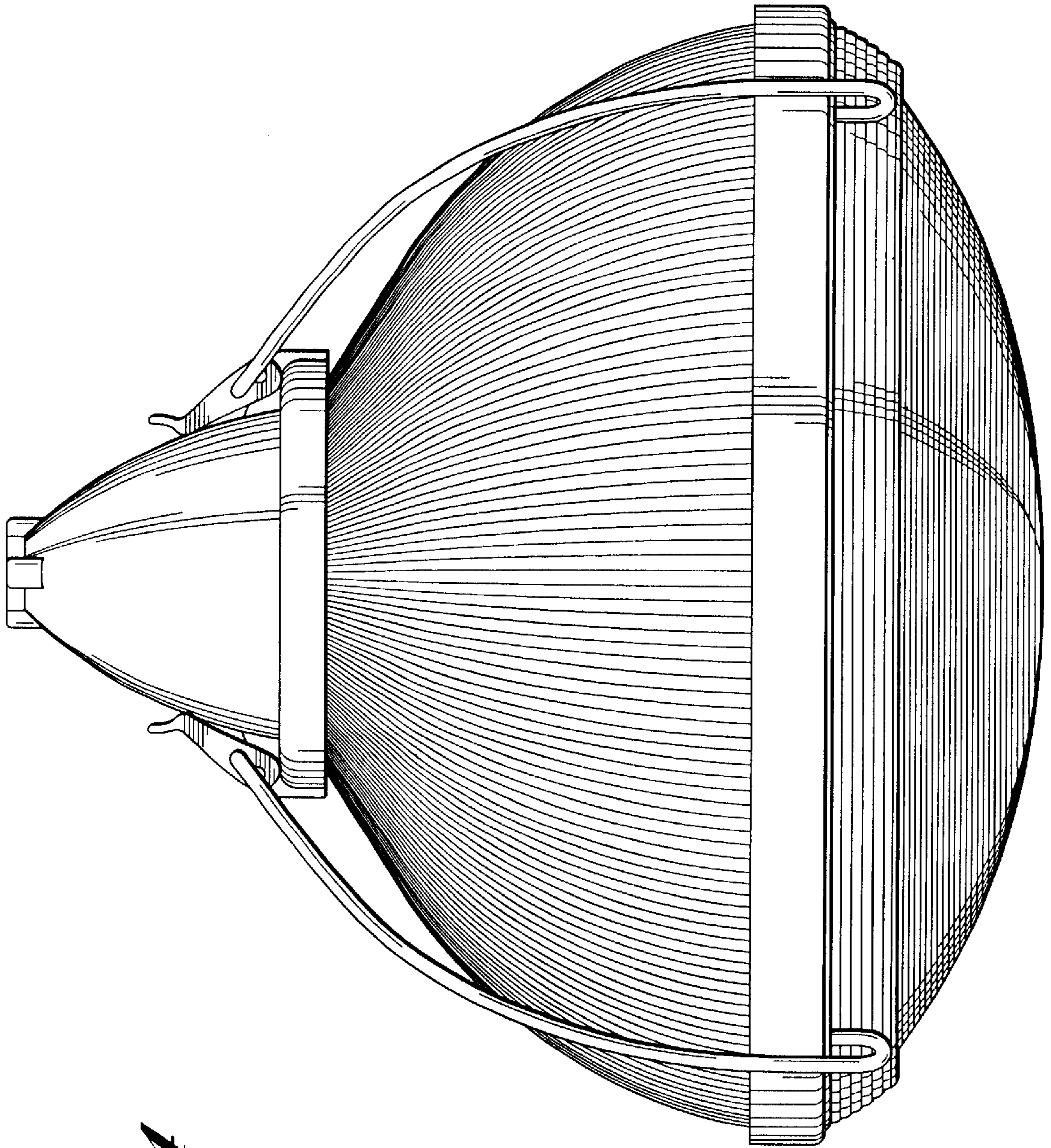
*Fig. 1*



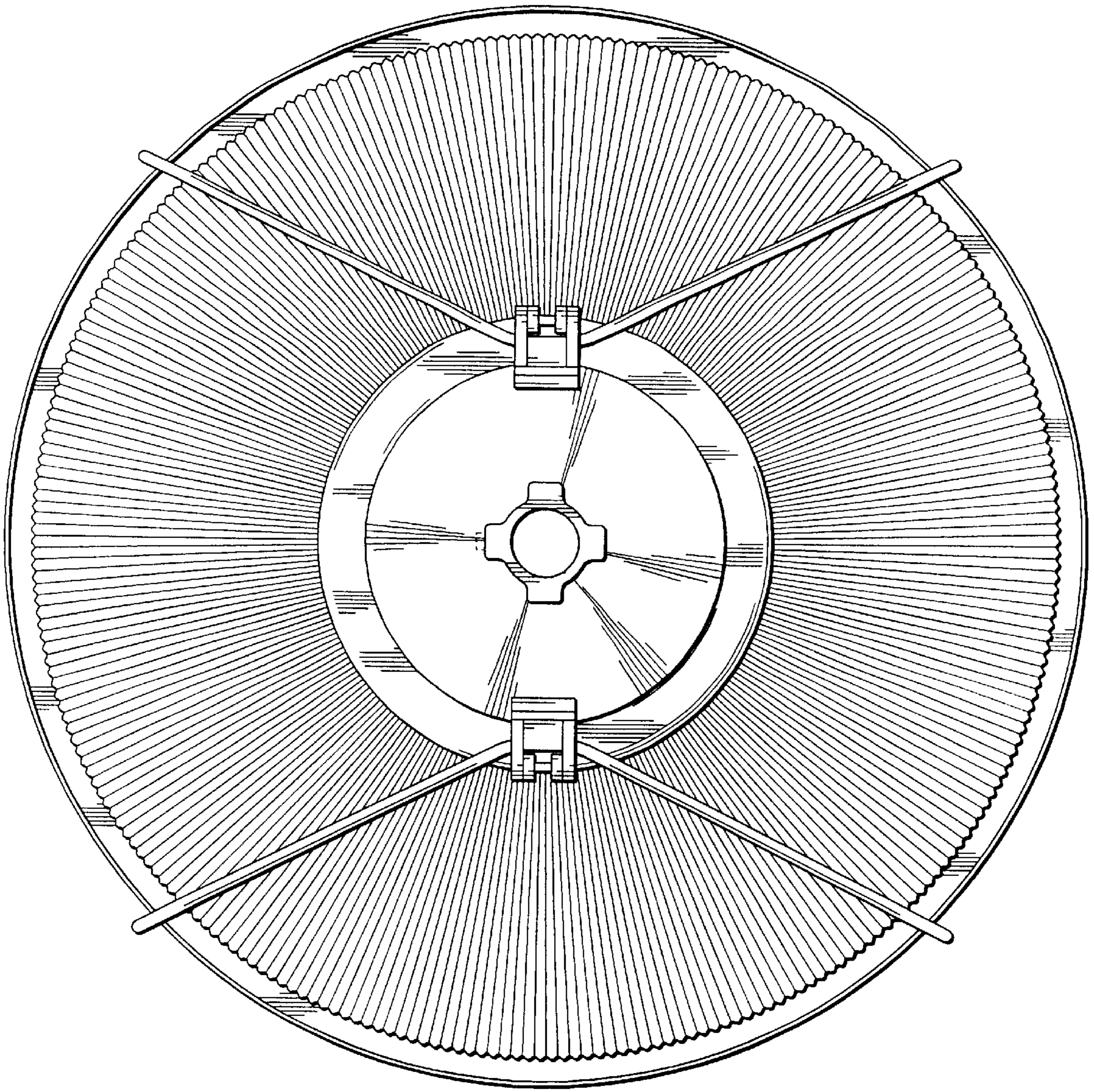
*Fig. 2*



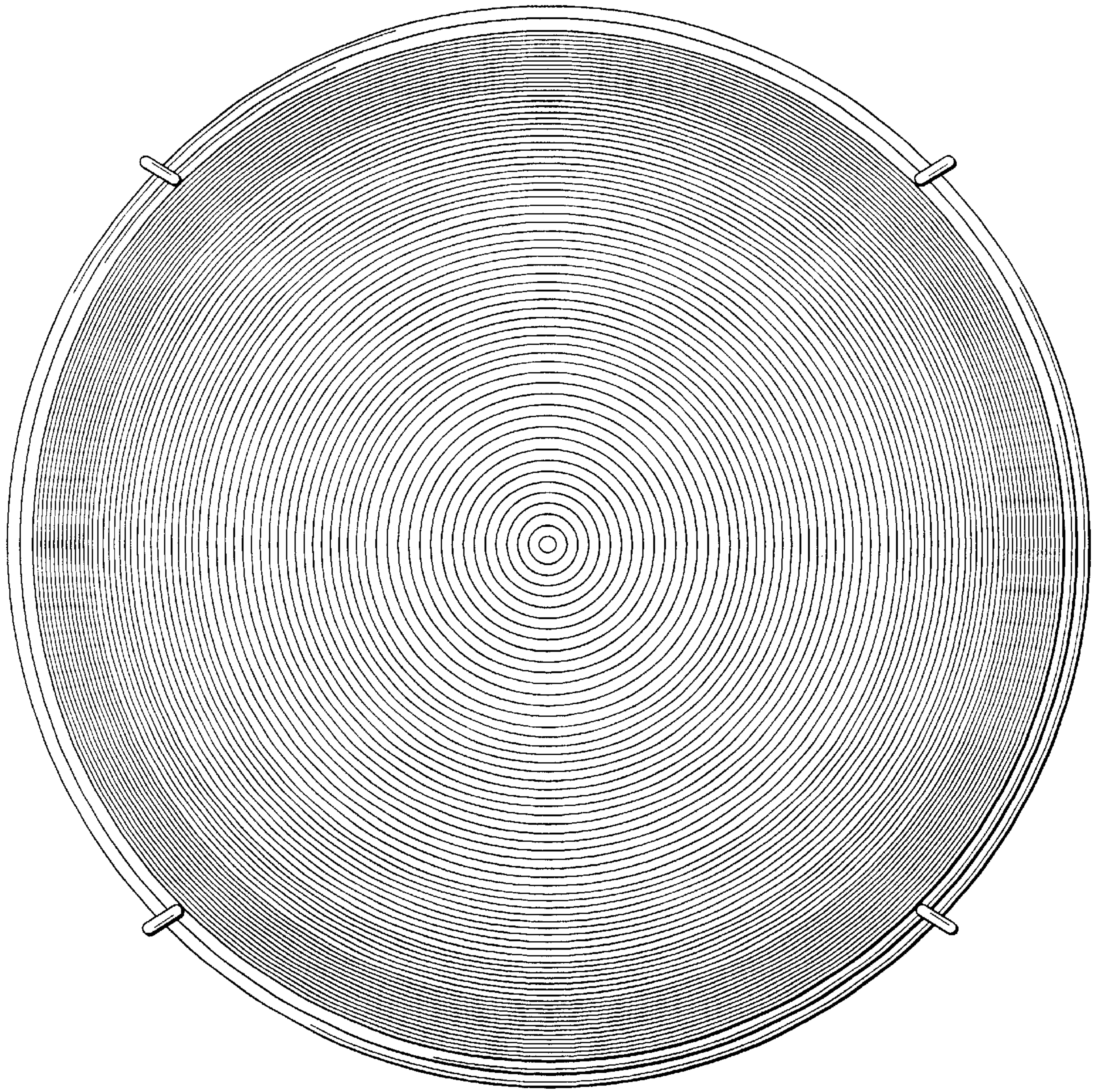
*Fig. 3*



*Fig. 4*



*Fig. 5*



*Fig. 6*