



US00D461266S

(12) **United States Design Patent**
Siu Cheong et al.

(10) **Patent No.:** **US D461,266 S**

(45) **Date of Patent:** **** Aug. 6, 2002**

(54) **SPOTLIGHT**

(75) Inventors: **Ellis Hon Siu Cheong**, Shunshine (HK); **Brian Wood**, McKinney, TX (US)

(73) Assignee: **The Brinkmann Corporation**, Dallas, TX (US)

(**) Term: **14 Years**

(21) Appl. No.: **29/147,263**

(22) Filed: **Aug. 23, 2001**

(51) **LOC (7) Cl.** **26-02**

(52) **U.S. Cl.** **D26/45**

(58) **Field of Search** D26/37-50; 362/157, 362/158, 171, 172, 173, 181-208

(56) **References Cited**

U.S. PATENT DOCUMENTS

- D282,873 S * 3/1986 May et al. D26/45
- D431,662 S * 10/2000 Krieger D26/45
- D436,200 S * 1/2001 Cheong et al. D26/45

- D438,997 S * 3/2001 Yuen D26/45
- D441,474 S * 5/2001 Poon D26/45
- D450,145 S * 11/2001 Krieger et al. D26/45

* cited by examiner

Primary Examiner—Marcus A. Jackson

(74) *Attorney, Agent, or Firm*—Sheppard, Mullin, Richter & Hampton LLP

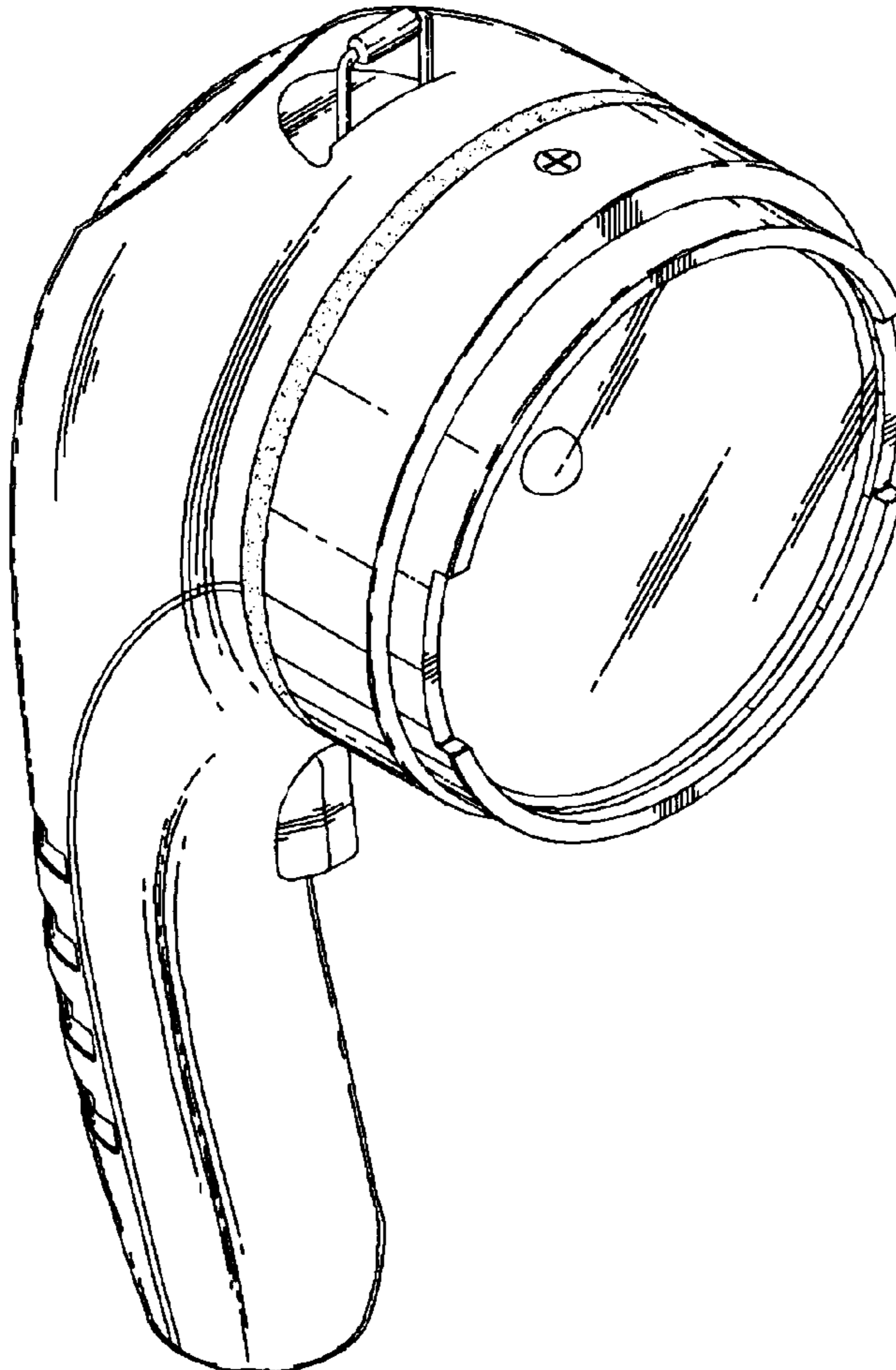
(57) **CLAIM**

We claim the ornamental design for a spotlight, as shown and described.

DESCRIPTION

FIG. 1 is a perspective view of a first embodiment of a spotlight showing the new design;
 FIG. 2 is a front side elevational view thereof;
 FIG. 3 is a top plan view thereof;
 FIG. 4 is a left side elevational view thereof with the right side being a mirror image;
 FIG. 5 is a rear side elevational view thereof; and,
 FIG. 6 is a bottom plan view thereof.

1 Claim, 2 Drawing Sheets



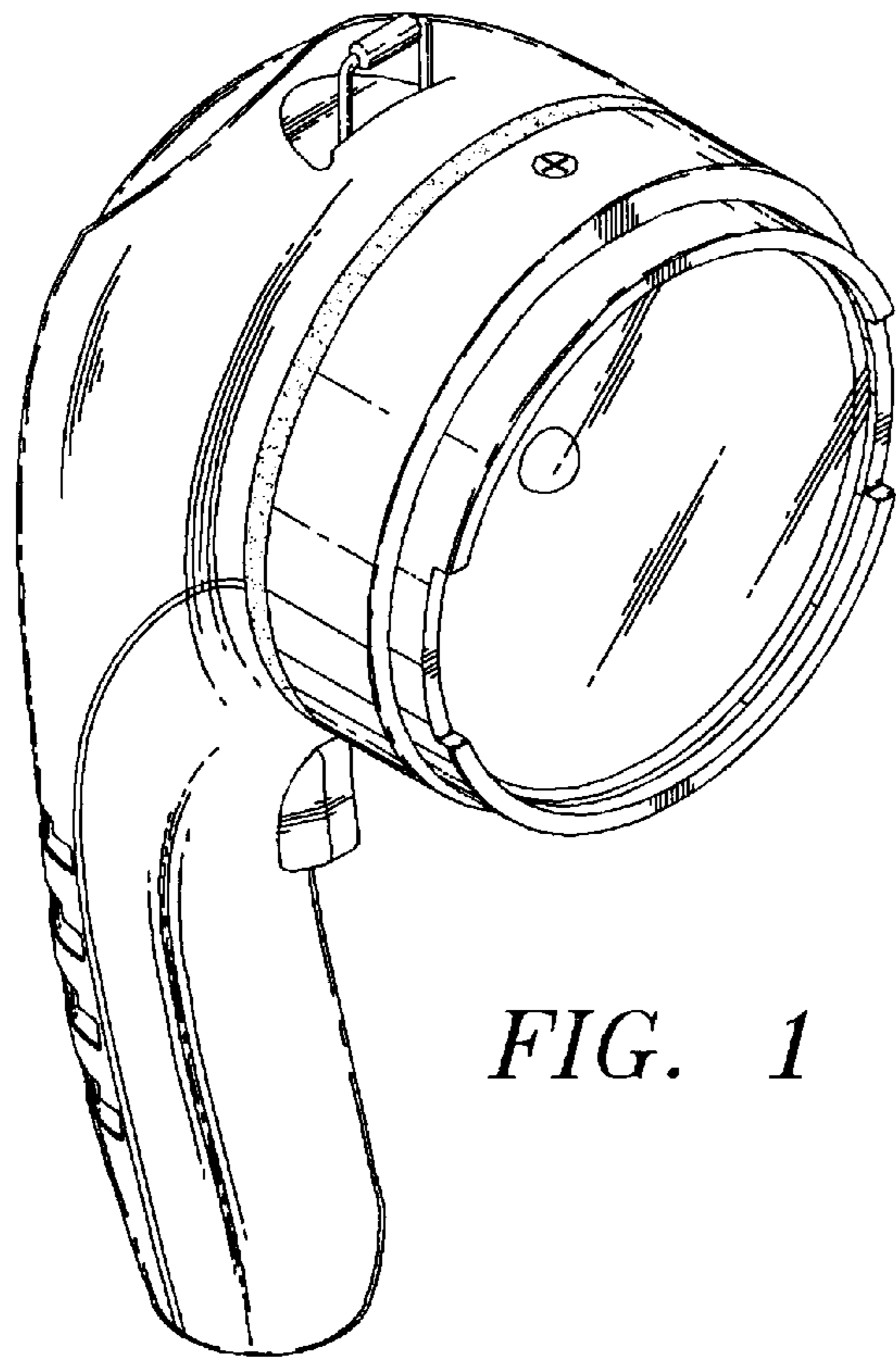


FIG. 1

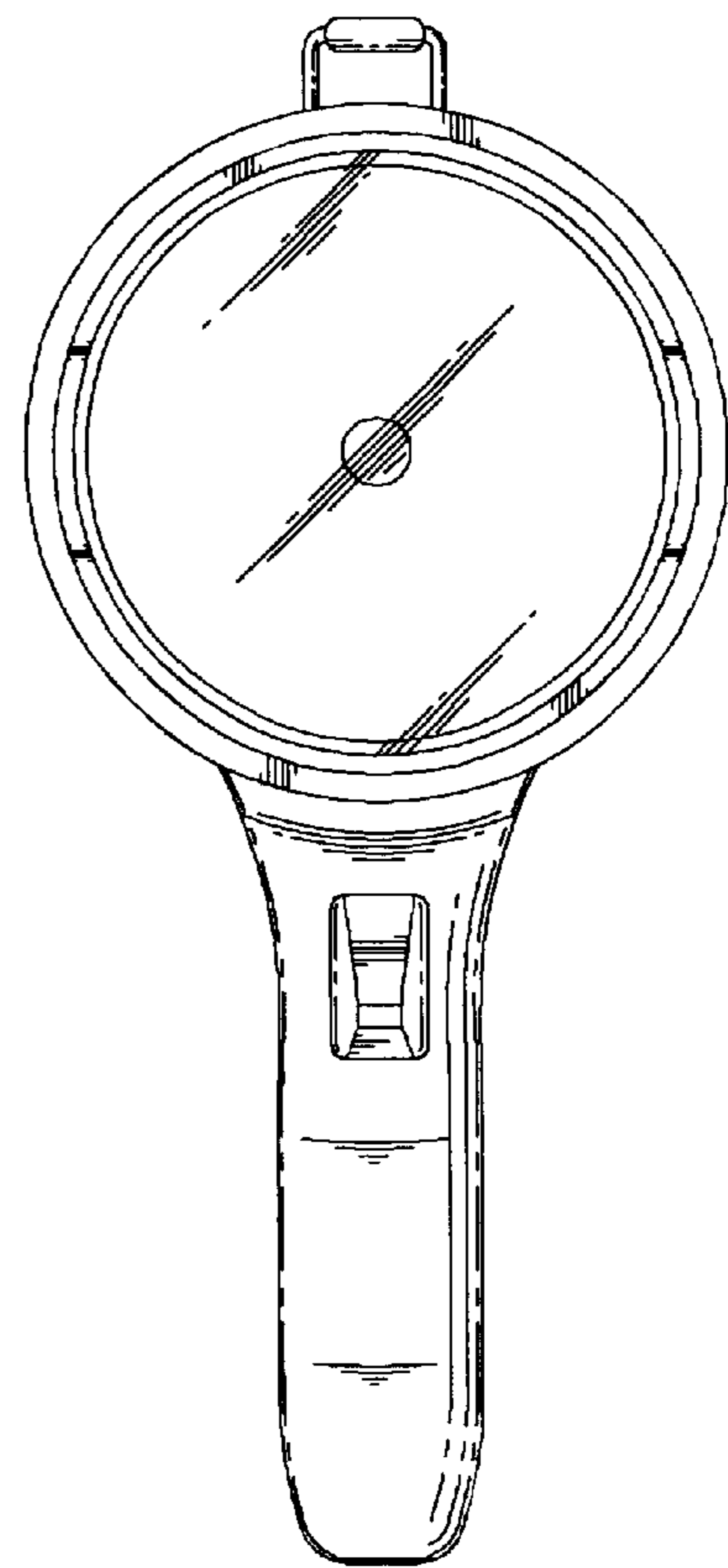


FIG. 2

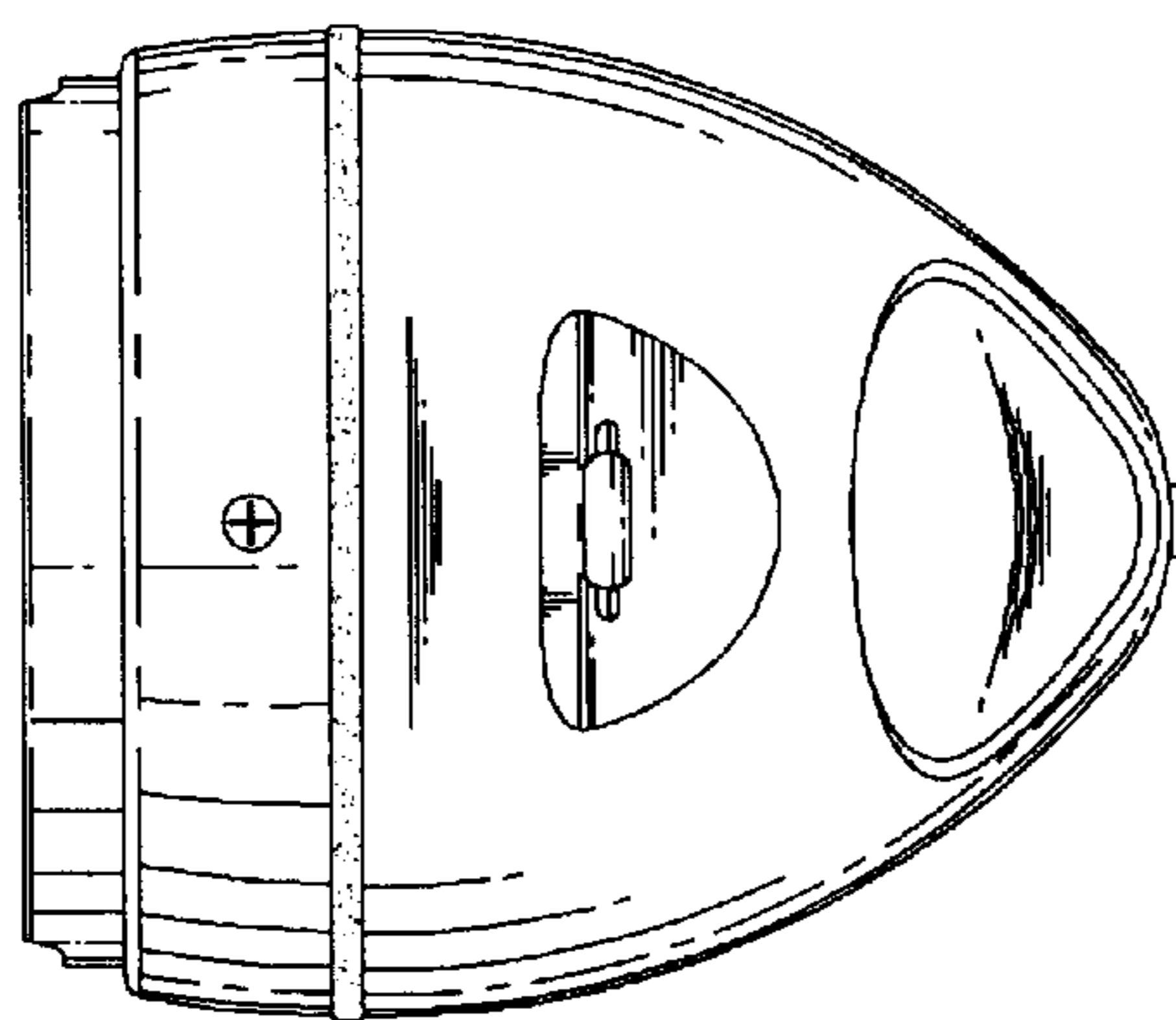


FIG. 3

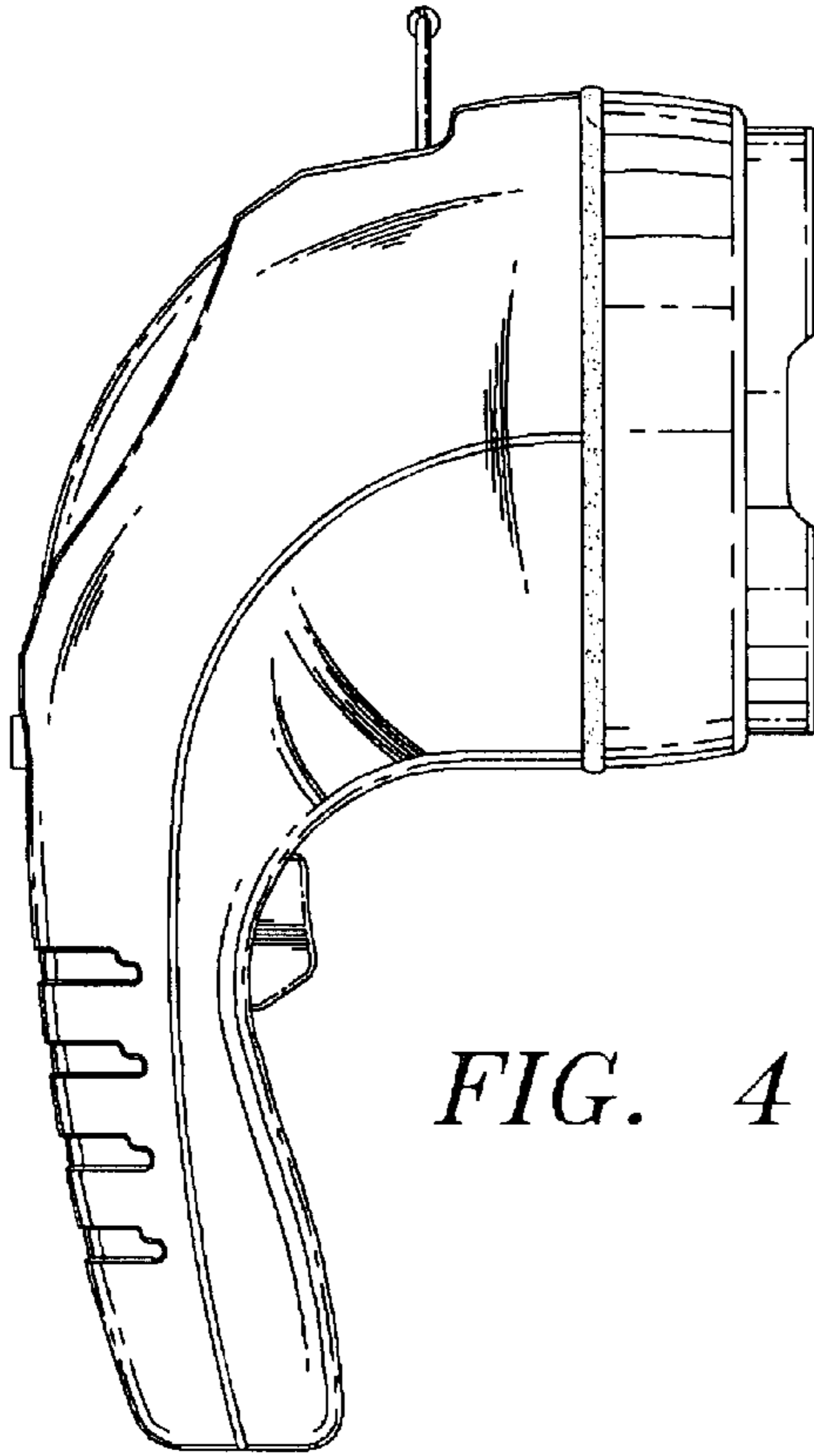


FIG. 4

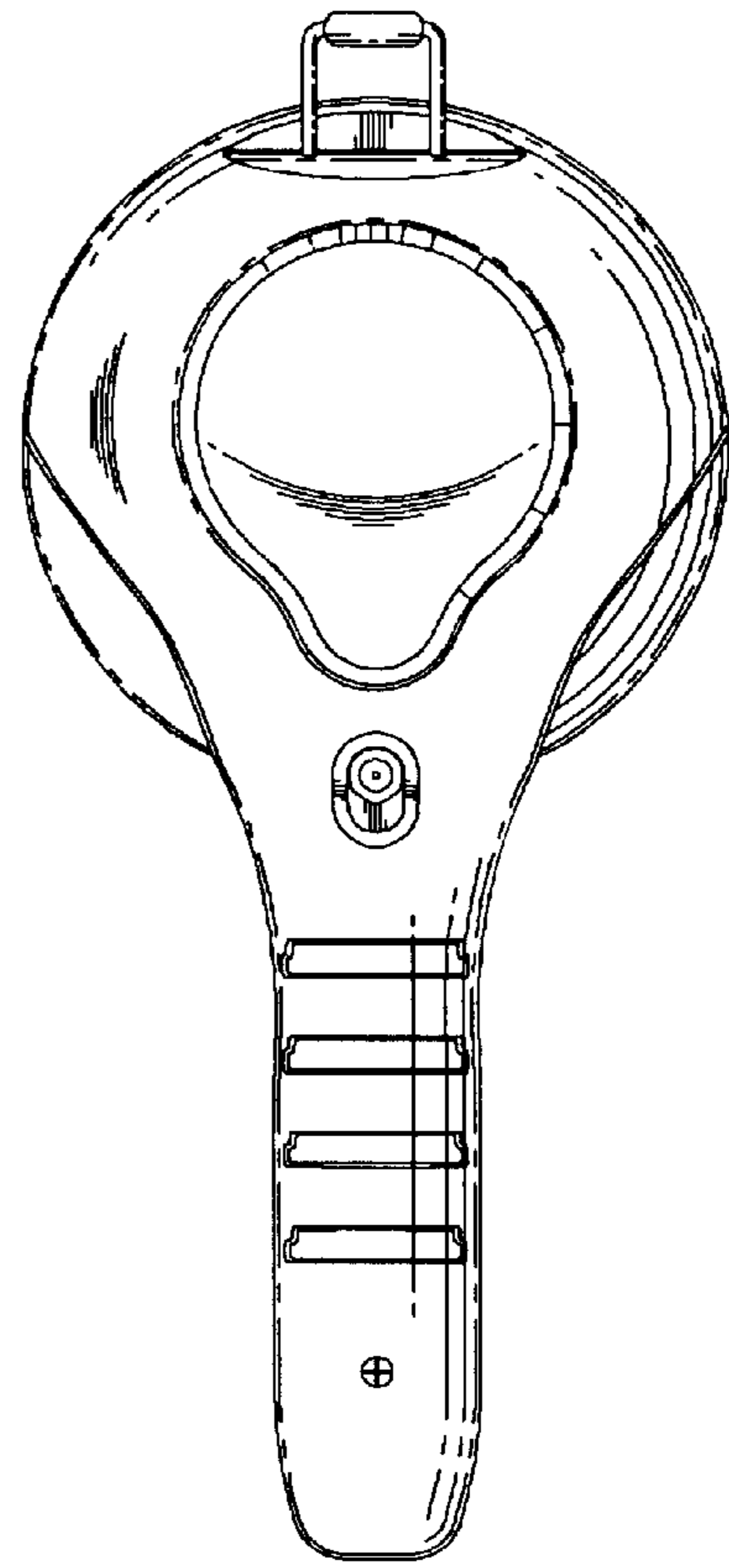


FIG. 5

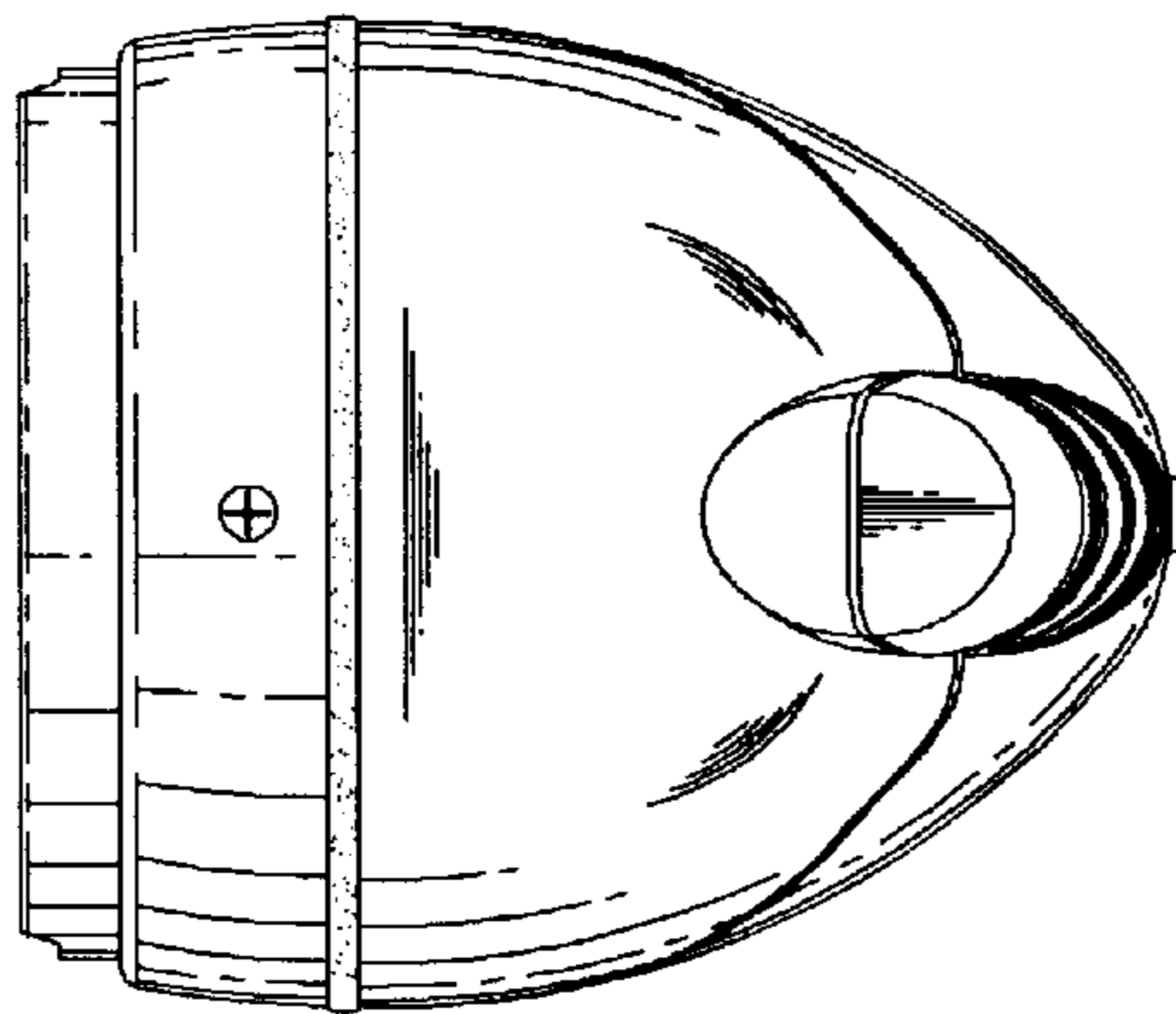


FIG. 6