



US00D461261S

(12) **United States Design Patent**
Zhou

(10) **Patent No.:** **US D461,261 S**

(45) **Date of Patent:** **** Aug. 6, 2002**

(54) **DOUBLE LAMP TUBE ASSEMBLY**

(76) Inventor: **Shewen Zhou**, 6907 NW. 82nd Ave.,
Miami, FL (US) 33166

(**) Term: **14 Years**

(21) Appl. No.: **29/143,203**

(22) Filed: **Jun. 8, 2001**

(51) **LOC (7) Cl.** **26-02**

(52) **U.S. Cl.** **D26/3**

(58) **Field of Search** D26/1, 2, 3, 26;
313/313, 315, 317, 318, 493, 634; 315/41,
53, 54, 56, 58, 59, 62, 65, 70, 75; 362/216,
226

(56) **References Cited**

U.S. PATENT DOCUMENTS

D268,954 S * 5/1983 Roche D26/3

D272,098 S * 1/1984 Haraden et al. D26/3

D273,809 S * 5/1984 Chapman et al. D26/3

D362,733 S * 9/1995 Murata D26/3

* cited by examiner

Primary Examiner—Marcus A. Jackson

(74) *Attorney, Agent, or Firm*—J. Sanchelima; A. Bordas

(57) **CLAIM**

The ornamental design for double lamp tube assembly, as shown and described.

DESCRIPTION

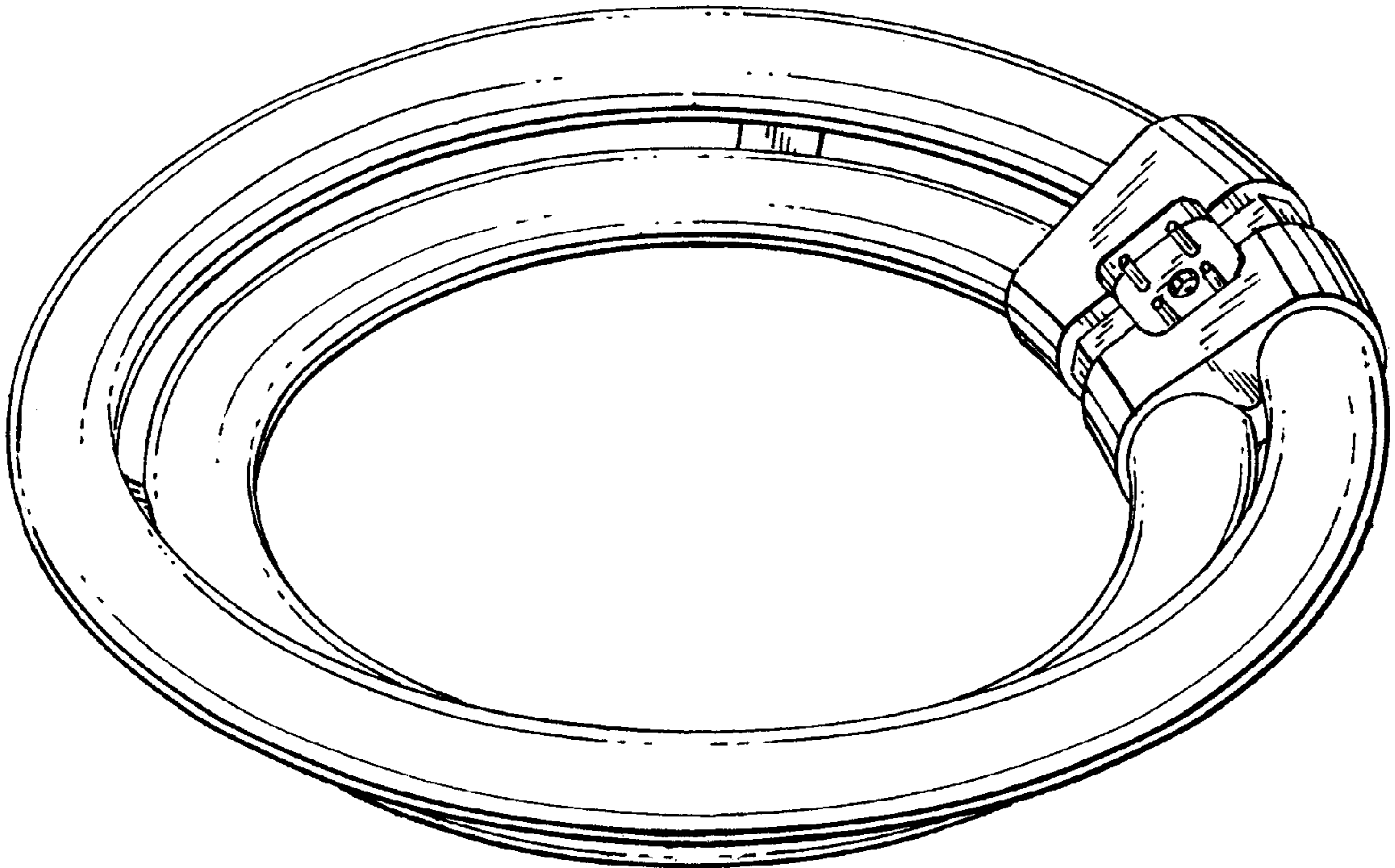
FIG. 1 is a top plan view of a double lamp tube assembly showing my new design;

FIG. 2 is a front elevational view thereof;

FIG. 3 is a bottom plan view thereof; and,

FIG. 4 is an isometric view showing my design.

1 Claim, 2 Drawing Sheets



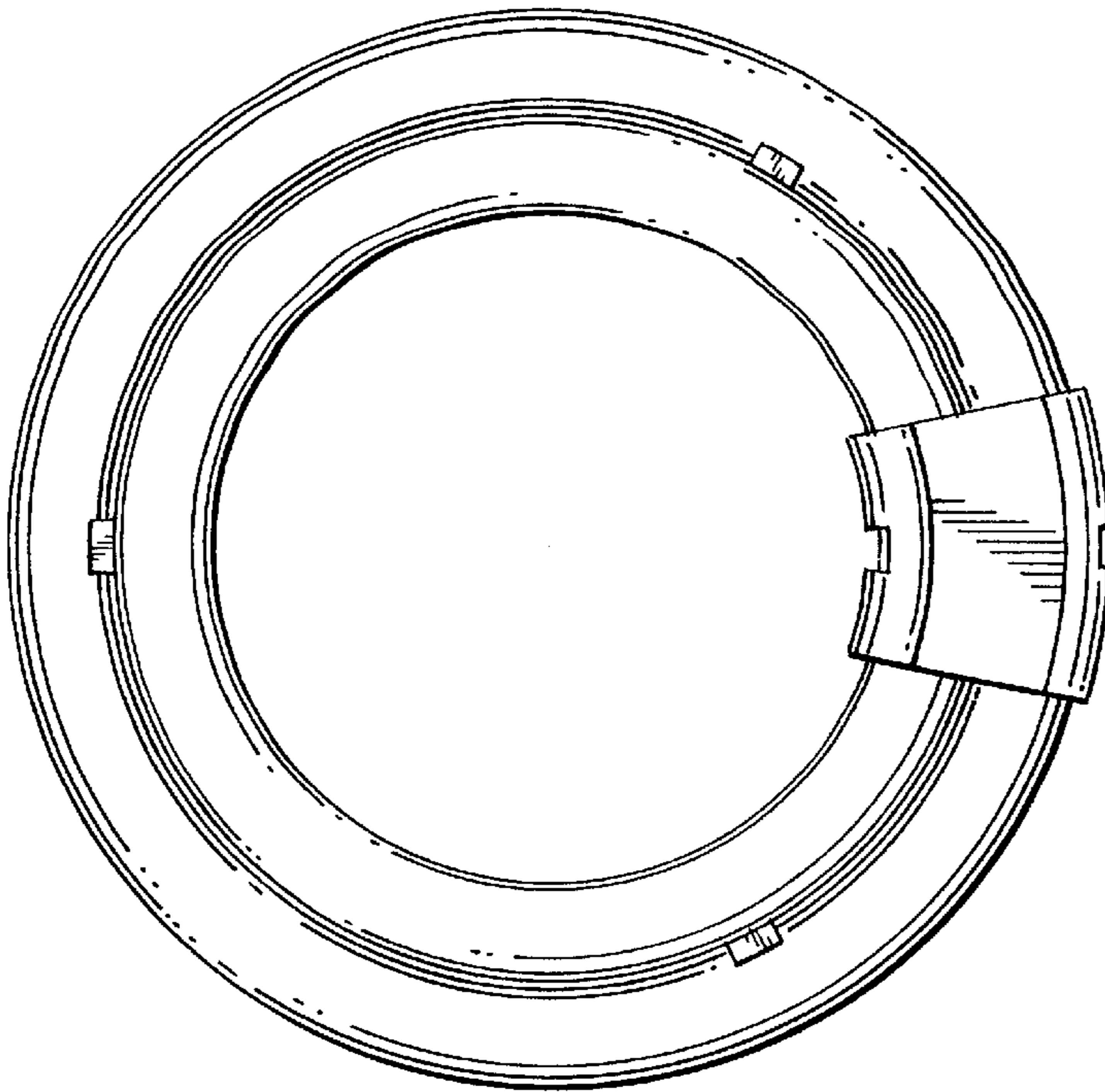


FIG. 1.

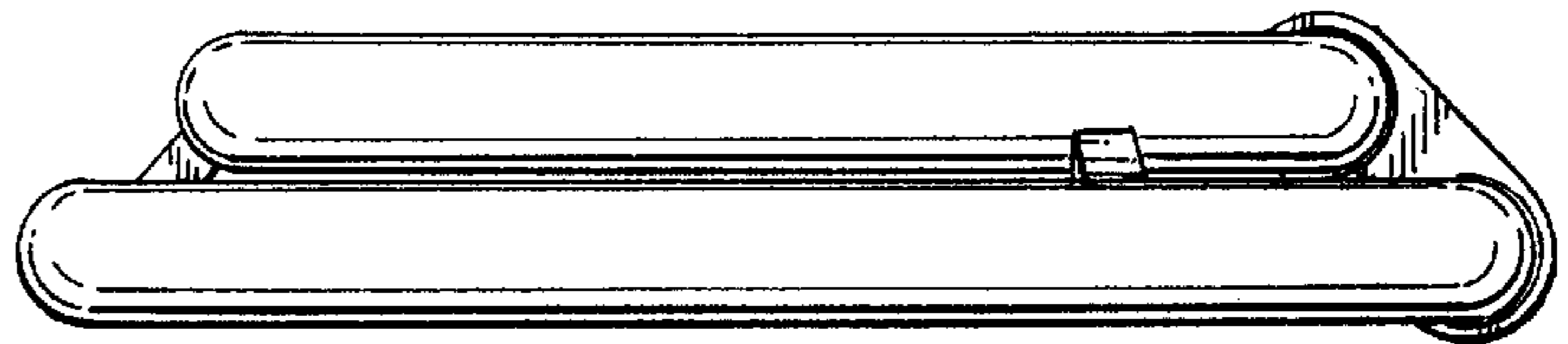


FIG. 2.

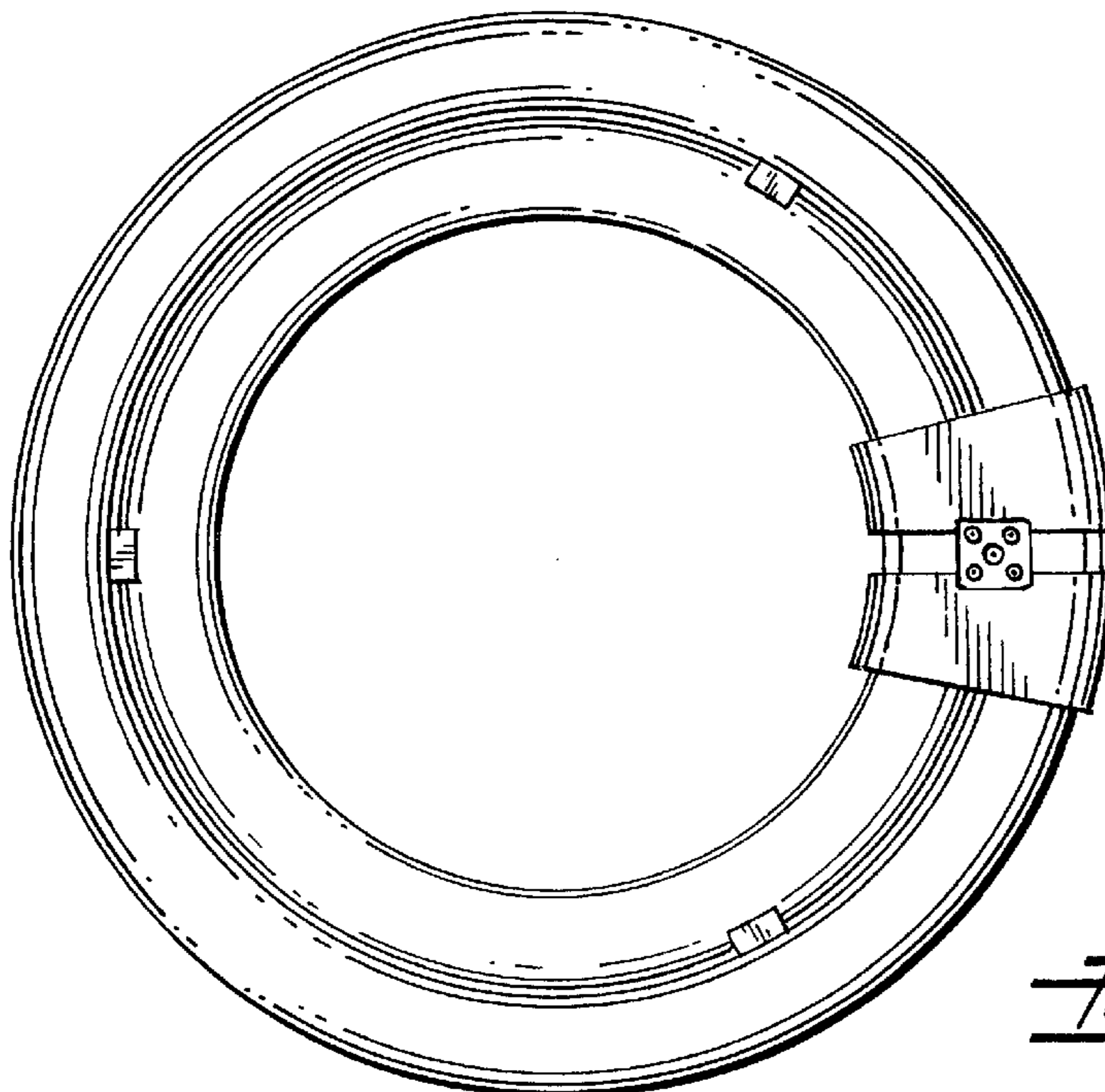


FIG. 3.

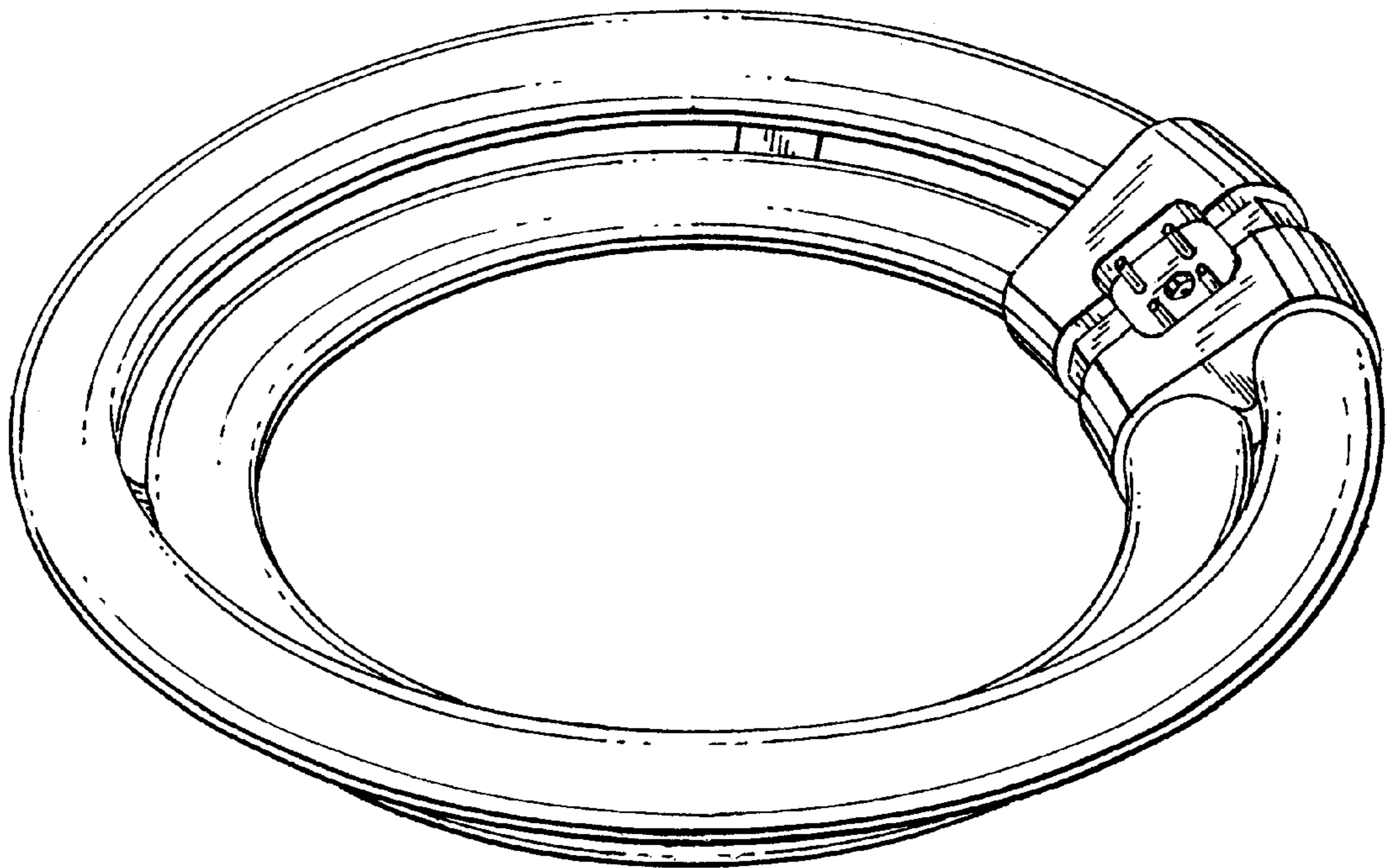


FIG. 4.