



US00D461260S

(12) **United States Design Patent**
Sundhar

(10) **Patent No.:** **US D461,260 S**

(45) **Date of Patent:** **** Aug. 6, 2002**

(54) **LIGHT BULB DEVICE**

D427,334 S * 6/2000 Ho D26/2
D432,685 S * 10/2000 Yim D26/2

(75) Inventor: **Shaam P. Sundhar**, Princeton, NJ (US)

* cited by examiner

(73) Assignee: **Energy Wise, LLC**, Greenwich, CT (US)

Primary Examiner—Marcus A. Jackson

(**) Term: **14 Years**

(57) **CLAIM**

(21) Appl. No.: **29/147,503**

The ornamental design for a light bulb device, as shown and described.

(22) Filed: **Aug. 31, 2001**

DESCRIPTION

(51) **LOC (7) Cl.** **26-06**

(52) **U.S. Cl.** **D26/2**

(58) **Field of Search** D26/1, 2, 3, 4,
D26/26; 313/313, 315, 318, 493; 315/52,
56, 57

FIG. 1 is a front elevational view of a light bulb device showing our new design;

FIG. 2 is a rear elevational view;

FIG. 3 is a top plan view;

FIG. 4 is a left side elevational view;

FIG. 5 is a right side elevational view;

FIG. 6 is a bottom plan view; and,

FIG. 7 is an exploded perspective view.

(56) **References Cited**

U.S. PATENT DOCUMENTS

D394,512 S * 5/1998 Vakil D26/2

D420,155 S * 2/2000 Kato et al. D26/2

1 Claim, 3 Drawing Sheets

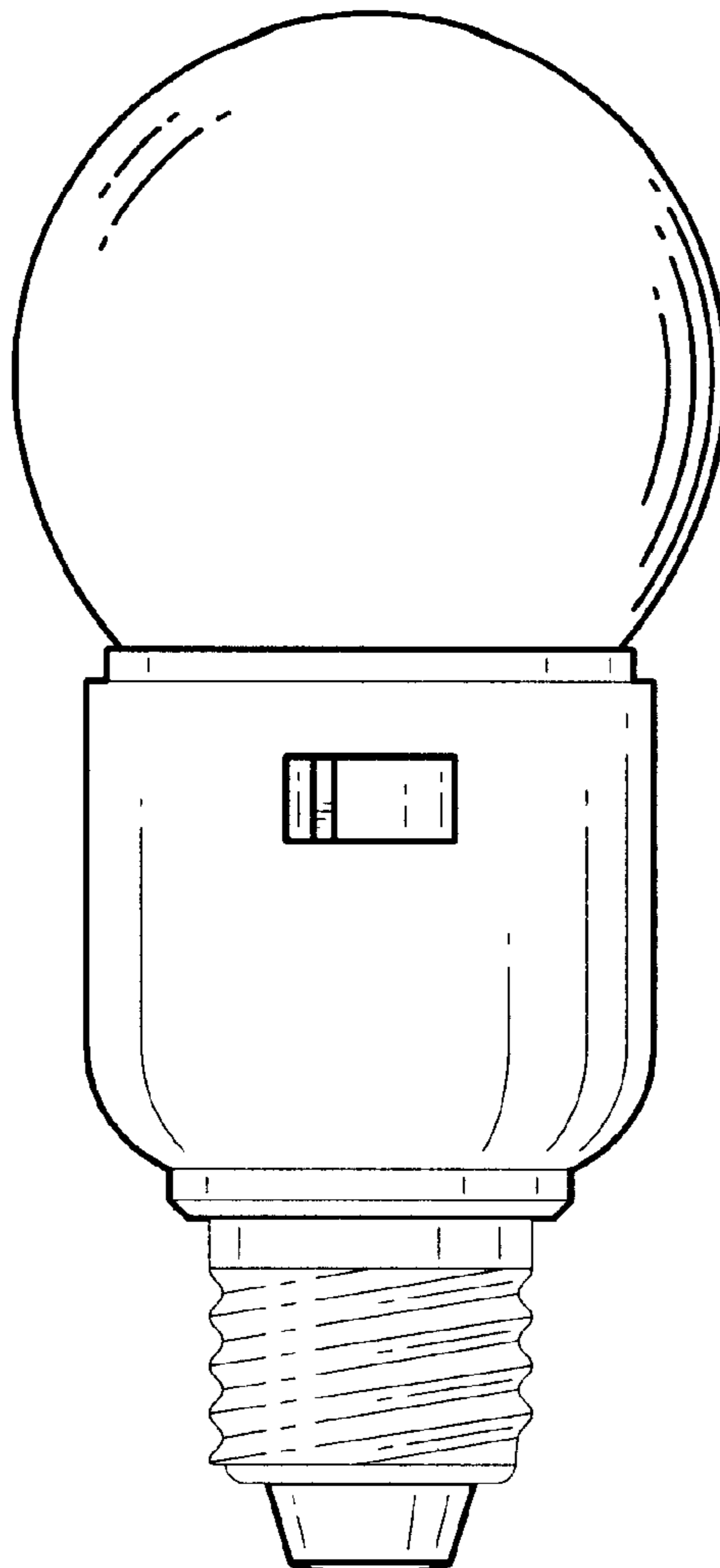


Fig. 1

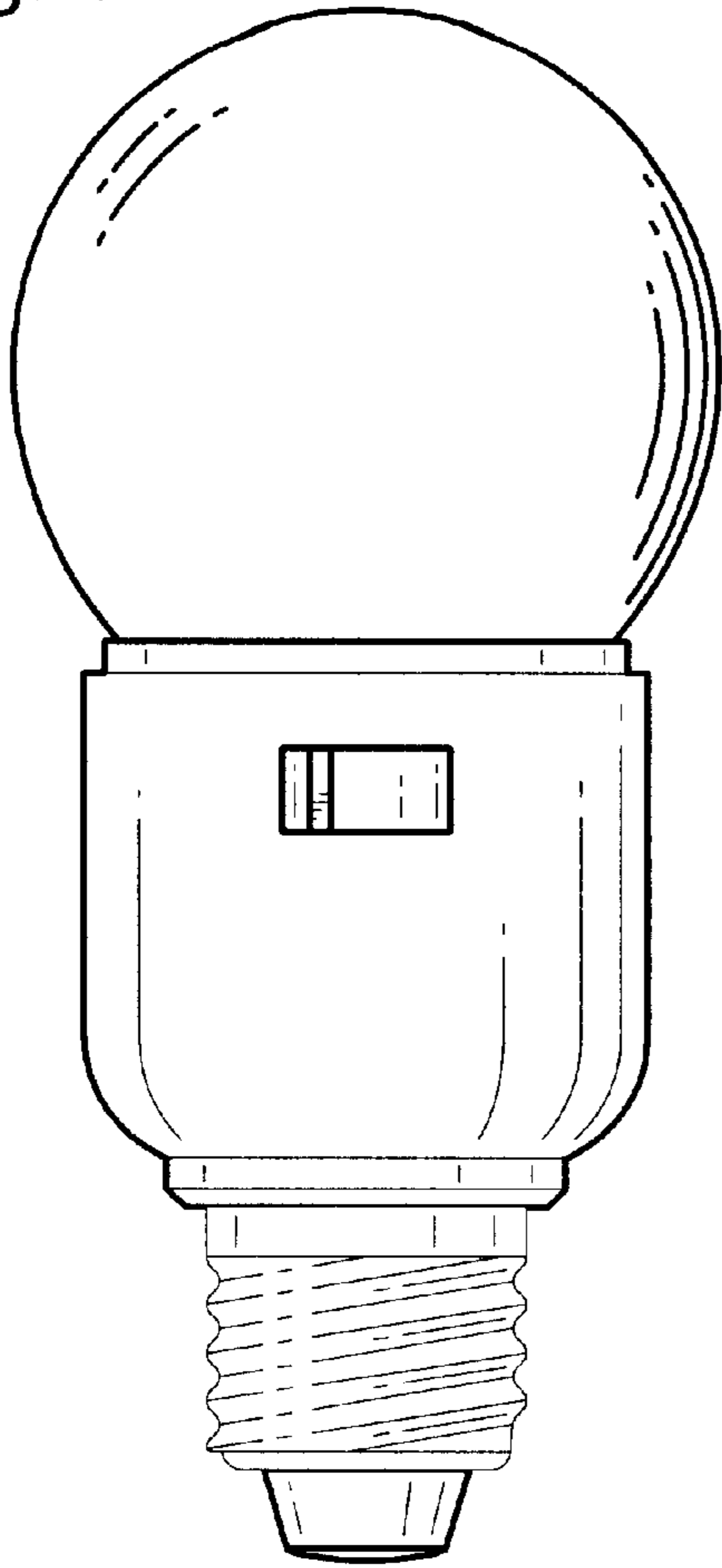


Fig. 2

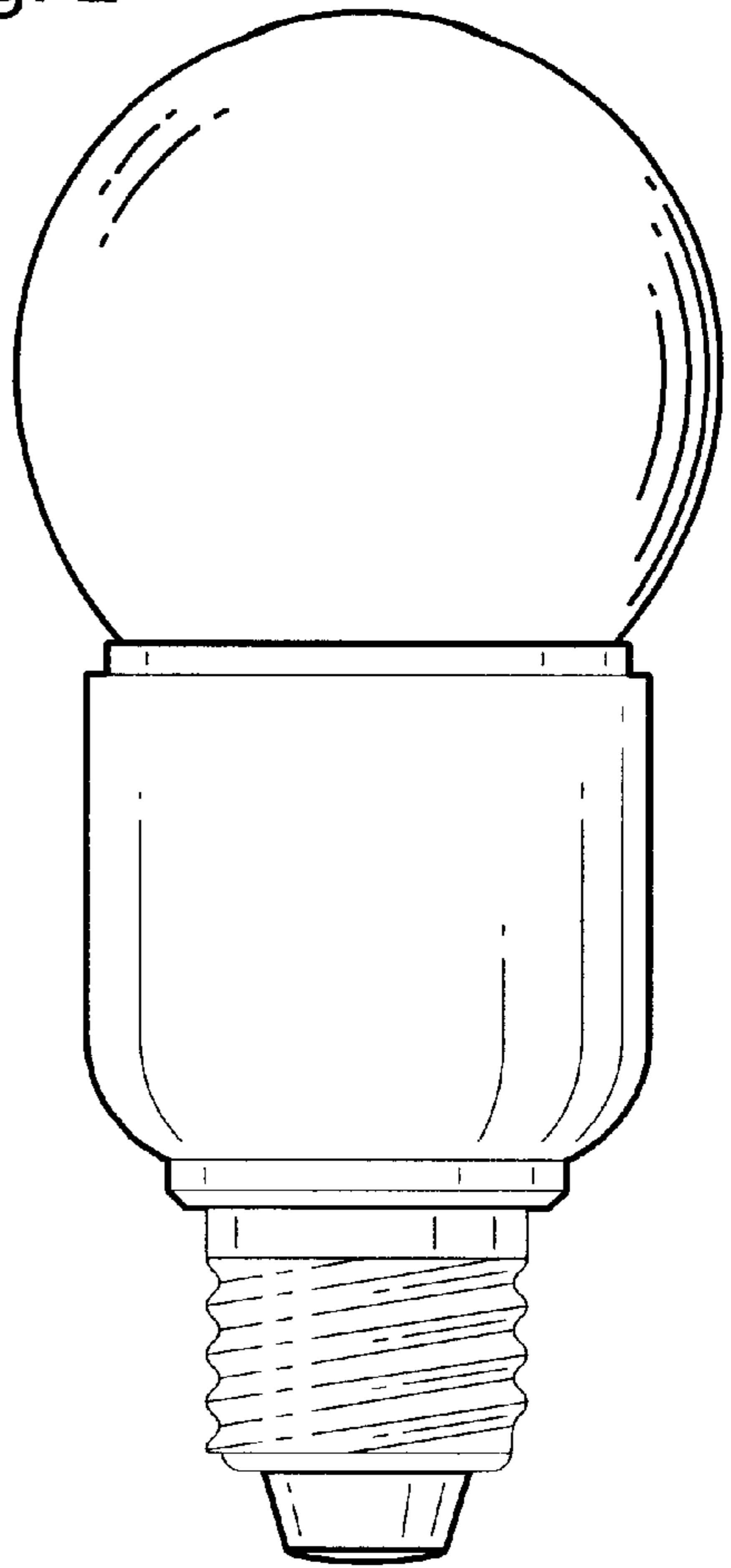


Fig. 3

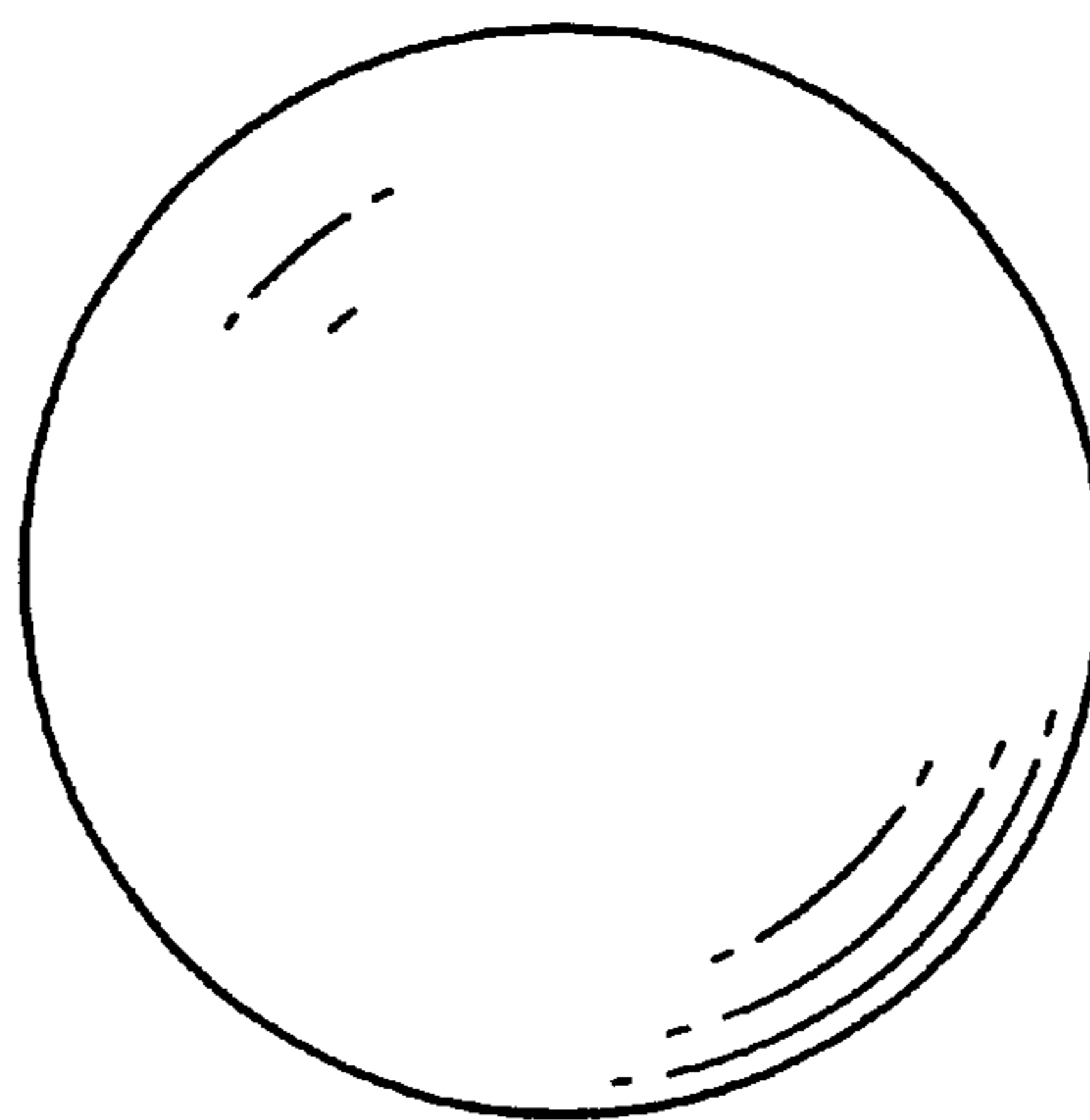


Fig. 4

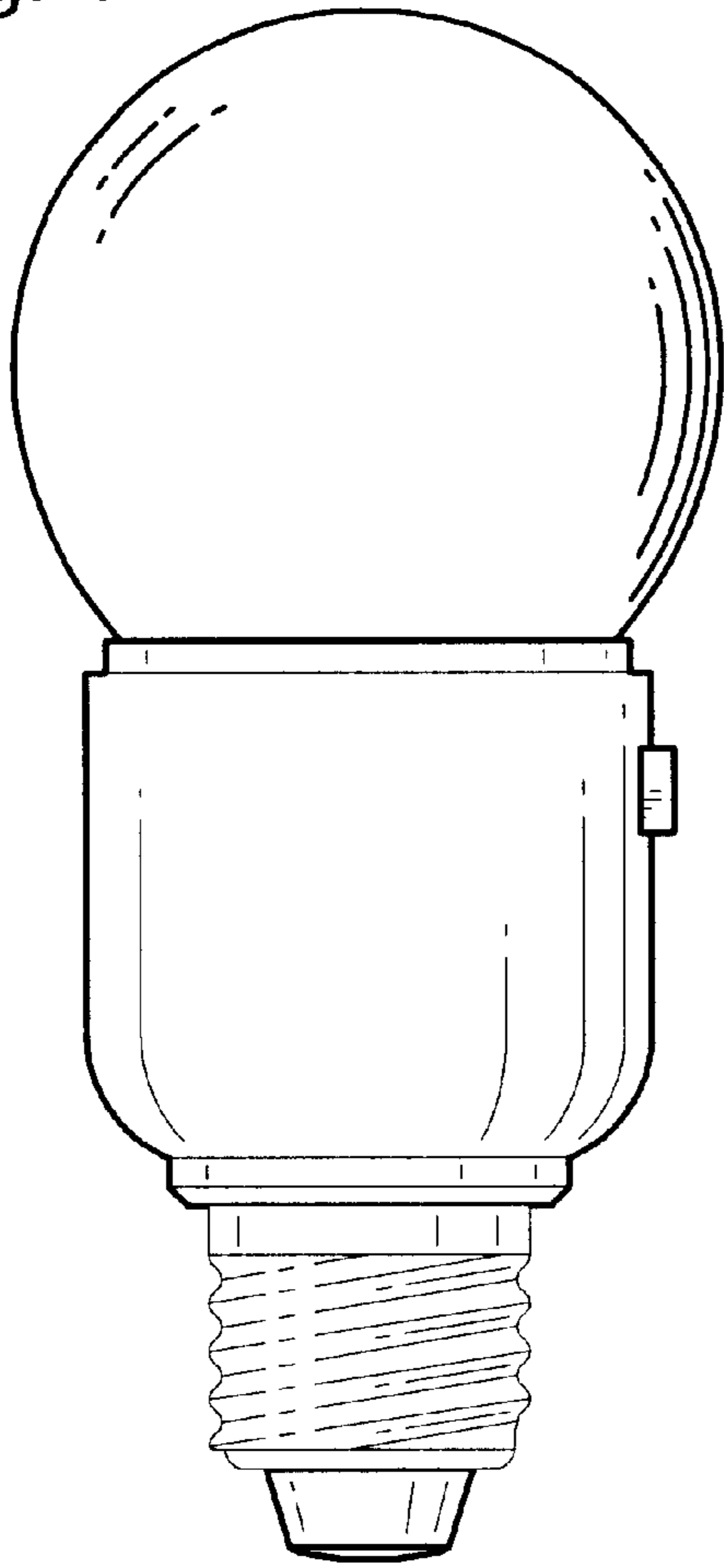


Fig. 5

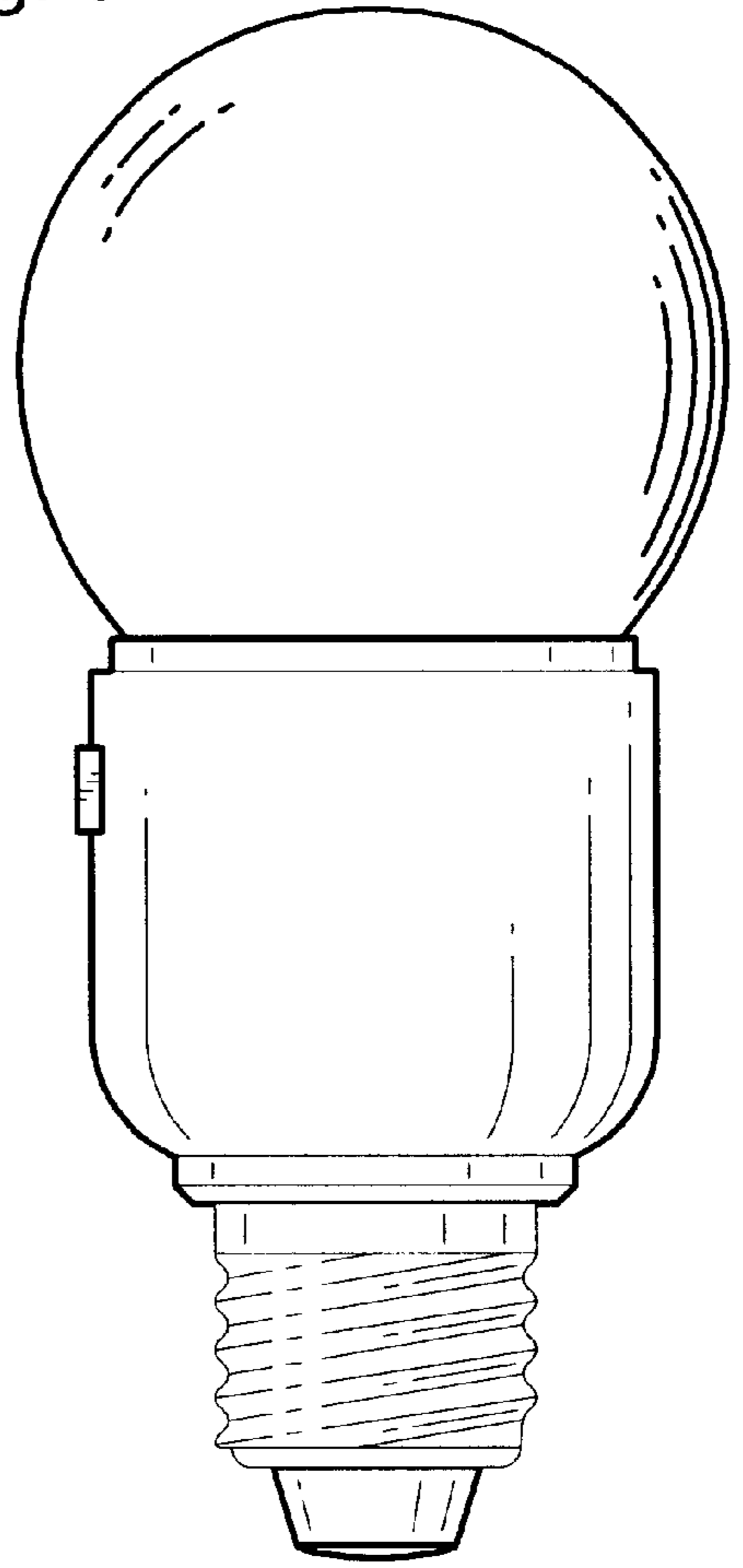


Fig. 6

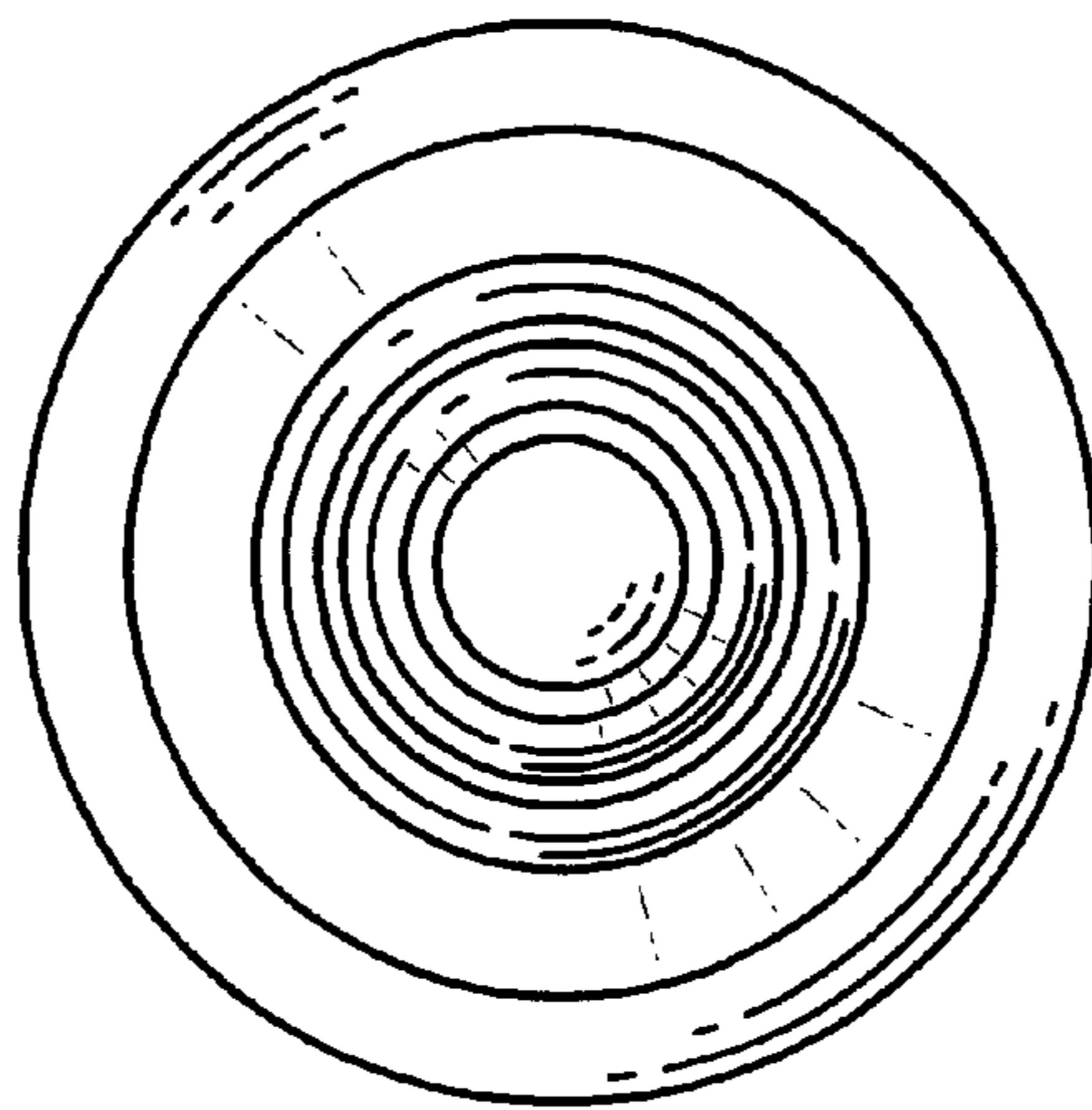


Fig. 7

