



US00D461258S

(12) **United States Design Patent**  
**Ballard et al.**

(10) **Patent No.:** **US D461,258 S**

(45) **Date of Patent:** **\*\* Aug. 6, 2002**

(54) **WINDOW COMPONENT EXTRUSION**

D384,425 S \* 9/1997 Goss et al. .... D25/124

(75) Inventors: **Christopher R. Ballard; Jonathan C. Hauberg**, both of Beaver creek, OH (US)

\* cited by examiner

(73) Assignee: **Dayton Technologies, L.L.C.**, Monroe, OH (US)

*Primary Examiner*—Doris Clark

(74) *Attorney, Agent, or Firm*—Jacox, Meckstroth & Jenkins

(\*\*) Term: **14 Years**

(57) **CLAIM**

(21) Appl. No.: **29/147,208**

The ornamental design of a window component extrusion, as shown and described.

(22) Filed: **Aug. 24, 2001**

(51) **LOC (7) Cl.** ..... **25-01**

(52) **U.S. Cl.** ..... **D25/124**

(58) **Field of Search** ..... 52/204.5, 204.55, 52/204.56, 204.597, 204.6, 204.61, 204.63, 204.71, 656.7, 656.2, 656.5; 49/504, 505; D25/124, 125

**DESCRIPTION**

FIG. 1 is a perspective view of a window component extrusion, showing our new design, with a middle portion broken away to disclose indefinite length; and,

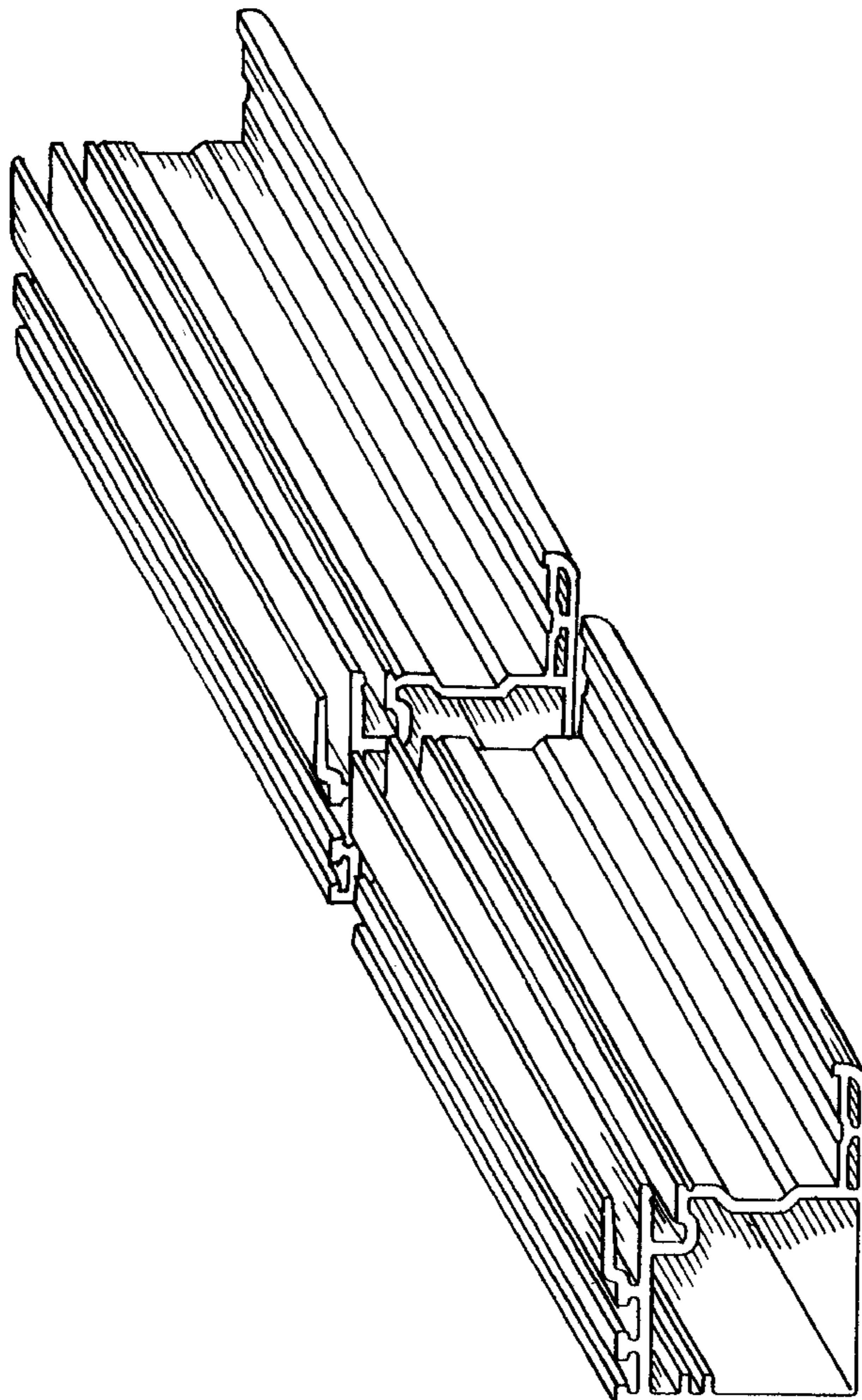
FIG. 2 is an end view thereof, the opposite end view being a mirror image.

(56) **References Cited**

**U.S. PATENT DOCUMENTS**

D364,473 S \* 11/1995 Goss, Jr. .... D25/124

**1 Claim, 1 Drawing Sheet**



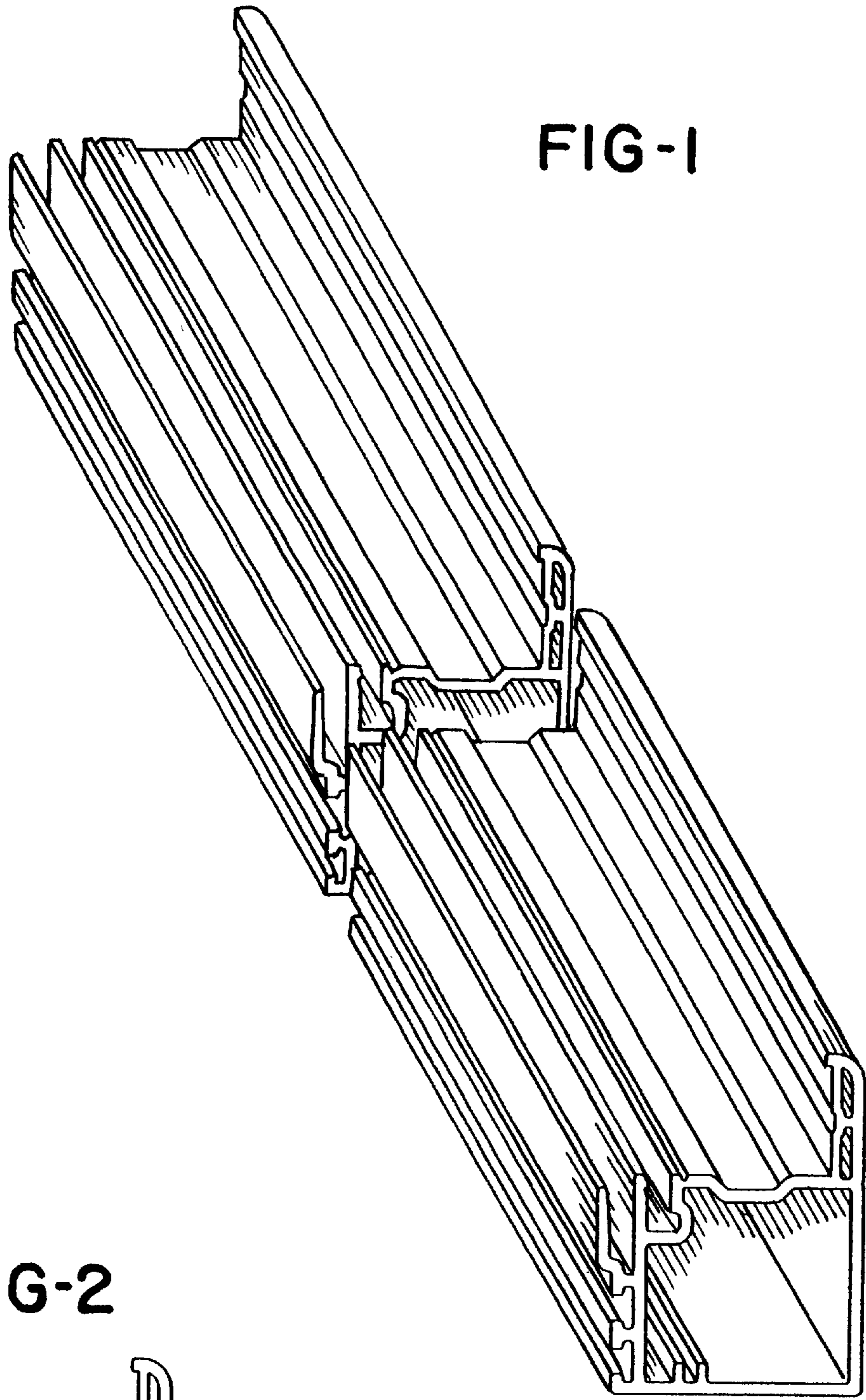


FIG-1

FIG-2

