



US00D461255S

(12) **United States Design Patent**
Ballard et al.

(10) **Patent No.:** **US D461,255 S**

(45) **Date of Patent:** **** Aug. 6, 2002**

(54) **WINDOW COMPONENT EXTRUSION**

(56) **References Cited**

U.S. PATENT DOCUMENTS

(75) **Inventors:** **Christopher R. Ballard; Jonathan C. Hauberg**, both of **Beavercreek, OH (US)**

D402,061 S * 12/1998 Leonelli D25/124

* cited by examiner

Primary Examiner—Doris Clark

(73) **Assignee:** **Dayton Technologies, L.L.C.**, **Monroe, OH (US)**

(74) *Attorney, Agent, or Firm*—**Jacox, Meckstroth & Jenkins**

(**) **Term:** **14 Years**

(57) **CLAIM**

The ornamental design of a window component extrusion, as shown and described.

(21) **Appl. No.:** **29/147,190**

DESCRIPTION

(22) **Filed:** **Aug. 24, 2001**

FIG. 1 is a perspective view of a window component extrusion, showing our new design, with a middle portion broken away to disclose indefinite length; and,

(51) **LOC (7) Cl.** **25-01**

(52) **U.S. Cl.** **D25/124**

FIG. 2 is an end view thereof, the opposite end view being a mirror image.

(58) **Field of Search** 52/204.5, 204.55, 52/204.56, 204.597, 204.6, 204.61, 204.63, 204.71, 656.7, 656.2, 656.5; 49/504, 505; D25/124, 125

1 Claim, 1 Drawing Sheet

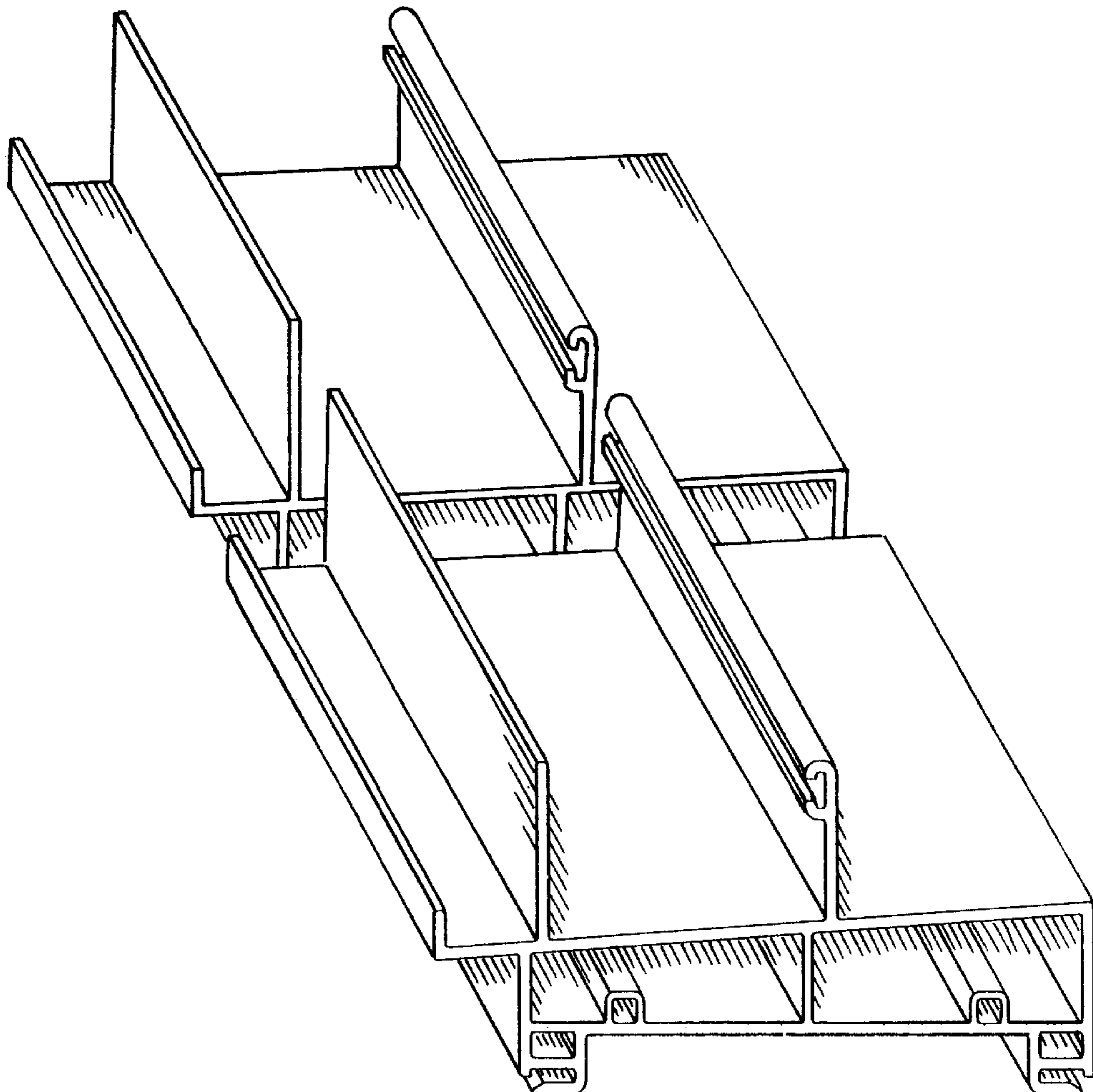


FIG-1

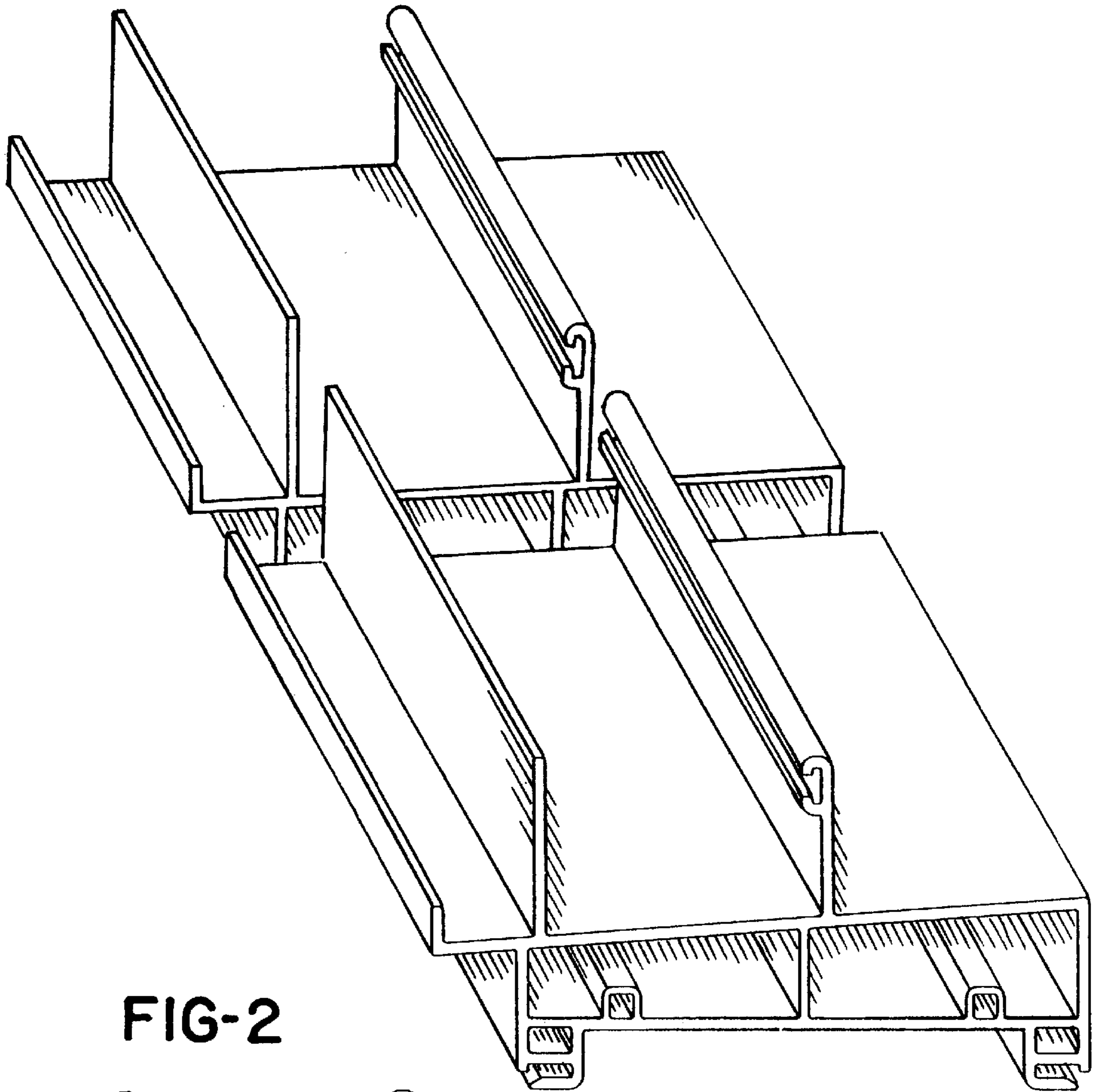


FIG-2

