



US00D461253S

(12) **United States Design Patent**
Peck

(10) **Patent No.:** **US D461,253 S**

(45) **Date of Patent:** **** Aug. 6, 2002**

(54) **VENDING STAND**

(76) **Inventor:** **Robert Peck**, 7125 Brookhill Dr., SLC,
UT (US) 84121

(**) **Term:** **14 Years**

(21) **Appl. No.:** **29/143,840**

(22) **Filed:** **Jun. 19, 2001**

(51) **LOC (7) Cl.** **25-03**

(52) **U.S. Cl.** **D25/16**

(58) **Field of Search** D25/16; 52/36.1

(56) **References Cited**

U.S. PATENT DOCUMENTS

D229,924 S	*	1/1974	Brown	D25/7
D237,379 S	*	10/1975	Bondurant	D25/7
D252,158 S		6/1979	DeWeese	D25/22
D288,609 S		3/1987	Watkins	D25/11
D434,157 S		11/2000	Rupp	D25/31

* cited by examiner

Primary Examiner—Stella Reid

(74) *Attorney, Agent, or Firm*—Lloyd W. Sadler

(57) **CLAIM**

The ornamental design for a vending stand, as shown and described.

DESCRIPTION

FIG. 1 is a perspective view of the front of the vending stand.

FIG. 2 is a perspective view of the rear of the vending stand.

FIG. 3 is a front elevational view thereof.

FIG. 4 is a top plan view thereof.

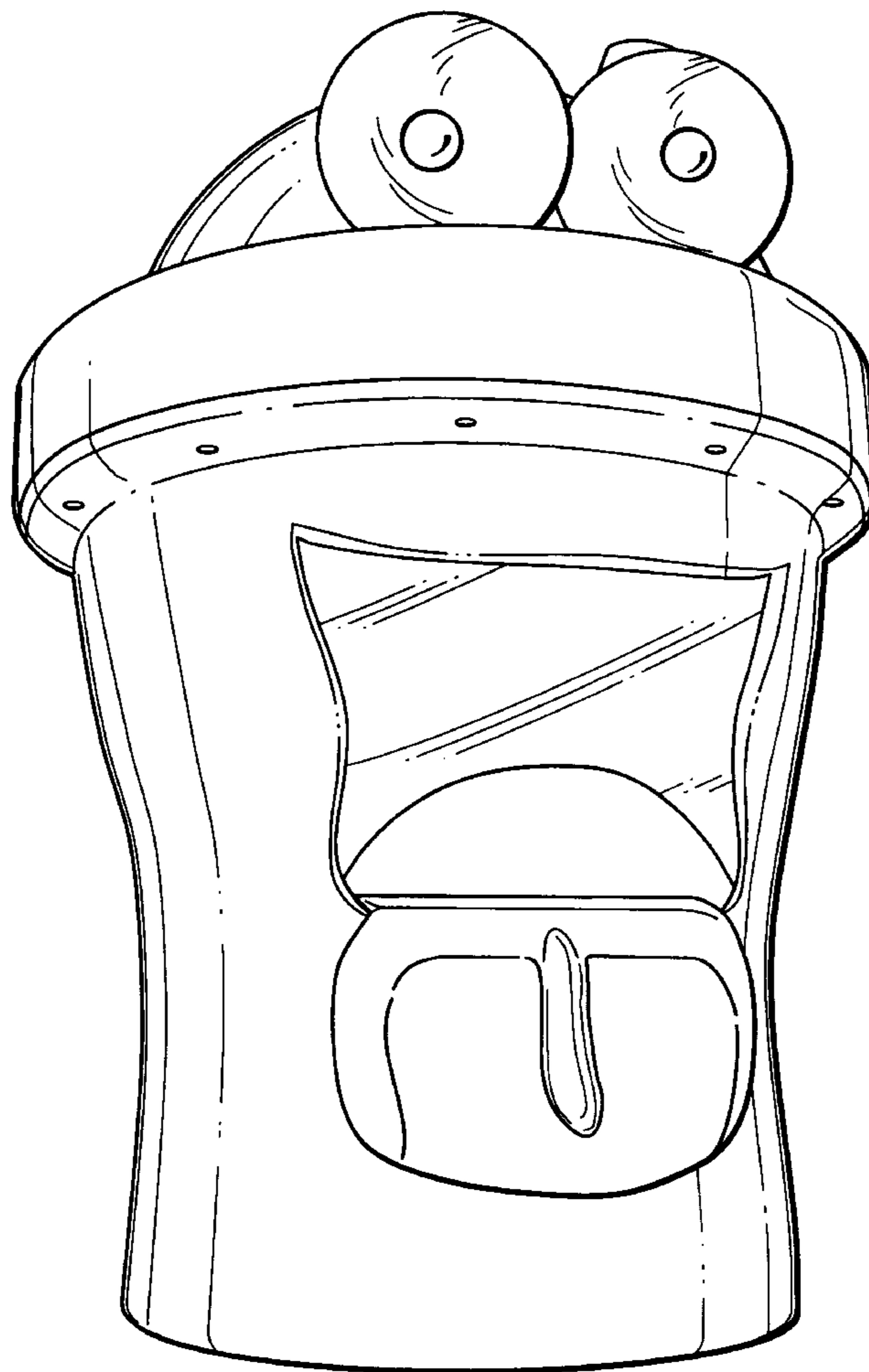
FIG. 5 is a rear elevational view thereof.

FIG. 6 is a bottom plan view thereof.

FIG. 7 is a left side elevation view thereof; and,

FIG. 8 is a right side elevation view thereof.

1 Claim, 5 Drawing Sheets



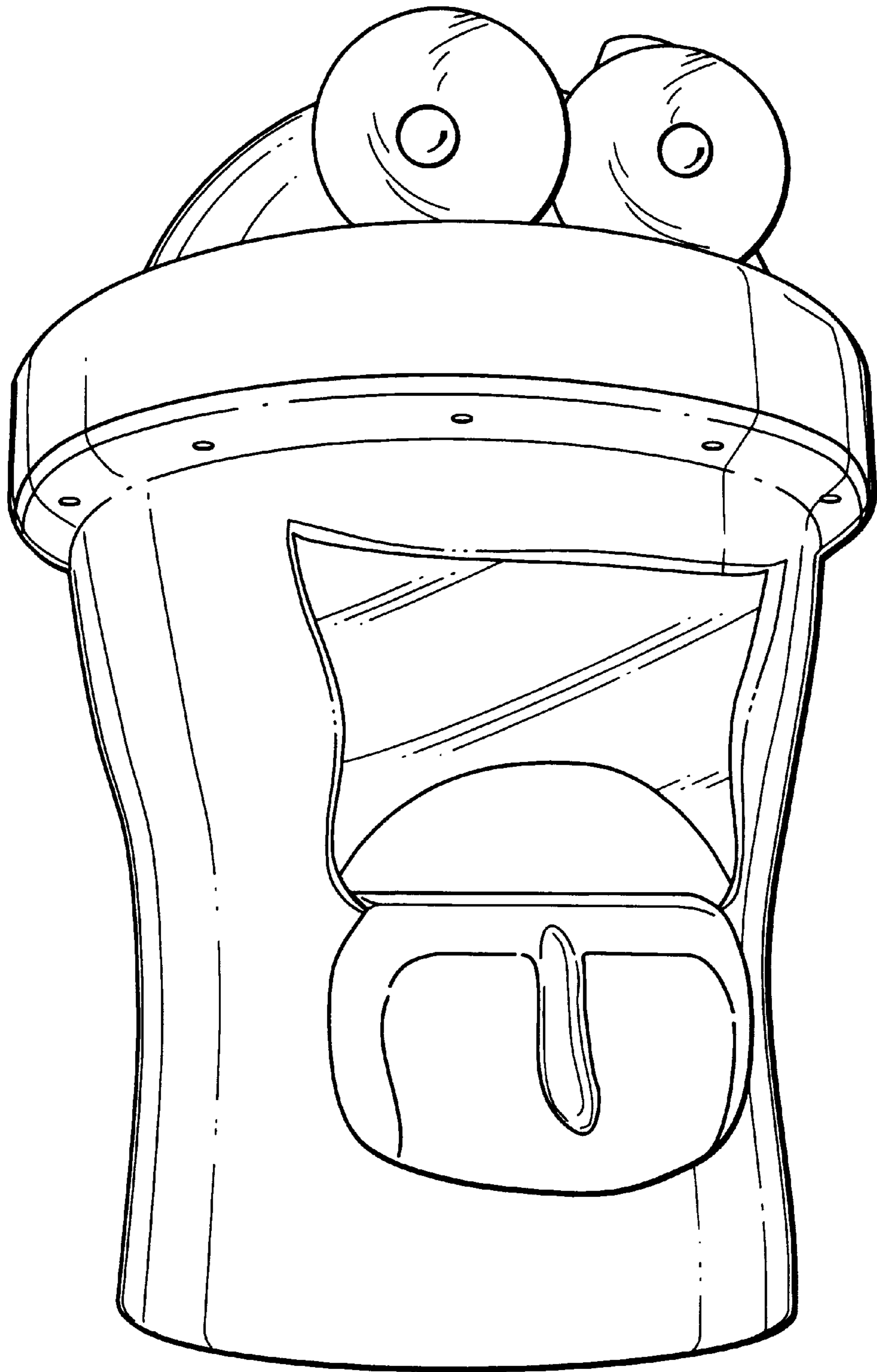


FIG. 1

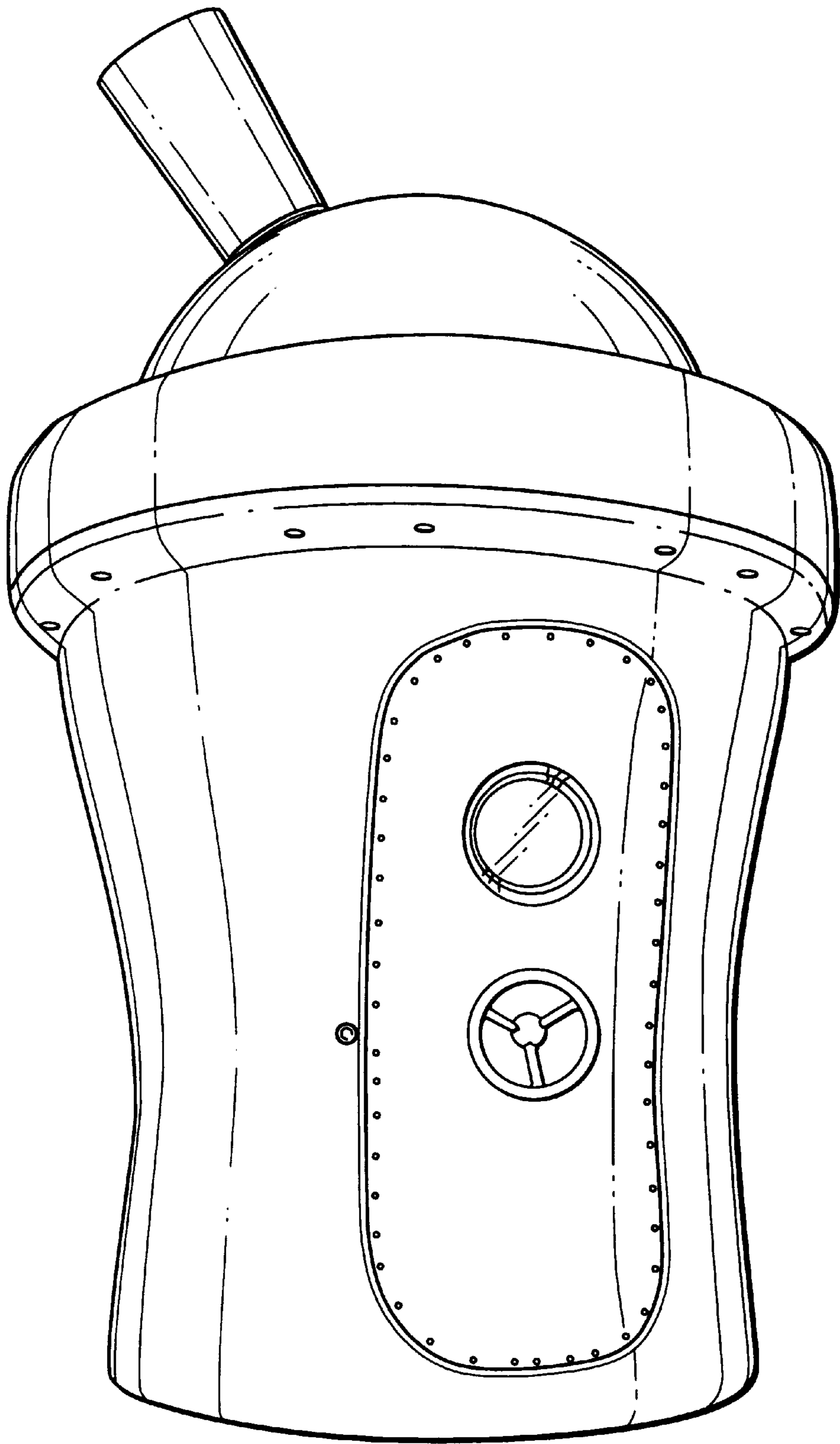


FIG. 2

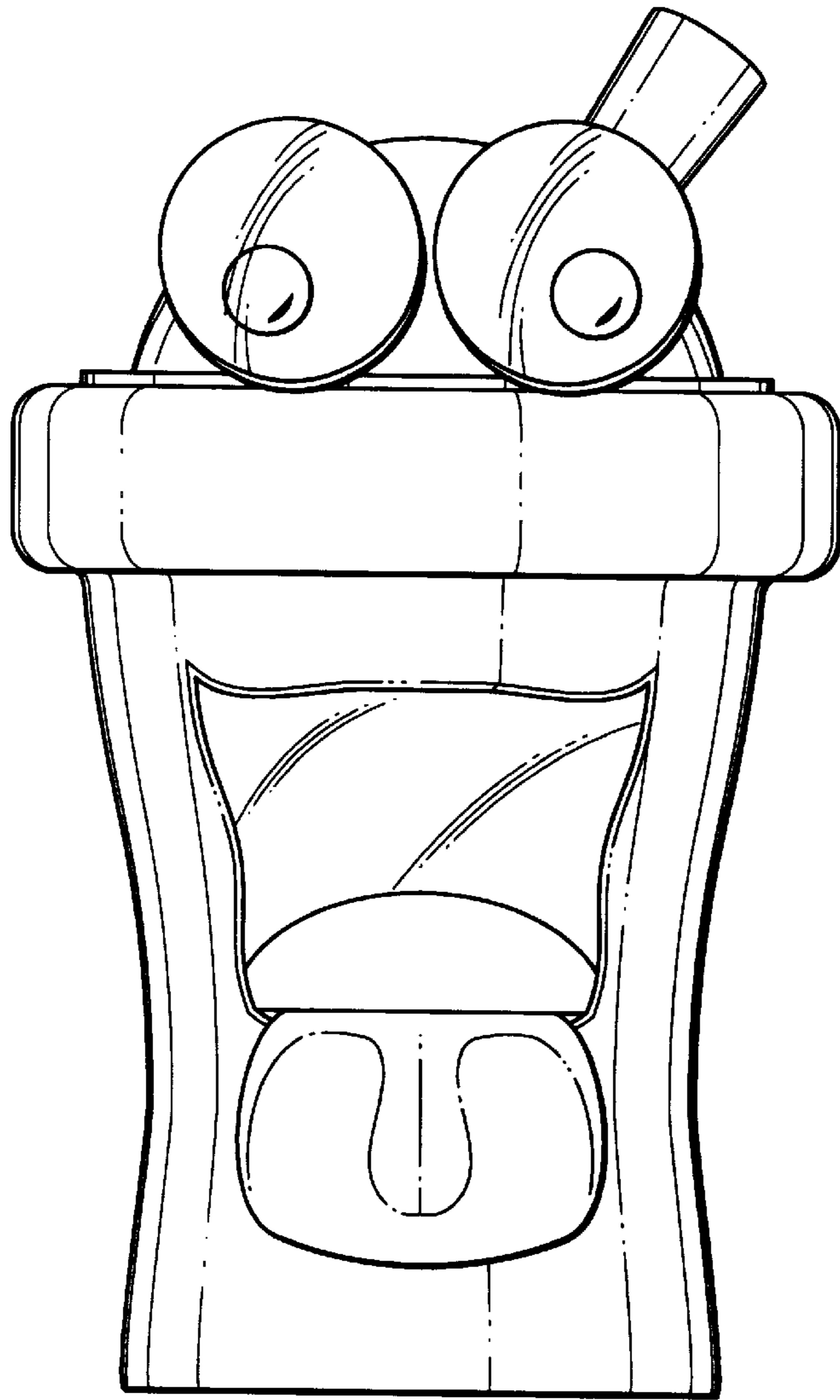


FIG. 3

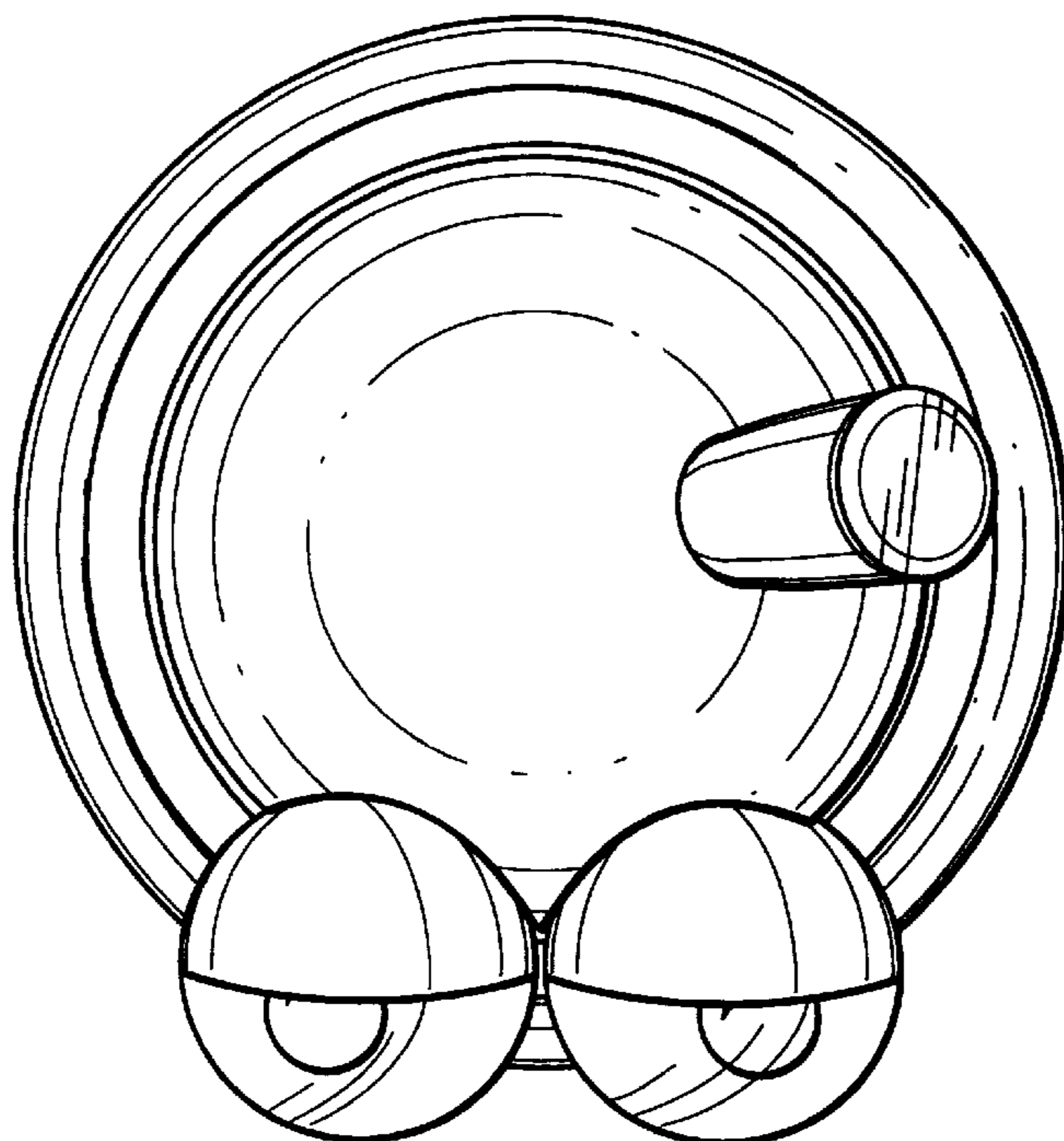


FIG. 4

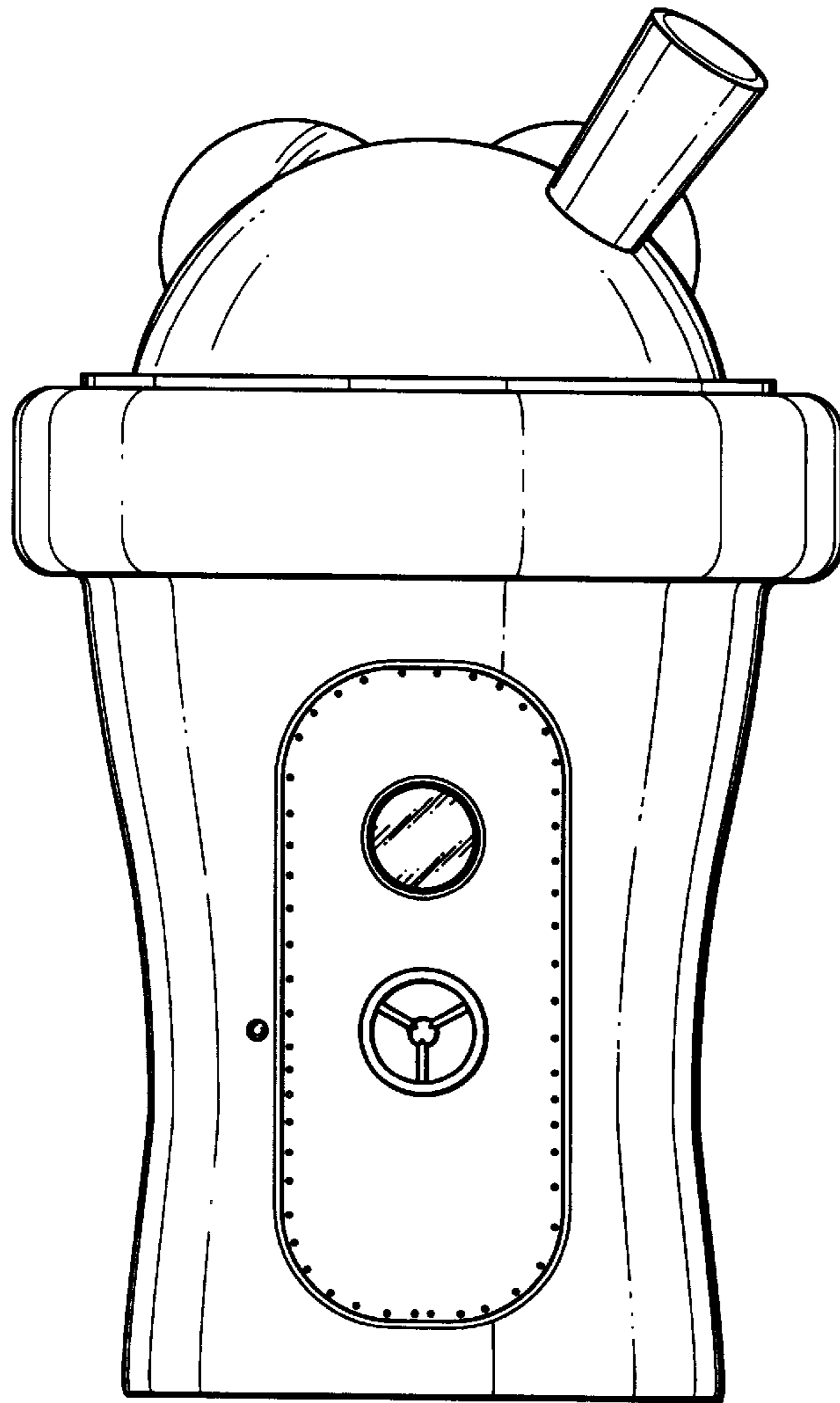


FIG. 5

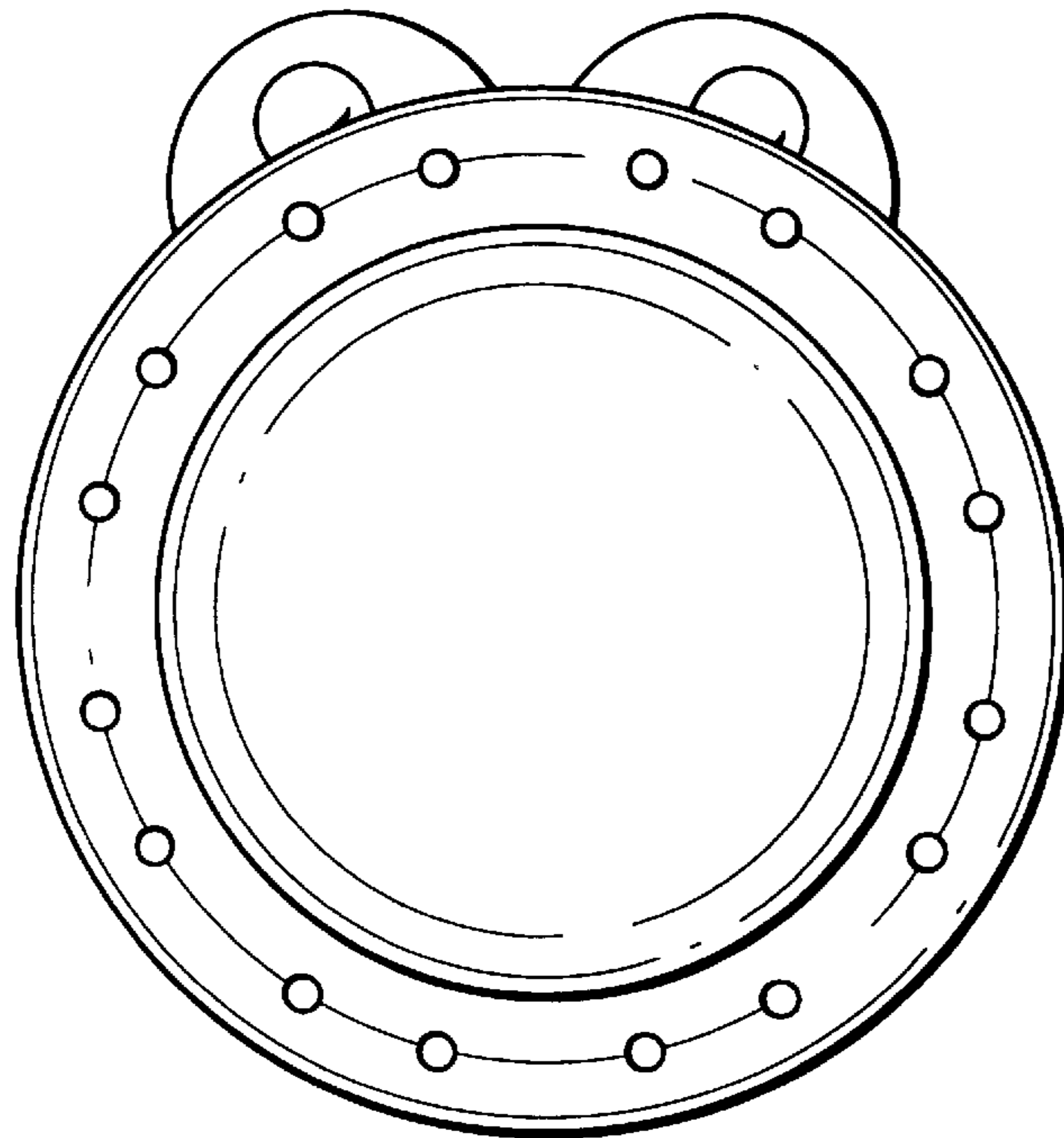


FIG. 6

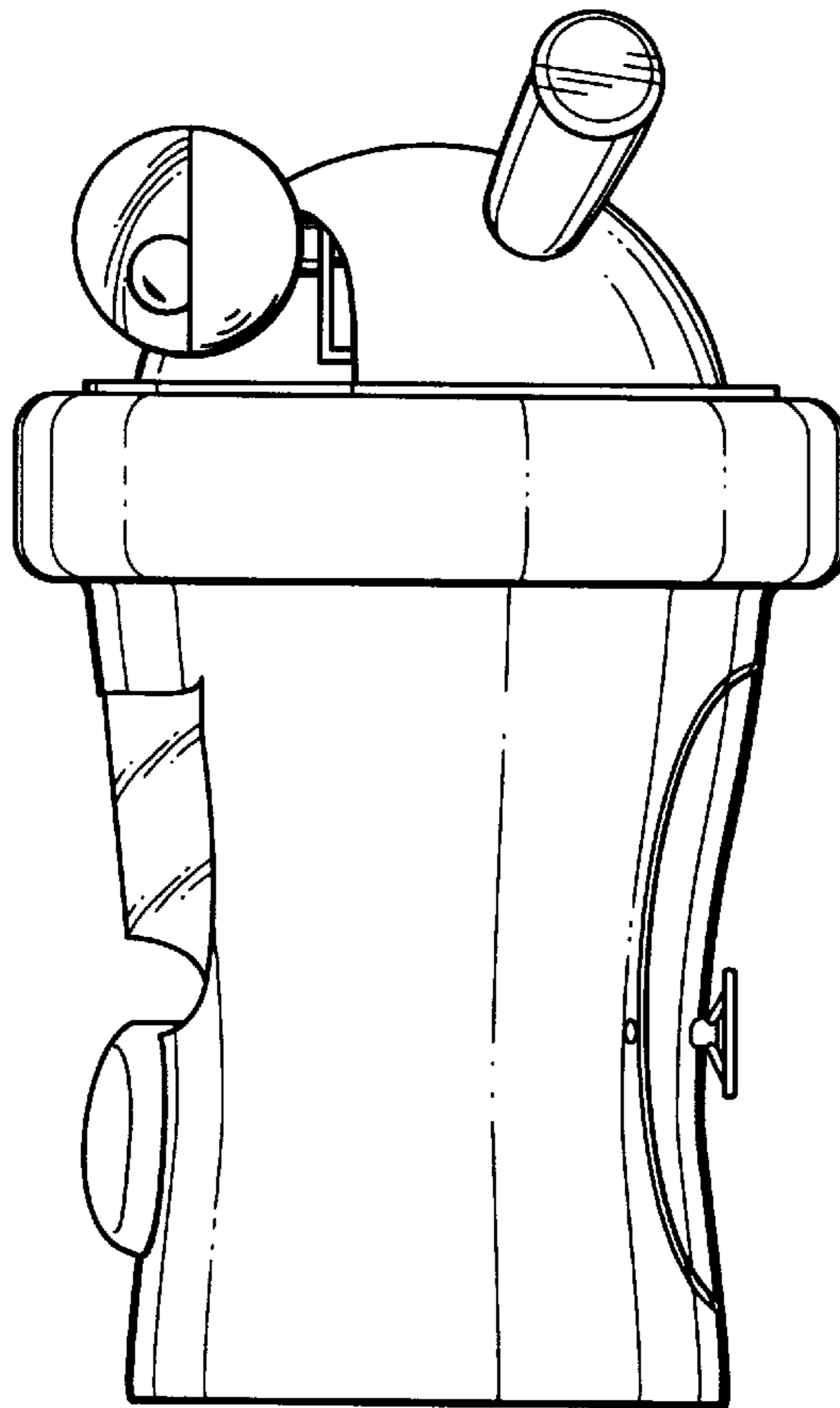


FIG. 7

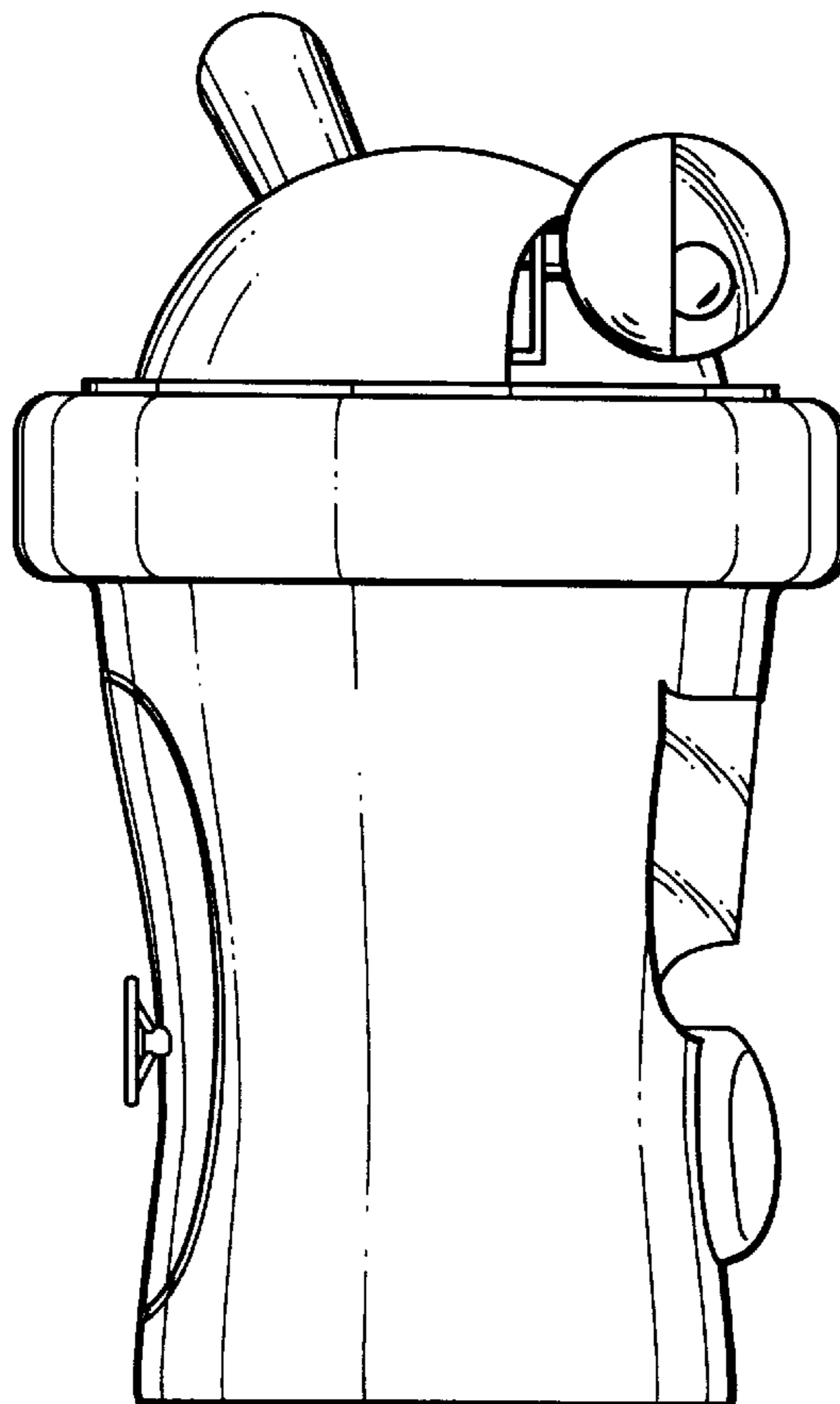


FIG. 8