



US00D461249S

(12) **United States Design Patent**
Tsuzaki et al.

(10) **Patent No.:** **US D461,249 S**
(45) **Date of Patent:** **** Aug. 6, 2002**

(54) **MAGNETIC FIELD GENERATING DEVICE
FOR USE IN MRI**

D386,261 S * 11/1997 Lee et al. D24/159
6,011,393 A * 1/2000 Kaufman et al. 324/318
6,094,590 A * 7/2000 Kan et al. 600/411
D438,619 S 3/2001 Okada et al. 24/158

(75) Inventors: **Tsuyoshi Tsuzaki**, Osaka; **Masaaki Aoki**, Takatsuki; **Hitoshi Yoshino**, Kashiwa; **Masayuki Nakatsu**, Matsudo, all of (JP)

FOREIGN PATENT DOCUMENTS

JP 847567 9/1992
JP 849825-1 1/1993
JP 11-104109 4/1999 A61B/5/55

(73) Assignee: **Sumitomo Special Metals Co. Ltd.**, Osaka (JP)

* cited by examiner

(**) Term: **14 Years**

Primary Examiner—Stella Reid

(21) Appl. No.: **29/149,557**

(74) *Attorney, Agent, or Firm*—Michael D. Bednarek; Shaw Pittman LLP

(22) Filed: **Oct. 15, 2001**

(57) **CLAIM**

(30) **Foreign Application Priority Data**

The ornamental design for a magnetic field generating device for use in MRI, as shown and described.

Apr. 20, 2001 (JP) 2001-011557

DESCRIPTION

(51) **LOC (7) Cl.** **24-01**

FIG. 1 is a perspective view of a magnetic field generating device for use in MRI;
FIG. 2 is a front view thereof;
FIG. 3 is a rear view thereof;
FIG. 4 is a left side view thereof;
FIG. 5 is a right side view thereof;
FIG. 6 is a top view thereof; and,
FIG. 7 is a bottom view thereof.

(52) **U.S. Cl.** **D24/158**

(58) **Field of Search** D24/158; 600/411, 600/410, 409, 422; 324/318, 309

(56) **References Cited**

U.S. PATENT DOCUMENTS

4,829,252 A * 5/1989 Kaufman 324/309
5,431,165 A 7/1995 Sellers 128/653.5
5,436,607 A 7/1995 Chari et al. 335/216
5,490,509 A * 2/1996 Carlson et al. 128/653.2

1 Claim, 4 Drawing Sheets

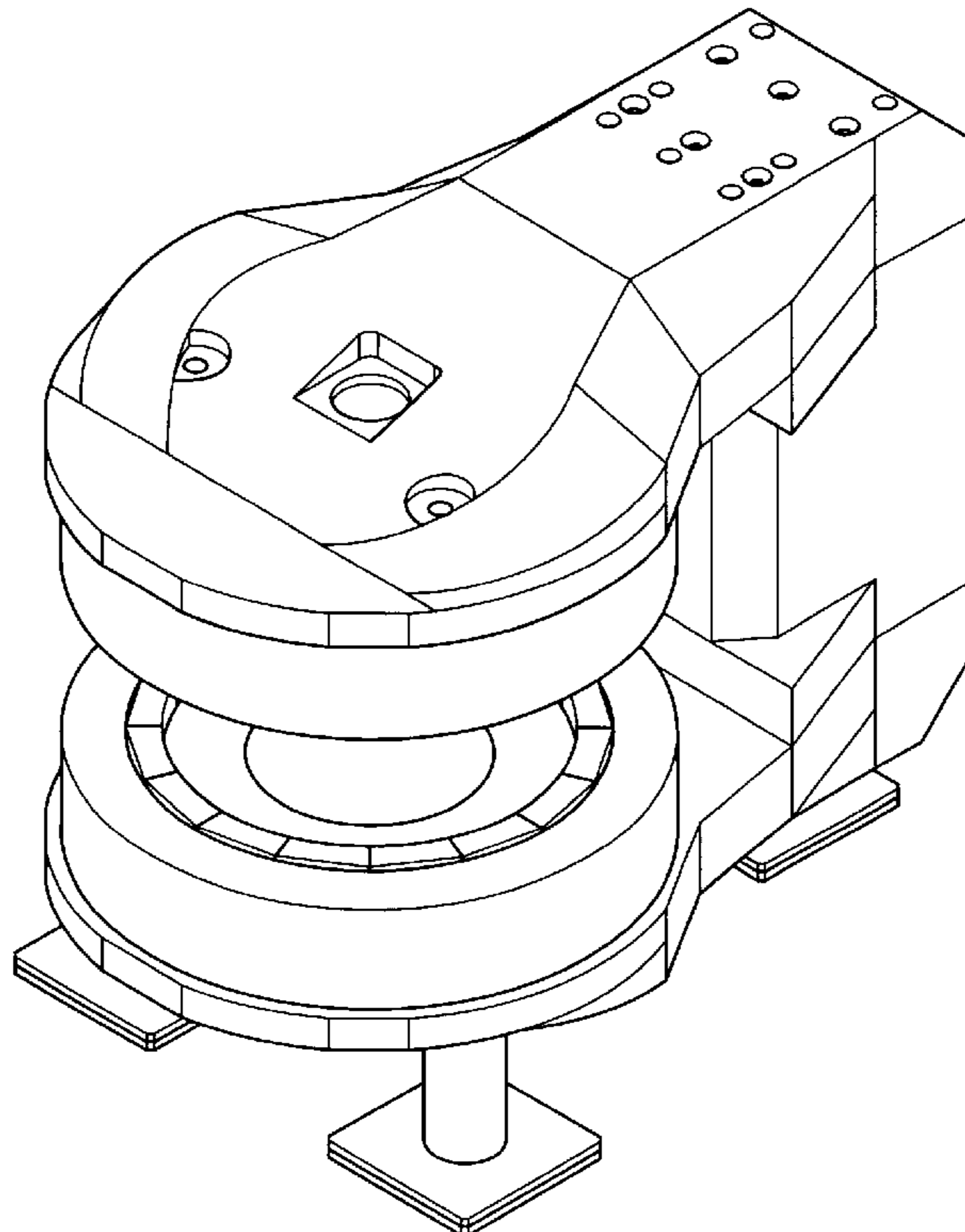


FIG. 1

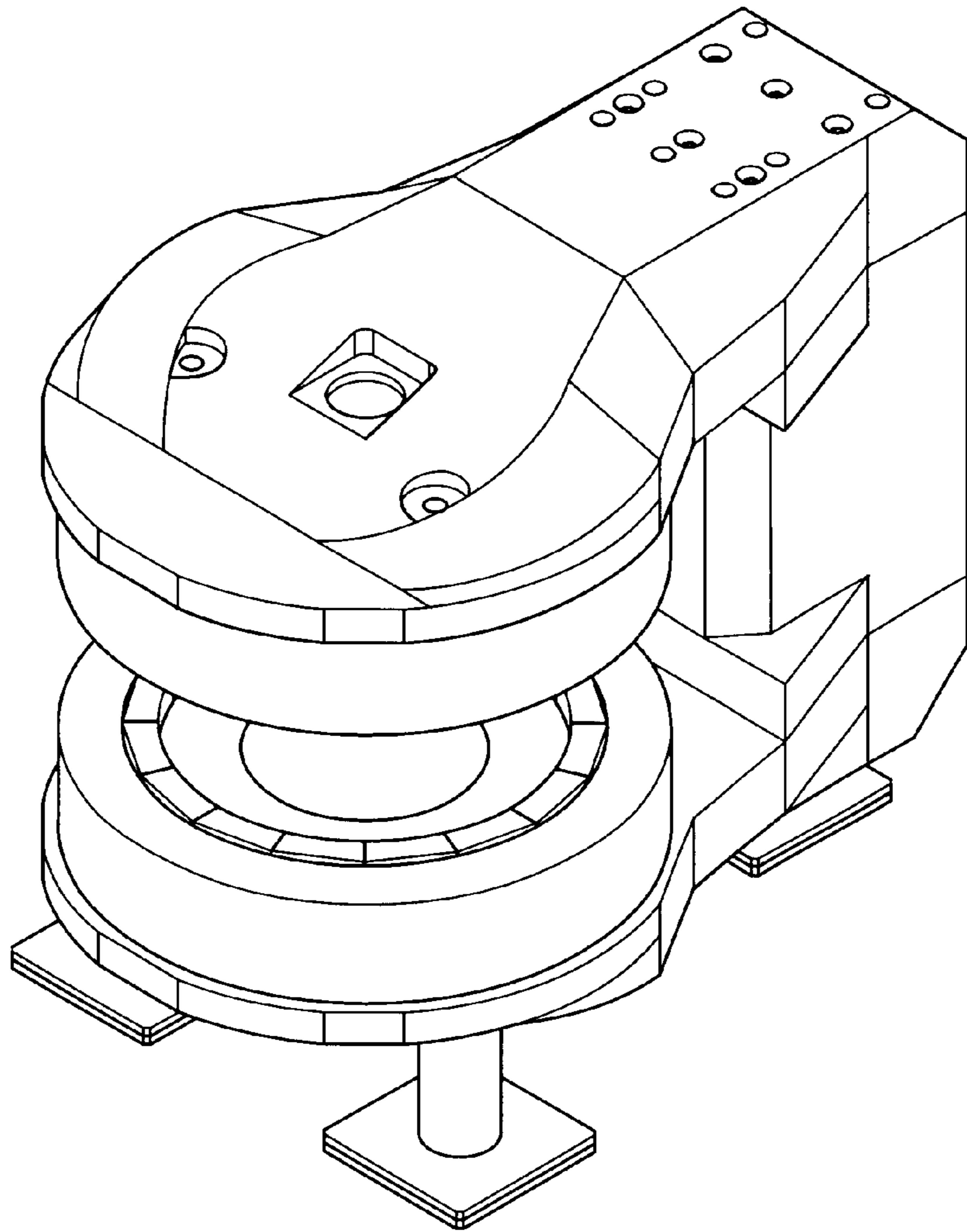


FIG. 2

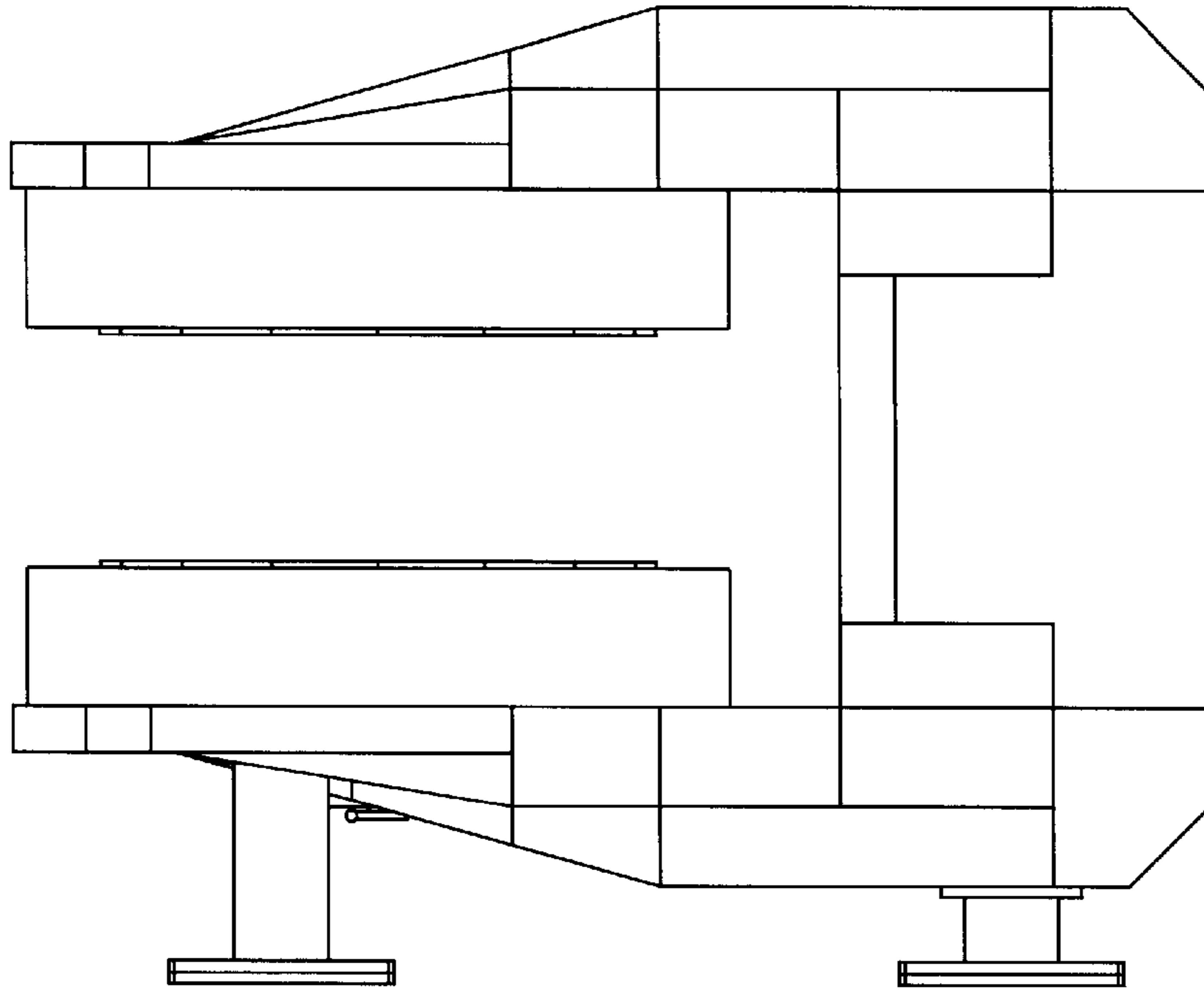


FIG. 3

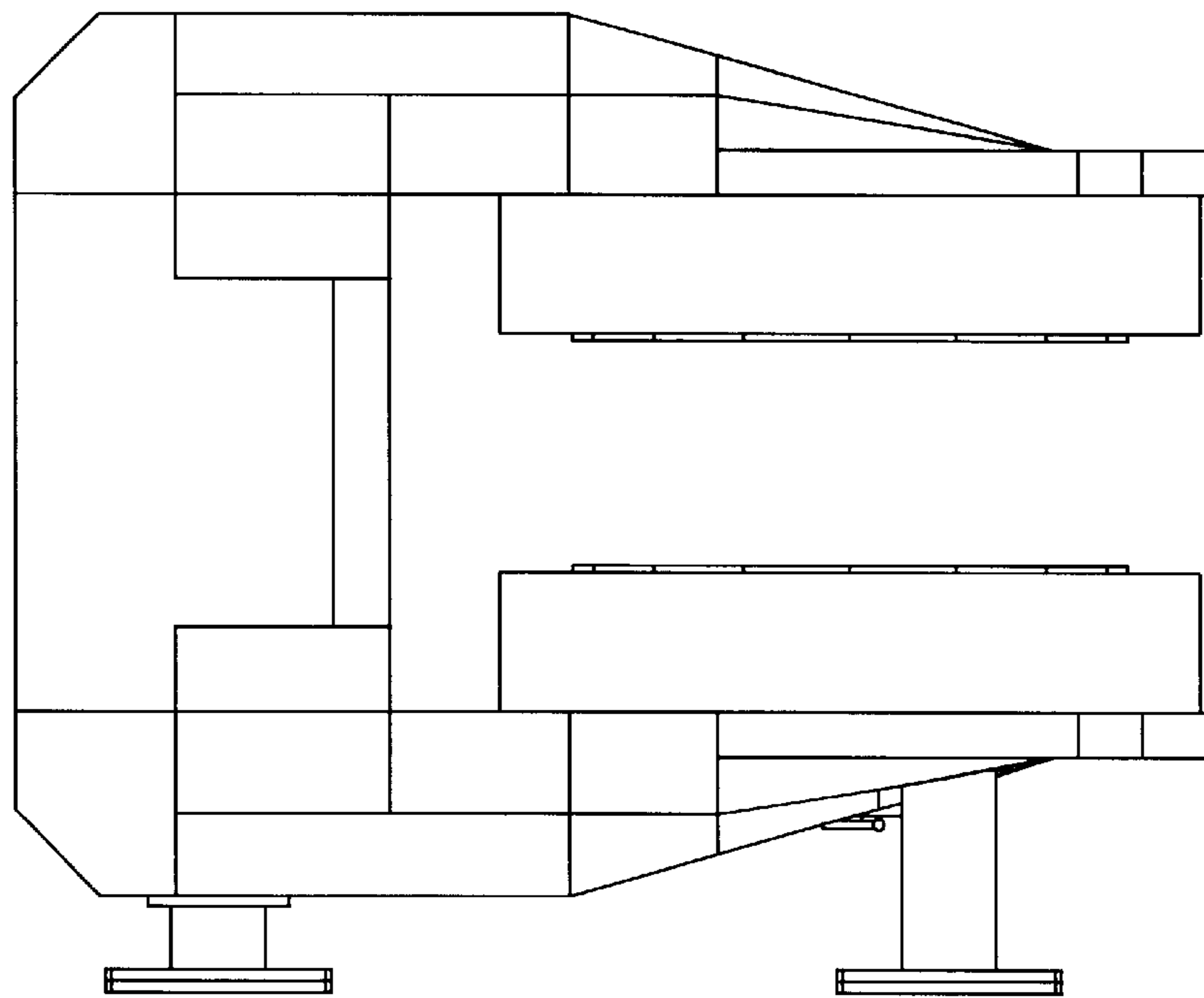


FIG. 4

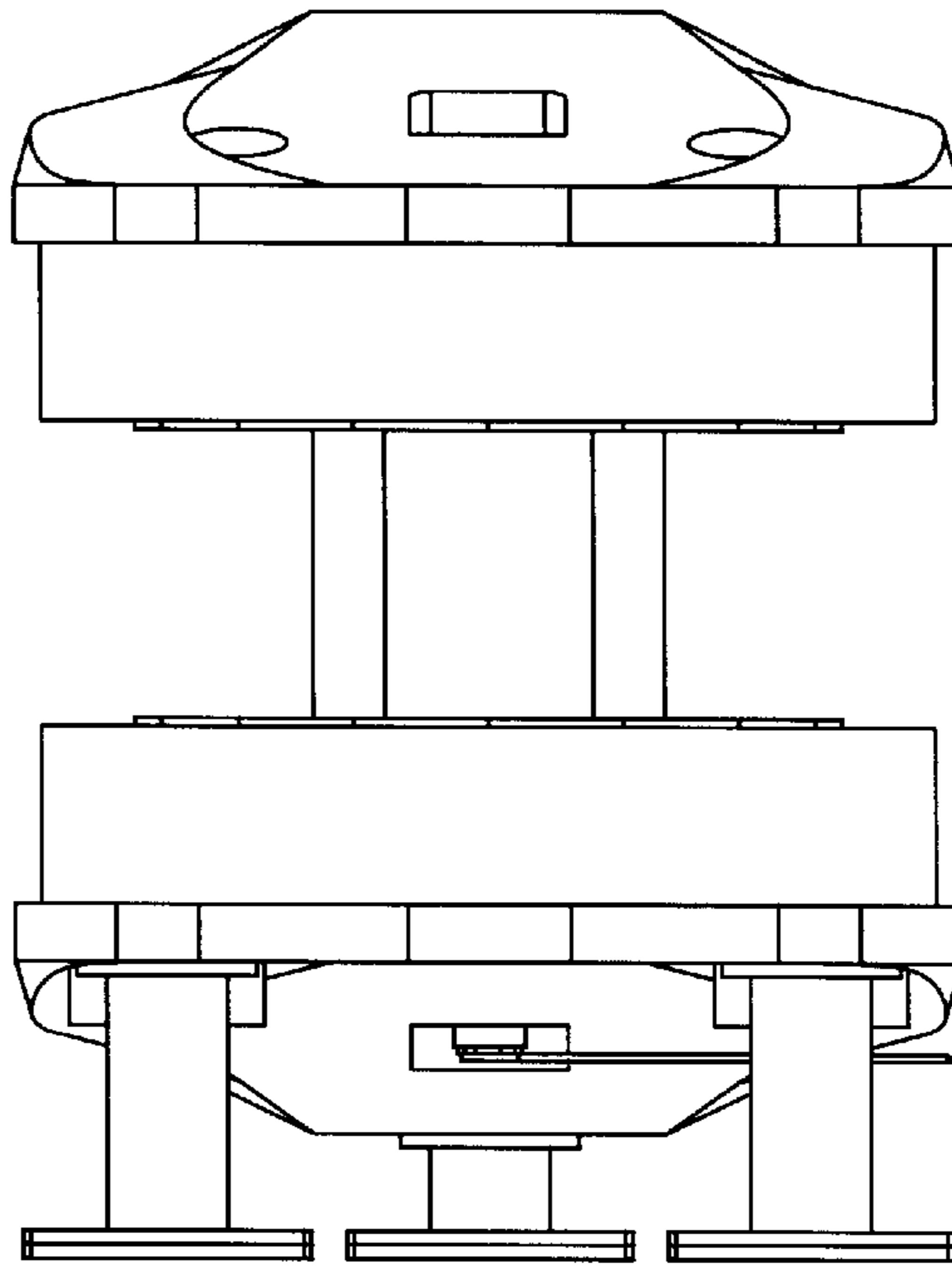


FIG. 5

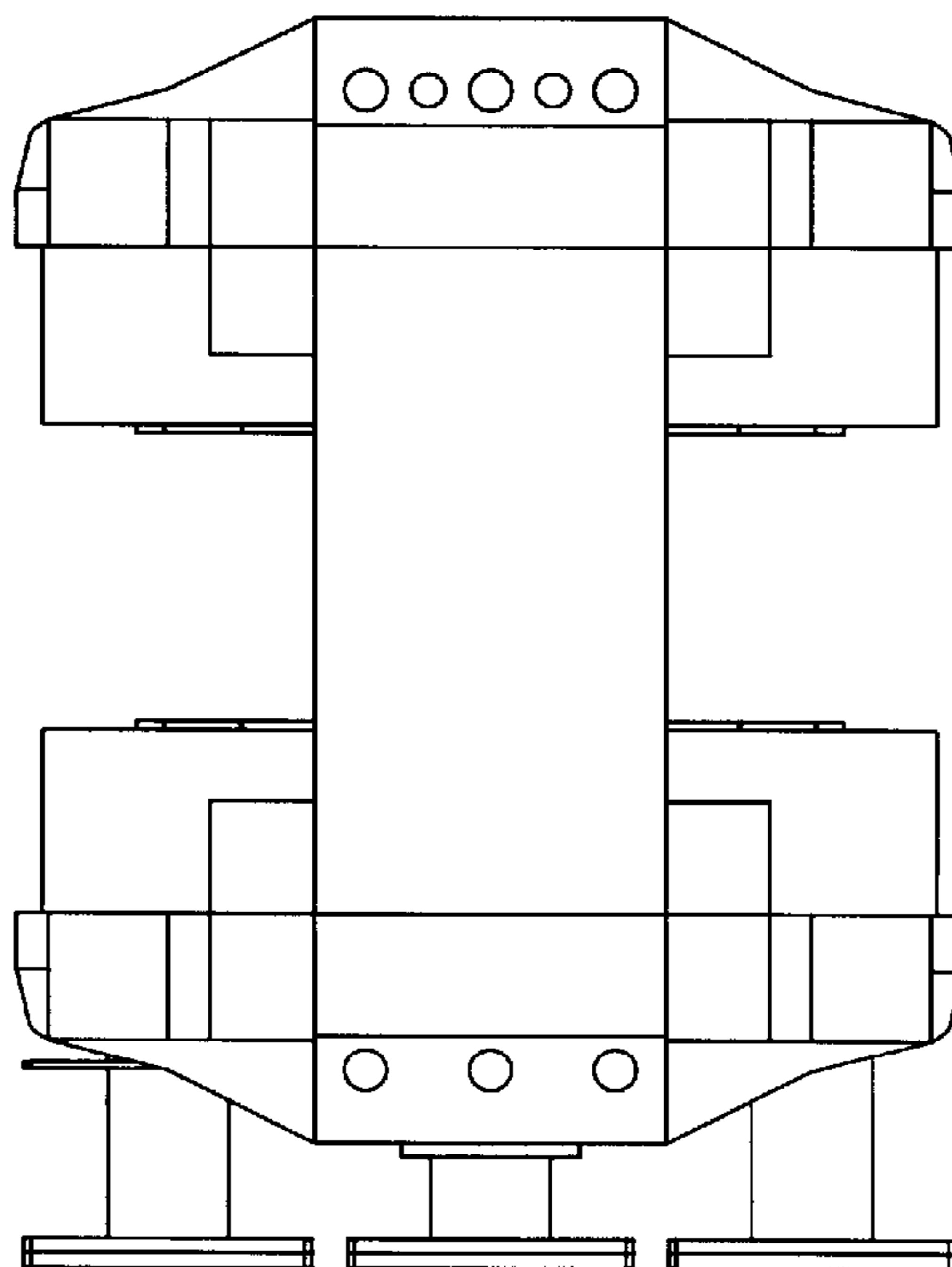


FIG. 6

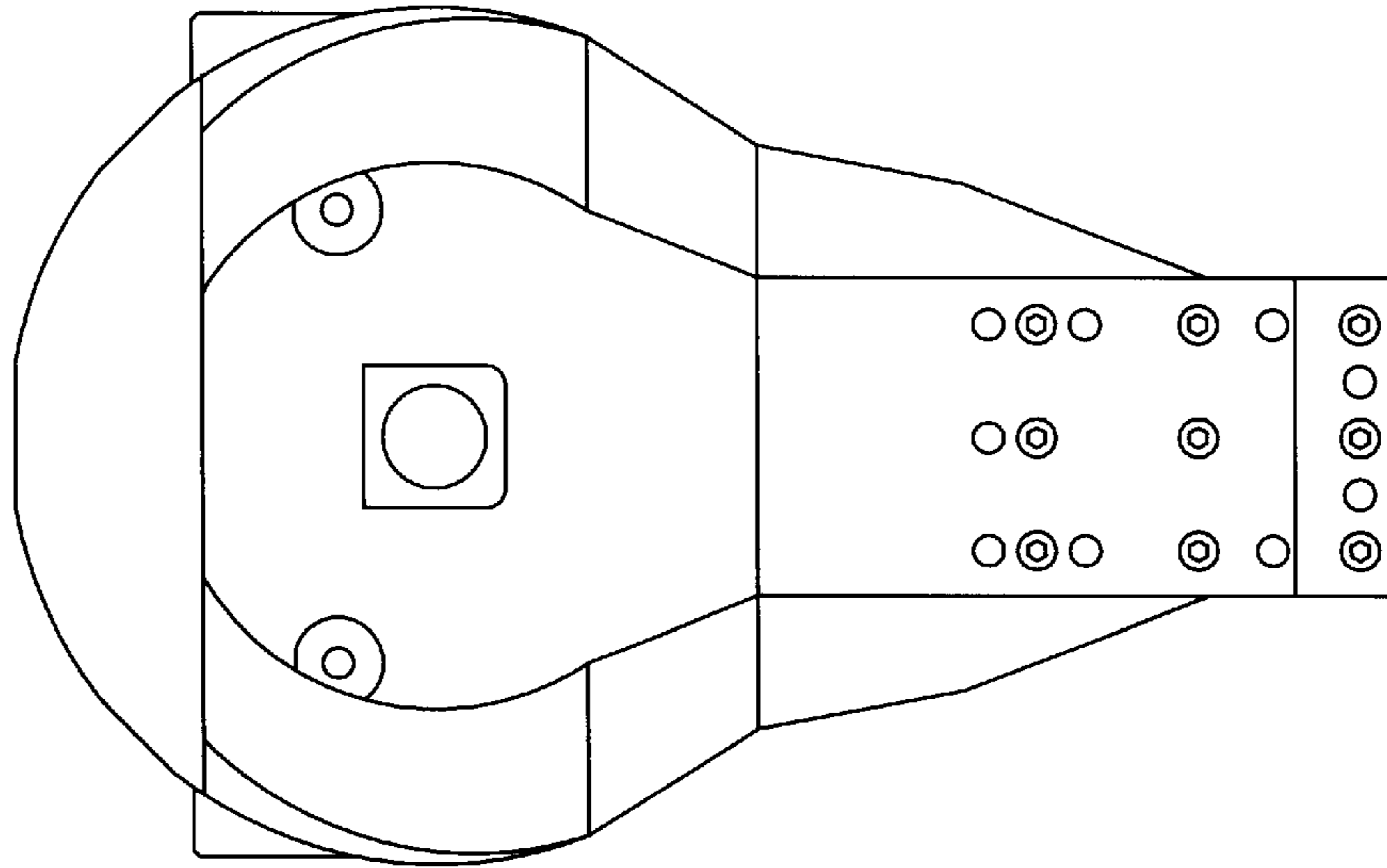
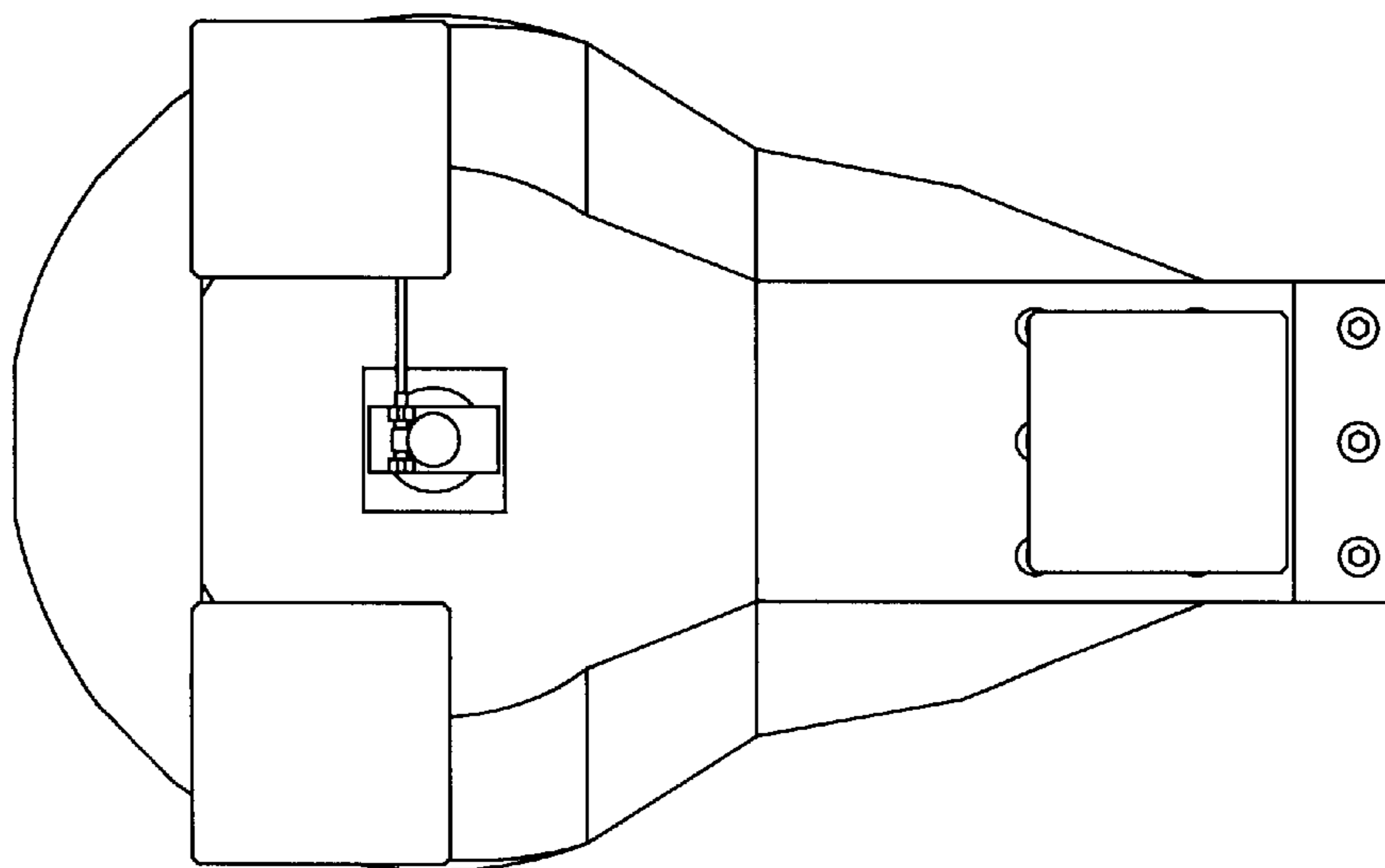


FIG. 7



UNITED STATES PATENT AND TRADEMARK OFFICE
CERTIFICATE OF CORRECTION

PATENT NO. : Des. 461,249 S
DATED : August 6, 2002
INVENTOR(S) : Tsuzaki et al.

Page 1 of 1

It is certified that error appears in the above-identified patent and that said Letters Patent is hereby corrected as shown below:

Title page,
Item [73], add assignee:

-- **Hitachi Medical Corporation**, Tokyo, Japan --

Signed and Sealed this

Fifth Day of November, 2002

Attest:



Attesting Officer

JAMES E. ROGAN
Director of the United States Patent and Trademark Office