



US00D461241S

(12) **United States Design Patent**
Moberg et al.

(10) **Patent No.:** **US D461,241 S**

(45) **Date of Patent:** **** Aug. 6, 2002**

(54) **INFUSION PUMP FOR DELIVERY OF FLUID**

6,248,093 B1 * 6/2001 Moberg 604/131

(75) Inventors: **Sheldon B. Moberg**, Granada Hills;
Timothy J. Payne, Santa Ana, both of
CA (US)

(73) Assignee: **Medtronic MiniMed, Inc.**, Northridge,
CA (US)

(**) Term: **14 Years**

(21) Appl. No.: **29/145,920**

(22) Filed: **Jul. 31, 2001**

(51) **LOC (7) Cl.** **24-02**

(52) **U.S. Cl.** **D24/111**

(58) **Field of Search** D24/111, 169,
D24/108; 604/131, 151, 157, 152, 154;
128/DIG. 12

(56) **References Cited**

U.S. PATENT DOCUMENTS

4,468,221	A	*	8/1984	Mayfield	604/152
4,749,109	A	*	6/1988	Kamen	128/DIG. 12
5,399,823	A		3/1995	McCusker	200/521
5,472,317	A		12/1995	Field et al.	417/234
5,505,709	A		4/1996	Funderburk et al.	604/155
5,637,095	A		6/1997	Nason et al.	604/135
5,647,853	A		7/1997	Feldmann et al.	604/155
5,665,065	A		9/1997	Colman et al.	604/66
5,830,187	A	*	11/1998	Kriesel et al.	604/151
5,919,167	A	*	7/1999	Mulhauser et al.	604/131
5,925,018	A	*	7/1999	Ungerstedt	604/131
5,993,423	A	*	11/1999	Choi	128/DIG. 12
D425,990	S	*	5/2000	Gravel et al.	D24/169
6,056,728	A	*	5/2000	von Schuckmann	604/157
D434,150	S	*	11/2000	Tumey et al.	D24/111
D439,341	S	*	3/2001	Tumey et al.	D24/111

OTHER PUBLICATIONS

MiniMed's Next Step Program, p. 1 of 1, (Jul. 18, 2001).
Paradigm Pump, p. 1 of 2 (Jul. 18, 2001).
The Animas R-1000 Insulin Pump, p. 1 of 2, (Jul. 18, 2001).
H-Tron®plus, p. 1 of 2 (Jul. 18, 2001).
D-Tron™, p. 1 of 2 (Jul. 18, 2001).
New Insulin Pump Models, p. 1 of 6 (Jul. 18, 2001).

* cited by examiner

Primary Examiner—Ian Simmons

(74) *Attorney, Agent, or Firm*—Medtronic MiniMed, Inc.

(57) **CLAIM**

The ornamental design of a infusion pump for delivery of fluid, as shown and described.

DESCRIPTION

This application is related to U.S. Design patent application Ser. No. 29/145,897 filed on Jul. 31, 2001 and entitled "infusion pump for delivery of fluid," which was filed concurrently and is specifically incorporated by reference herein.

FIG. 1 is a first perspective view showing the top, front and left sides of a infusion pump for delivery of fluid embodying the new design;

FIG. 2 is a second perspective view showing the bottom, front and left sides of FIG. 1;

FIG. 3 is a front plan view thereof;

FIG. 4 is a back plan view thereof;

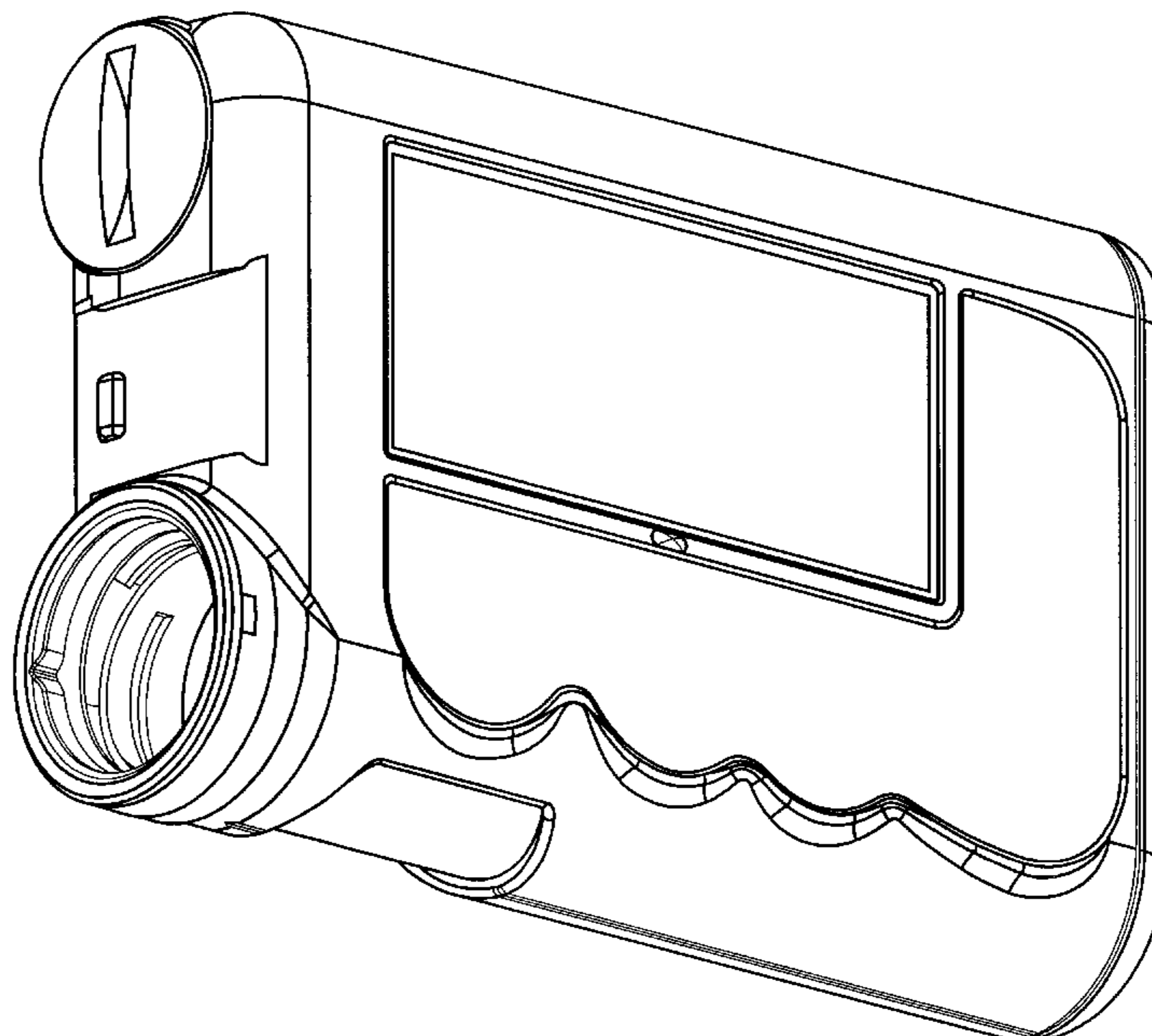
FIG. 5 is a right side elevation view thereof;

FIG. 6 is a left side elevation view thereof;

FIG. 7 is a bottom elevation view thereof; and,

FIG. 8 is a top elevation view thereof.

1 Claim, 8 Drawing Sheets



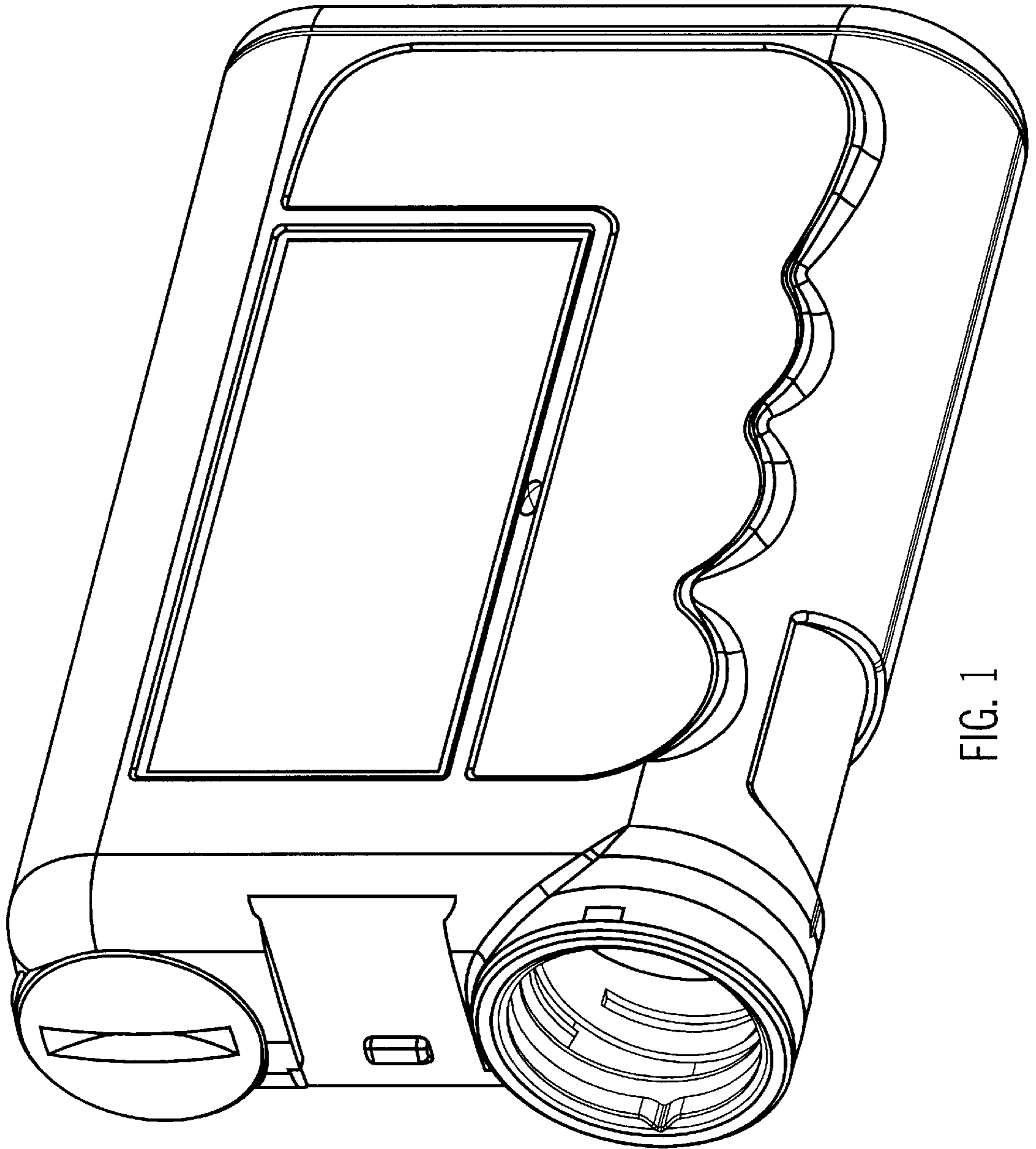


FIG. 1

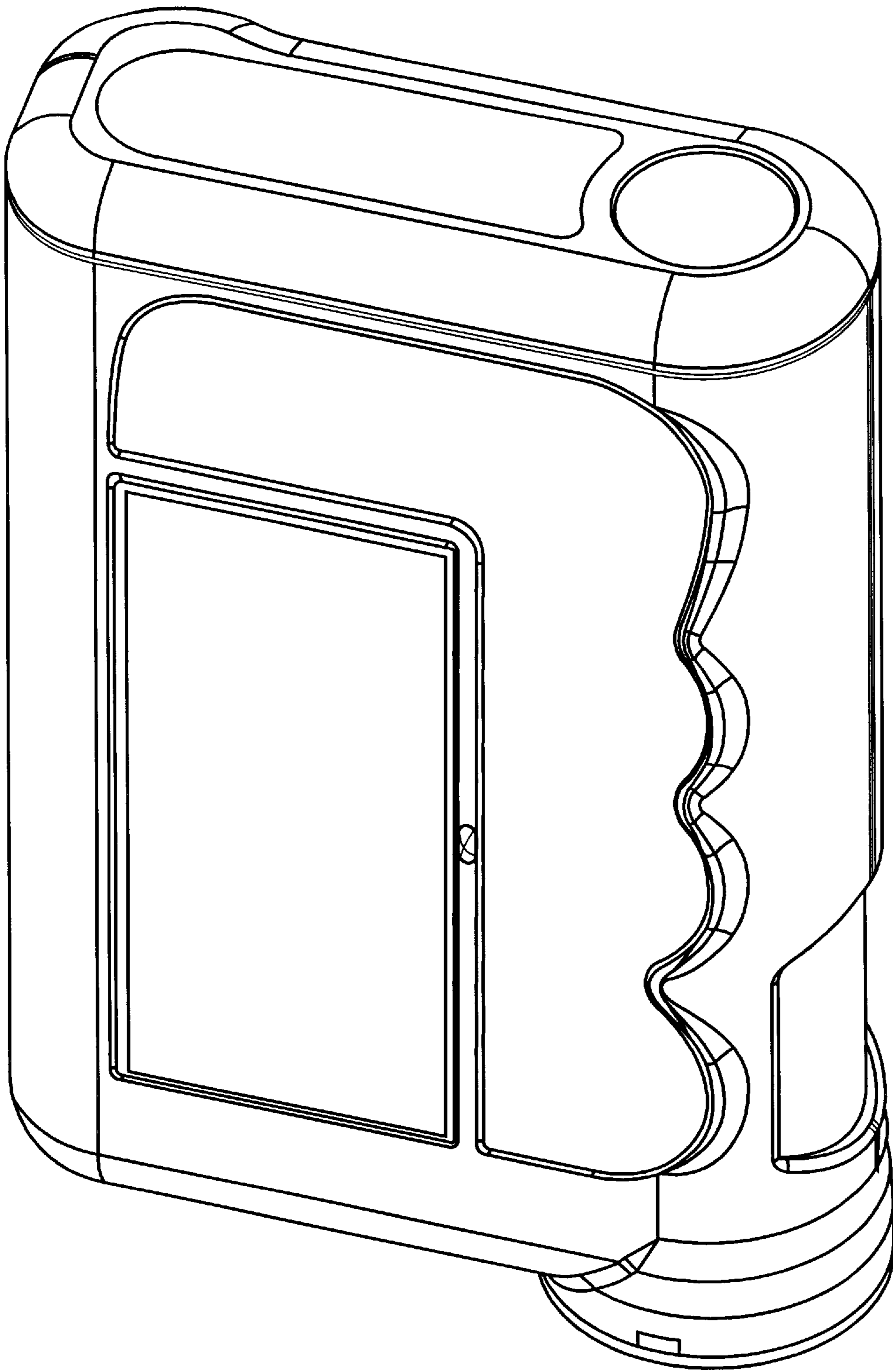


FIG. 2

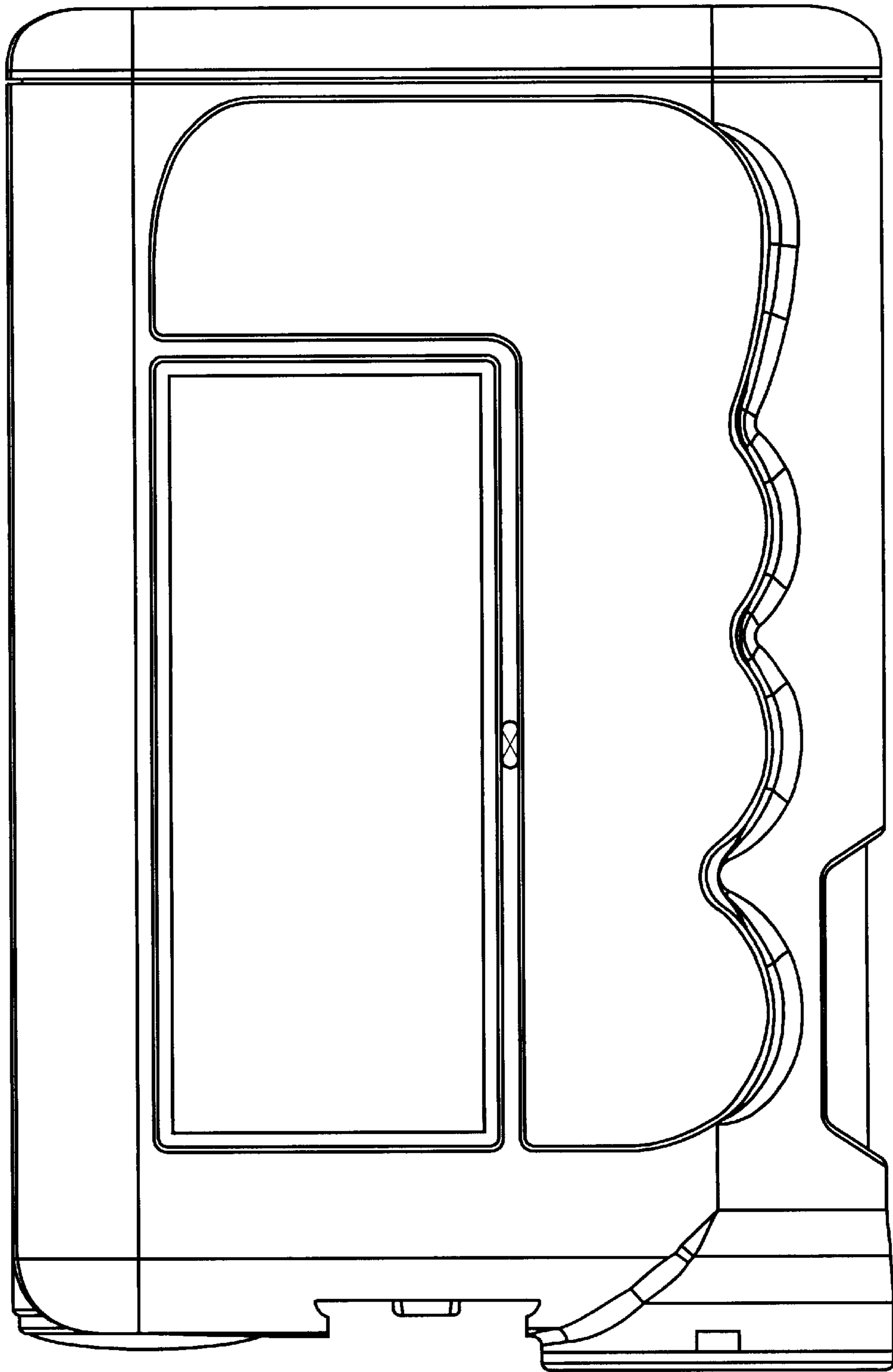


FIG. 3

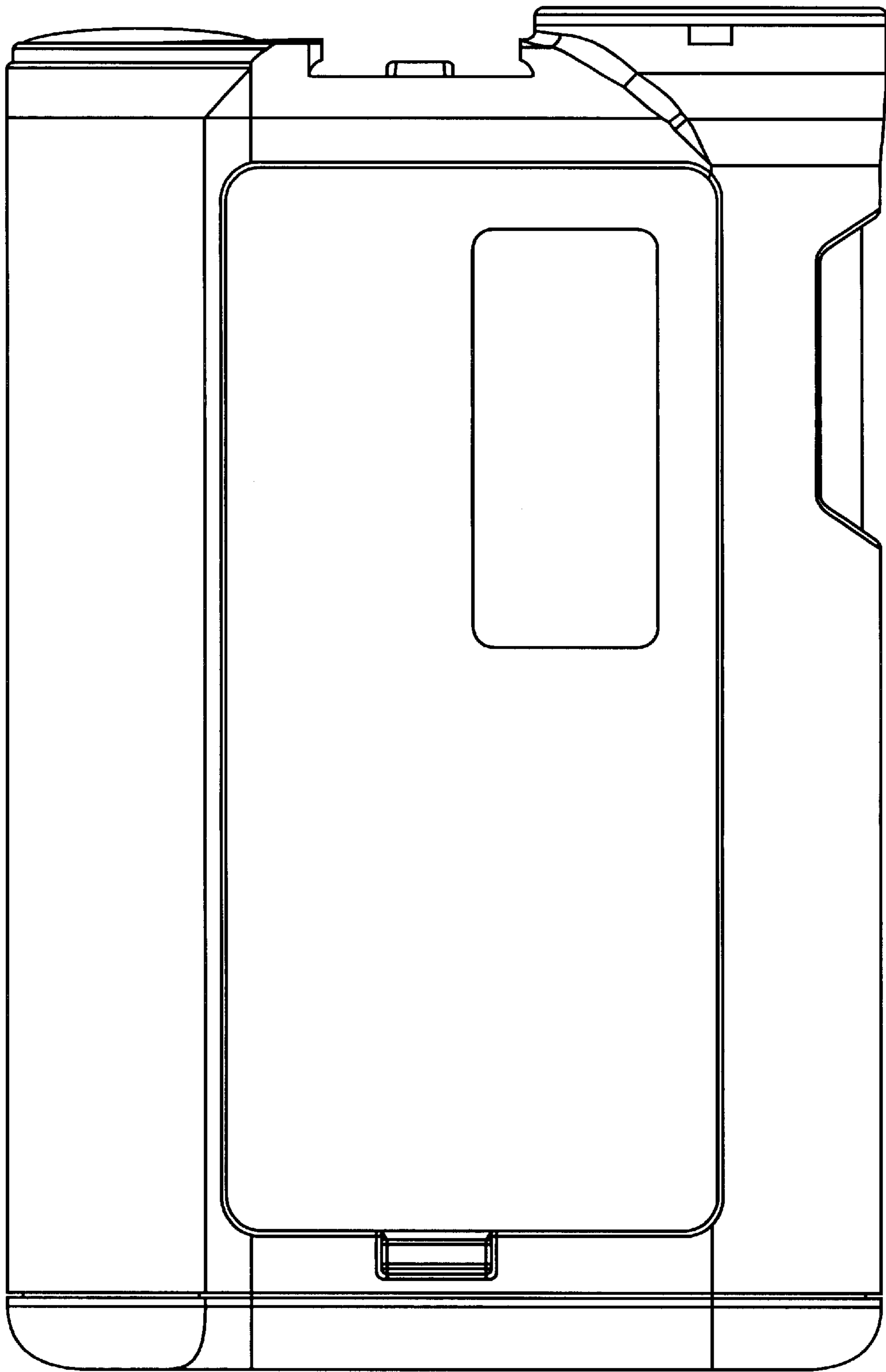


FIG. 4

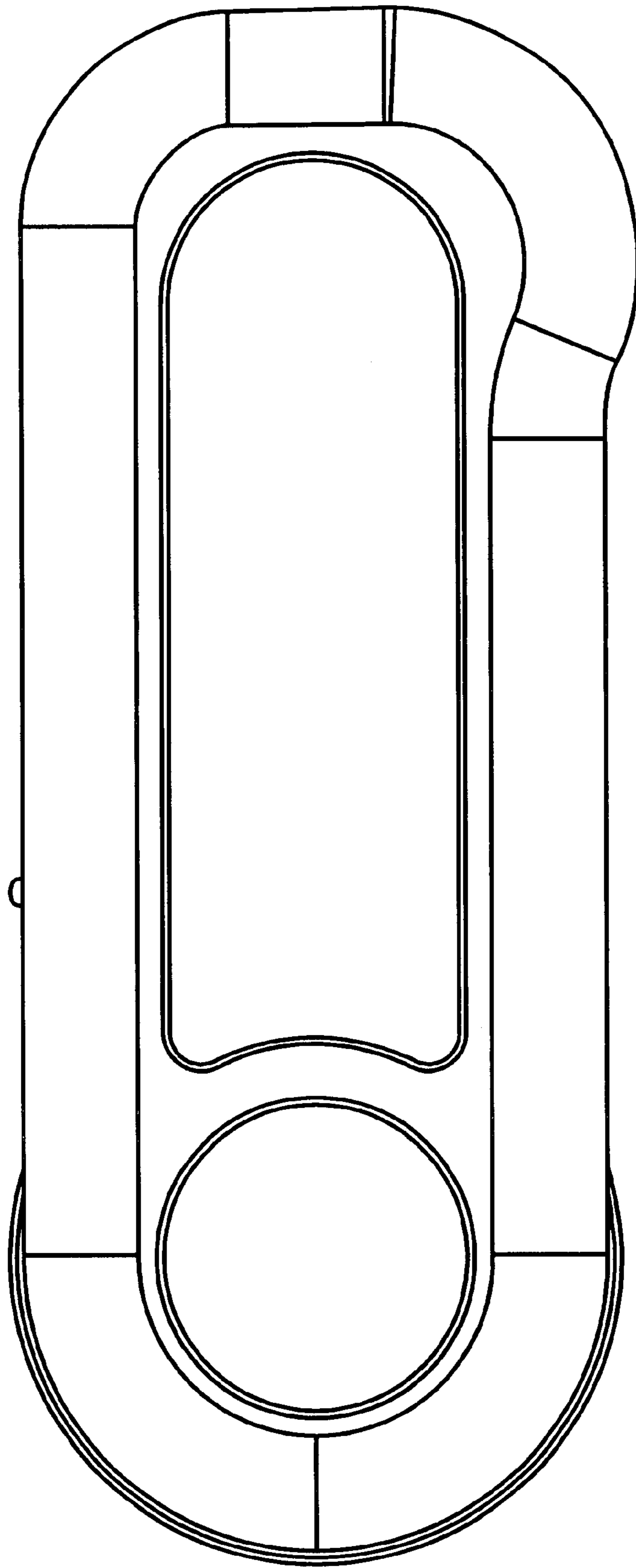


FIG. 5

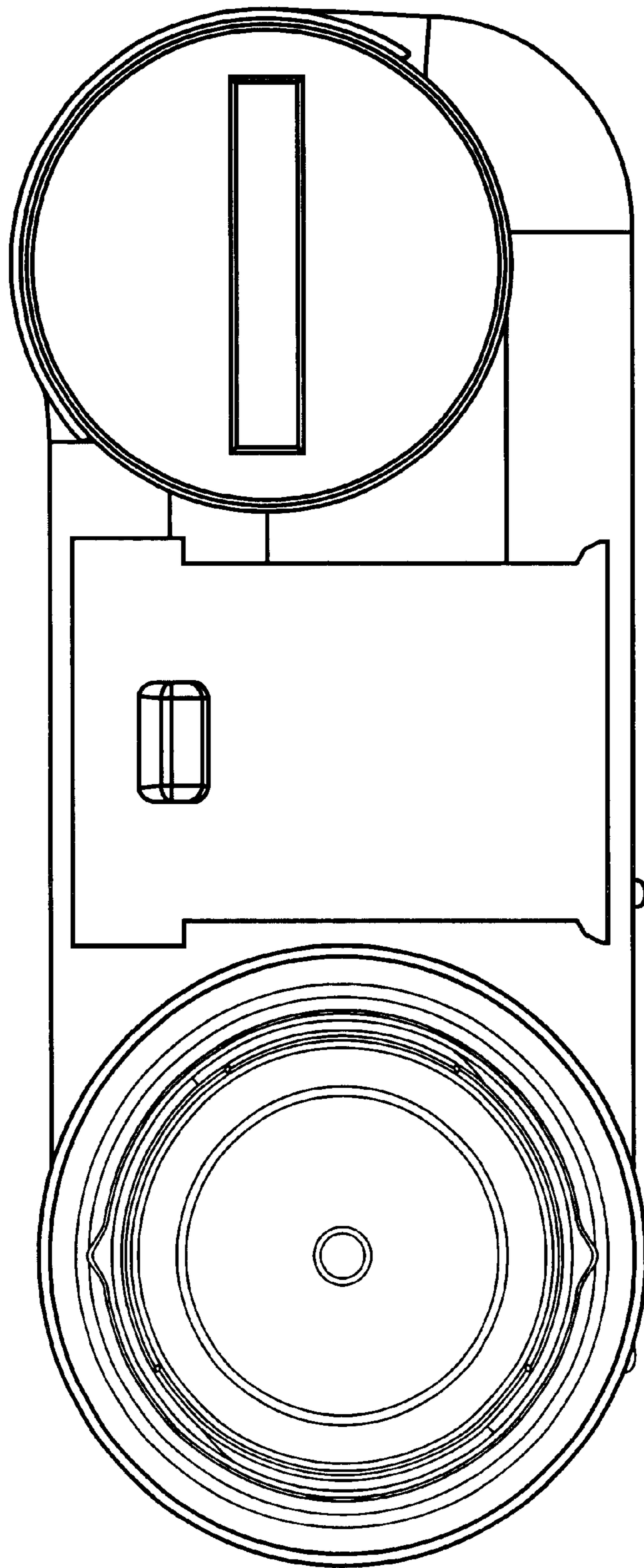


FIG. 6

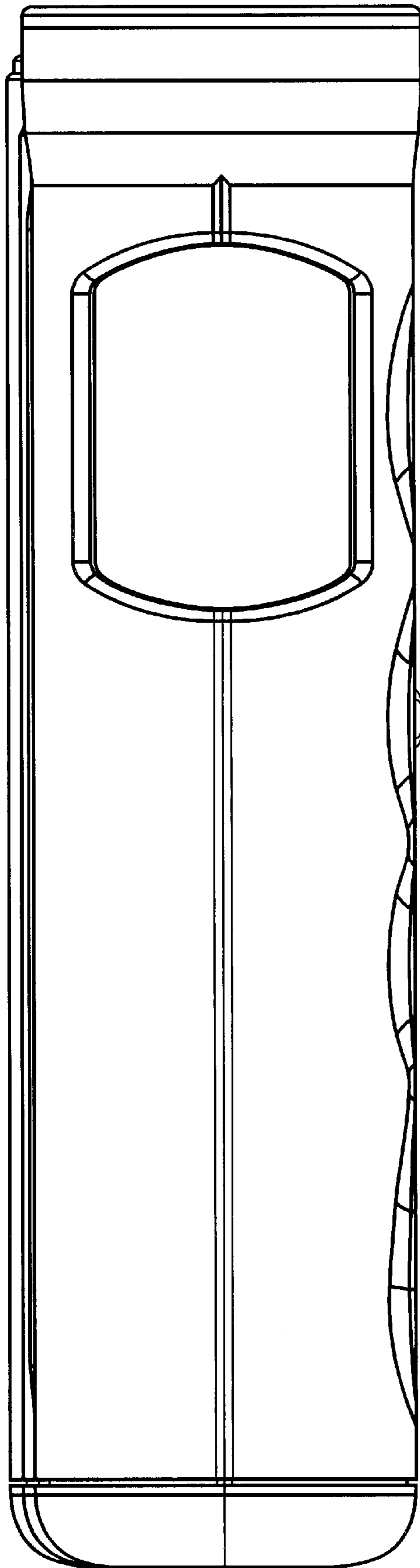


FIG. 7

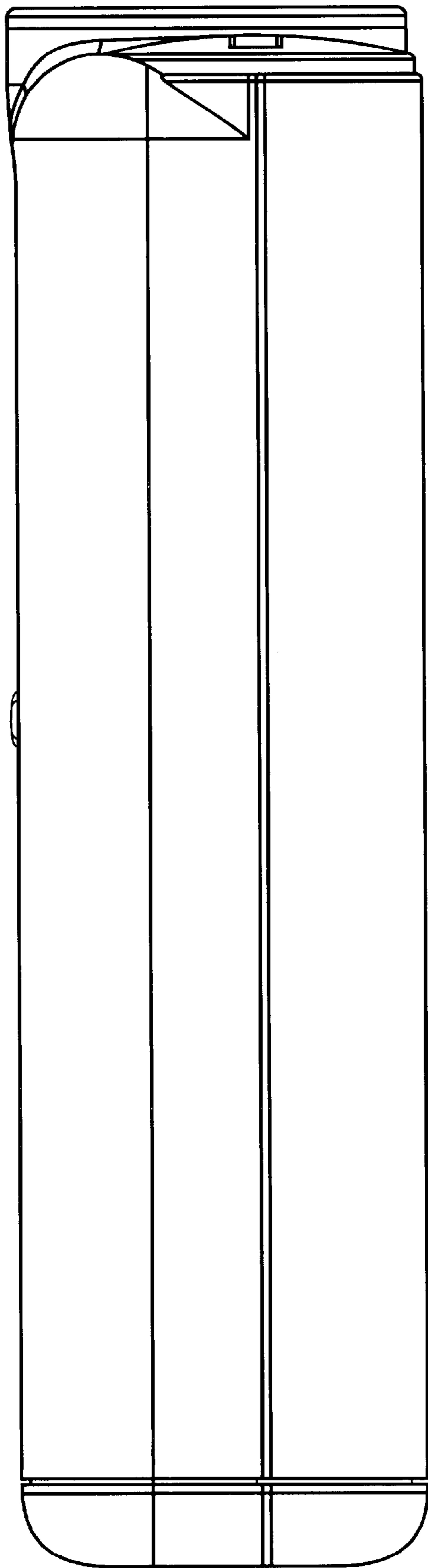


FIG. 8