



US00D461239S

(12) **United States Design Patent**
Cassidy

(10) **Patent No.:** **US D461,239 S**

(45) **Date of Patent:** **** Aug. 6, 2002**

(54) **INHALER SLEEVE WITH SPRING CLIP**

D433,502 S * 11/2000 Rand D24/110
6,164,275 A * 12/2000 Van Iderstine 128/200.14

(76) Inventor: **Anna L. Cassidy**, 32 Great Woods Rd.,
Saugus, MA (US) 01906

* cited by examiner

(**) Term: **14 Years**

Primary Examiner—Ian Simmons

(74) *Attorney, Agent, or Firm*—Robert T Dunn

(21) Appl. No.: **29/149,877**

(57) **CLAIM**

(22) Filed: **Oct. 18, 2001**

The ornamental design for an inhaler sleeve with spring clip,
as shown and described.

(51) **LOC (7) Cl.** **29-02**

DESCRIPTION

(52) **U.S. Cl.** **D24/110; D24/128**

(58) **Field of Search** D24/128, 110,
D24/127; 128/200.23, 200.24, 200.16, 200.18,
200.14, 200.25; 248/299.13, 298; 224/267,
222, 250; D8/395, 396; D3/203

FIG. 1 is a right side elevation view of an inhaler sleeve with
spring clip showing my new design;
FIG. 2 is a left side elevation view thereof;
FIG. 3 is a front elevation thereof;
FIG. 4 is a rear elevation thereof;
FIG. 5 is a top plan view thereof; and,
FIG. 6 is a bottom plan view thereof.

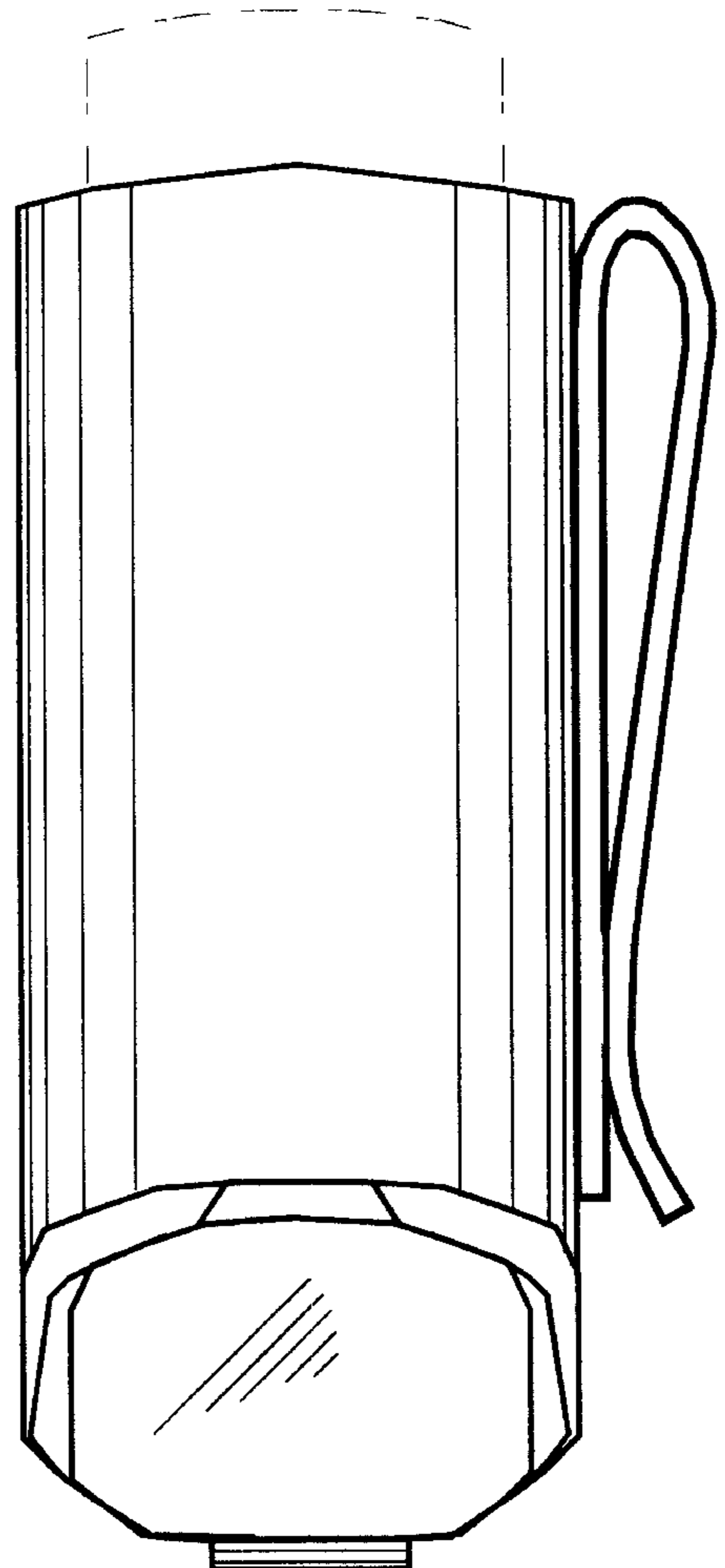
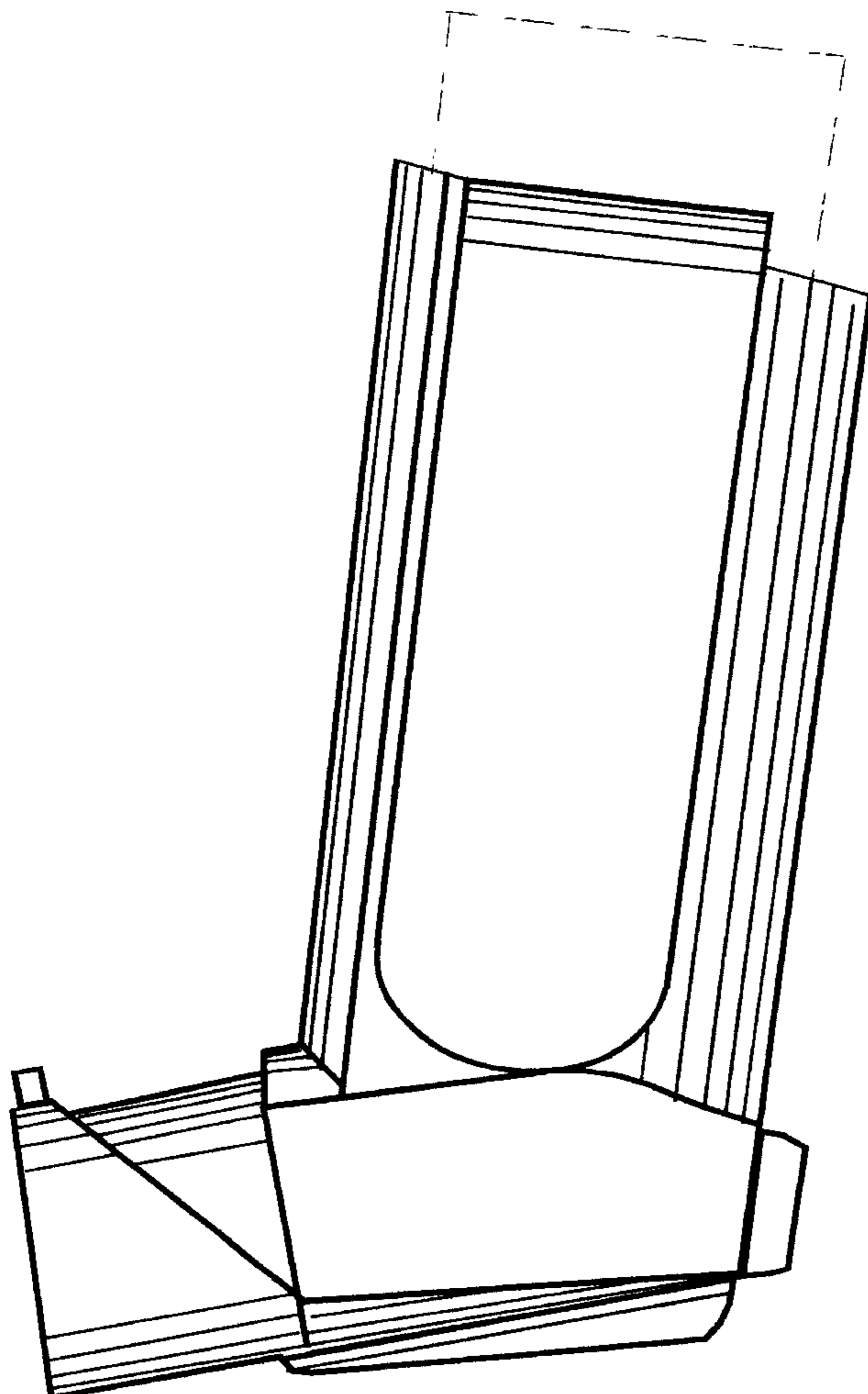
(56) **References Cited**

U.S. PATENT DOCUMENTS

D354,677 S * 1/1995 Troyer D8/396
5,664,557 A * 9/1997 Makiej, Jr. 128/200.23
5,899,200 A * 5/1999 McNary 128/200.14
D418,600 S * 1/2000 Haerle D24/128

The broken line showing in FIGS. 1 through 5 of the
medication container are for illustrative purposes only and
forms no part of the claimed design.

1 Claim, 5 Drawing Sheets



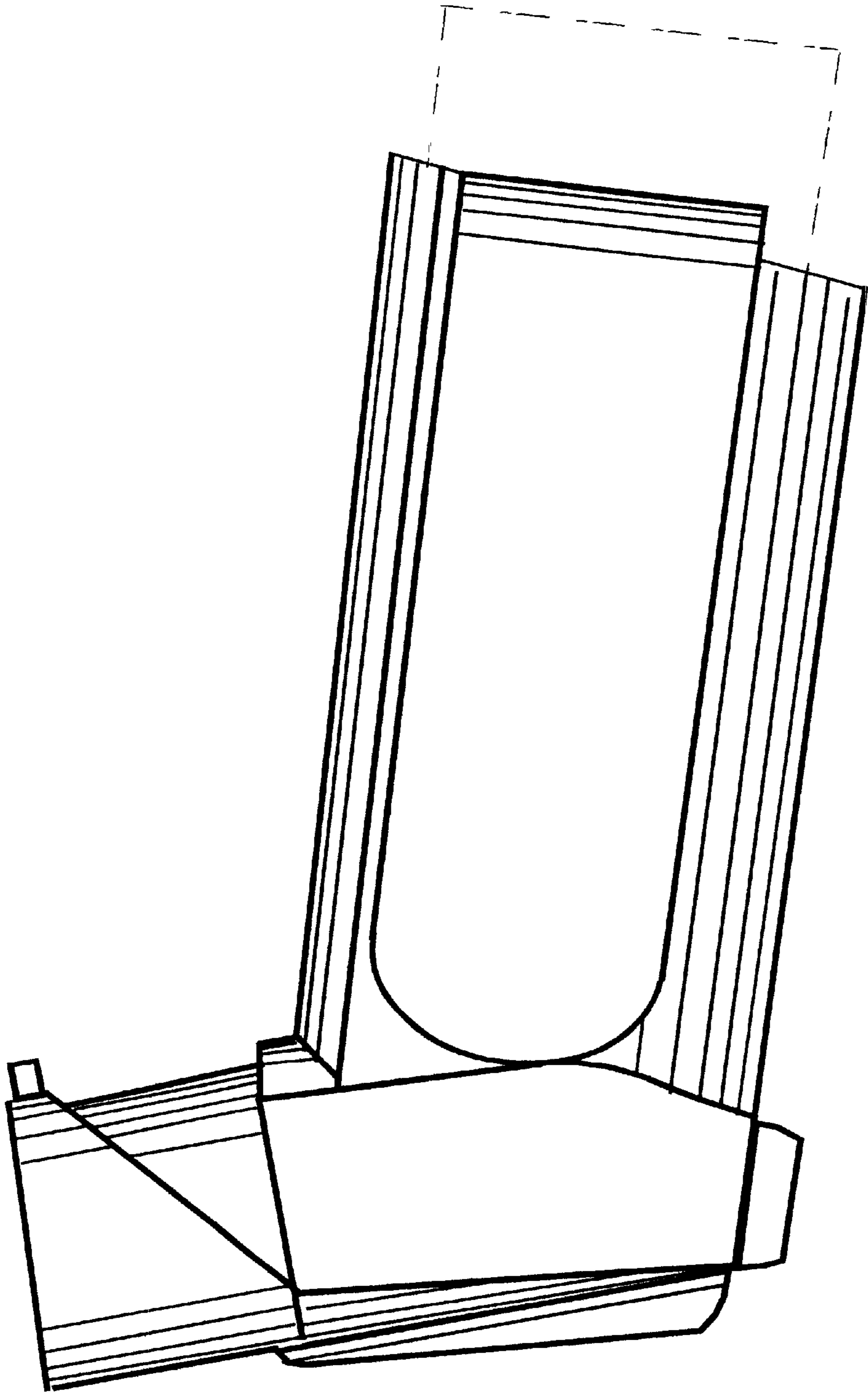


FIG 1

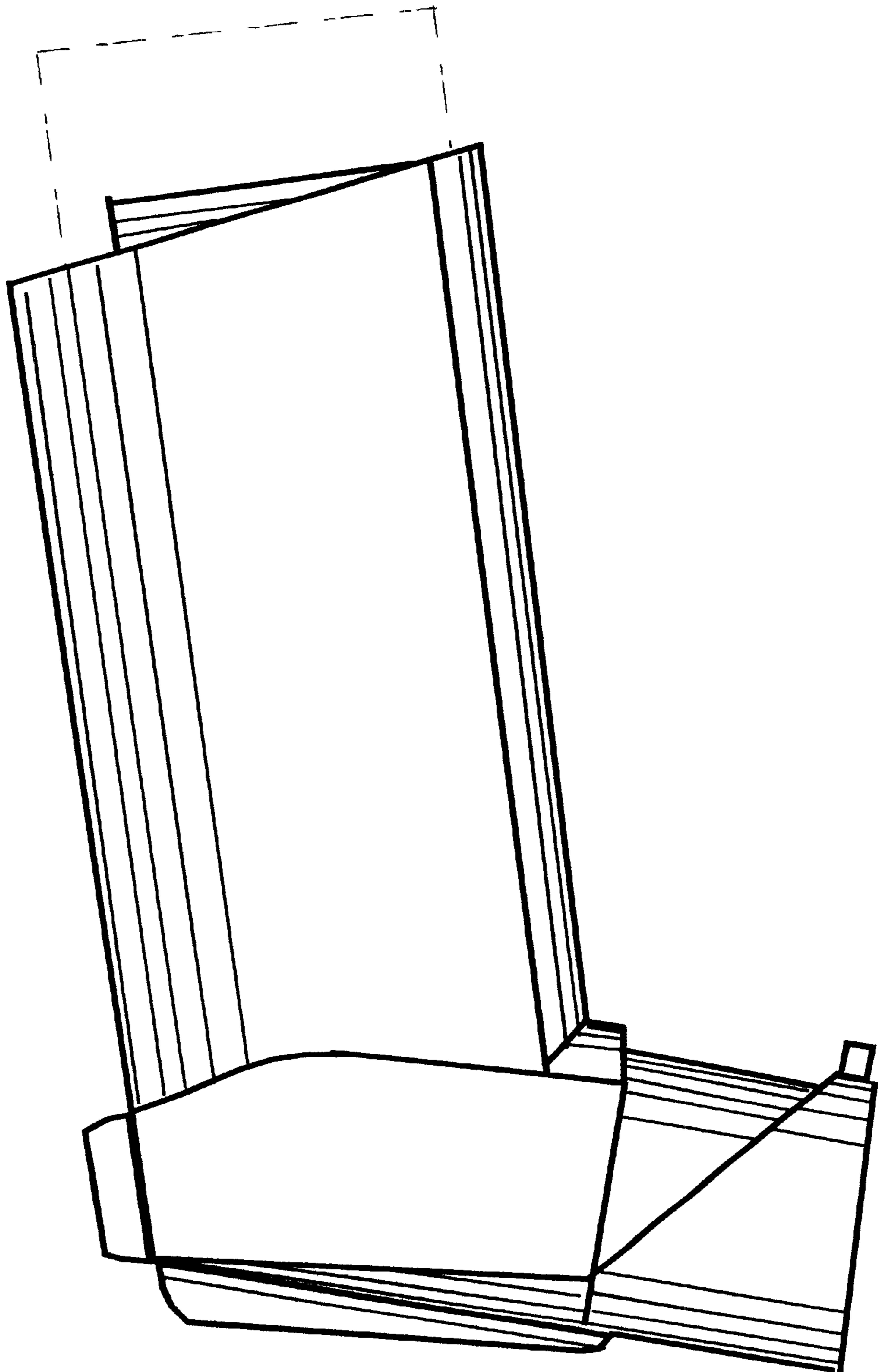


FIG 2

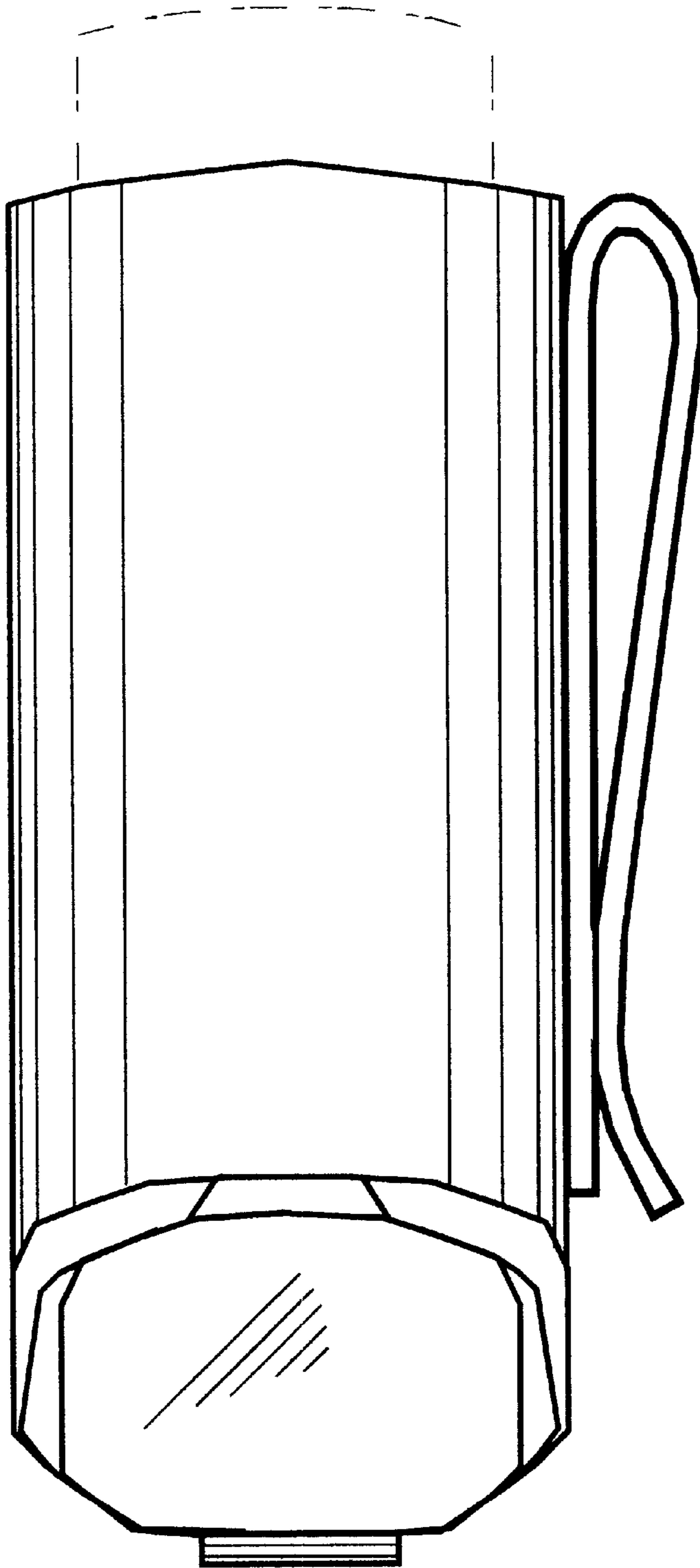


FIG 3

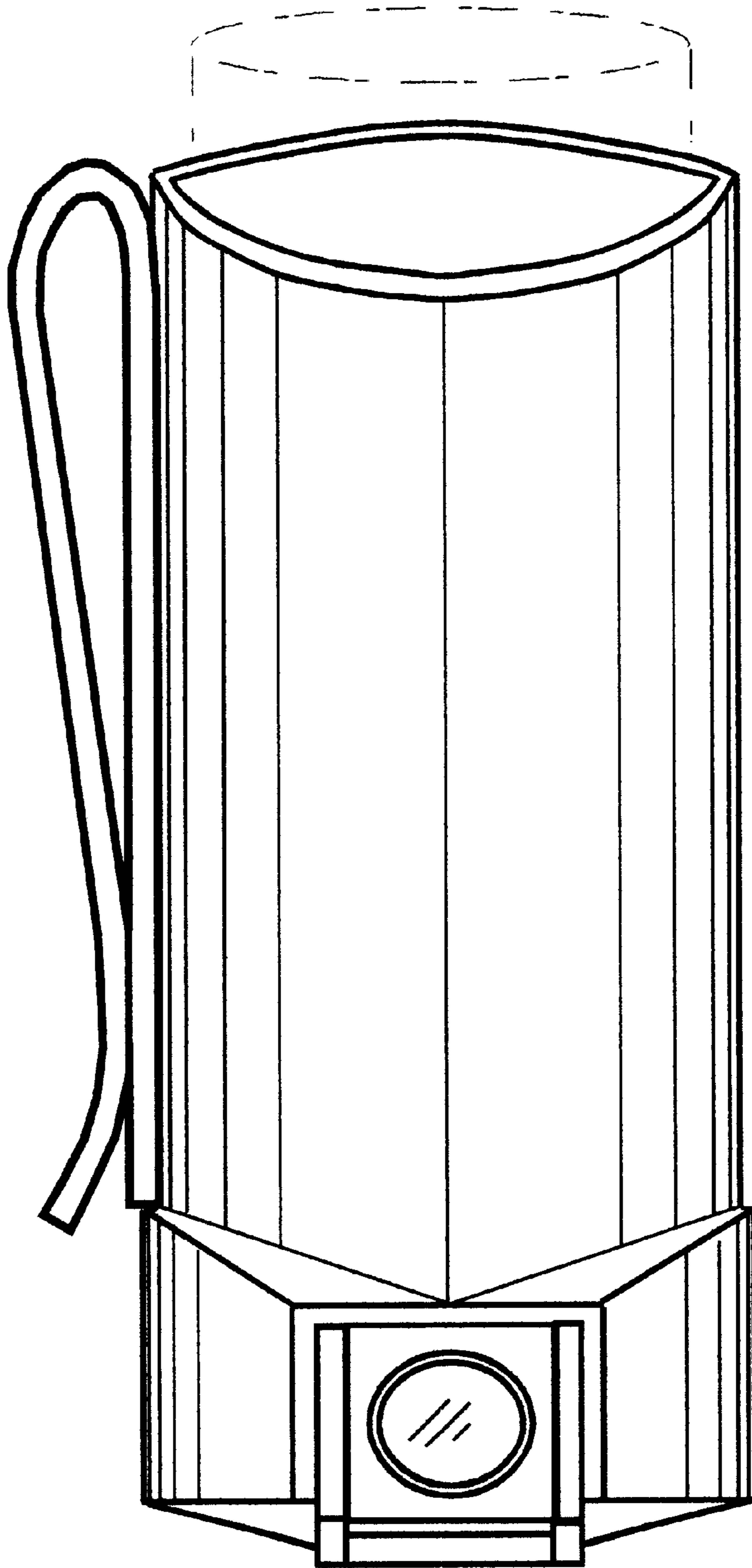


FIG 4

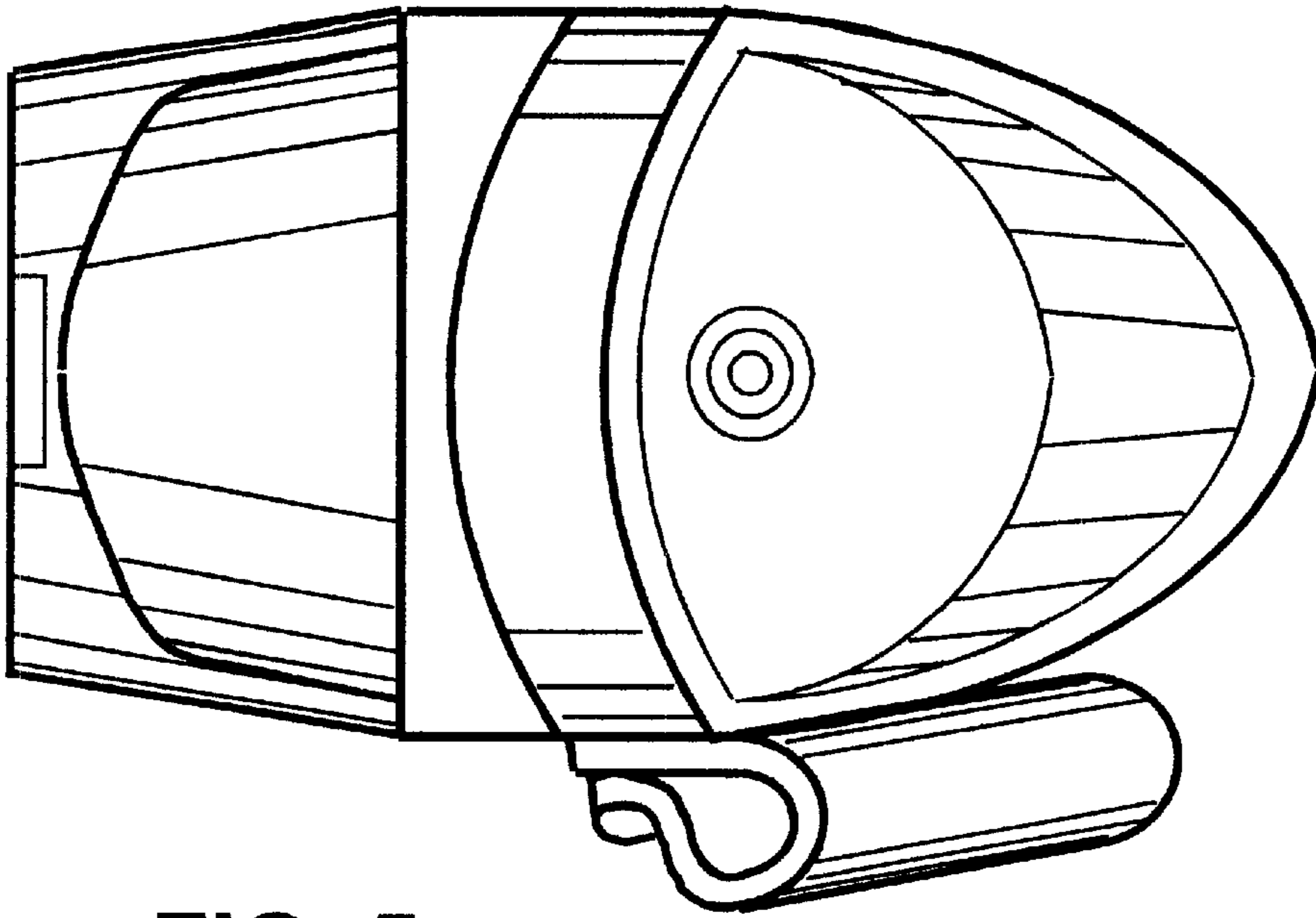


FIG 5

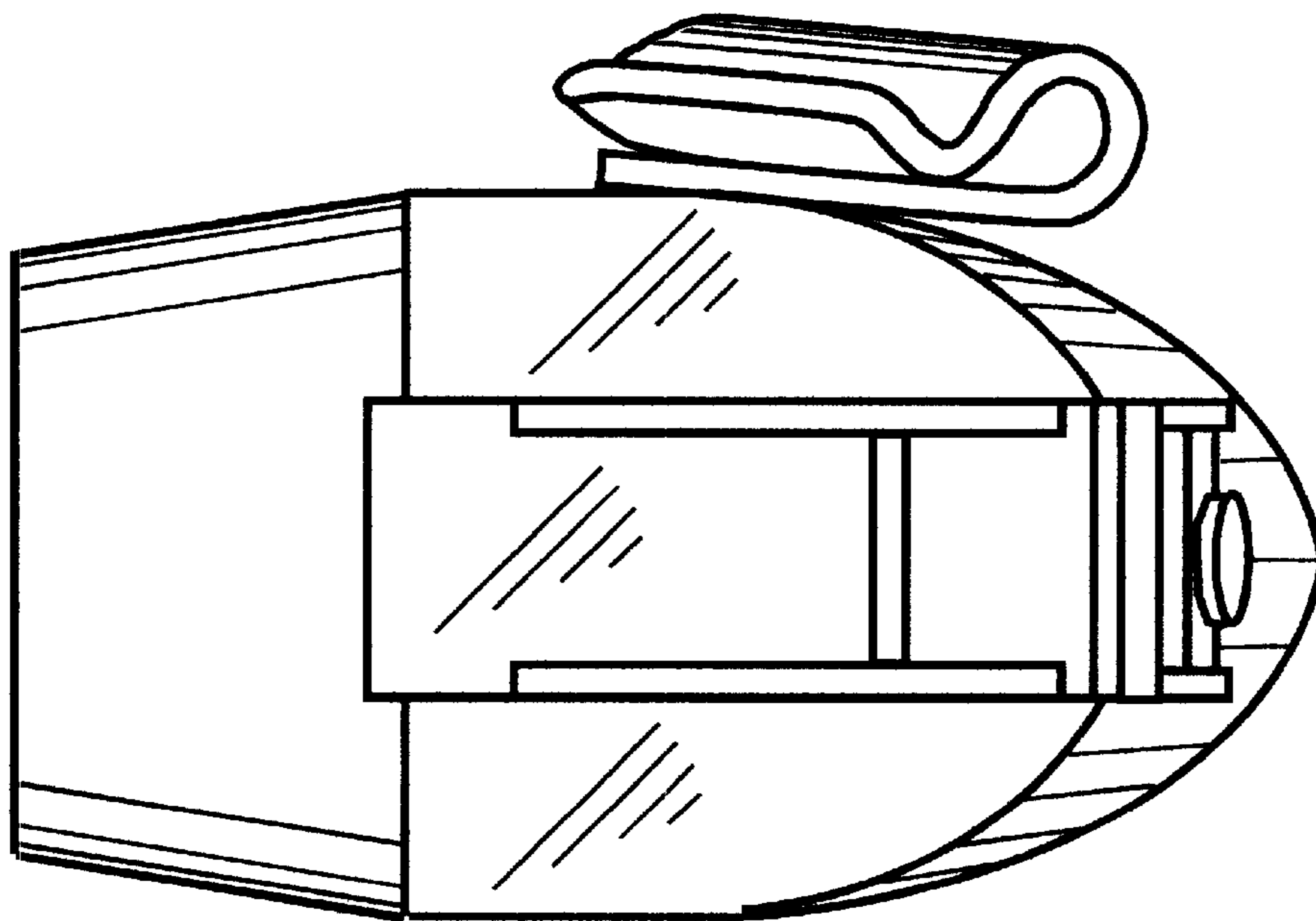


FIG 6