



US00D461238S

(12) **United States Design Patent**  
**Horng**

(10) **Patent No.:** **US D461,238 S**

(45) **Date of Patent:** **\*\* Aug. 6, 2002**

(54) **CASE OF A HEAT DISSIPATING FAN**

(75) Inventor: **Alex Horng**, Kaohsiung (TW)

(73) Assignee: **Sunonwealth Electric Machine Industry Co., Ltd.**, Kaohsiung (TW)

(\*\*) Term: **14 Years**

(21) Appl. No.: **29/149,097**

(22) Filed: **Oct. 4, 2001**

(51) **LOC (7) Cl.** ..... **23-04**

(52) **U.S. Cl.** ..... **D23/411; D23/379**

(58) **Field of Search** ..... **D23/370, 379, D23/411; 361/695, 697; 165/122, 80.3, 121; 454/184**

(56) **References Cited**

**U.S. PATENT DOCUMENTS**

- 5,335,722 A \* 8/1994 Wu ..... 361/697
- 6,186,889 B1 \* 2/2001 Byrne ..... 361/395
- 6,322,042 B1 \* 11/2001 Nemec ..... 361/695

\* cited by examiner

*Primary Examiner*—Lisa Lichtenstein

(74) *Attorney, Agent, or Firm*—Bacon & Thomas, PLLC

(57) **CLAIM**

The ornamental design for a case of a heat dissipating fan, as shown.

**DESCRIPTION**

FIG. 1 is a perspective view of the case of a heat dissipating fan in accordance with the embodiment of the claimed design;

FIG. 2 is a right side elevational view thereof;

FIG. 3 is a top plan view thereof;

FIG. 4 is a front elevational view thereof;

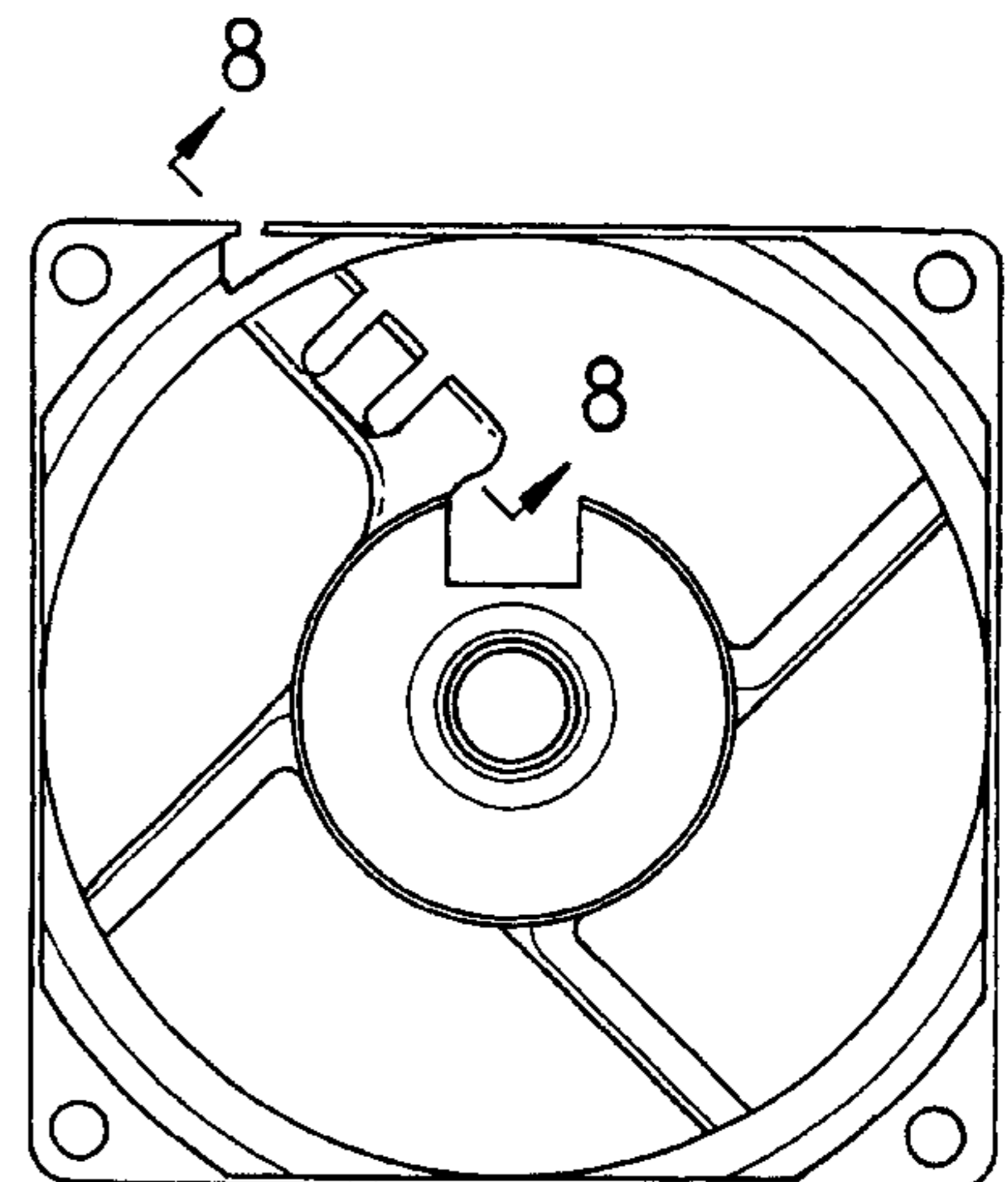
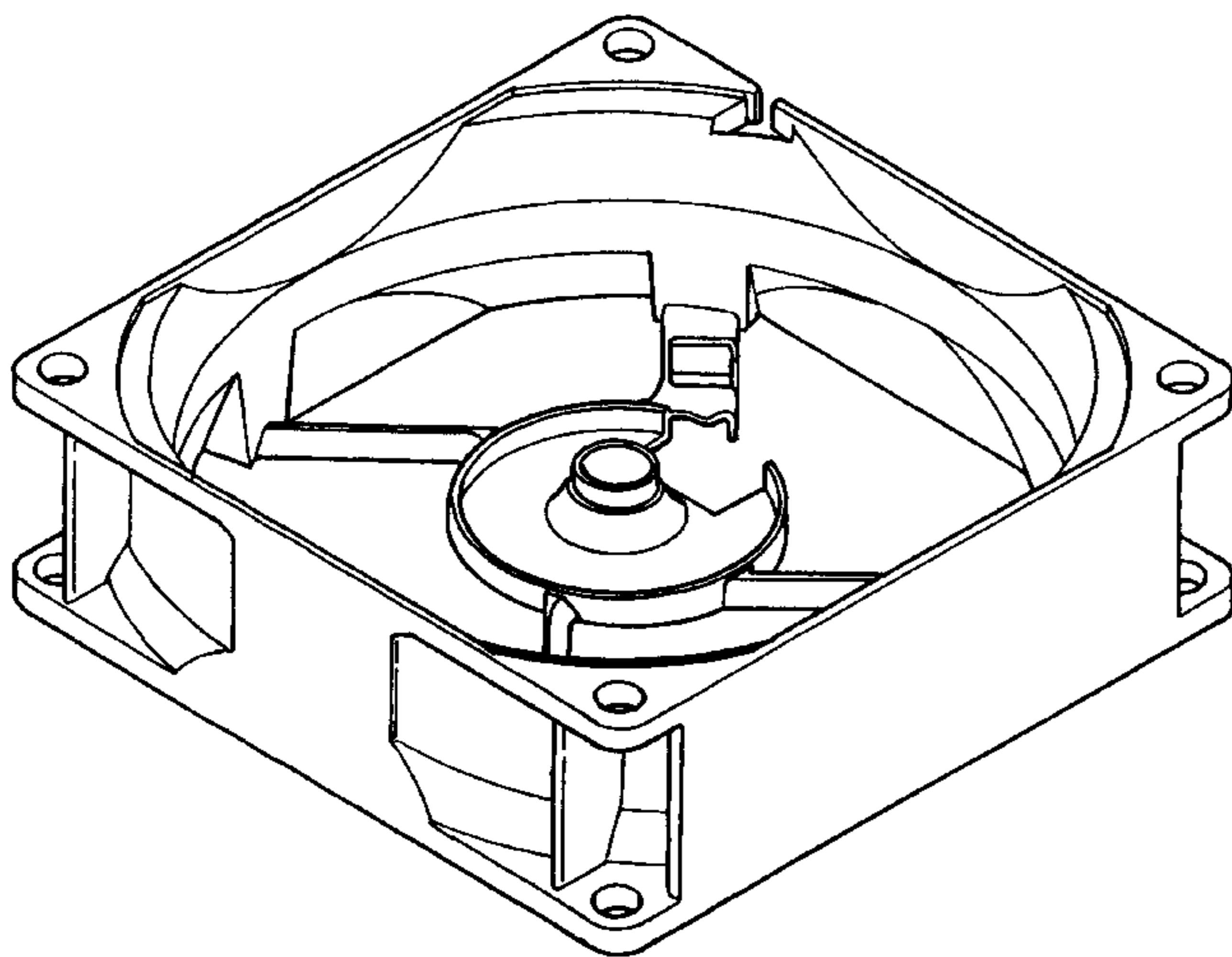
FIG. 5 is a bottom plan view thereof;

FIG. 6 is a left side elevational view thereof;

FIG. 7 is a rear elevational view thereof; and,

FIG. 8 is an enlarged cross-sectional view taken along the line 8—8 in FIG. 3.

**1 Claim, 5 Drawing Sheets**



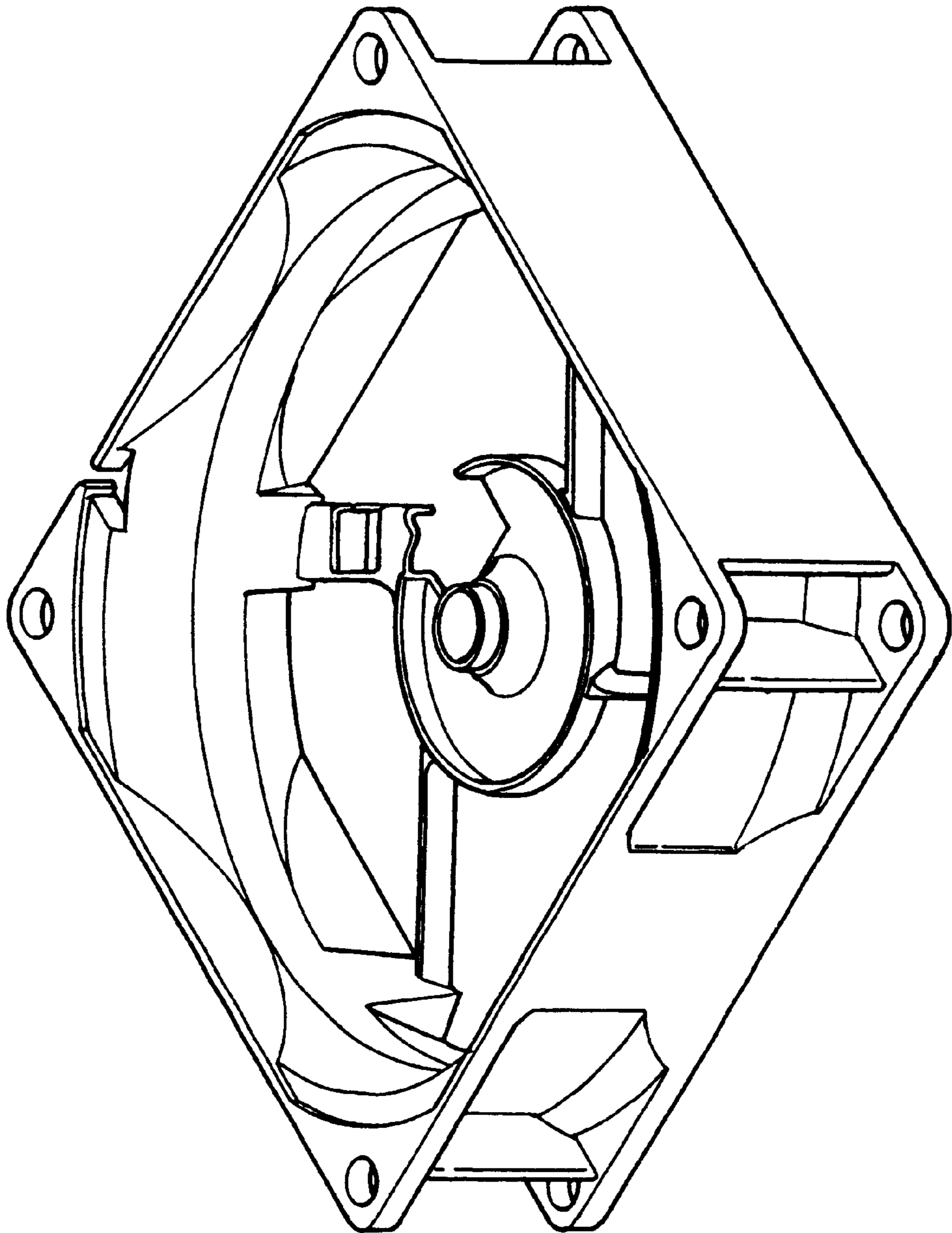


FIG. 1

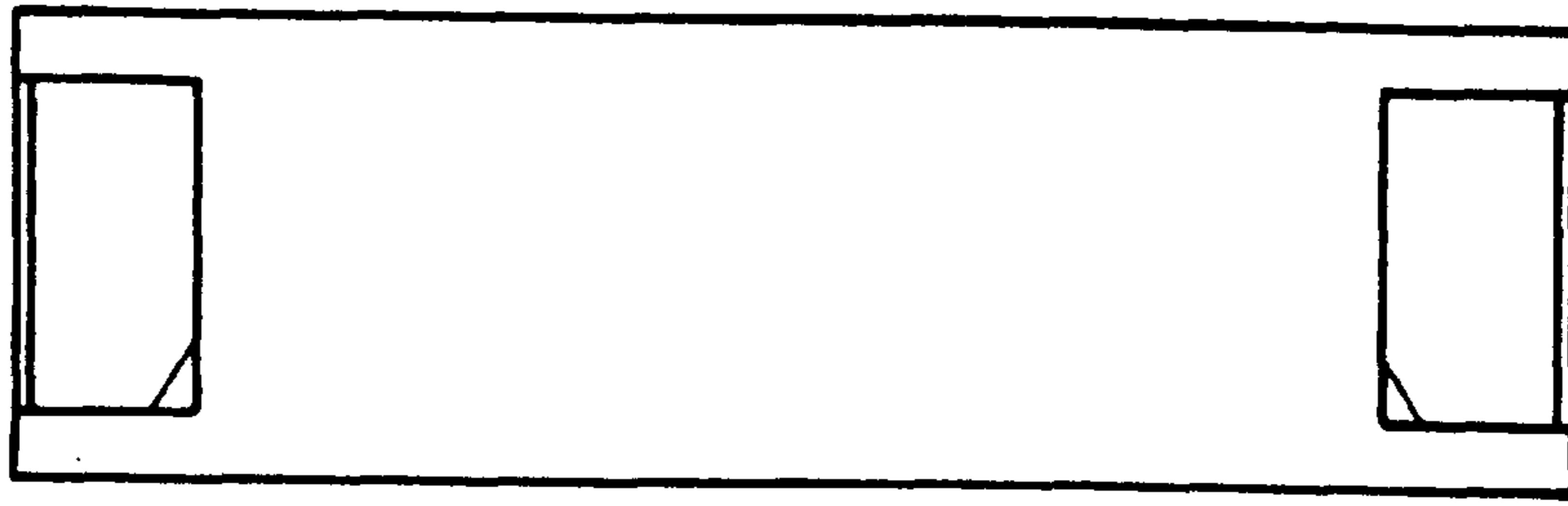


FIG. 2

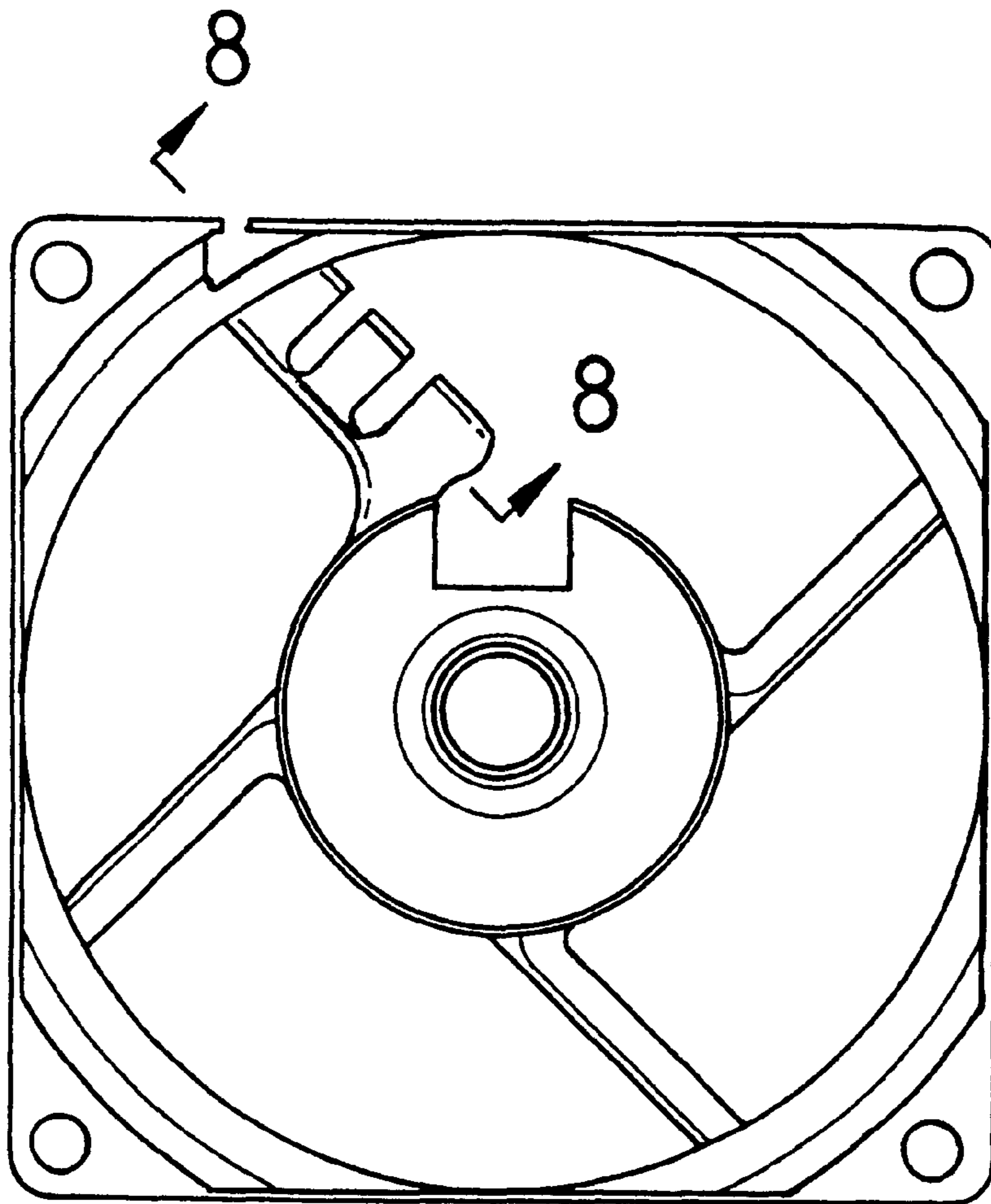


FIG. 3

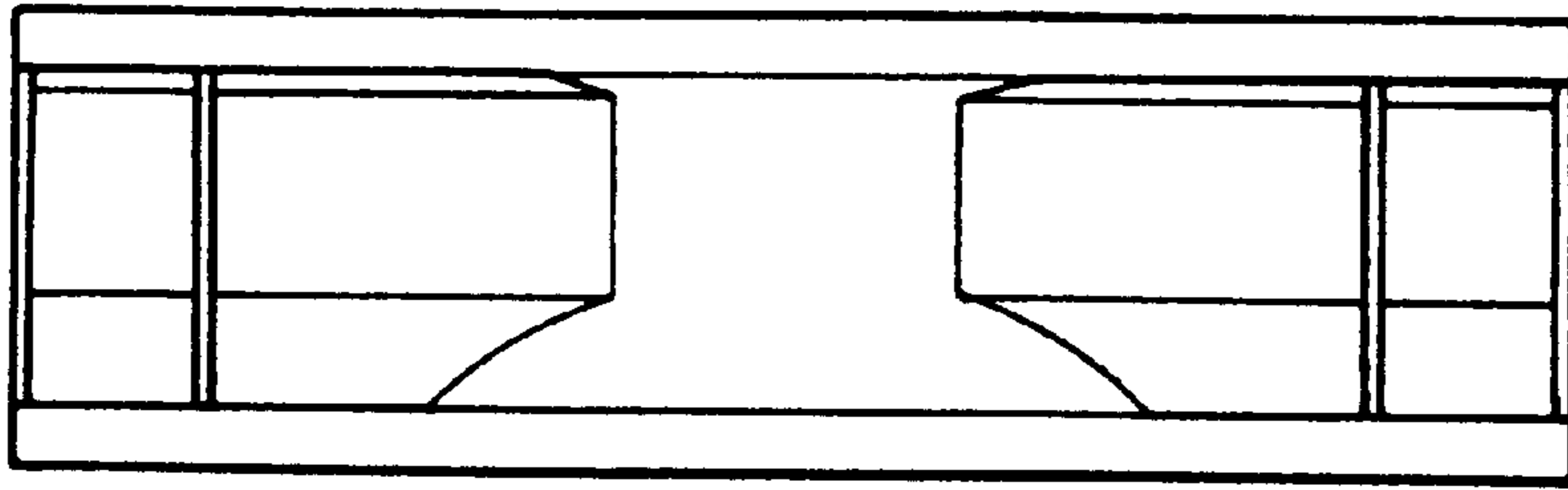


FIG. 4

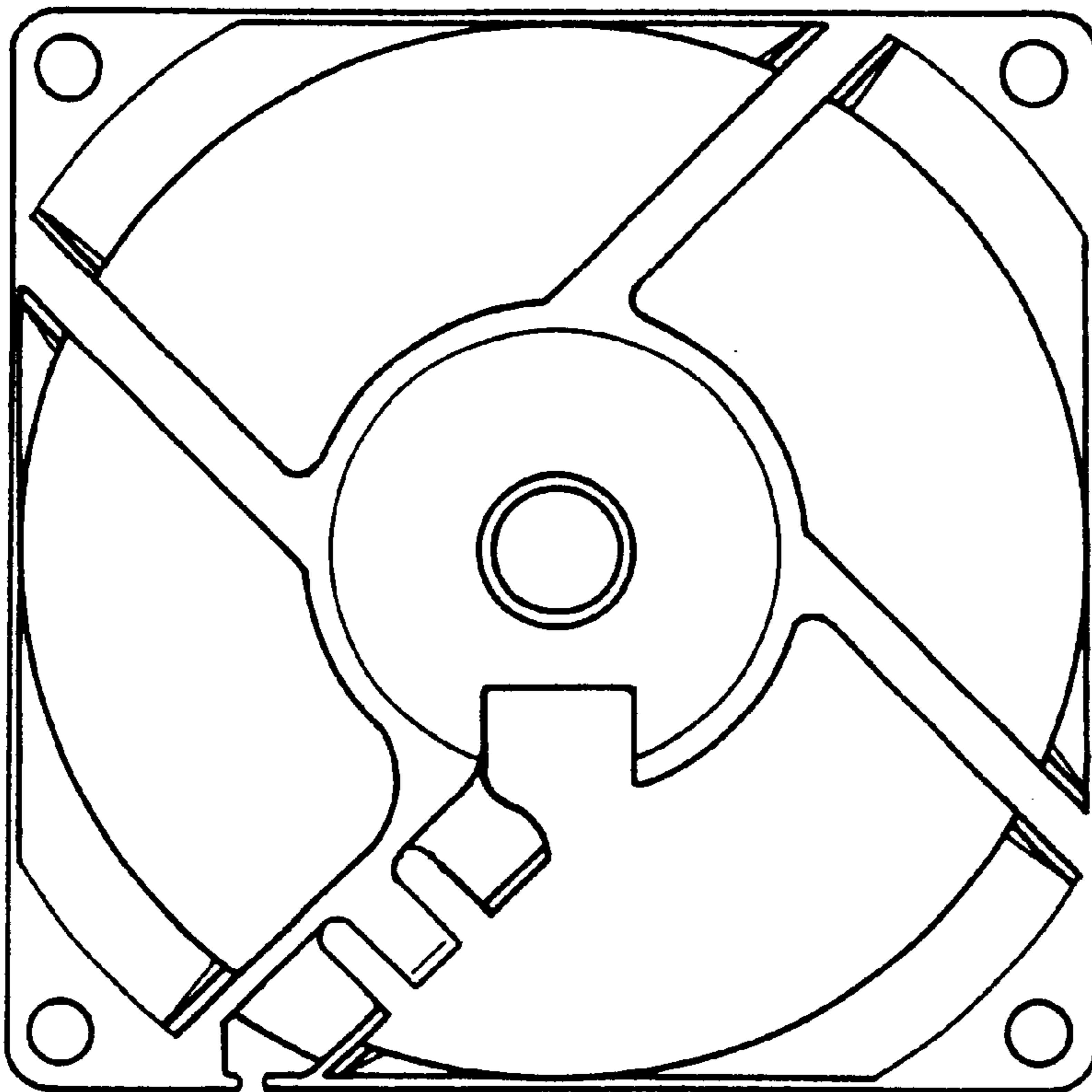
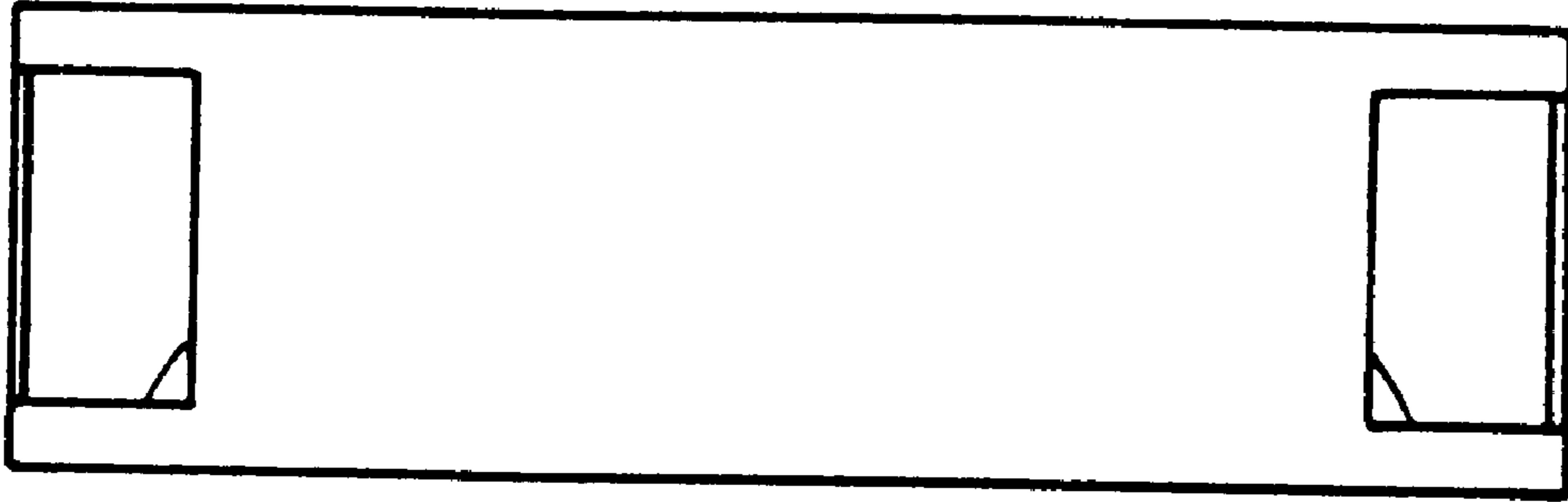
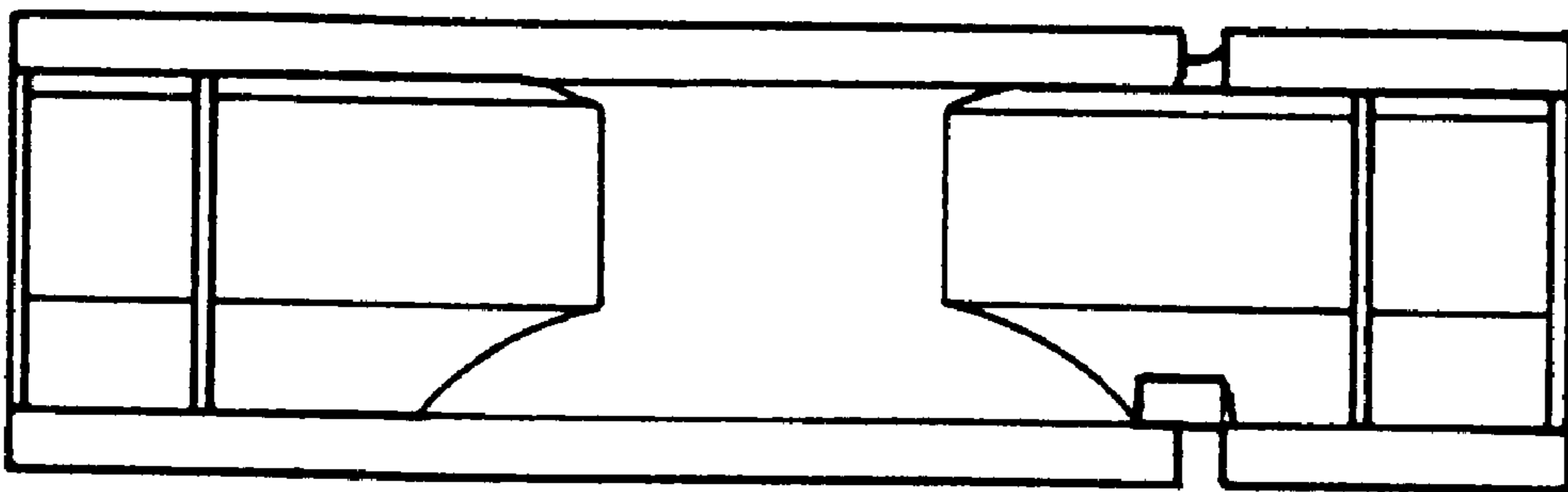


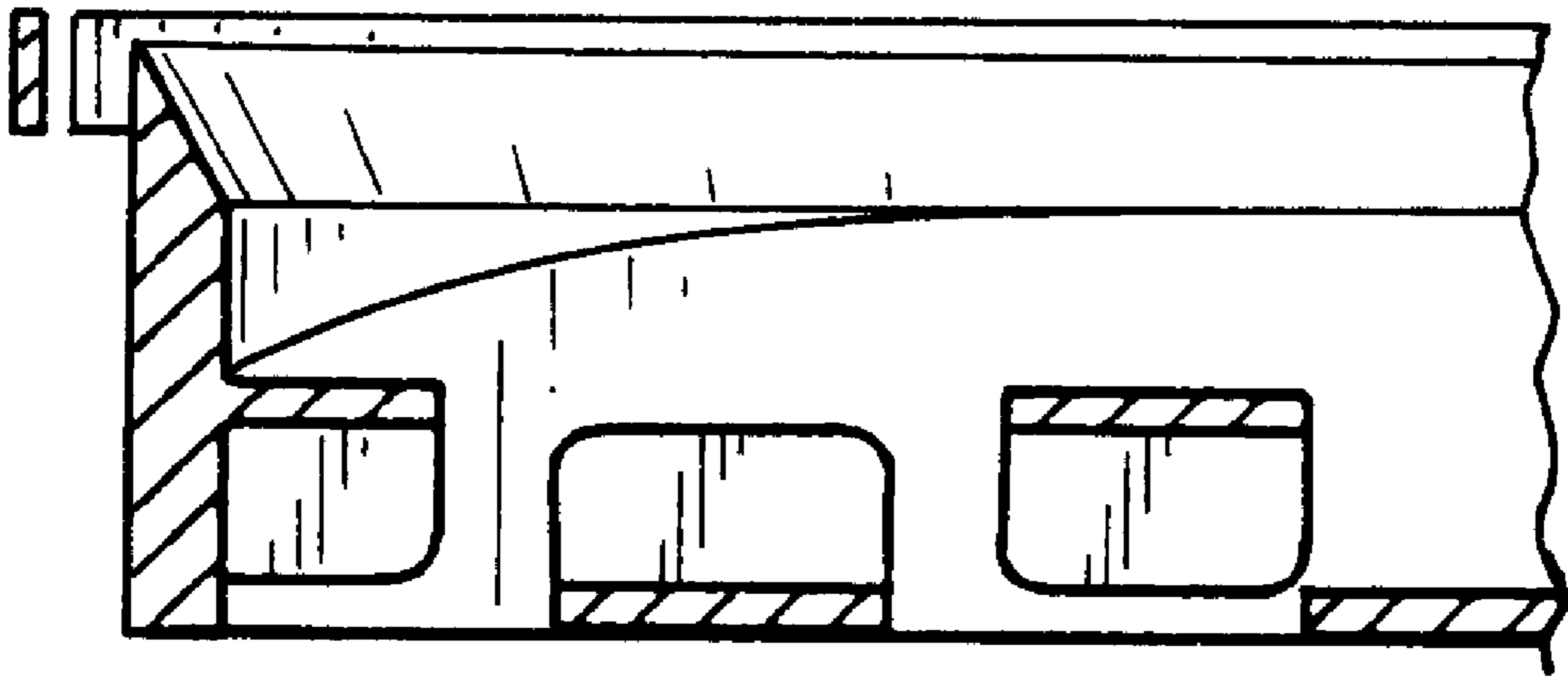
FIG. 5



**FIG. 6**



**FIG. 7**



**FIG. 8**