



US00D461235S

(12) **United States Design Patent**  
**Arlotta et al.**

(10) **Patent No.:** **US D461,235 S**

(45) **Date of Patent:** **\*\* Aug. 6, 2002**

(54) **BLADE FOR LOUVERED VENTILATION PANEL**

4,174,204 A \* 11/1979 Chase ..... 55/302  
D285,830 S \* 9/1986 Daily et al. .... D23/388

(75) Inventors: **Angelo Arlotta; David Kieseckamp,**  
both of Ottawa; **Bevin Schmidt,**  
Dunrobin, all of (CA)

\* cited by examiner

*Primary Examiner*—Mitchell Siegel

(74) *Attorney, Agent, or Firm*—Larson & Taylor, PLC

(73) Assignee: **Alcatel Canada Inc. (CA)**

(57) **CLAIM**

(\*\*) Term: **14 Years**

The ornamental design of a blade for louvered ventilation panel, as shown and described.

(21) Appl. No.: **29/144,144**

**DESCRIPTION**

(22) Filed: **Jun. 28, 2001**

**Related U.S. Application Data**

(62) Division of application No. 29/119,089, filed on Feb. 23, 2000, now Pat. No. Des. 449,680.

A portion of the disclosure of this patent document contains material to which a claim for copyright is made. The copyright owner has no objection to the facsimile reproduction by anyone of the patent document or the patent disclosure, as it appears in the Patent and Trademark Office patent file or records, but reserves all other copyright rights whatsoever.

(51) **LOC (7) Cl.** ..... **23-04**

(52) **U.S. Cl.** ..... **D23/393**

(58) **Field of Search** ..... D23/388, 393;  
454/201, 338; 55/283, 294, 302, 337, 418;  
62/262, 263, 427, 429

FIG. 1 is a front elevational view of an embodiment of the blade for louvered ventilation panel;  
FIG. 2 is a right hand view thereof, the left hand view thereof being a mirror view of the said right hand view;  
FIG. 3 is a front isometric view thereof; and,  
FIG. 4 is a rear isometric view thereof.

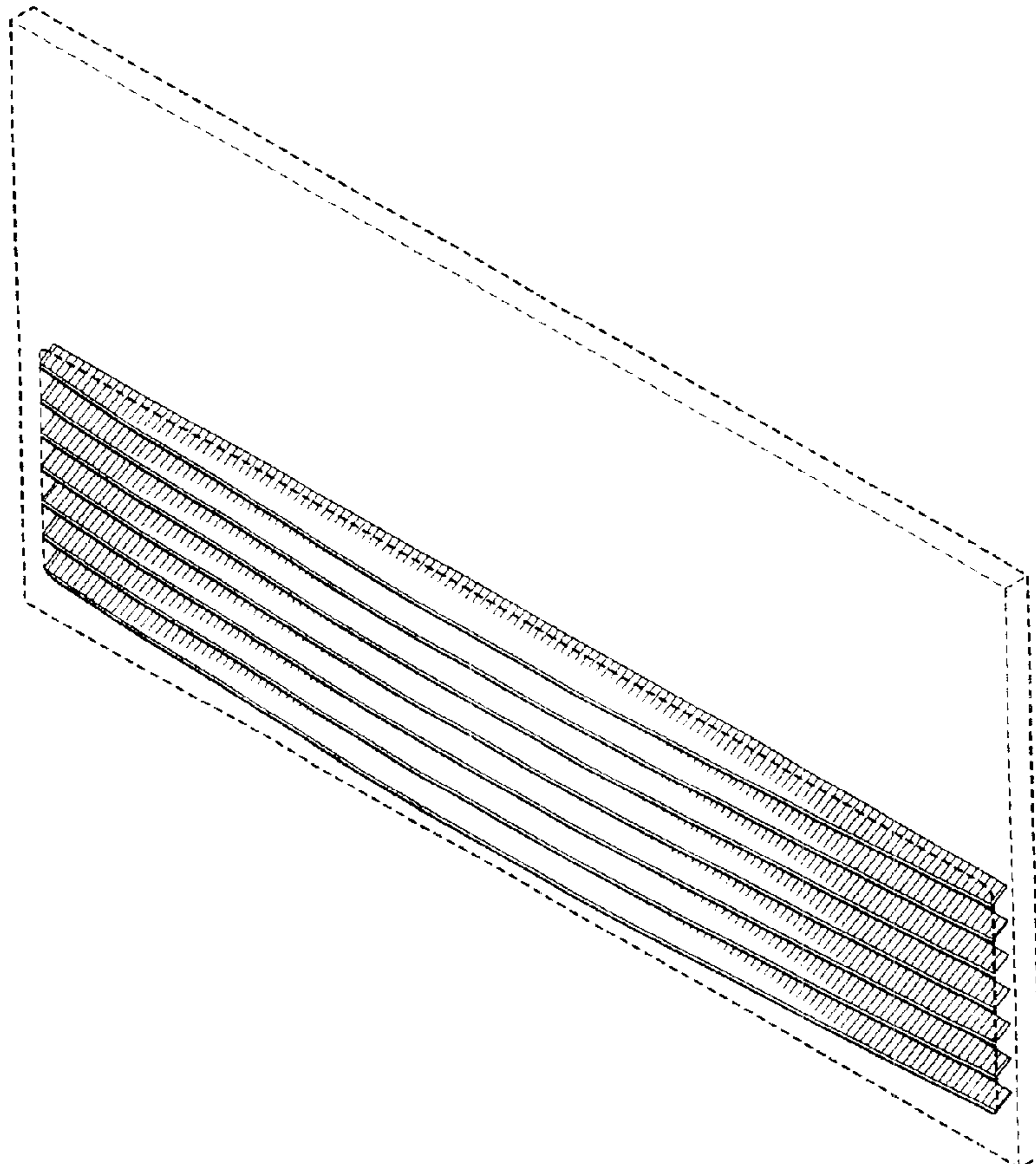
(56) **References Cited**

The broken line showings of FIGS. 1 to 4 are for illustrative purposes only and form no part of the claimed design.

**U.S. PATENT DOCUMENTS**

D103,308 S \* 2/1937 Covell ..... D23/388  
3,783,637 A \* 1/1974 Woods ..... 454/338

**1 Claim, 2 Drawing Sheets**



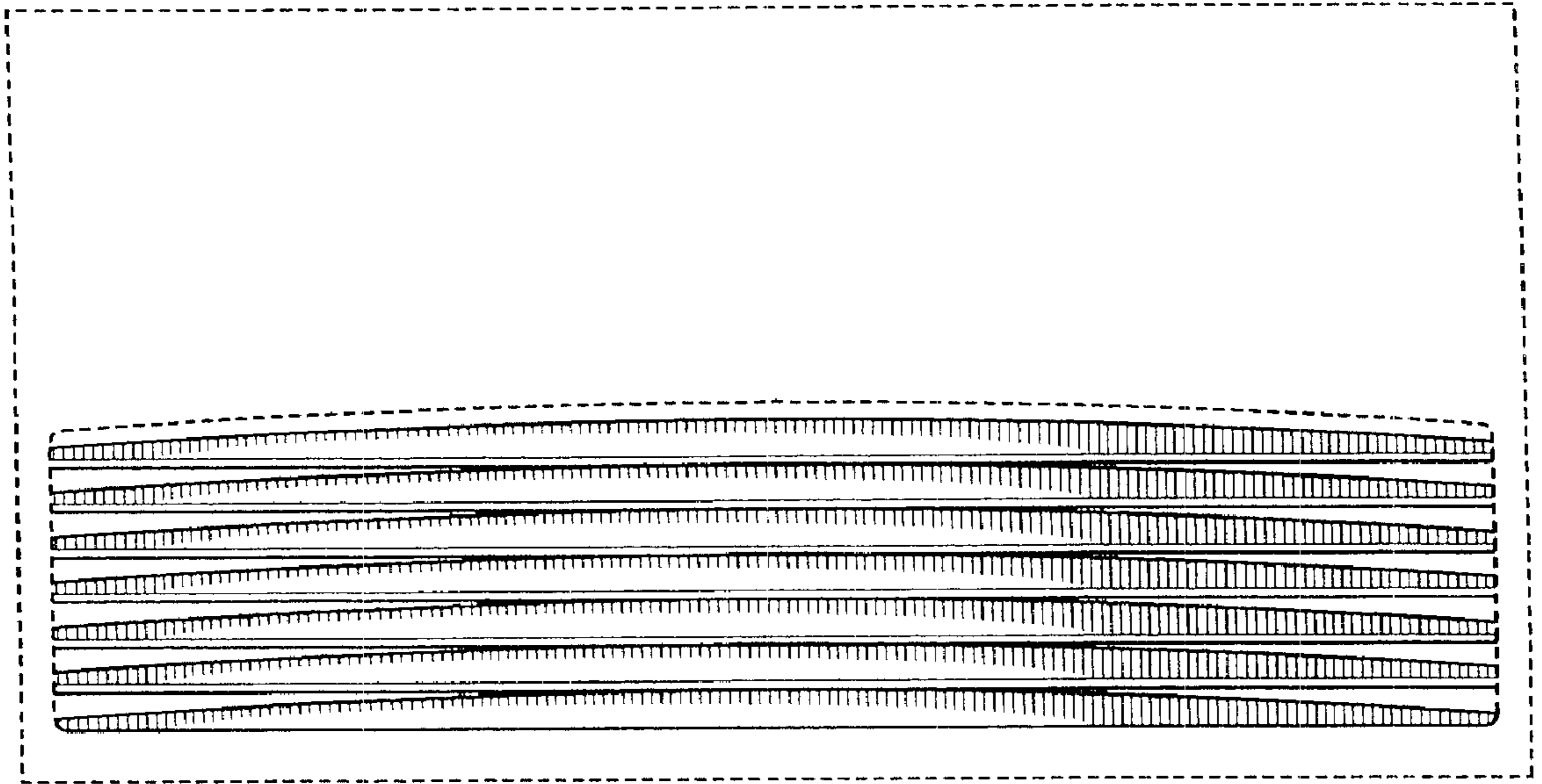


Figure 1



Figure 2



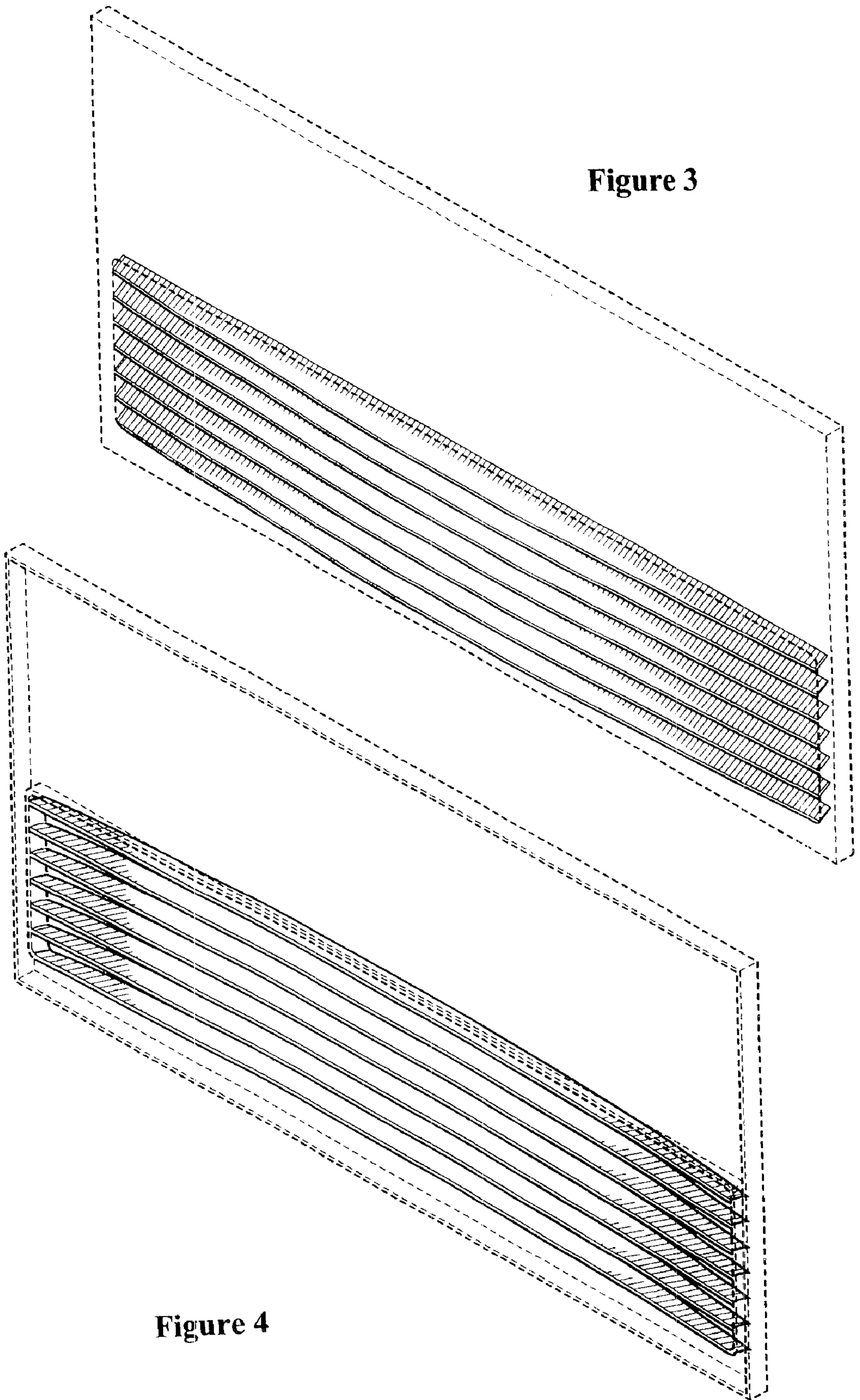


Figure 3

Figure 4