



US00D461234S

(12) **United States Design Patent**  
**Hanna**

(10) **Patent No.:** **US D461,234 S**

(45) **Date of Patent:** **\*\* Aug. 6, 2002**

(54) **EXHALATION WATER TRAP AND FILTER ADAPTER**

(76) **Inventor:** **Edward G. Hanna**, 4611 Jeanean La., Yorba Linda, CA (US) 92886

(\*\*) **Term:** **14 Years**

(21) **Appl. No.:** **29/145,811**

(22) **Filed:** **Jul. 30, 2001**

(51) **LOC (7) Cl.** ..... **23-01**

(52) **U.S. Cl.** ..... **D23/268**

(58) **Field of Search** ..... D23/268, 209;  
4/681, 679, 290-2, 286-287

(56) **References Cited**

**U.S. PATENT DOCUMENTS**

2,302,617	A	*	11/1942	Little	.....	D23/268
D202,096	S	*	8/1965	Parks	.....	D23/268
D295,780	S	*	5/1988	Thomas	.....	D23/268
6,049,922	A	*	4/2000	Gleason	.....	4/681
6,153,095	A	*	11/2000	Francisco	.....	4/292
6,308,350	B1	*	10/2001	Marchionda	.....	4/679

\* cited by examiner

*Primary Examiner*—Robin V. Taylor

(74) *Attorney, Agent, or Firm*—Stetina Brunda Garred & Brucker

(57) **CLAIM**

The ornamental design for a exhalation water trap and filter adapter, as shown and described.

**DESCRIPTION**

FIG. 1 is a side perspective view of the exhalation water trap and filter adapter of the present invention showing my new design with the phantom lines depicting solely environmental structure and forming no part of the claimed design;

FIG. 2 is a side elevational view thereof;

FIG. 3 is a back end view thereof;

FIG. 4 is a front end view thereof;

FIG. 5 is a bottom plan view thereof; and

FIG. 6 is a top plan view thereof;

FIG. 7 is a side perspective view of a second embodiment of the exhalation water trap and filter adapter of the present invention showing my new design with the phantom lines depicting solely environmental structure and forming no part of the claimed design;

FIG. 8 is a side elevational view thereof;

FIG. 9 is a back end view thereof;

FIG. 10 is a front end view thereof;

FIG. 11 is a bottom plan view thereof; and,

FIG. 12 is a top plan view thereof.

**1 Claim, 2 Drawing Sheets**

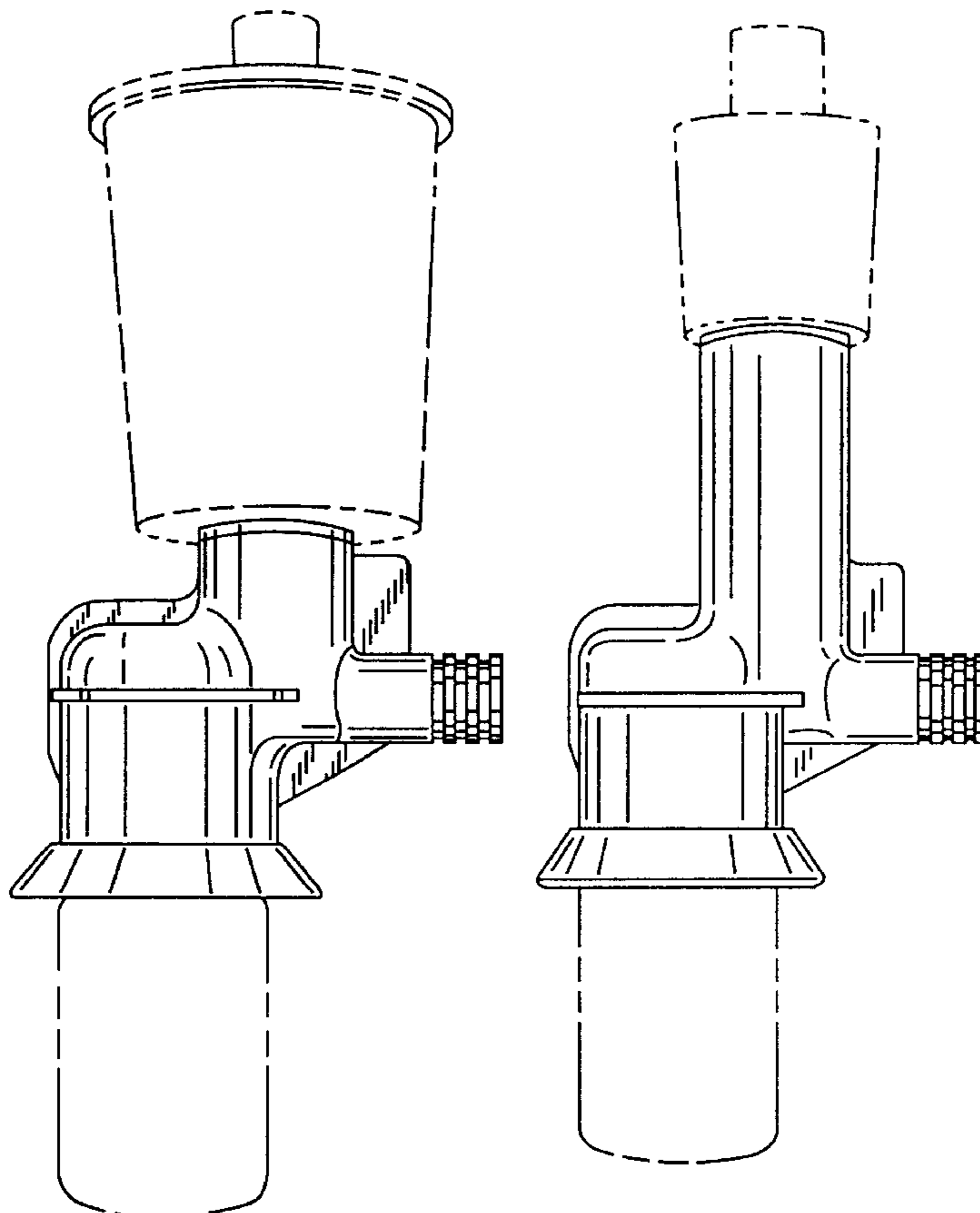


Fig. 1

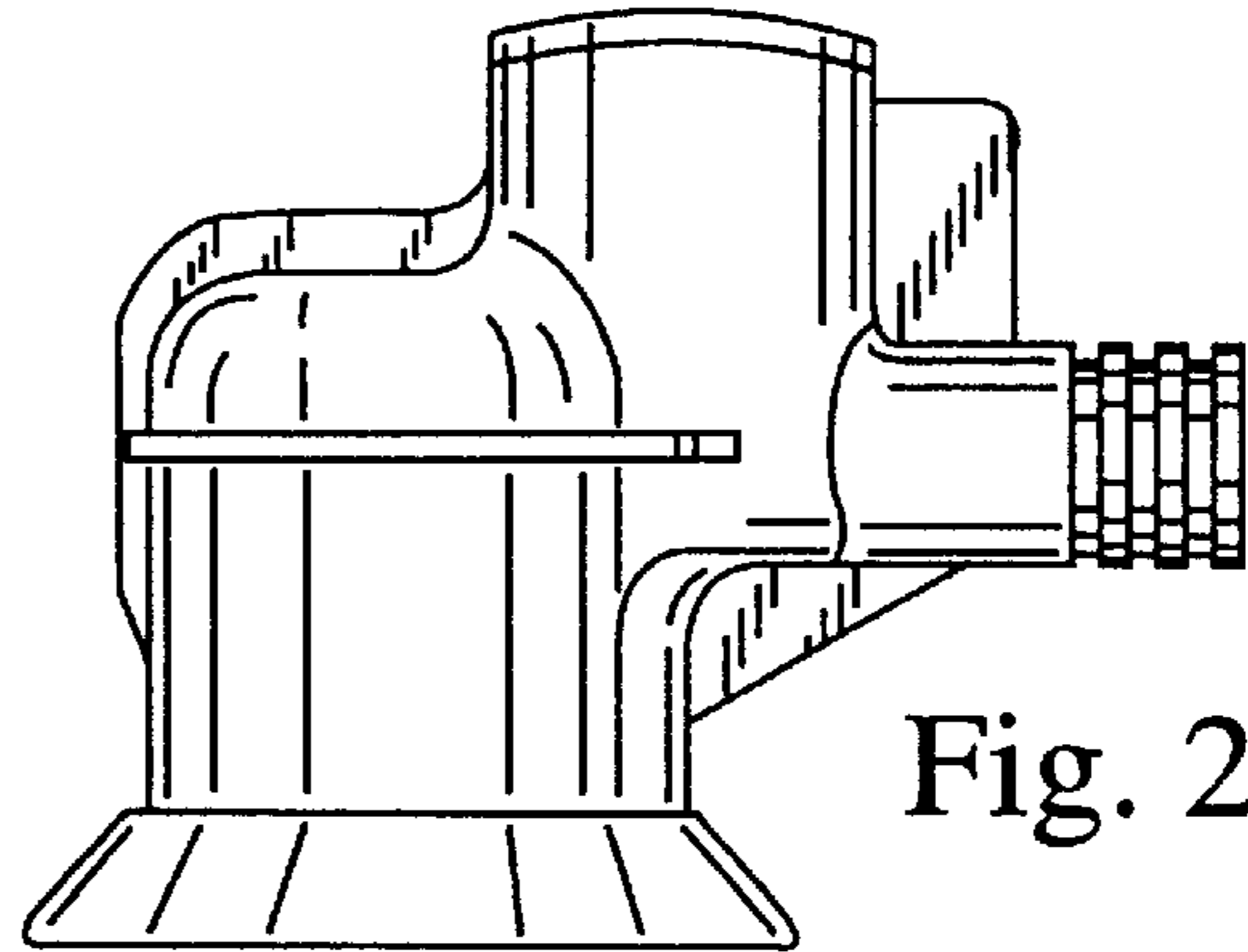
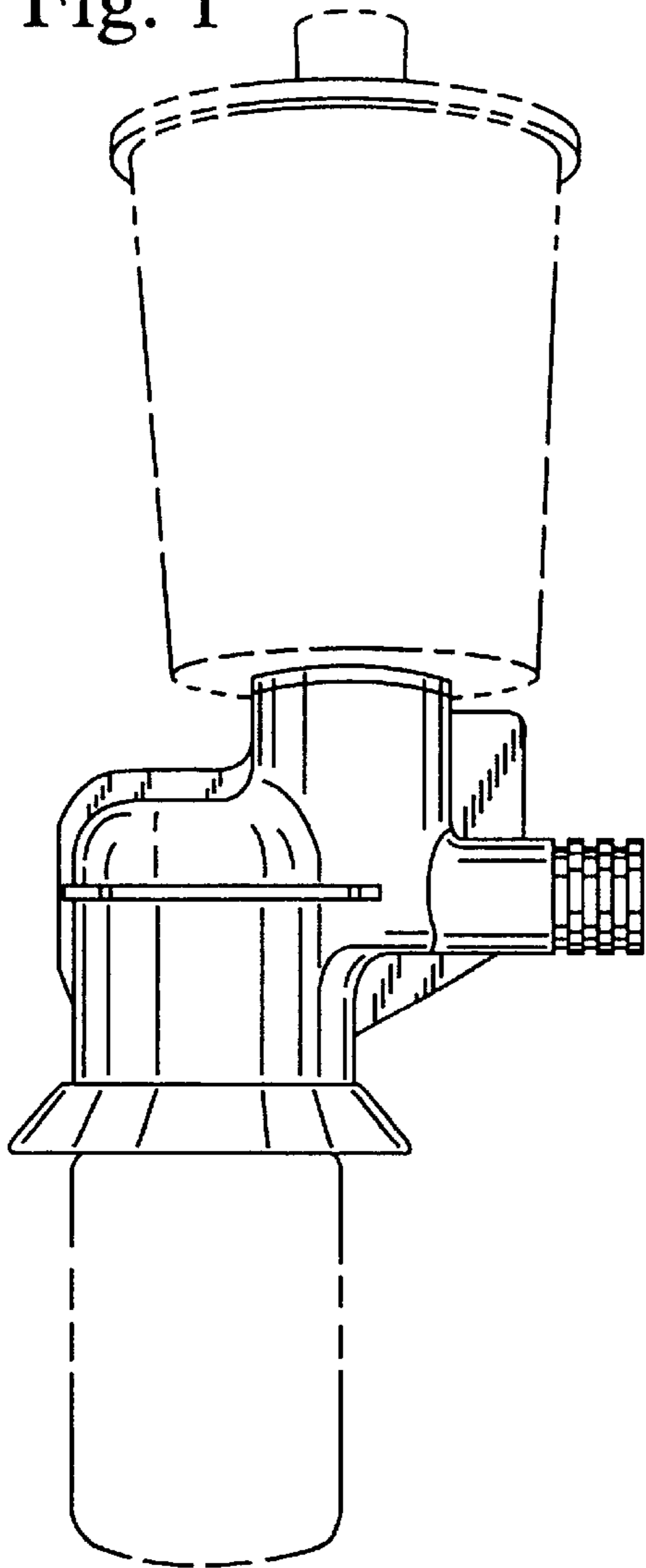


Fig. 2

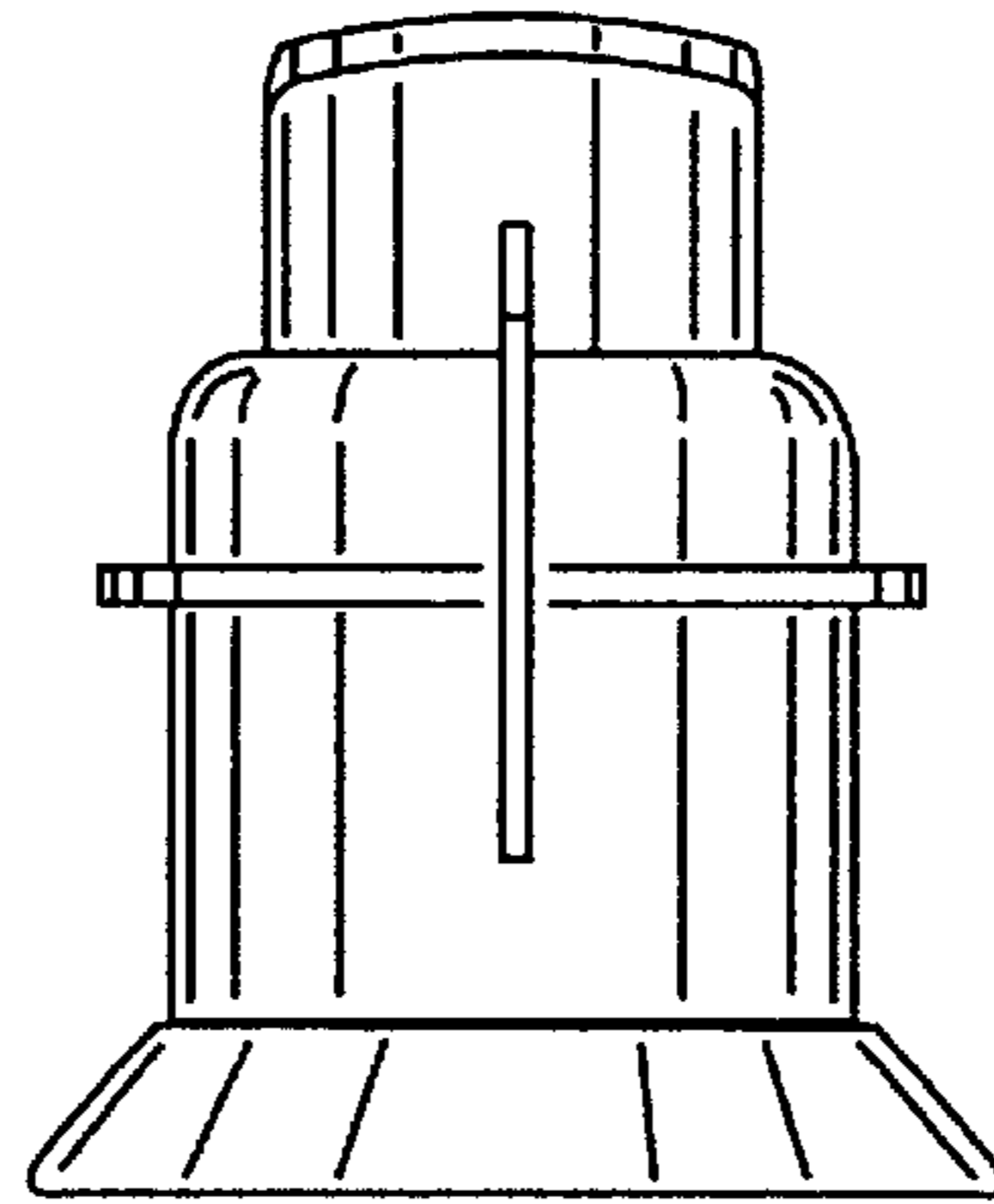


Fig. 3

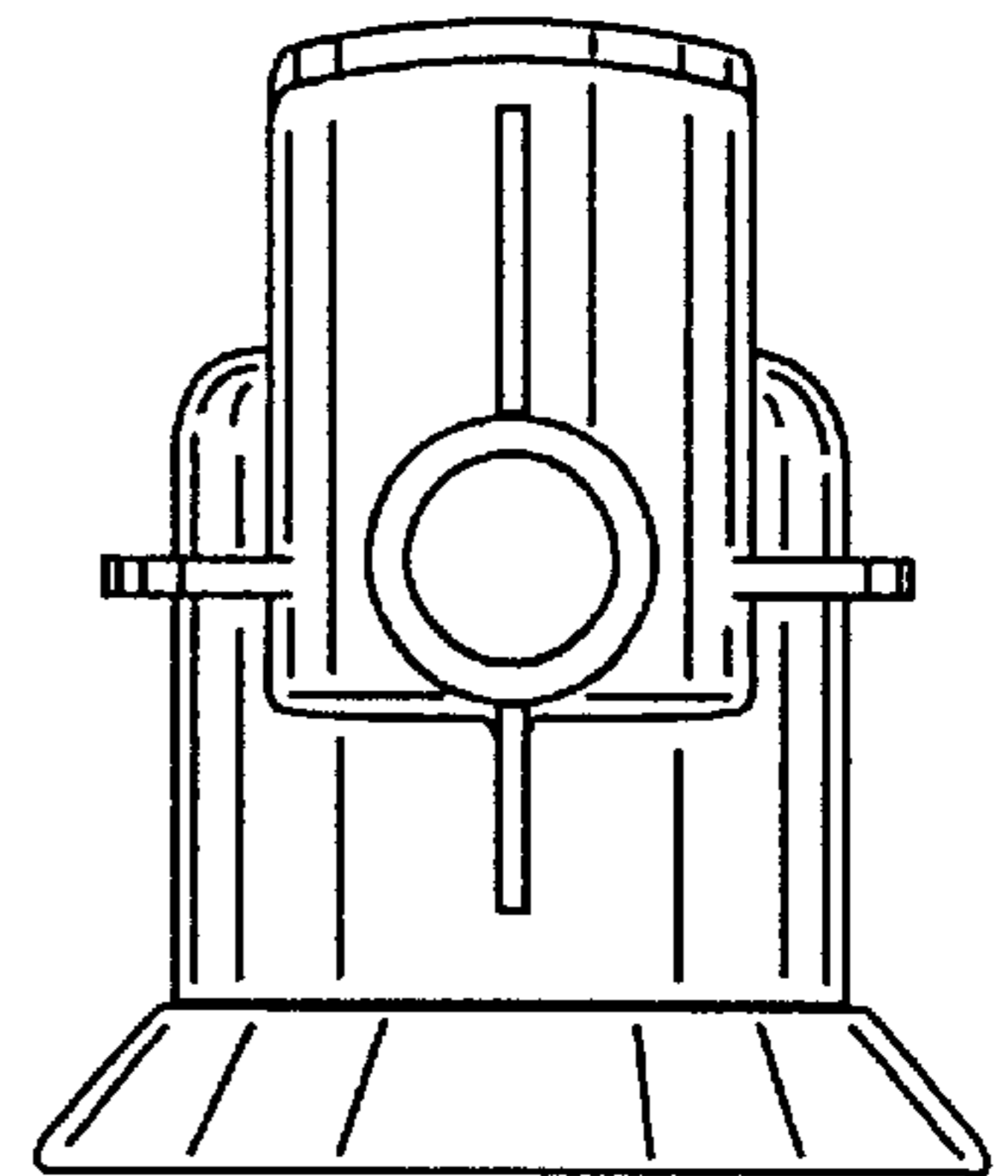


Fig. 4

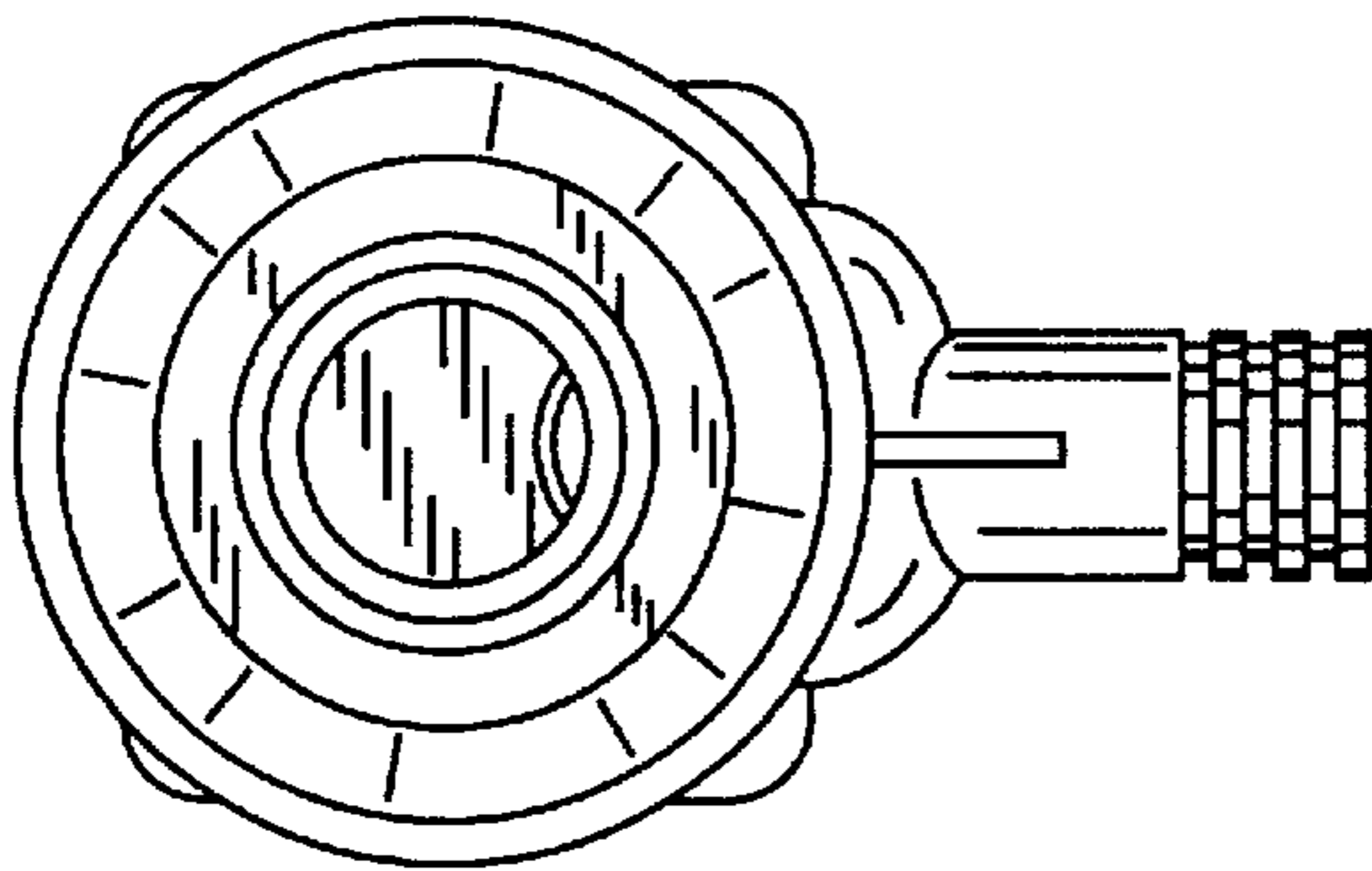


Fig. 5

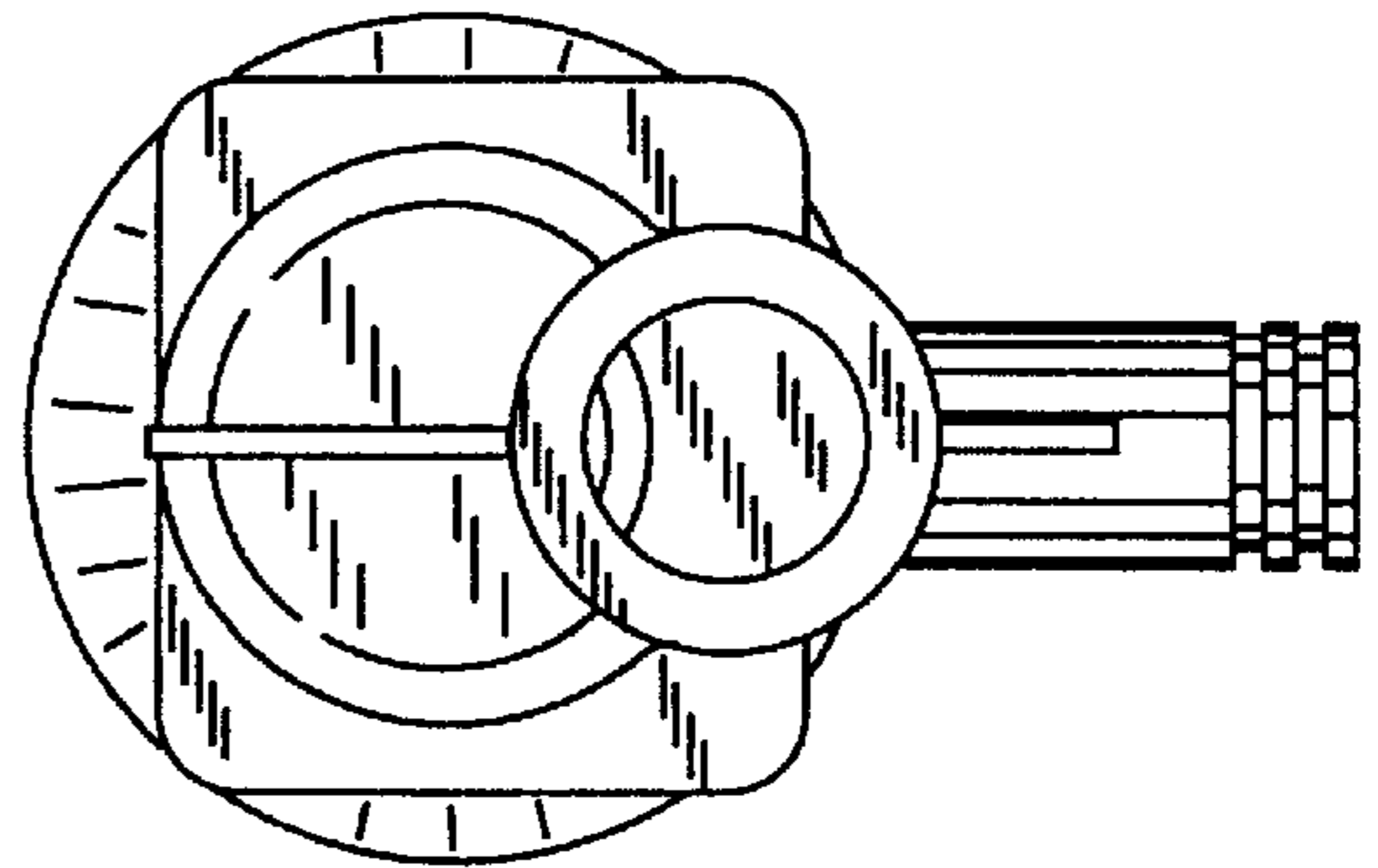


Fig. 6

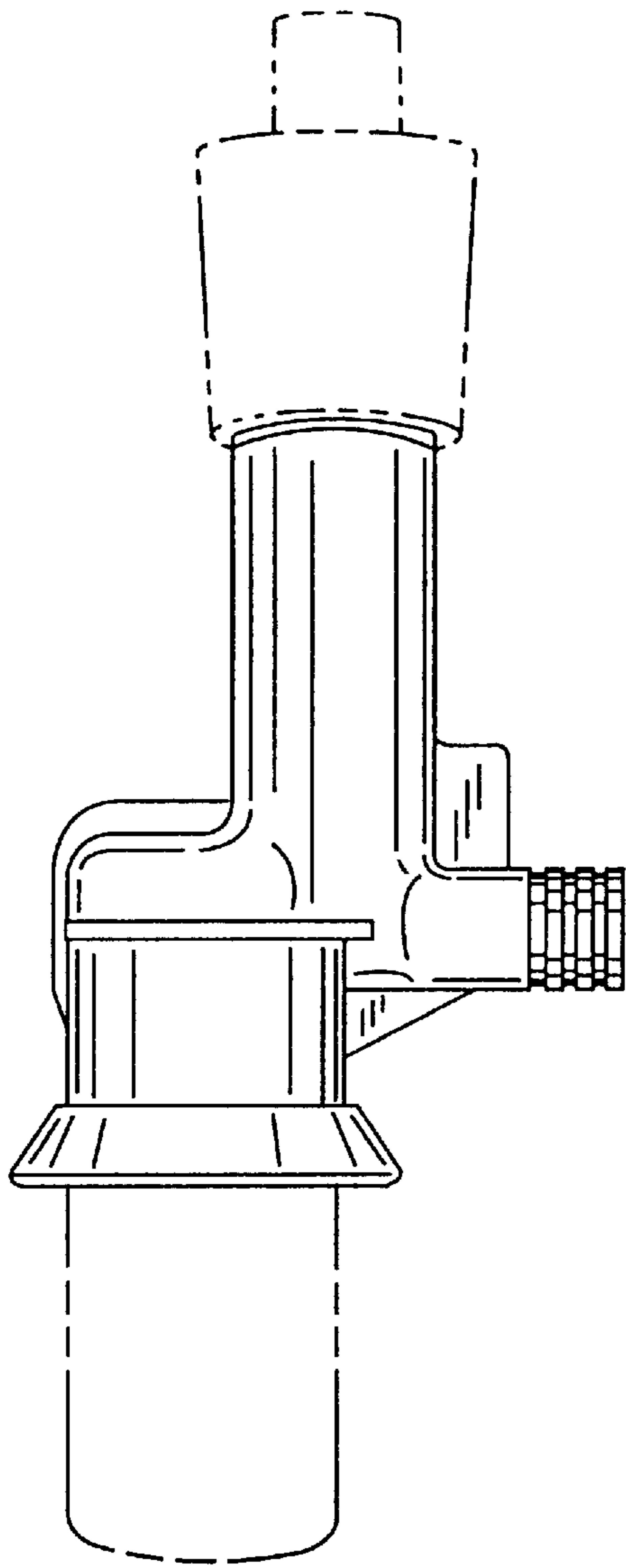


Fig. 7

Fig. 8

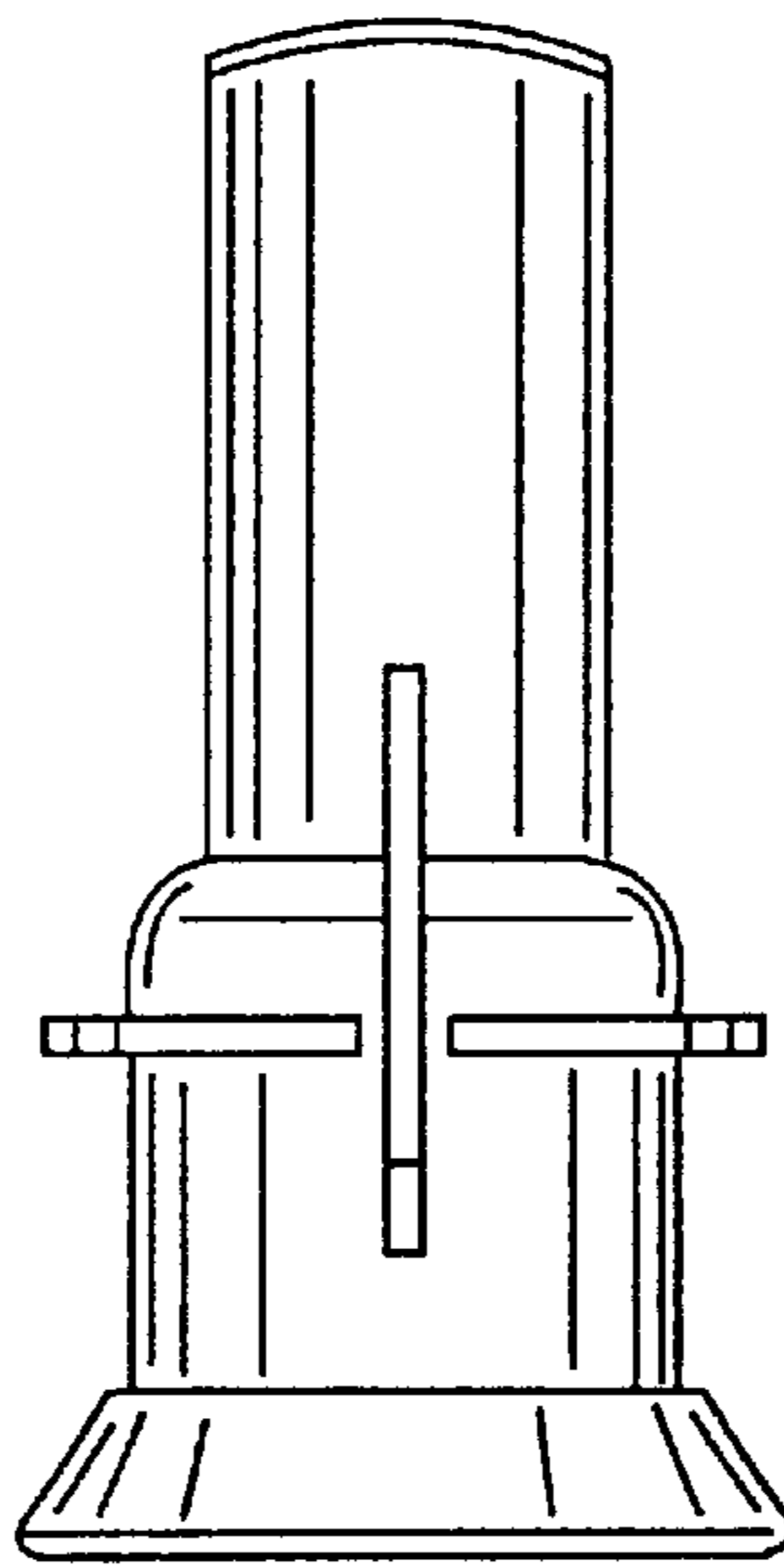
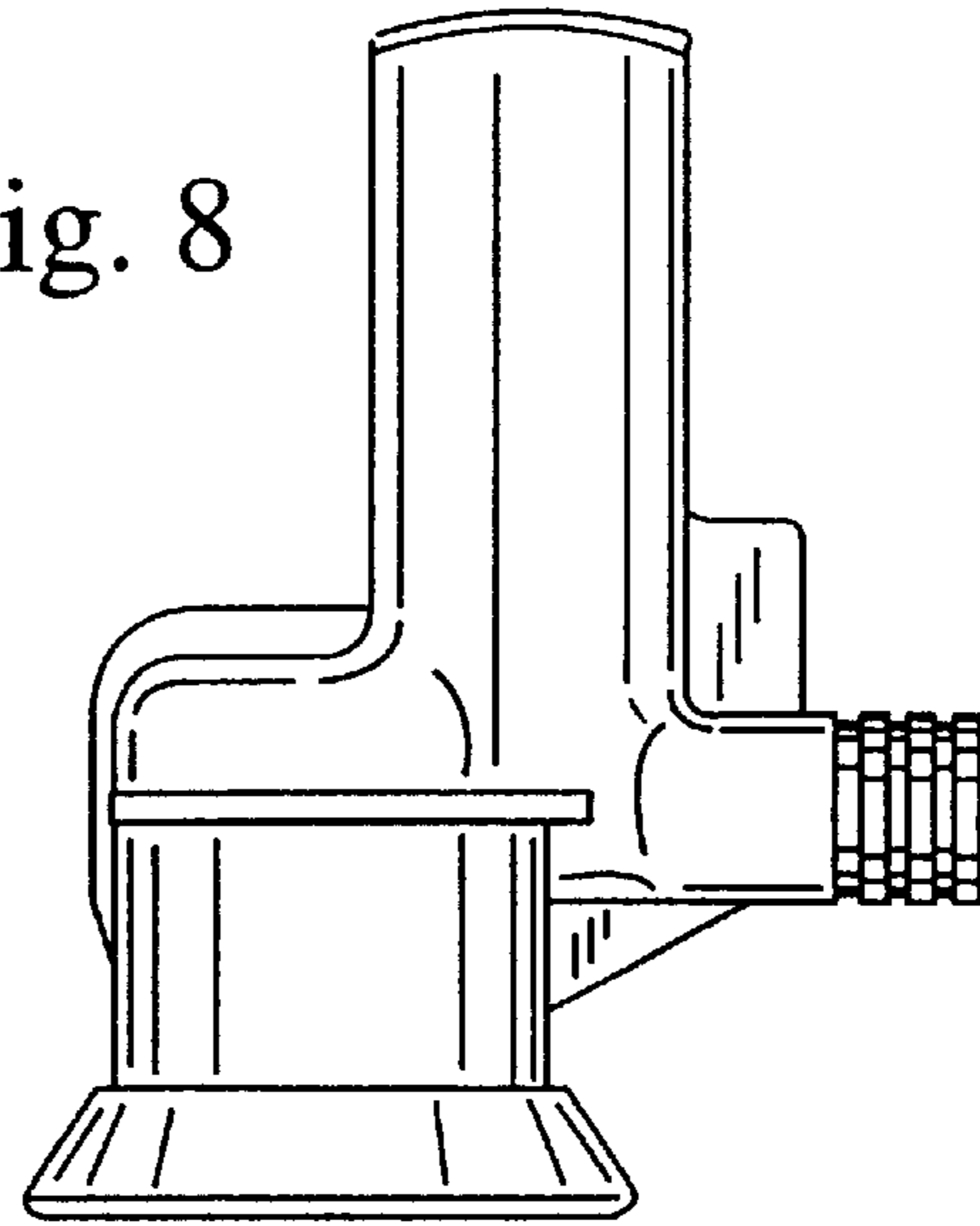


Fig. 9

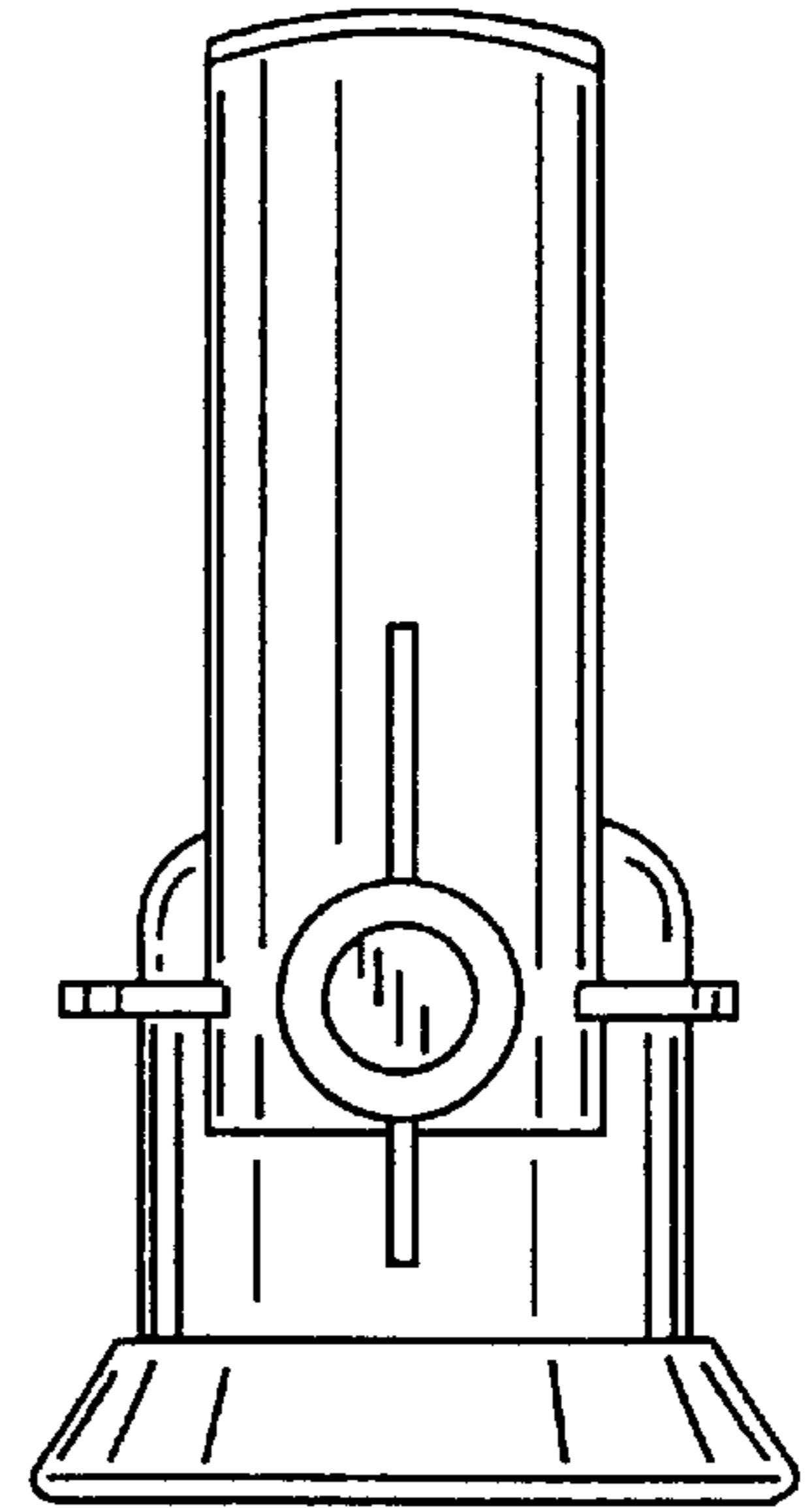


Fig. 10

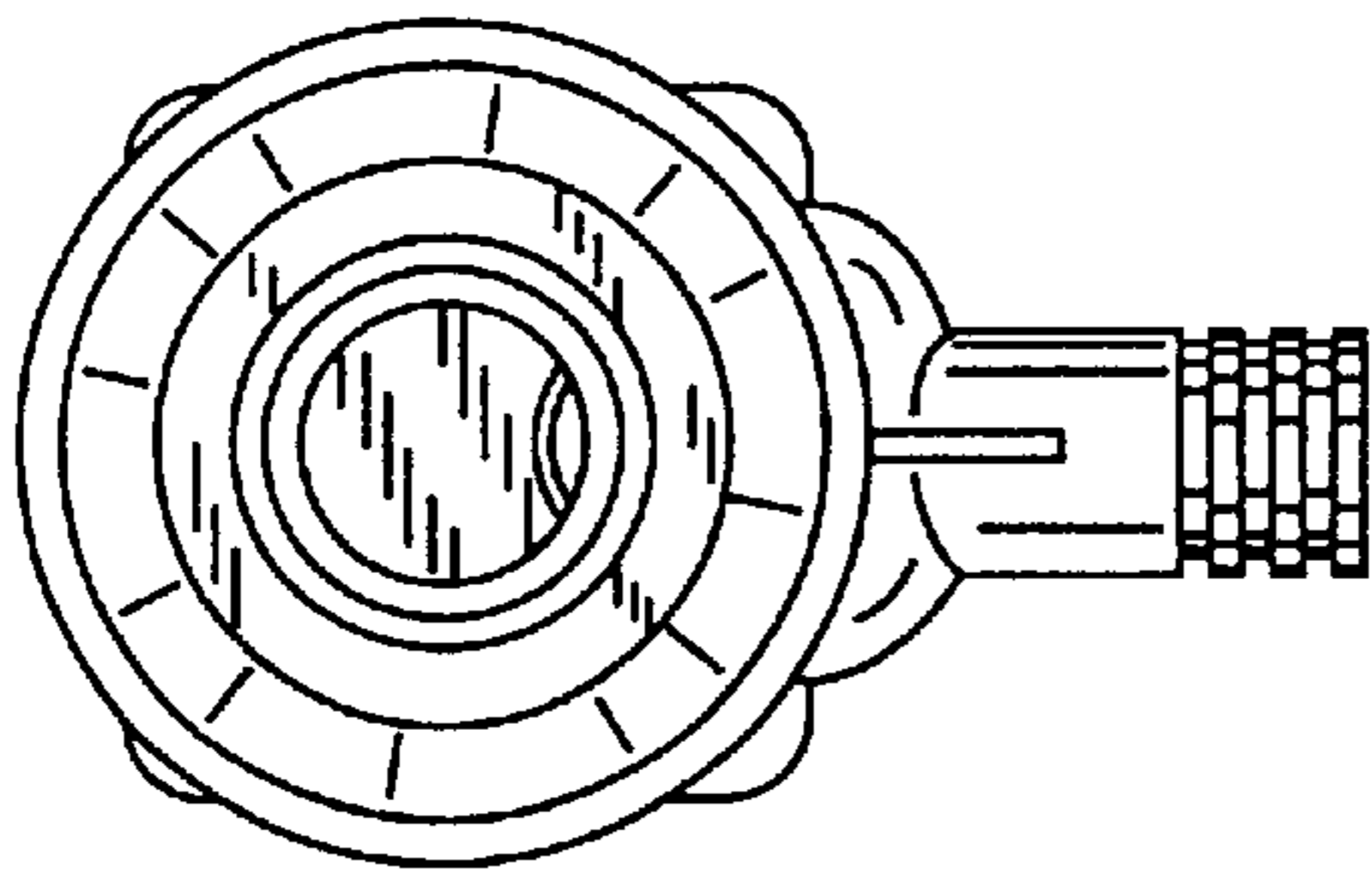


Fig. 11

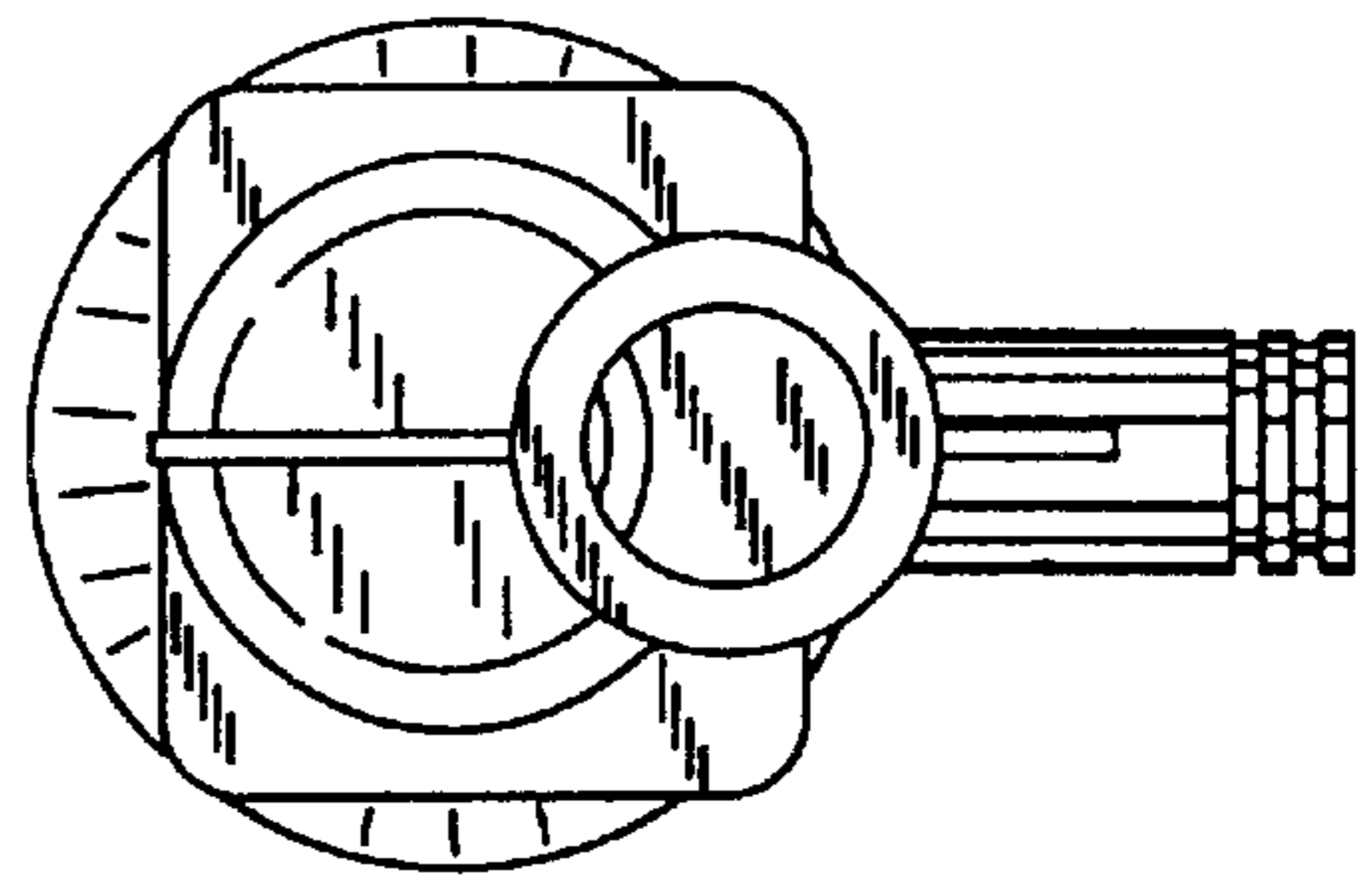


Fig. 12