



US00D461232S

(12) **United States Design Patent**
Müllenmeister

(10) **Patent No.:** **US D461,232 S**

(45) **Date of Patent:** **** Aug. 6, 2002**

(54) **WALL-MOUNT WATER OUTLET SPOUT**

(75) Inventor: **Daniel Müllenmeister**, Havixbeck (DE)

(73) Assignee: **Friedrich Grohe AG & Co. KG**,
Hemer (DE)

(**) Term: **14 Years**

(21) Appl. No.: **29/145,434**

(22) Filed: **Jul. 23, 2001**

(30) **Foreign Application Priority Data**

Feb. 28, 2001 (DE) 4 01 02 070

(51) **LOC (7) Cl.** **23-01**

(52) **U.S. Cl.** **D23/257; D23/255**

(58) **Field of Search** **D23/238-257;**
4/675-678; 16/110 R-121; 137/801

(56) **References Cited**

U.S. PATENT DOCUMENTS

- D261,027 S * 9/1981 Klose D23/255
- D266,452 S * 10/1982 Fleischmann et al. D23/257
- D296,235 S * 6/1988 Schmitz D23/257
- D317,350 S * 6/1991 Freed D23/257

- D353,877 S * 12/1994 Rogers D23/255
- D365,143 S * 12/1995 Fabian D23/255
- D366,100 S * 1/1996 Doughty et al. D23/255
- D411,874 S * 7/1999 Ko D23/255
- D442,265 S * 5/2001 Marinov et al. D23/255
- D442,266 S * 5/2001 Marinov et al. D23/257

* cited by examiner

Primary Examiner—Louis S. Zarfaz

Assistant Examiner—Gregory Andoll

(74) *Attorney, Agent, or Firm*—Herbert Dubno

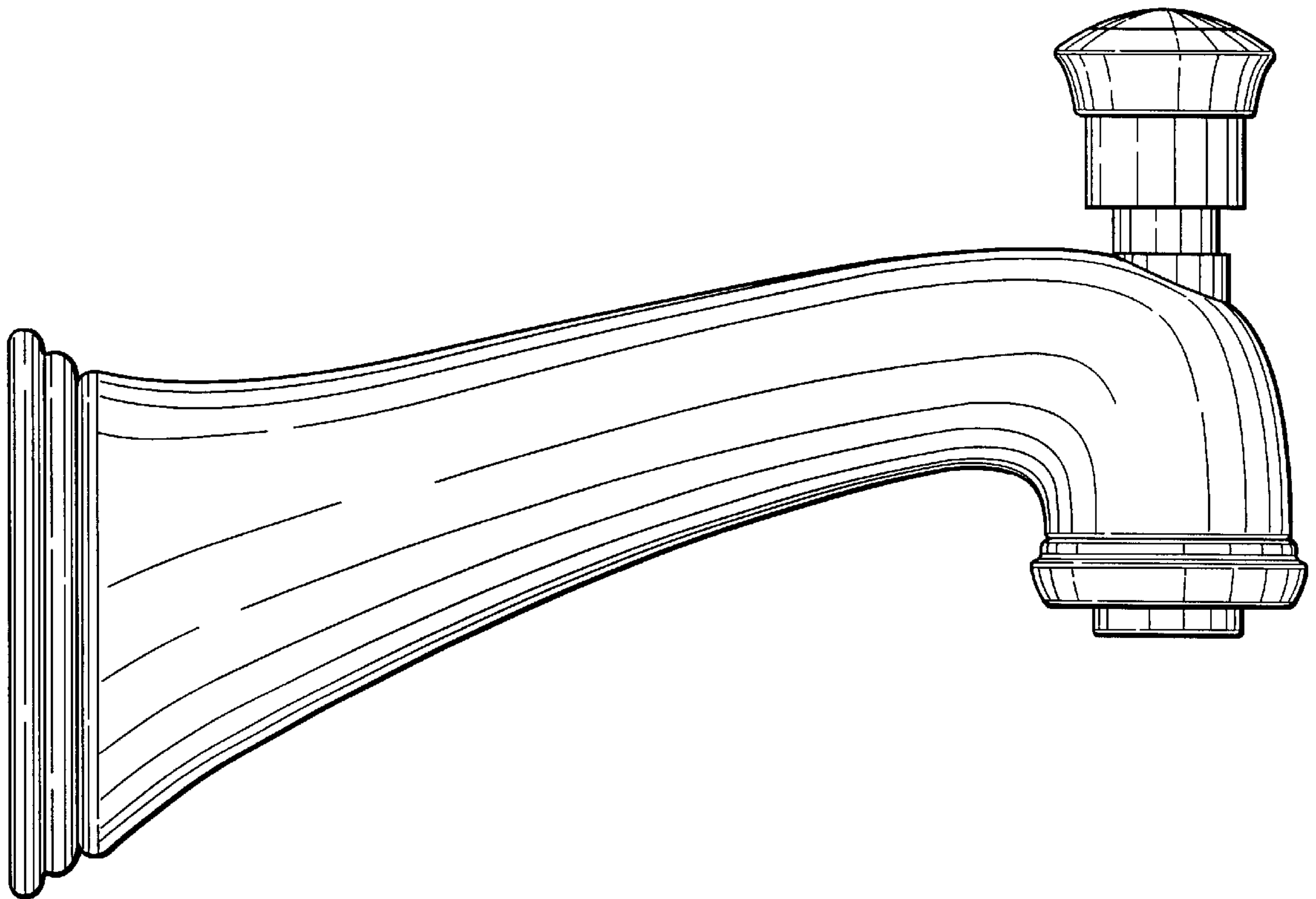
(57) **CLAIM**

The ornamental design for a wall-mount water outlet spout, as shown and described.

DESCRIPTION

FIG. 1 is a top, front, left-side perspective view of a wall-mount water outlet spout showing my new design;
 FIG. 2 is a top plan view thereof;
 FIG. 3 is a left side elevational view thereof, the right side elevational view being mirror symmetrical thereto;
 FIG. 4 is a bottom plan view thereof;
 FIG. 5 is a front elevational view thereof; and,
 FIG. 6 is a front elevational view thereof.

1 Claim, 3 Drawing Sheets



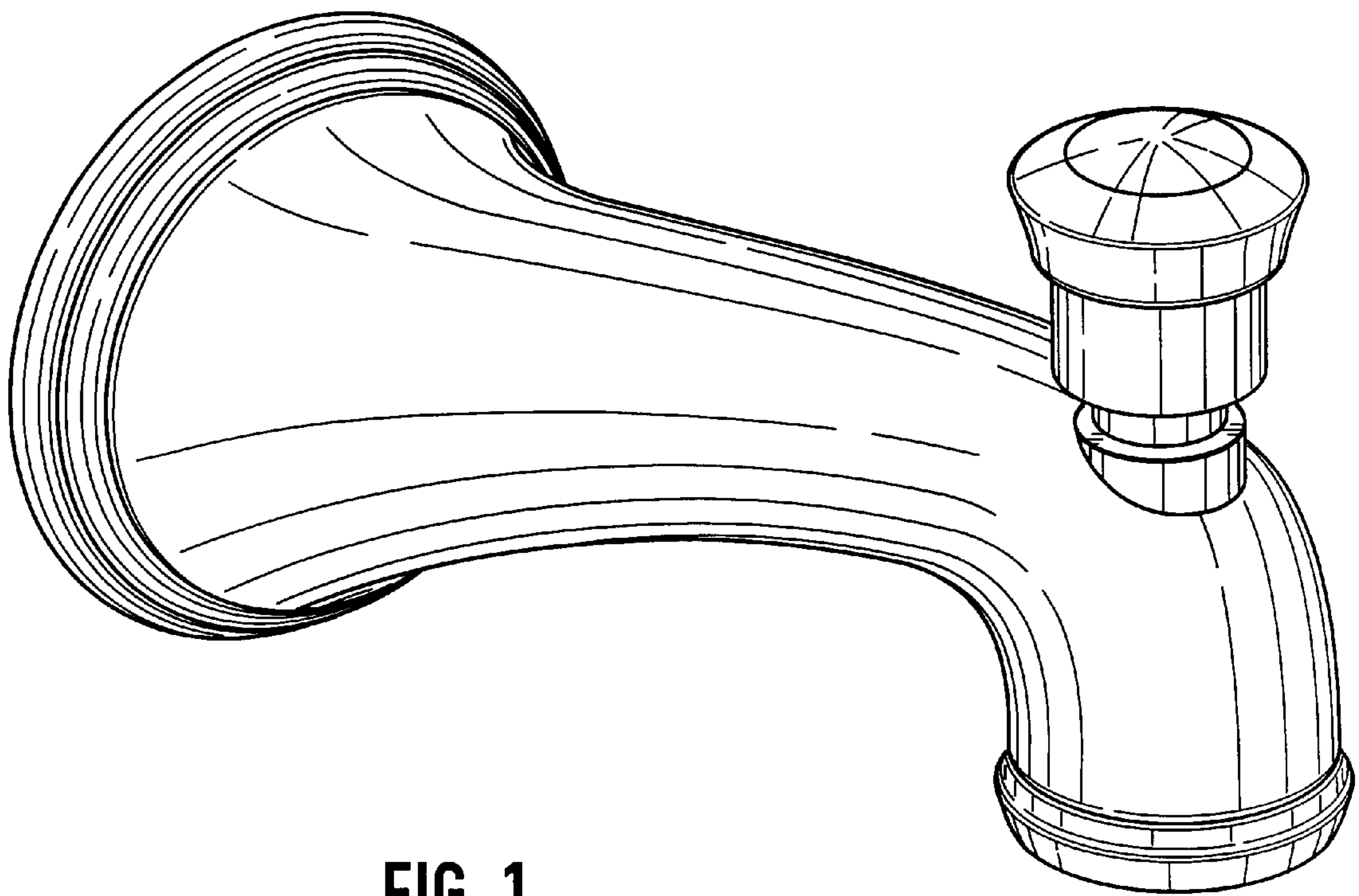


FIG. 1

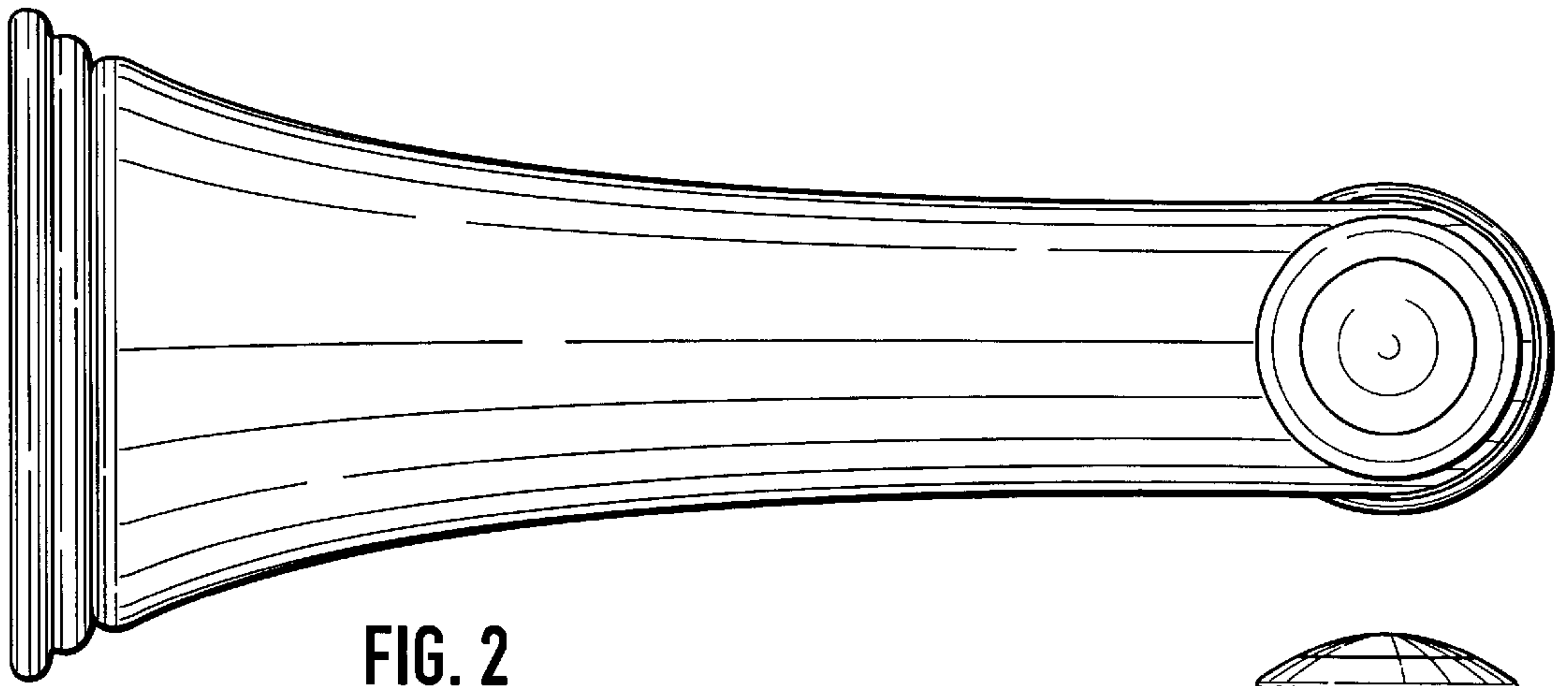


FIG. 2

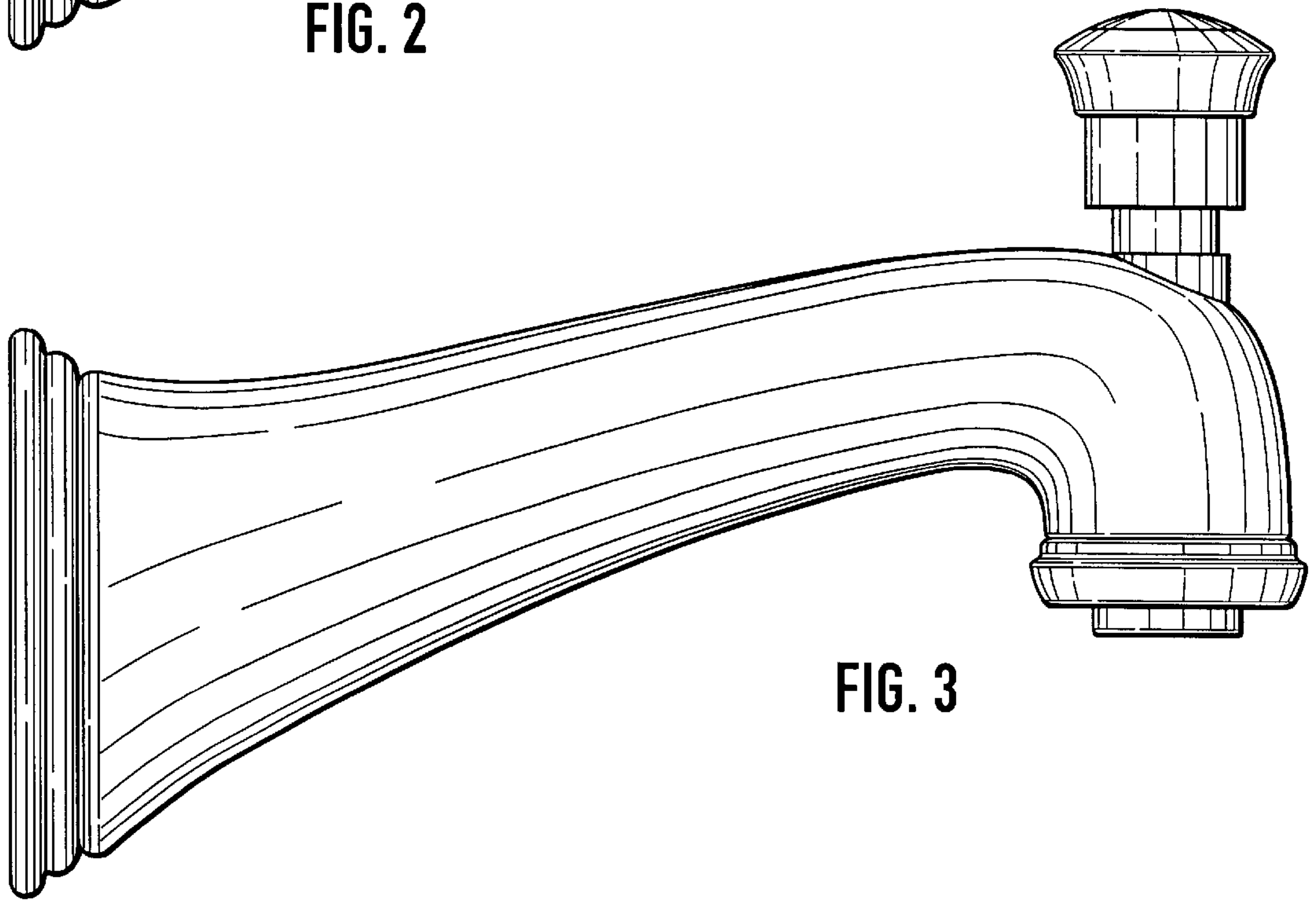


FIG. 3

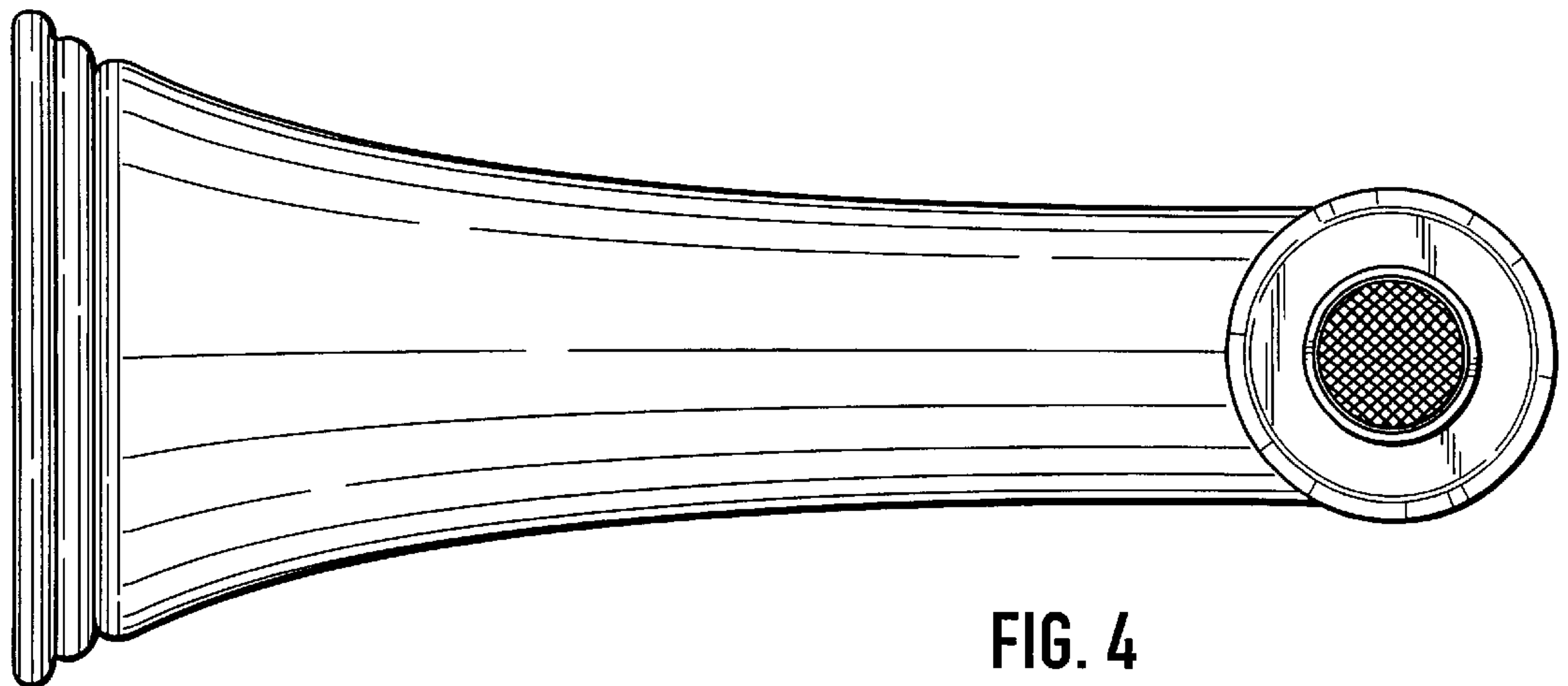


FIG. 4

FIG. 6

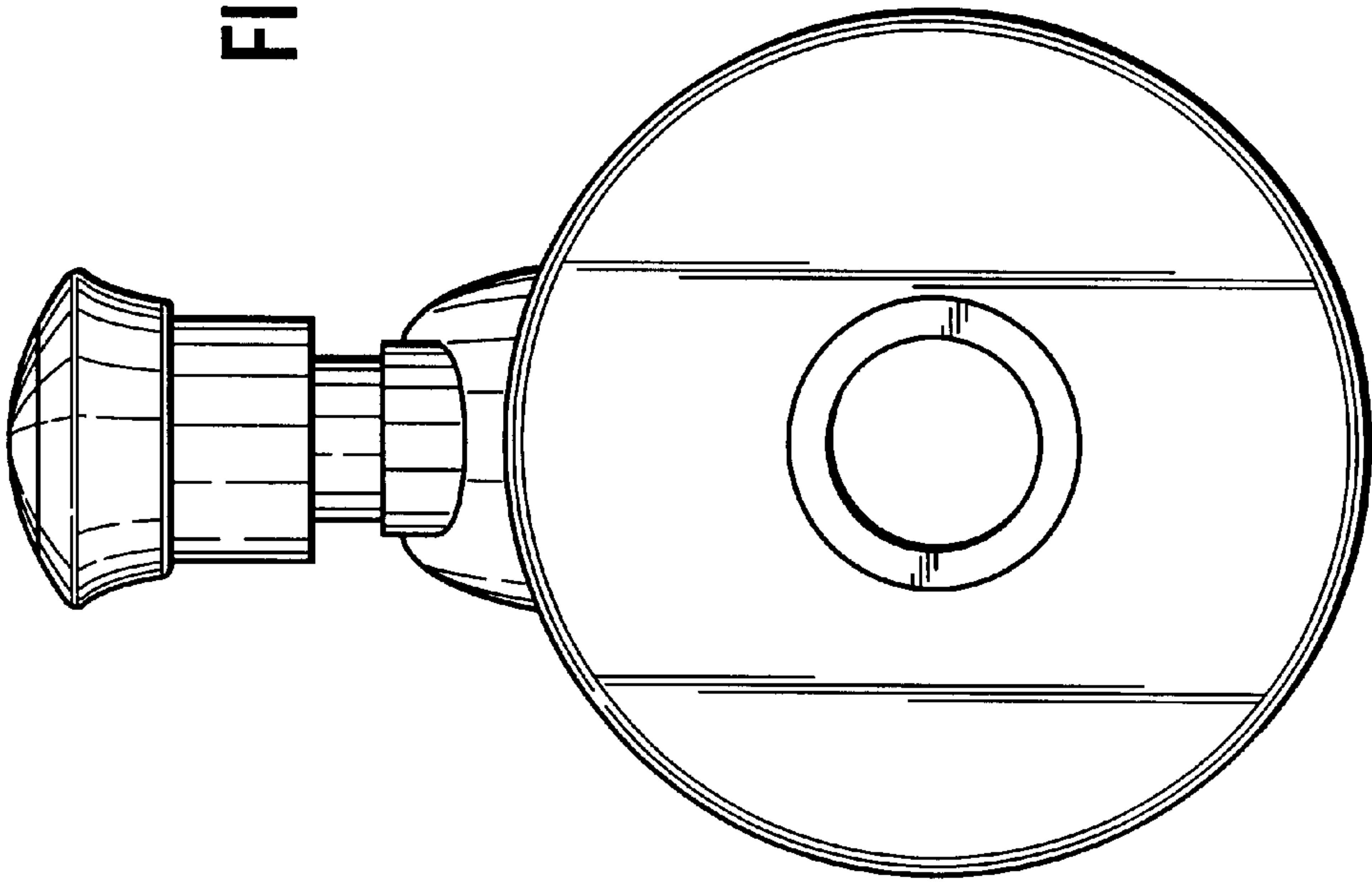


FIG. 5

