



US00D461231S

(12) **United States Design Patent**
Müllenmeister

(10) **Patent No.:** **US D461,231 S**

(45) **Date of Patent:** **** Aug. 6, 2002**

(54) **DECK-MOUNT WATER SPOUT**

(75) Inventor: **Daniel Müllenmeister**, Havixbeck (DE)

(73) Assignee: **Friedrich Grohe AG & Co. KG.**,
Hemer (DE)

(**) Term: **14 Years**

(21) Appl. No.: **29/145,306**

(22) Filed: **Jul. 19, 2001**

(30) **Foreign Application Priority Data**

Feb. 28, 2001 (DE) 4 01 02 070

(51) **LOC (7) Cl.** **23-01**

(52) **U.S. Cl.** **D23/257; D23/255**

(58) **Field of Search** **D23/238-257;**
4/675-678; 16/110 R-121; 137/801

(56) **References Cited**

U.S. PATENT DOCUMENTS

- D87,829 S * 9/1932 Ferguson D23/257
- D285,597 S * 9/1986 Miller et al. D23/242
- D299,161 S * 12/1988 Frattini D23/255
- D313,646 S * 1/1991 Selberg D23/255
- D348,510 S * 7/1994 Gottwald D23/257

- D357,526 S * 4/1995 Jans D23/257
- D361,624 S * 8/1995 Fabian D23/257
- D405,165 S * 2/1999 Kolada D23/257
- D412,360 S * 7/1999 Lord D23/255
- D415,259 S * 10/1999 Slothower D23/255
- D434,472 S * 11/2000 Lord D23/241

* cited by examiner

Primary Examiner—Louis S. Zarfes

Assistant Examiner—Gregory Andoll

(74) *Attorney, Agent, or Firm*—Herbert Dubno

(57) **CLAIM**

The ornamental design for a deck-mount water spout, as shown and described.

DESCRIPTION

FIG. 1 is a top, front, left-side perspective view of a deck-mount water outlet spout showing my new design; FIG. 2 is a bottom plan view thereof; FIG. 3 is a top plan view thereof; FIG. 4 is a left side elevational view thereof, the right side elevational view being mirror symmetrical thereto; FIG. 5 is a front elevational view thereof; and, FIG. 6 is a rear elevational view thereof.

1 Claim, 3 Drawing Sheets

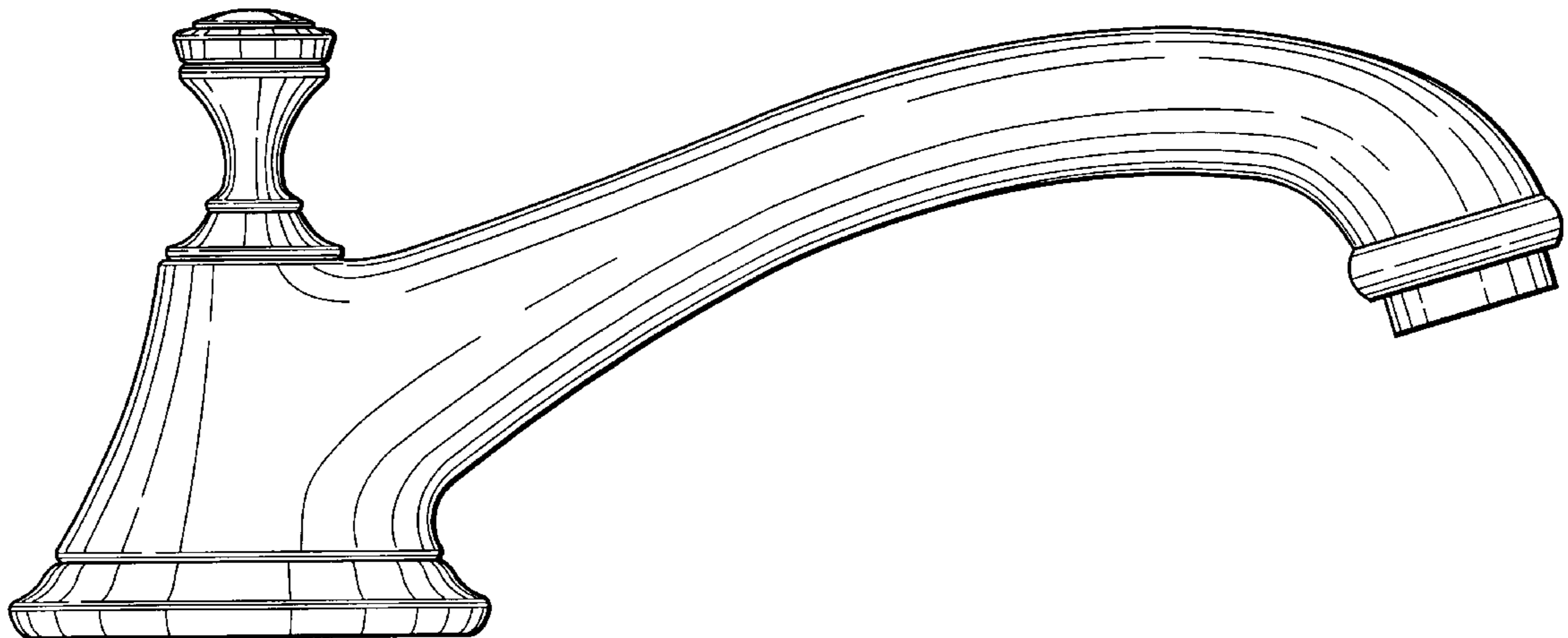


FIG. 1

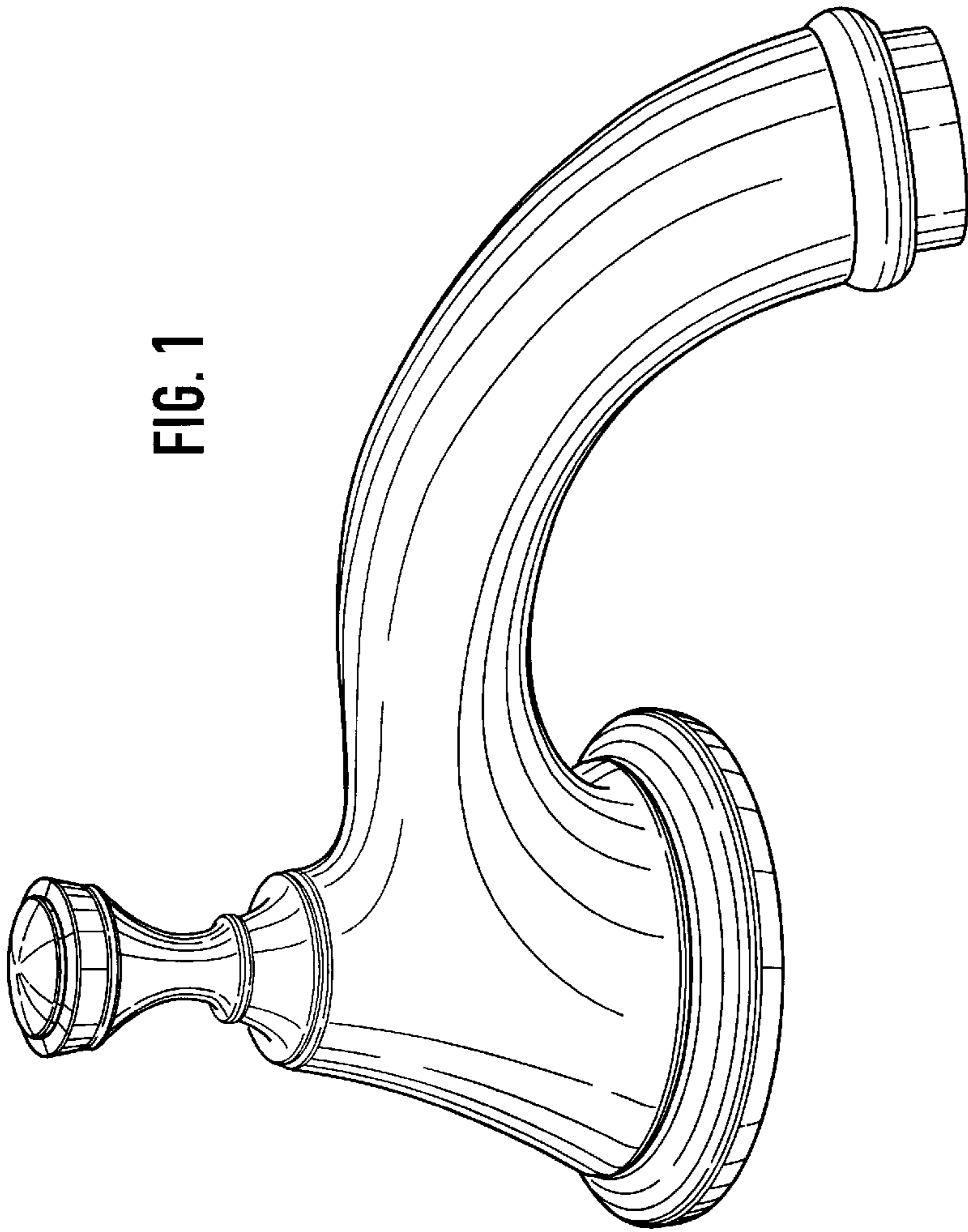
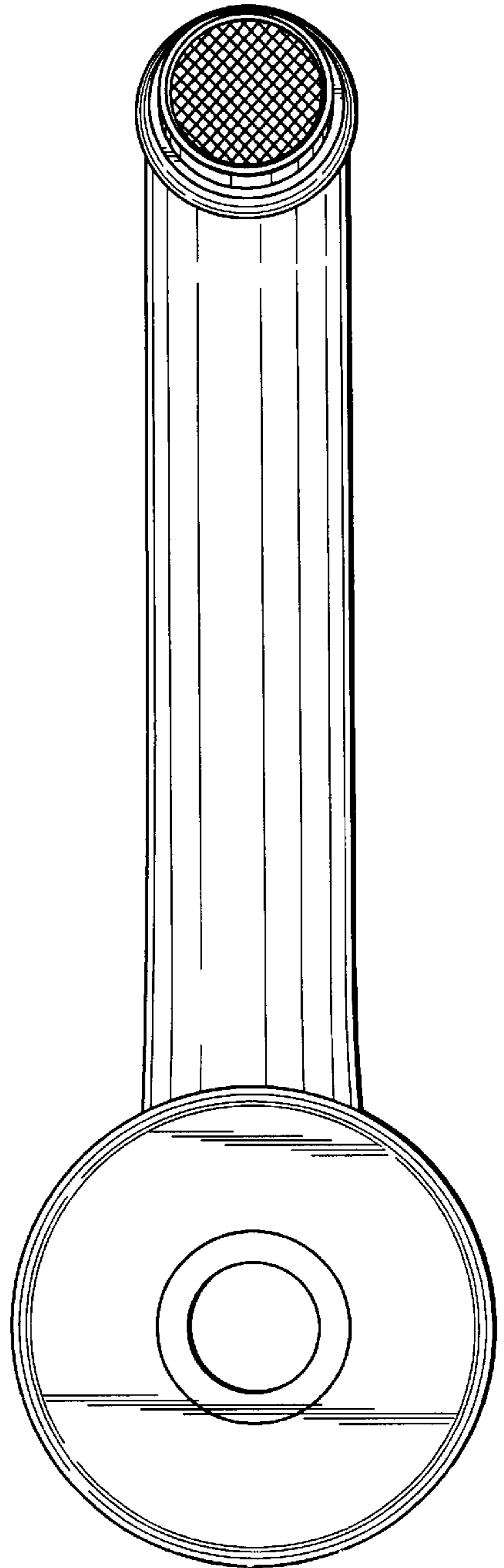


FIG. 2



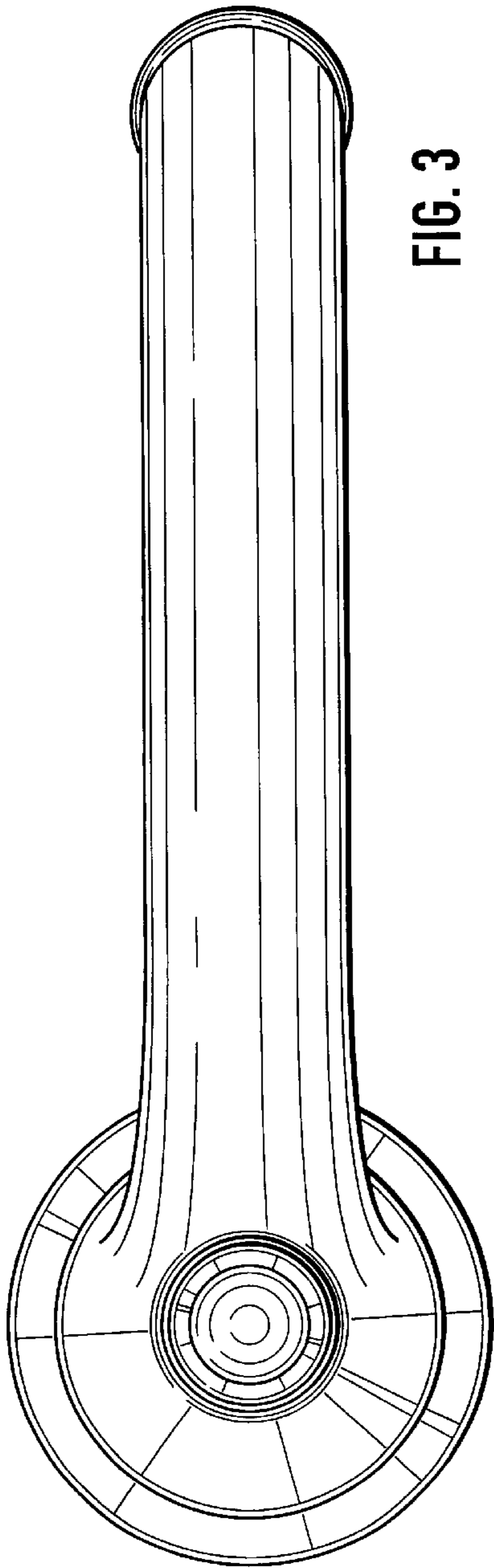


FIG. 3

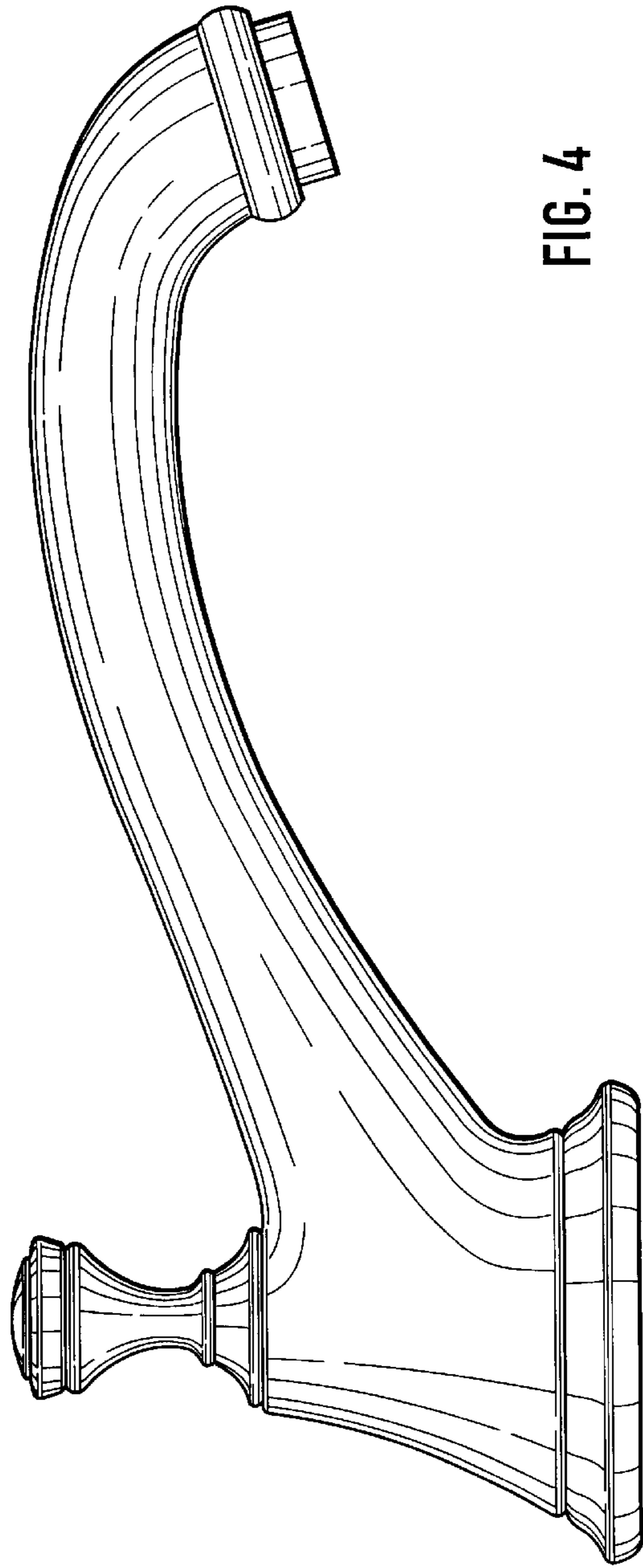


FIG. 4

FIG. 6

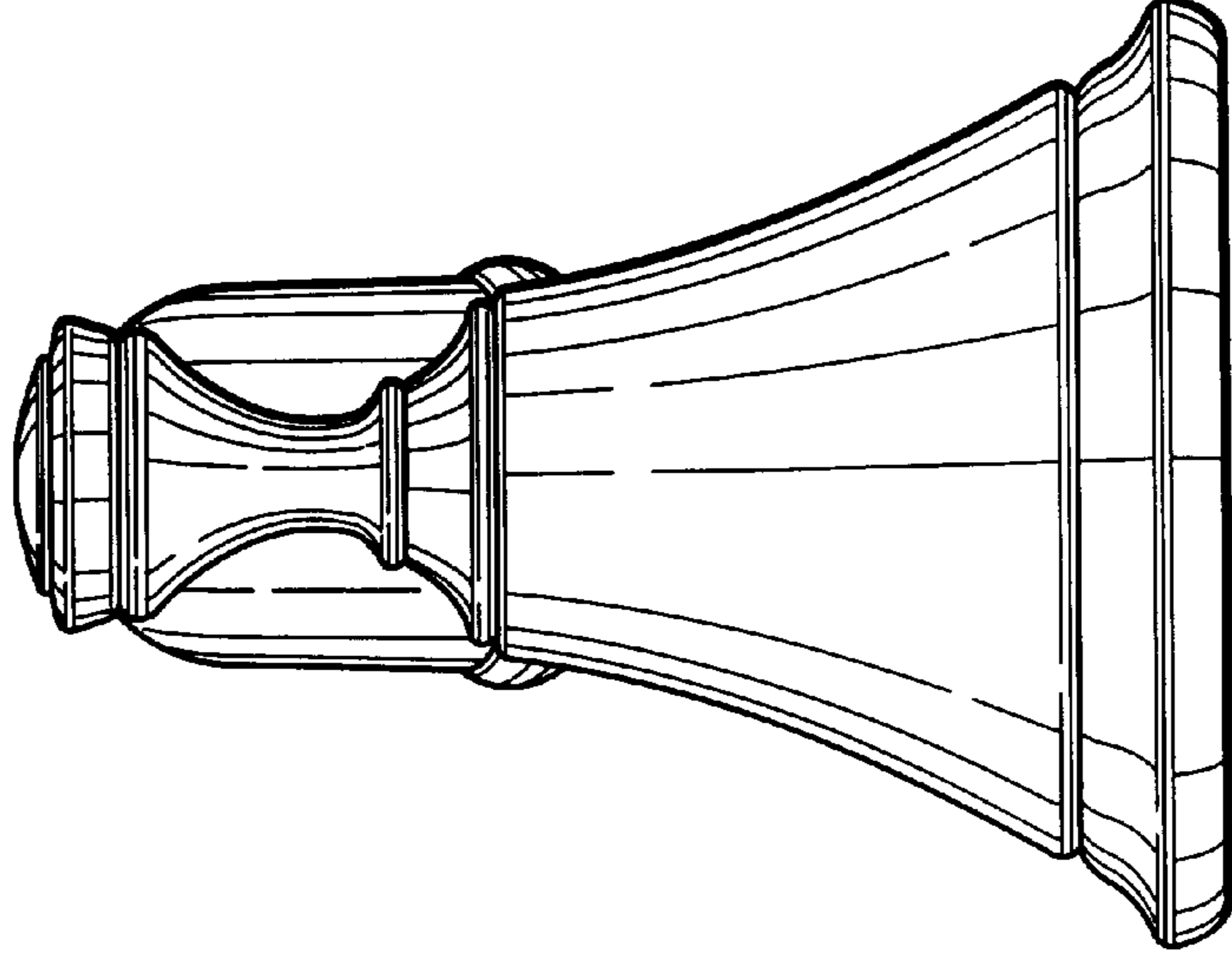


FIG. 5

