



US00D461230S

(12) **United States Design Patent**
Ko

(10) **Patent No.:** **US D461,230 S**

(45) **Date of Patent:** **** Aug. 6, 2002**

(54) **FAUCET**

D429,316 S * 8/2000 McKeone D23/238

(75) Inventor: **Hsi-Chia Ko**, Changhua Hsien (TW)

* cited by examiner

(73) Assignee: **Chung Cheng Faucet Co., Ltd.** (TW)

Primary Examiner—Louis S. Zarfes

Assistant Examiner—Gregory Andoll

(**) Term: **14 Years**

(74) *Attorney, Agent, or Firm*—Troxell Law Office PLLC

(21) Appl. No.: **29/136,696**

(57) **CLAIM**

(22) Filed: **Feb. 7, 2001**

The ornamental design for a faucet, as shown and described.

(51) **LOC (7) Cl.** **23-01**

DESCRIPTION

(52) **U.S. Cl.** **D23/255**

FIG. 1 is a perspective view of a faucet showing my new design;

(58) **Field of Search** D23/238-257;

FIG. 2 is a front view thereof;

4/675-678; 16/110 R-121; 137/801

FIG. 3 is a rear view thereof;

(56) **References Cited**

FIG. 4 is a right side view thereof, the left side view being a mirror image;

U.S. PATENT DOCUMENTS

FIG. 5 is a top view thereof; and,

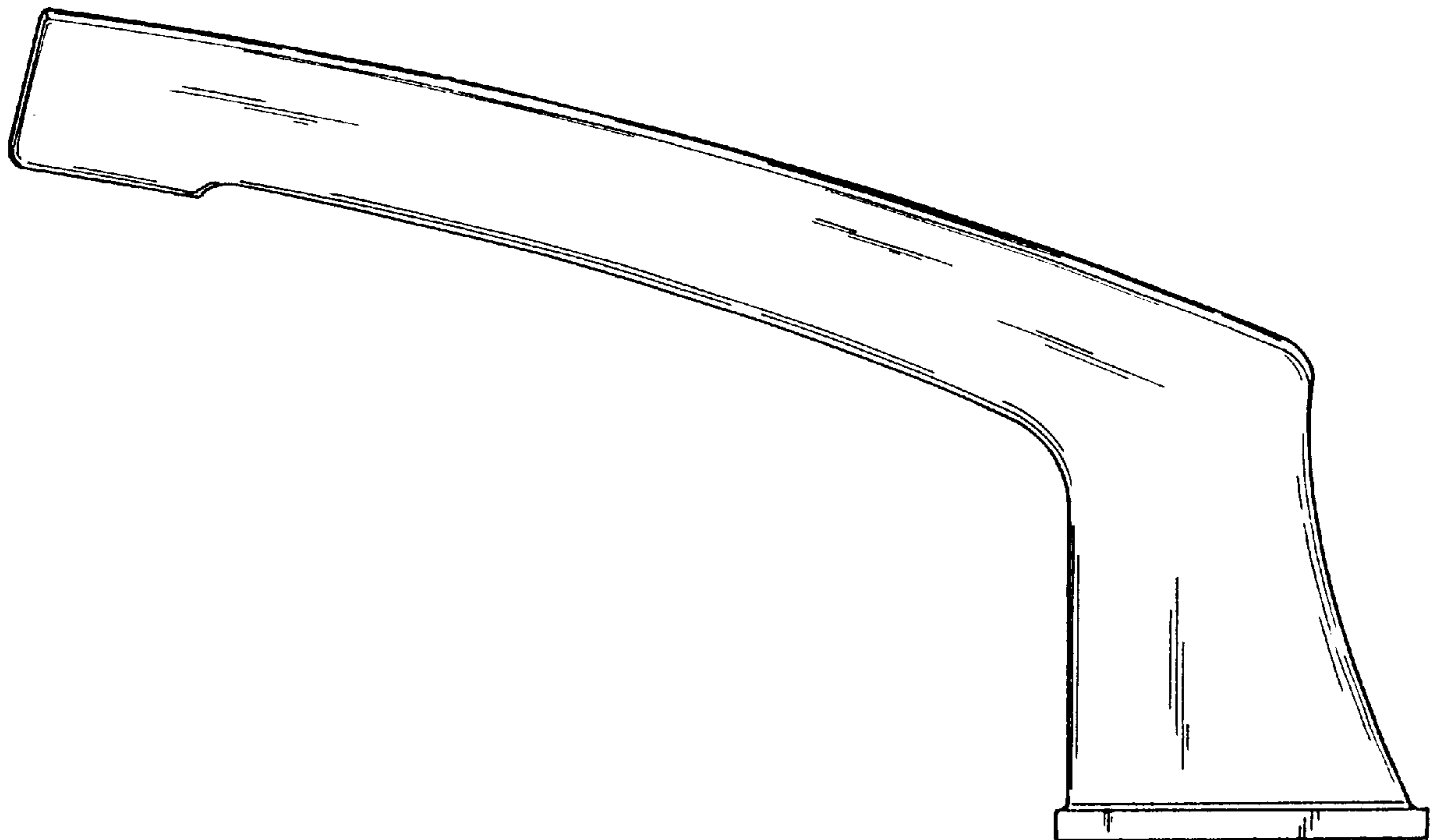
D87,829 S * 9/1932 Ferguson D23/257

FIG. 6 is a bottom view thereof.

D369,651 S * 5/1996 Saadi et al. D23/255

D417,262 S * 11/1999 Caplow D23/255

1 Claim, 3 Drawing Sheets



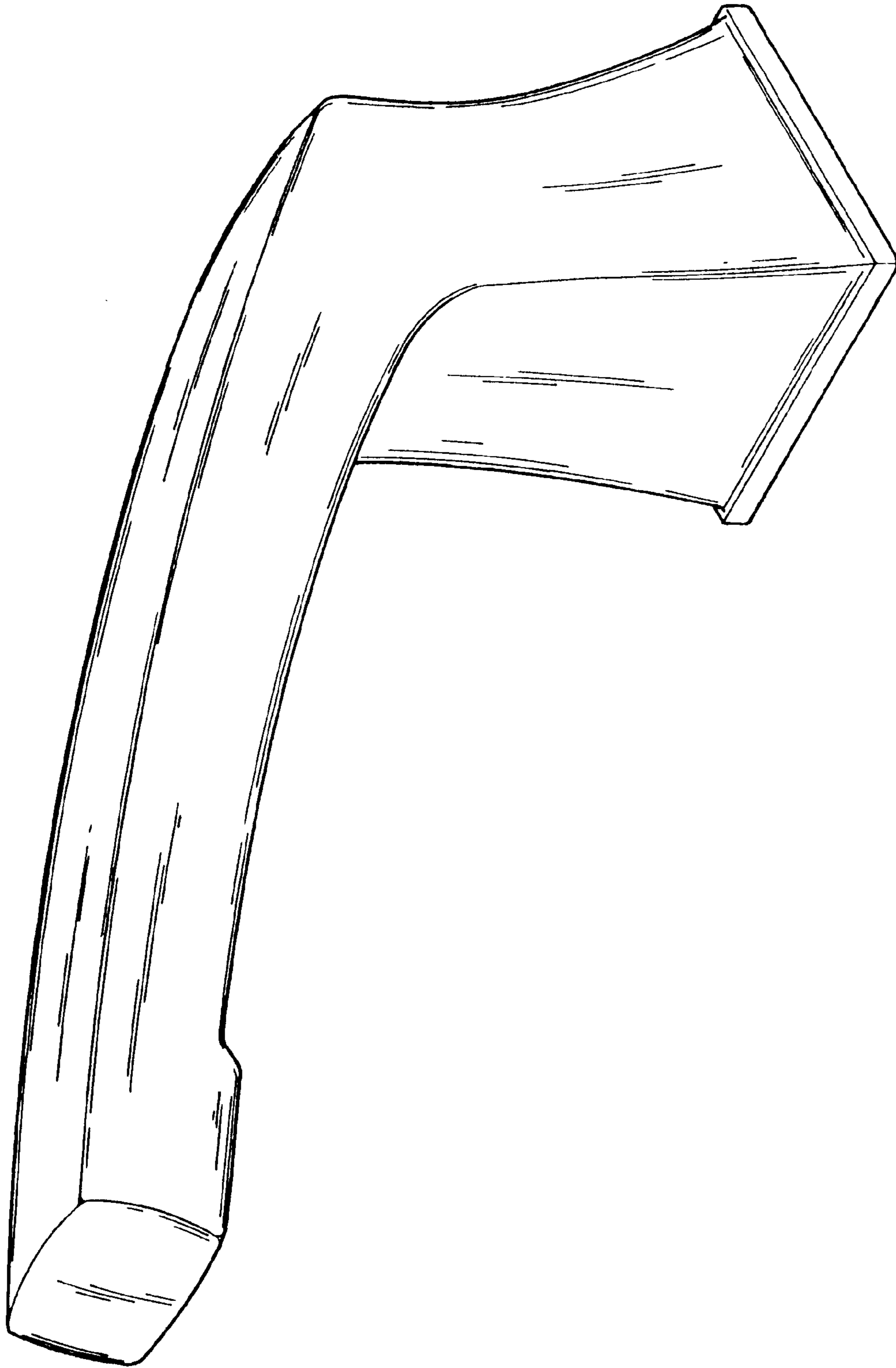


FIG. 1

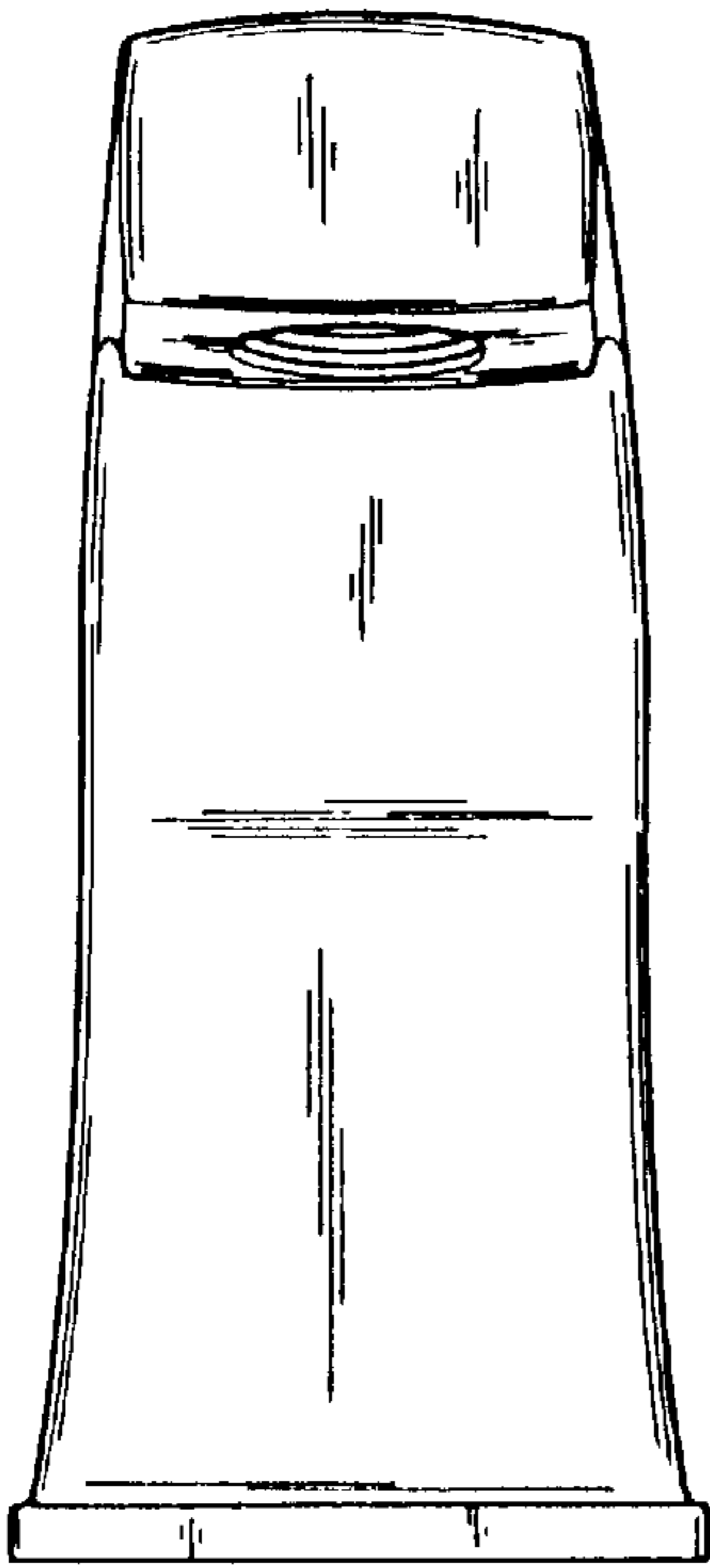


FIG. 2

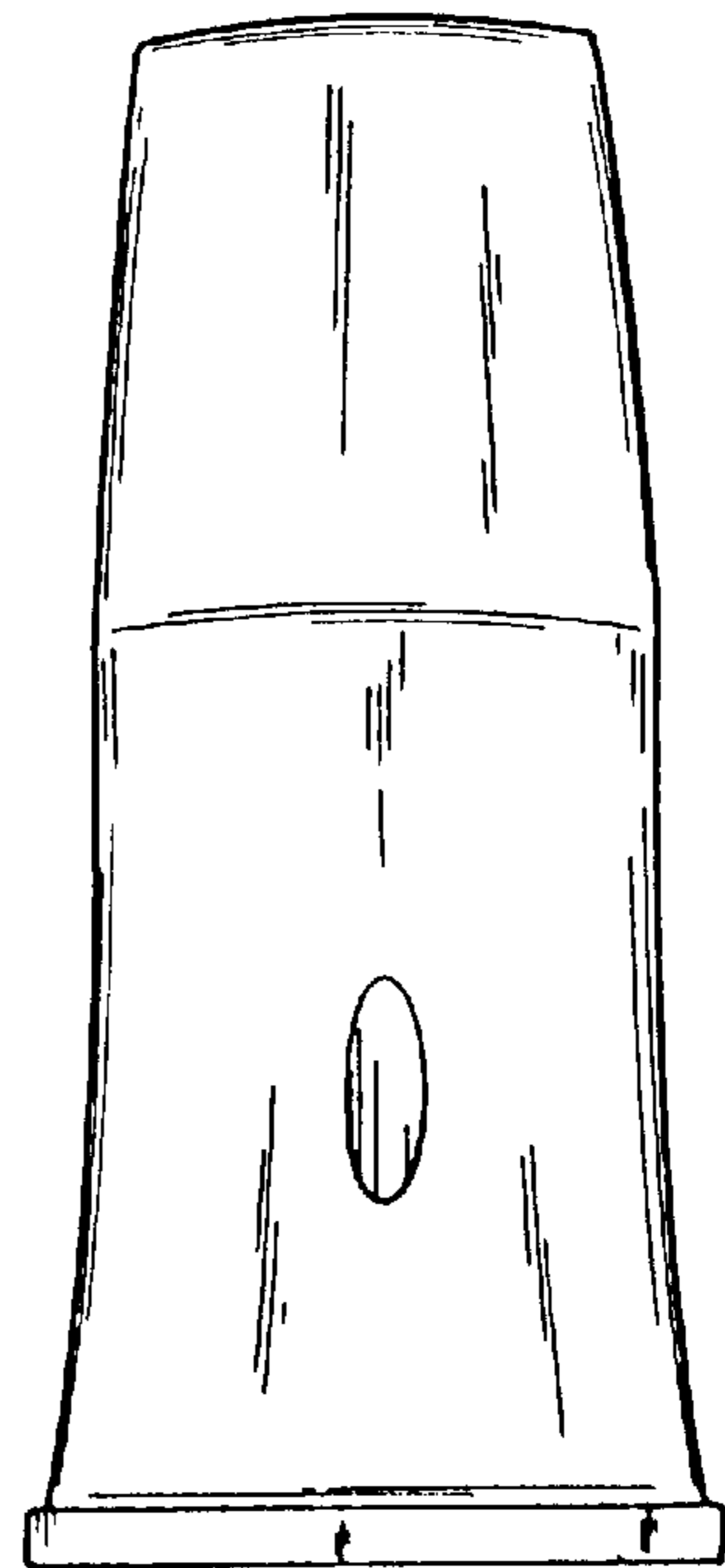


FIG. 3

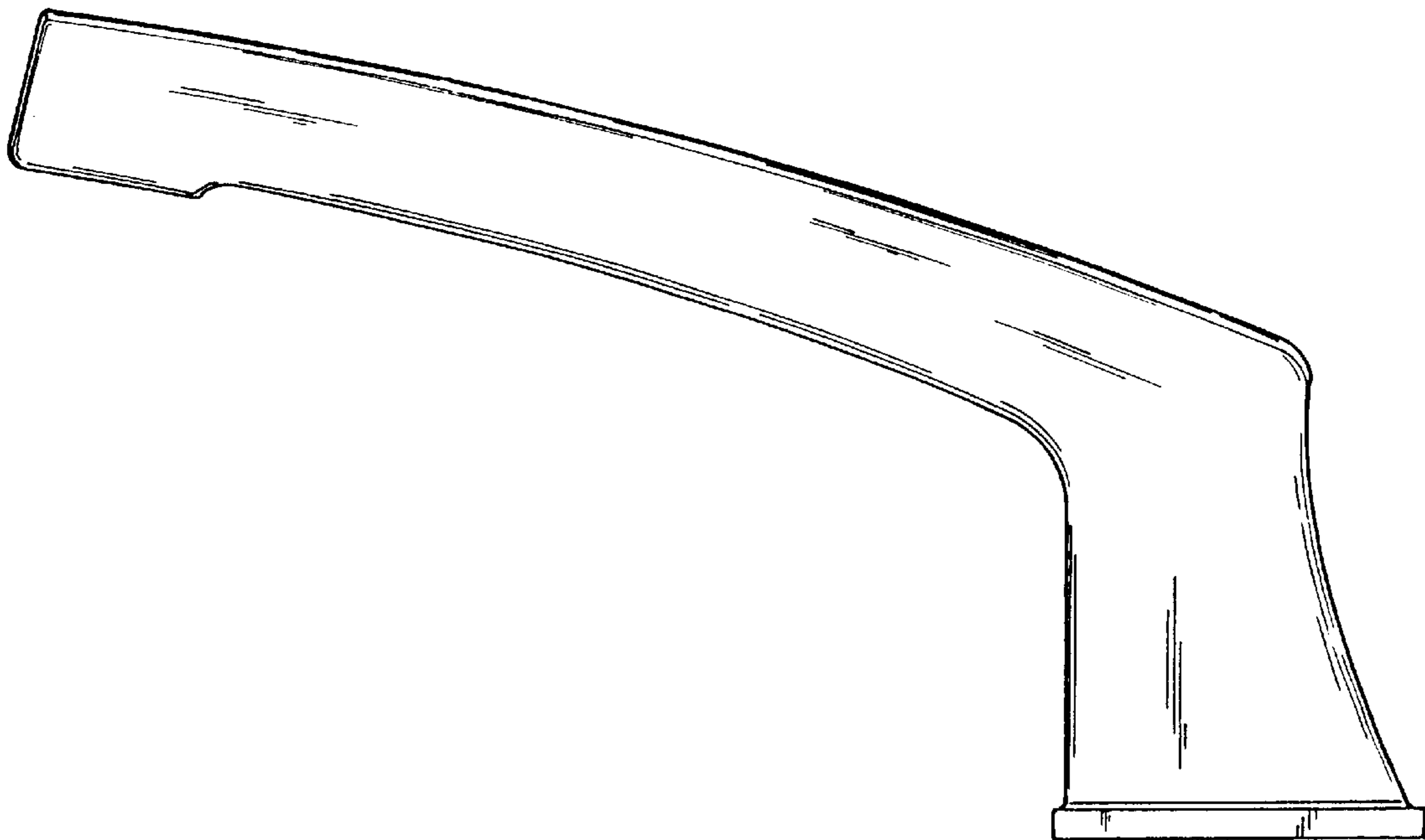


FIG. 4

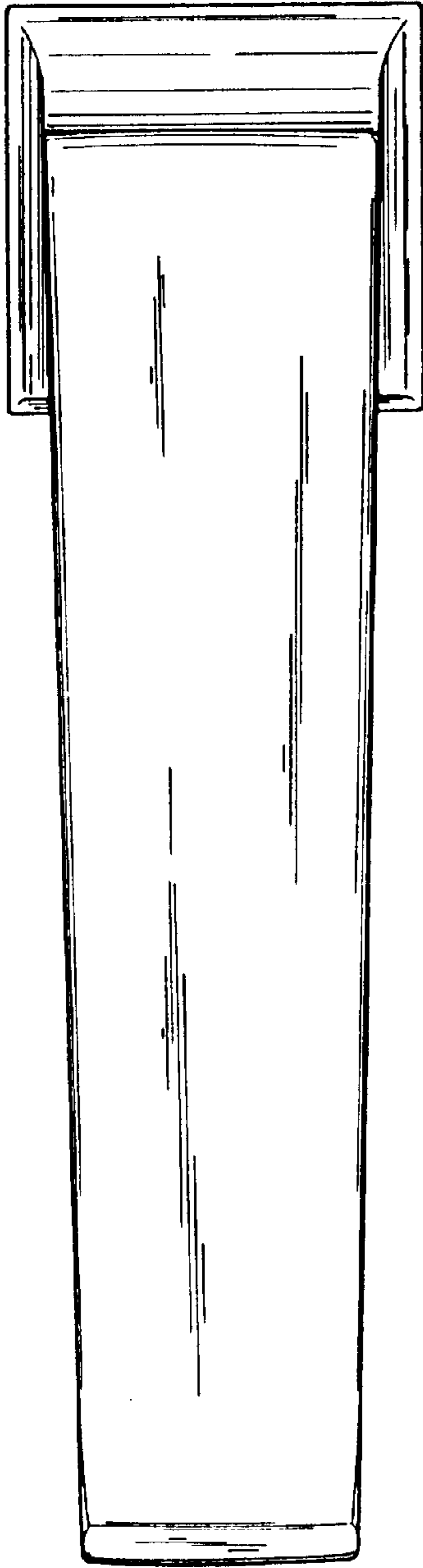


FIG. 5

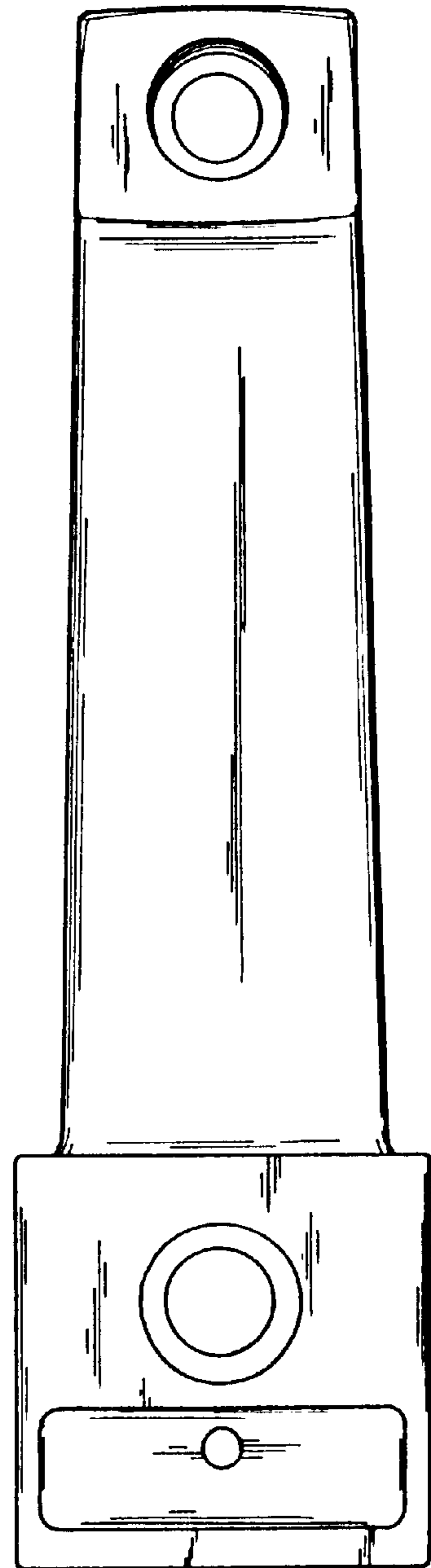


FIG. 6