



US00D461229S

(12) **United States Design Patent**
Hanna

(10) **Patent No.:** **US D461,229 S**

(45) **Date of Patent:** **** Aug. 6, 2002**

(54) **HANDLE HUB**

D443,920 S 6/2001 Lord

(75) Inventor: **Aaron E. Hanna**, Redlands, CA (US)

* cited by examiner

(73) Assignee: **Emhart LLC**, Newark, DE (US)

Primary Examiner—Louis S. Zarfes

Assistant Examiner—Gregory Andoll

(**) Term: **14 Years**

(74) *Attorney, Agent, or Firm*—Richard J. Veltman; John D. Del Ponti

(21) Appl. No.: **29/151,939**

(57) **CLAIM**

(22) Filed: **Dec. 7, 2001**

The ornamental design for a handle hub, as shown and described.

(51) **LOC (7) Cl.** **23-01**

(52) **U.S. Cl.** **D23/249; D23/252**

(58) **Field of Search** D23/238–245,
D23/249–257; D8/300–310, 350–354; 4/675–678;
16/110 R–121; 137/801

DESCRIPTION

(56) **References Cited**

U.S. PATENT DOCUMENTS

D115,796 S	*	7/1939	Reinecke	D23/254
D254,147 S		2/1980	Colani		
D364,217 S	*	11/1995	Dubin	D23/252
D391,351 S	*	2/1998	Ko	D23/250
D395,812 S	*	7/1998	Doughty et al.	D23/250
D402,005 S	*	12/1998	Ko	D23/252
D406,876 S		3/1999	Ko		
D420,105 S		2/2000	Ko		
D430,924 S		9/2000	Wei et al.		
D433,737 S		11/2000	Milrud et al.		
D443,341 S		6/2001	Burns et al.		

FIG. 1 is a perspective view of the new design for a handle hub;

FIG. 2 is a front elevational view of the new design for a handle hub;

FIG. 3 is a top plan view of the new design for a handle hub;

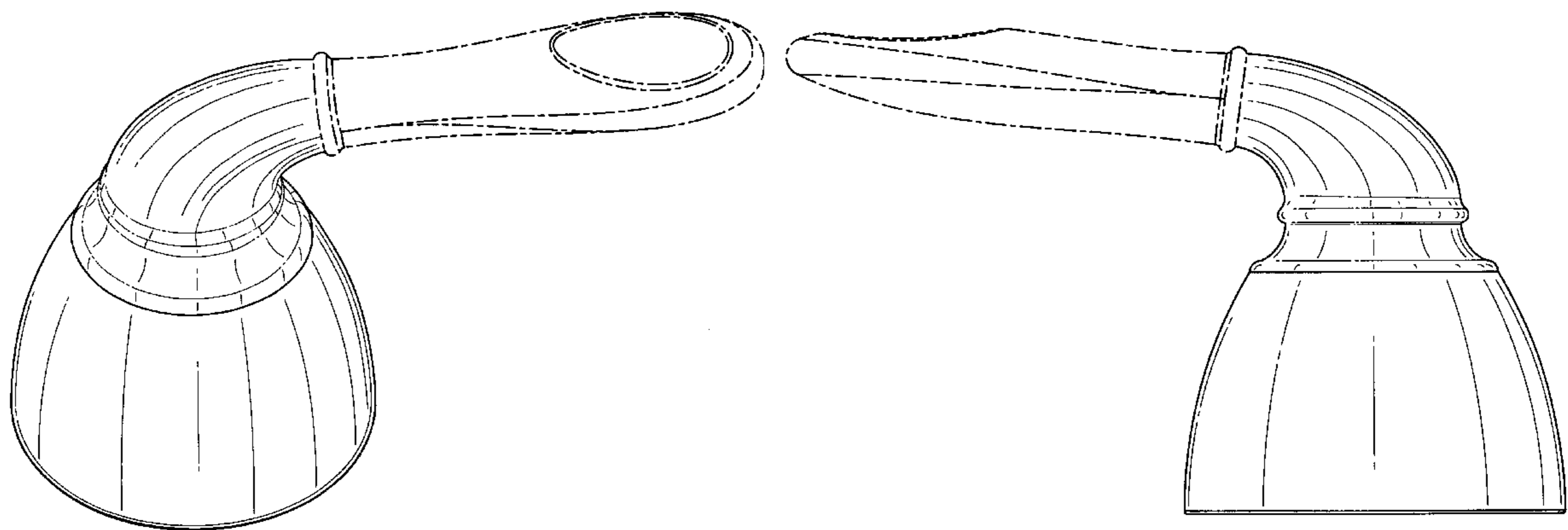
FIG. 4 is a bottom plan view of the new design for a handle hub;

FIG. 5 is a right side elevational view of the new design for a handle hub, the left side elevational view being a mirror image; and,

FIG. 6 is a rear elevational view of the new design for a handle hub.

The broken lines in the Figures are for illustrative purposes only and forms no part of the claimed design.

1 Claim, 6 Drawing Sheets



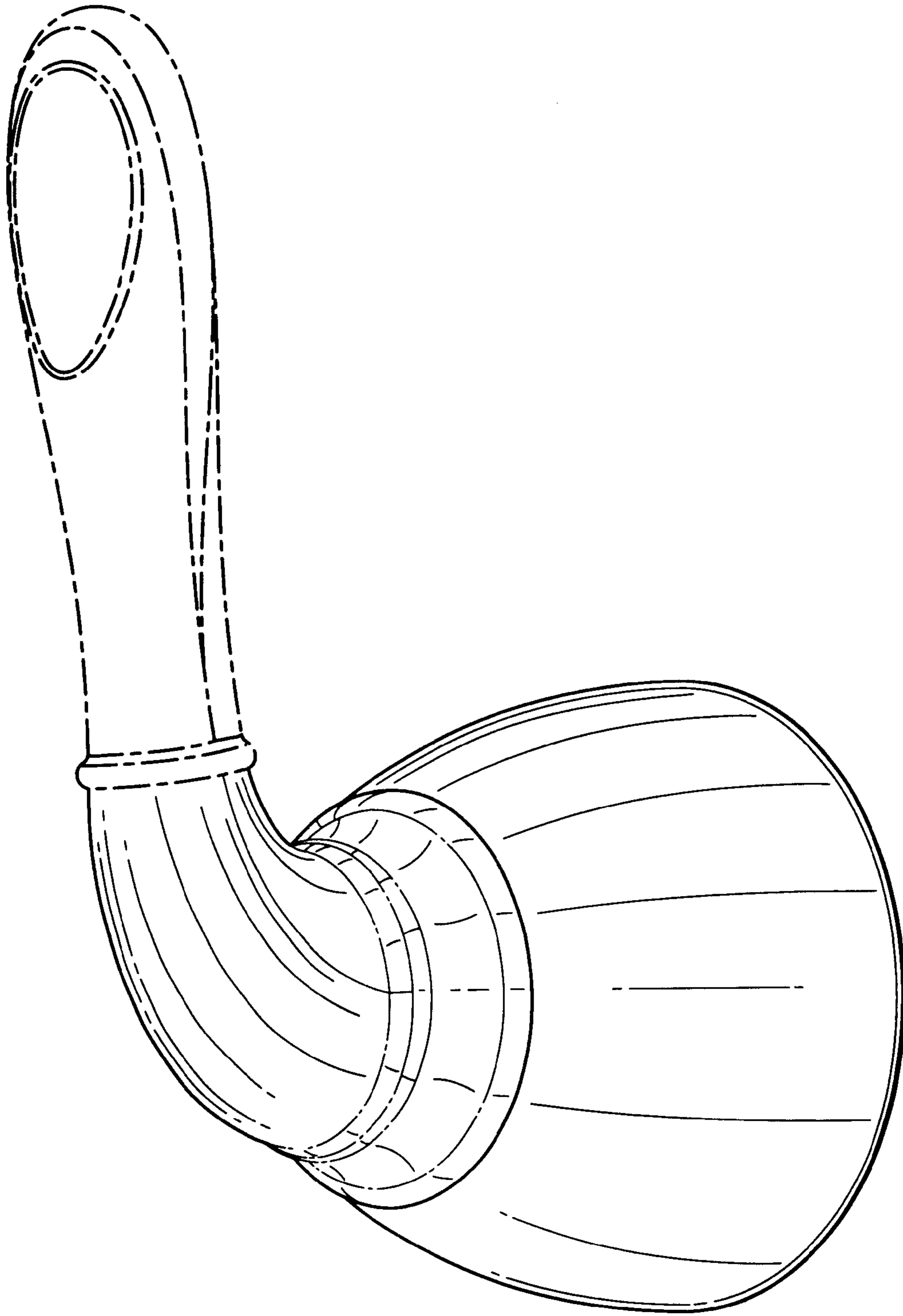


FIG. 1

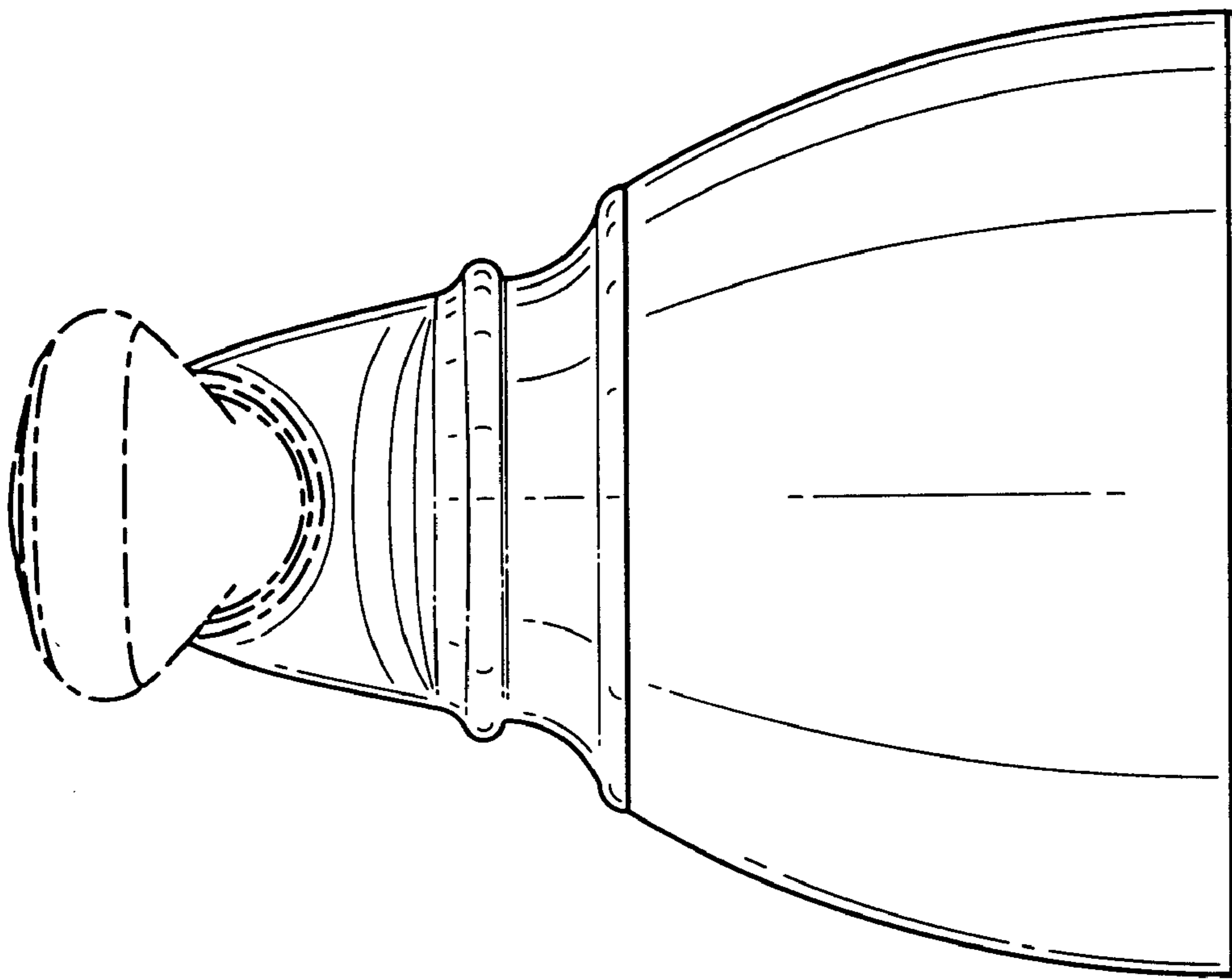


FIG. 2

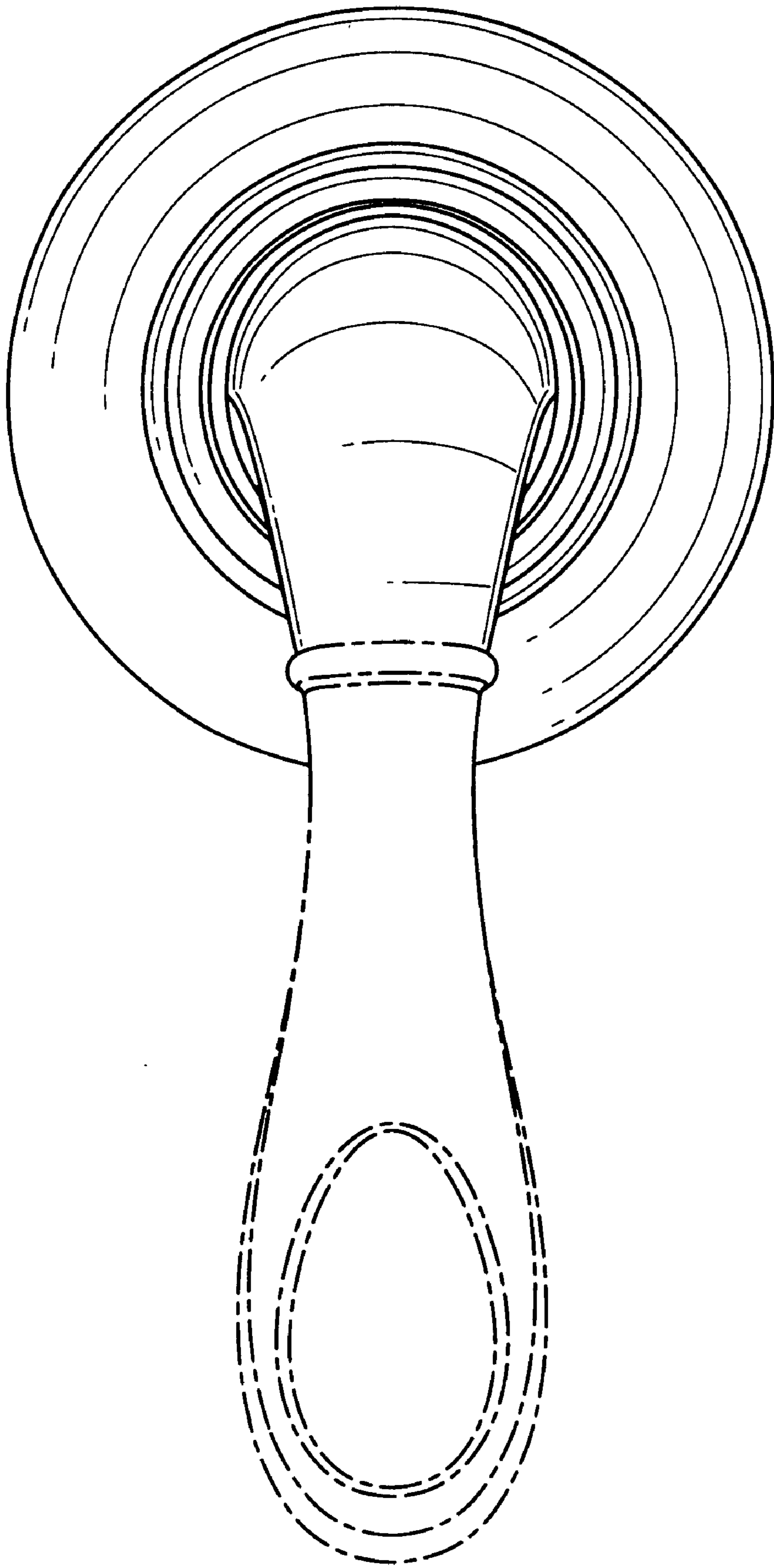


FIG. 3

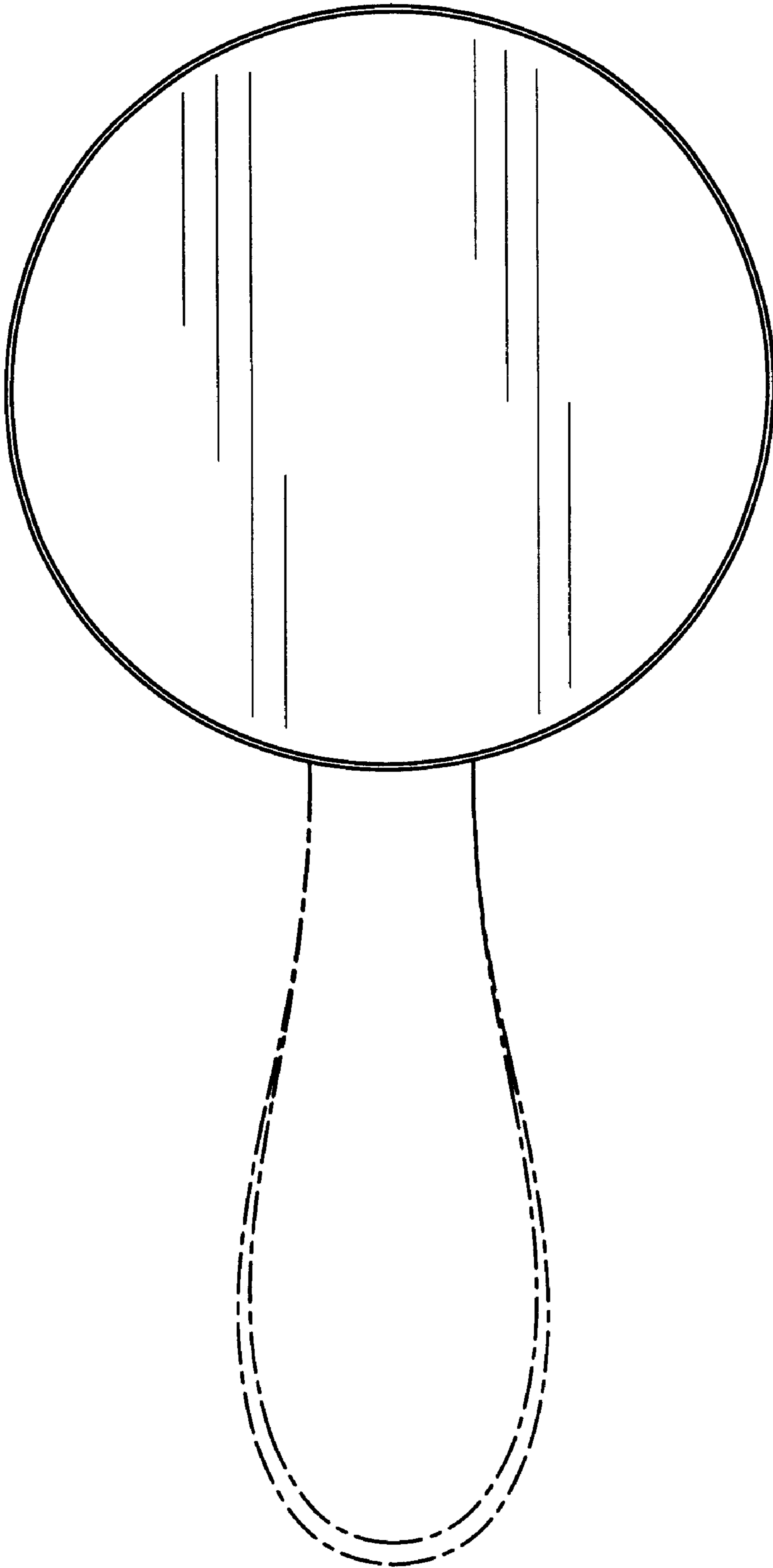


FIG. 4

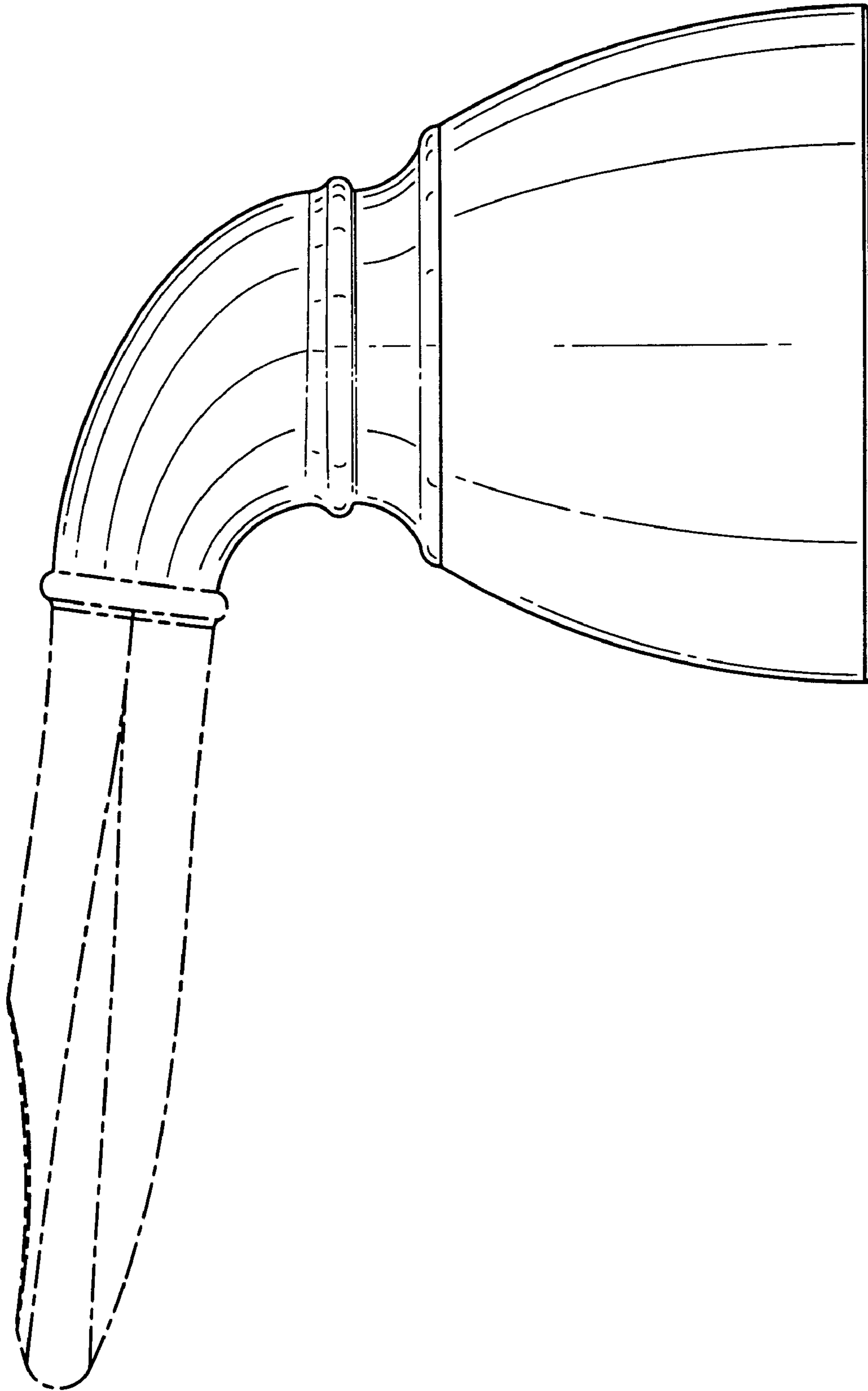


FIG. 5

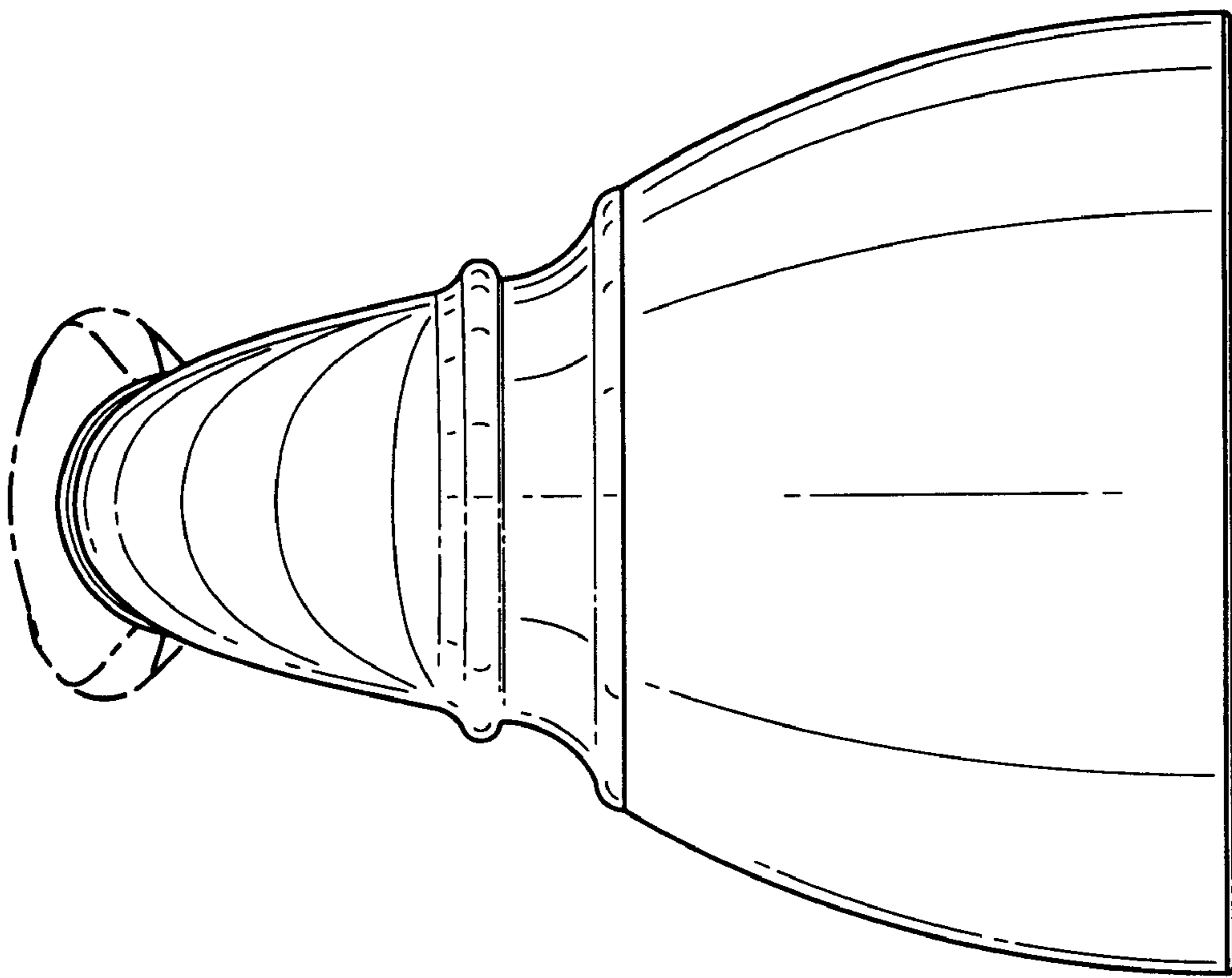


FIG. 6