



US00D461227S

(12) **United States Design Patent**
Guo

(10) **Patent No.:** **US D461,227 S**

(45) **Date of Patent:** **** Aug. 6, 2002**

(54) **SPRAYER GUN**

D437,029 S * 1/2001 Chao D23/226
D446,282 S * 8/2001 Wang D23/226

(76) Inventor: **Wen Li Guo**, No. 10, Fang Dong Road,
Wen Gin Tsuen, Fang Yuan Hsiang,
Chang Hua Hsien (TW), 528

* cited by examiner

(**) Term: **14 Years**

Primary Examiner—Robin V. Taylor
(74) *Attorney, Agent, or Firm*—Charles E. Baxley

(21) Appl. No.: **29/145,224**

(57) **CLAIM**

(22) Filed: **Jul. 19, 2001**

The ornamental design for a sprayer gun, as shown and described.

(51) **LOC (7) Cl.** **23-01**

DESCRIPTION

(52) **U.S. Cl.** **D23/226**

(58) **Field of Search** D23/213, 223,
D23/226; 239/525, 526

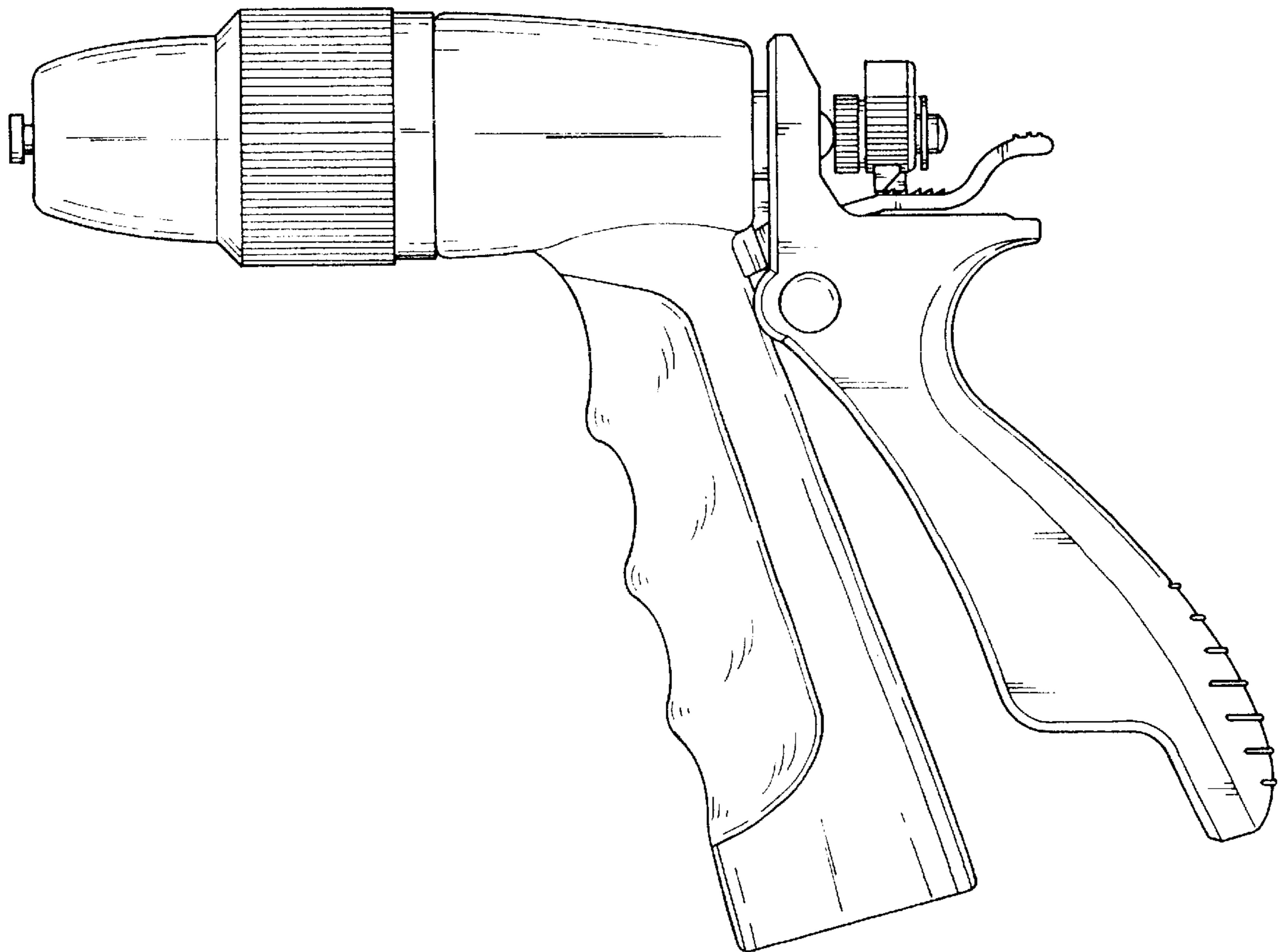
FIG. 1 is a perspective view of a sprayer gun showing my new design;
FIG. 2 is a front elevational view thereof;
FIG. 3 is a rear elevational view thereof;
FIG. 4 is a top plan view thereof;
FIG. 5 is a bottom plan view thereof;
FIG. 6 is a left side elevational view thereof; and,
FIG. 7 is a right side elevation view thereof.

(56) **References Cited**

U.S. PATENT DOCUMENTS

D390,633 S * 2/1998 Guo D23/226
D409,720 S * 5/1999 Guo D23/226
D425,178 S * 5/2000 Guo D23/226
D431,069 S * 9/2000 Heren D23/226

1 Claim, 5 Drawing Sheets



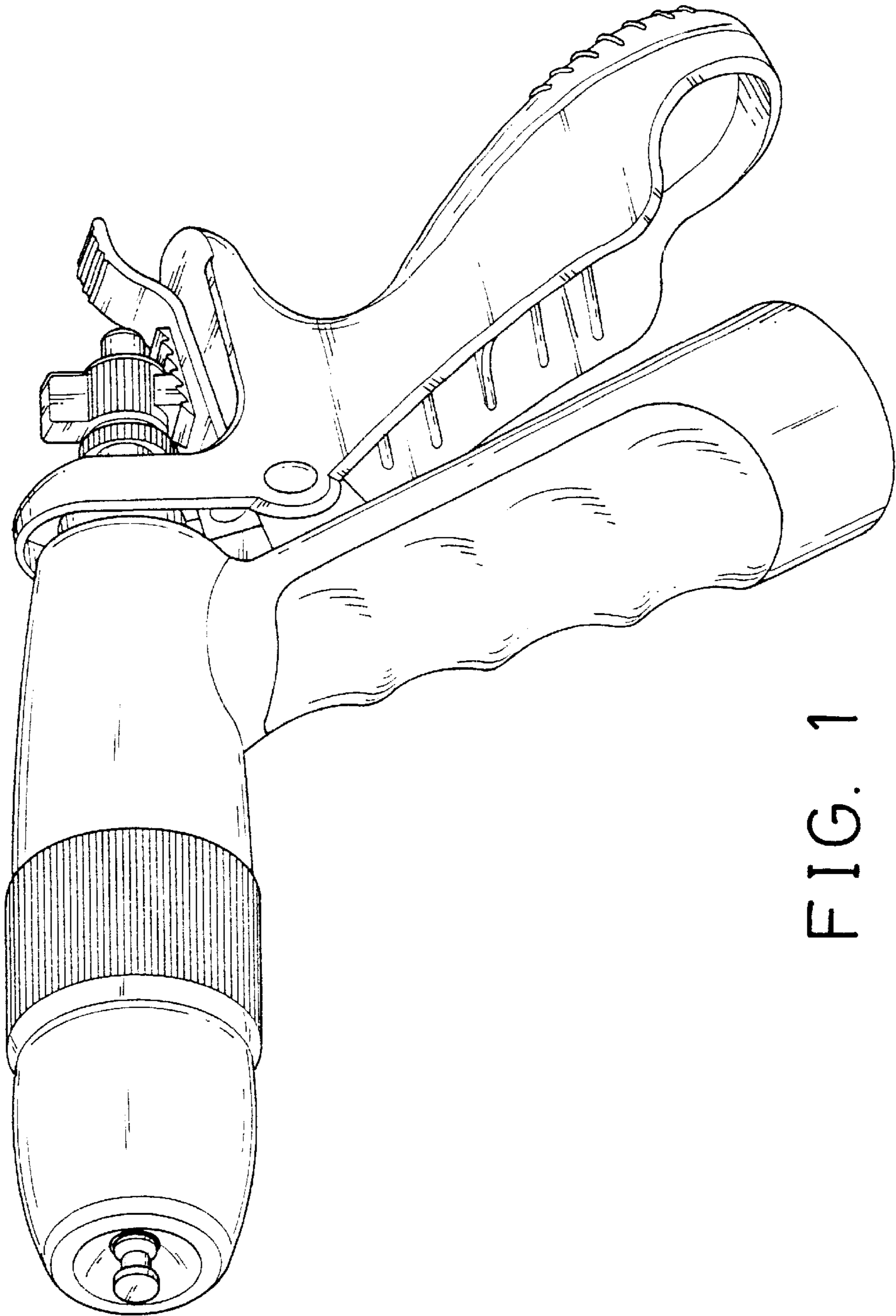


FIG. 1

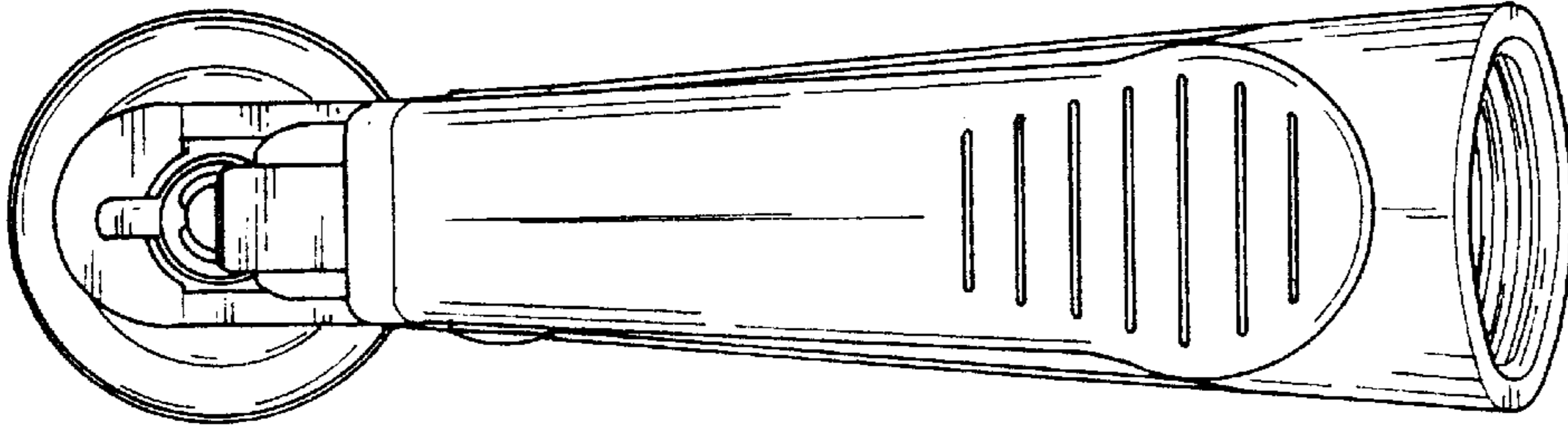


FIG. 3

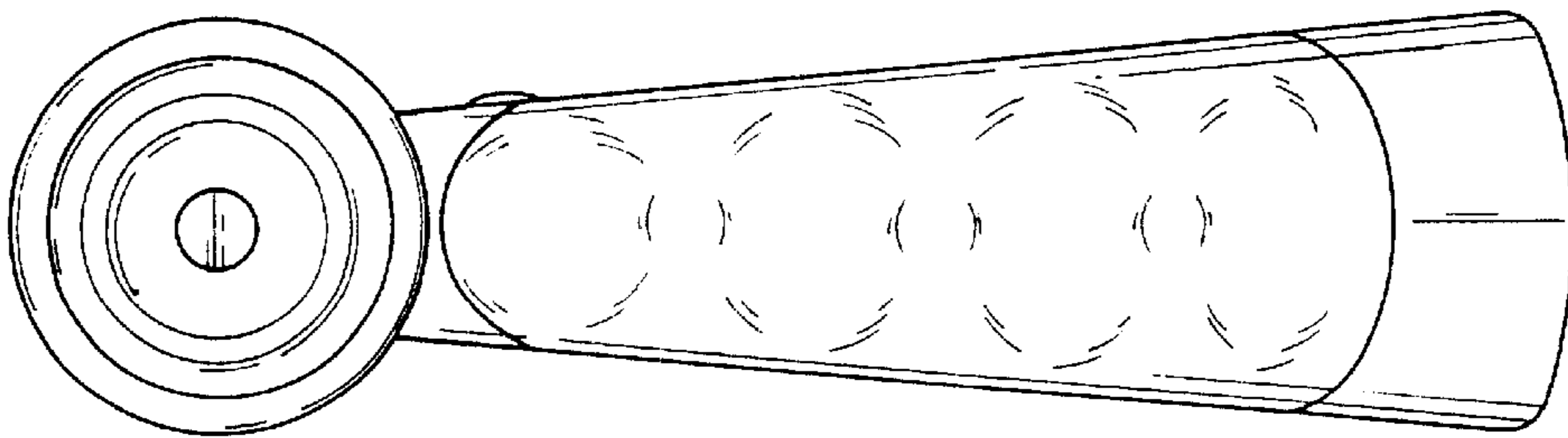


FIG. 2

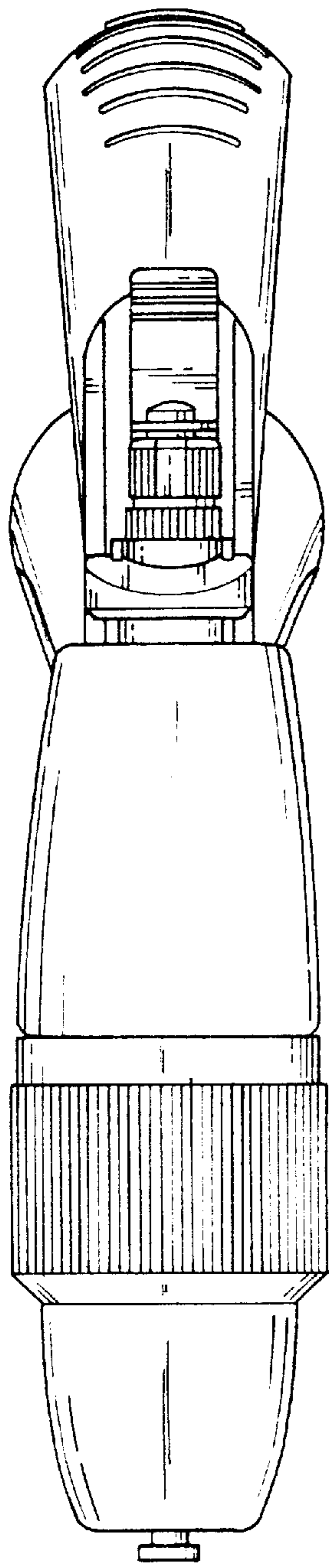


FIG. 4

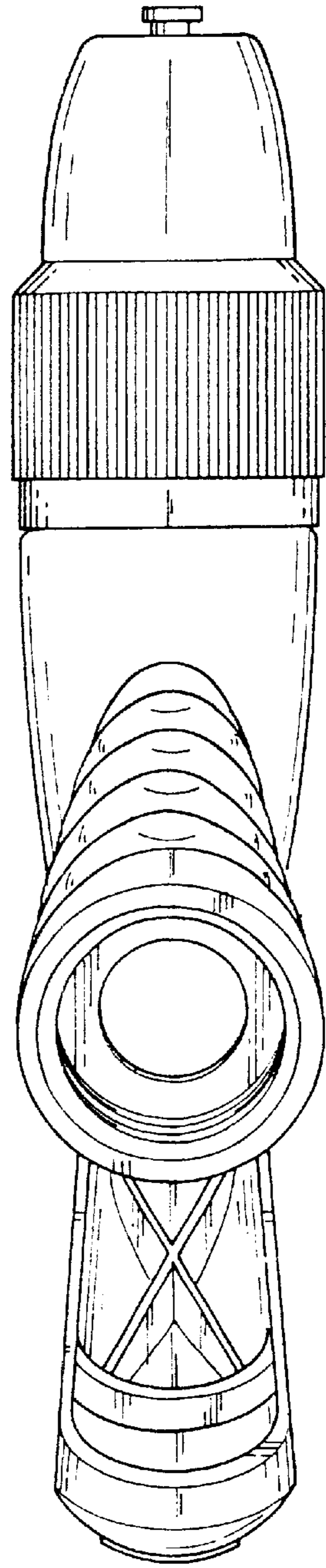


FIG. 5

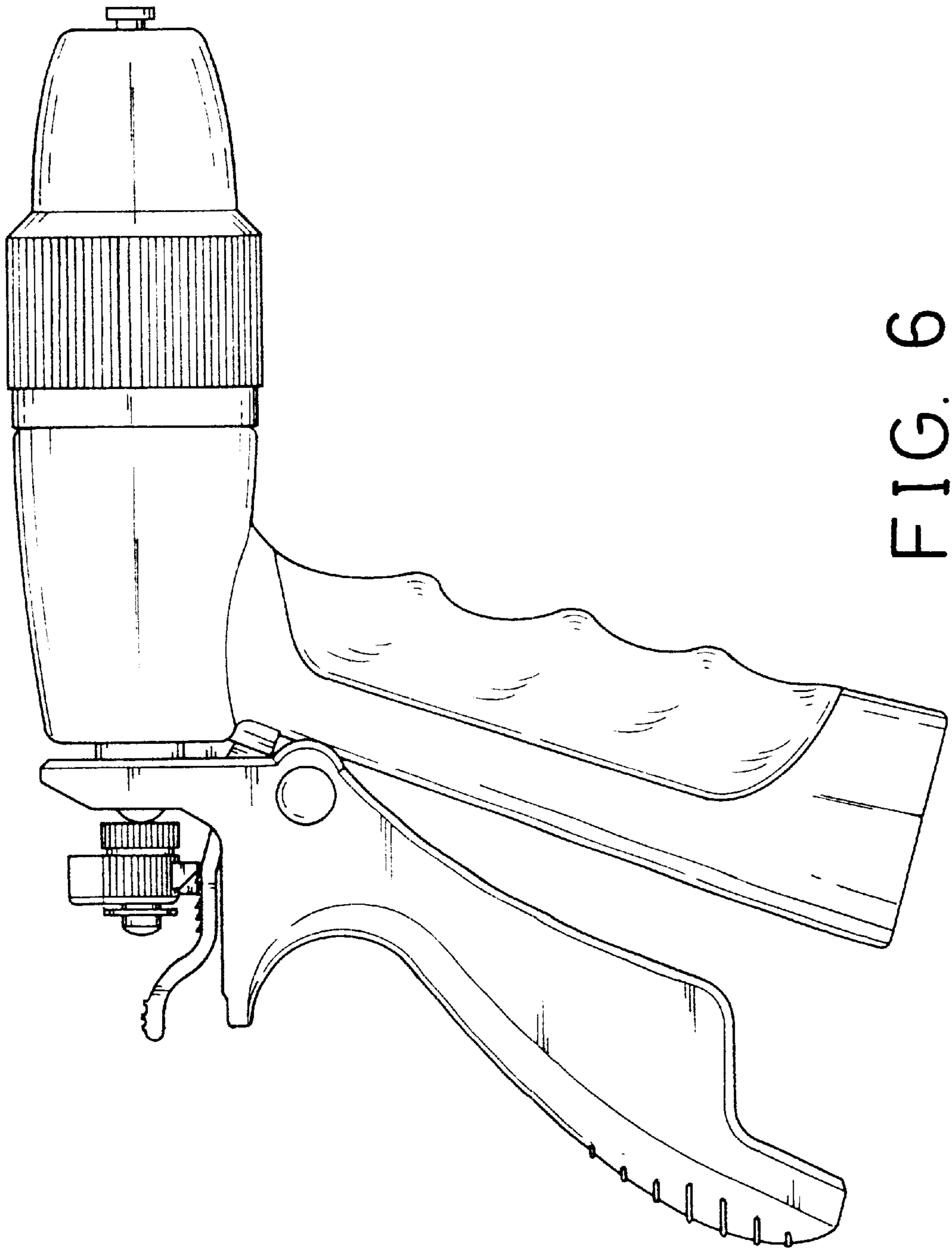


FIG. 6

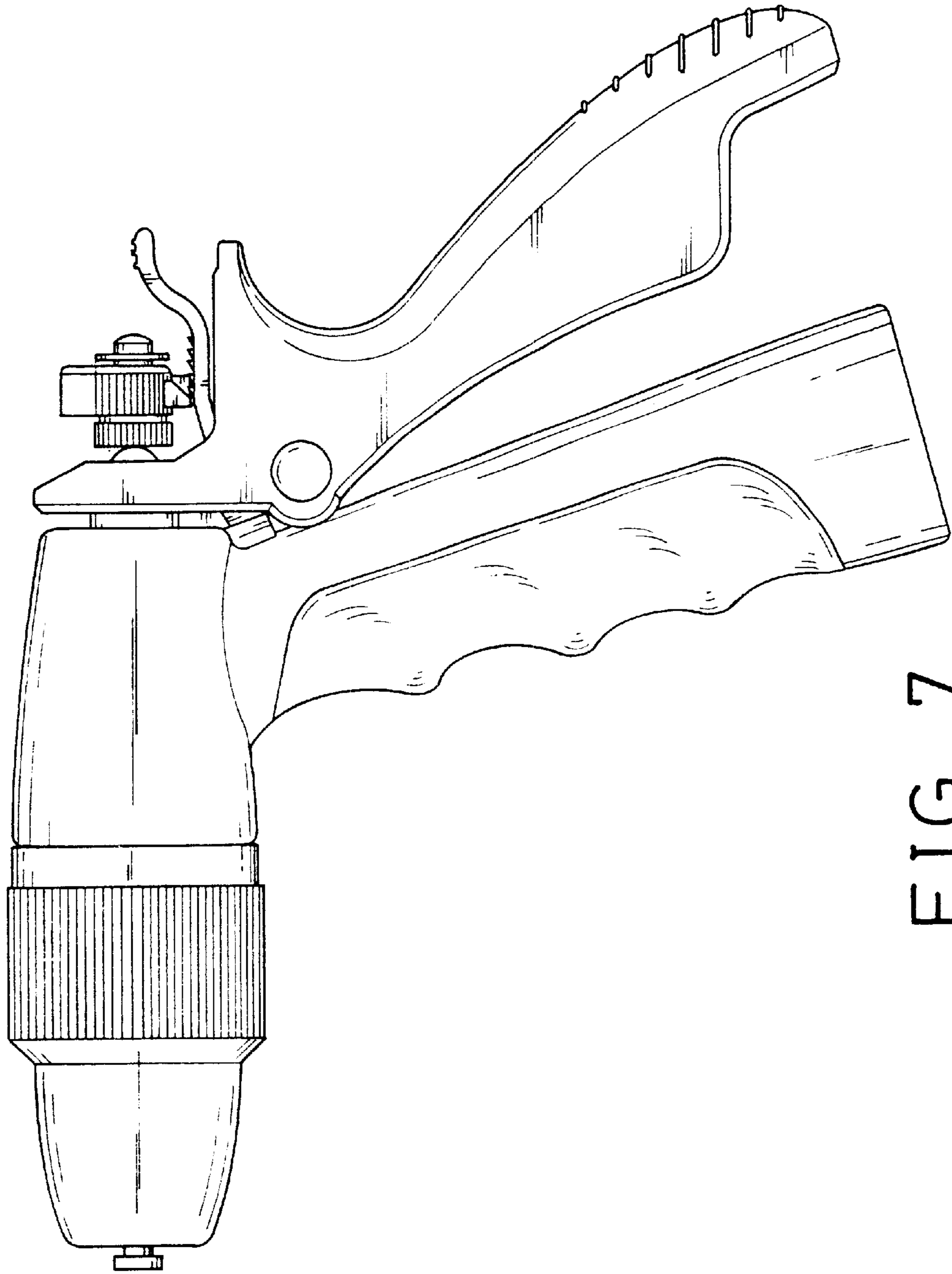


FIG. 7