



US00D461226S

(12) **United States Design Patent**  
**Hunter**

(10) **Patent No.:** **US D461,226 S**

(45) **Date of Patent:** **\*\* Aug. 6, 2002**

(54) **SPRAY GUN**

(75) Inventor: **Neil E. Hunter**, Surrey (GB)

(73) Assignee: **Earlex Limited**, Surrey (GB)

(\*\*) Term: **14 Years**

(21) Appl. No.: **29/141,500**

(22) Filed: **May 8, 2001**

(30) **Foreign Application Priority Data**

Nov. 22, 2000 (GB) ..... 2097621

(51) **LOC (7) Cl.** ..... **23-01**

(52) **U.S. Cl.** ..... **D23/225**

(58) **Field of Search** ..... D23/213, 225;  
D8/2; 239/302, 308, 310, 316, 318

(56) **References Cited**

**U.S. PATENT DOCUMENTS**

D237,796 S \* 11/1975 Wagner ..... D23/225

D251,602 S \* 4/1979 Widmer ..... D23/225

D295,214 S \* 4/1988 Miller ..... D23/225

D297,350 S \* 8/1988 Kille ..... D23/225

D307,463 S \* 4/1990 Fushiya et al. .... D23/225

\* cited by examiner

*Primary Examiner*—Robin V. Taylor

(74) *Attorney, Agent, or Firm*—Ware, Fressola, Van Der Sluys & Adolphson LLP

(57) **CLAIM**

The ornamental design for a spray gun, as shown and described.

**DESCRIPTION**

FIG. 1 is an oblique front view showing my new design of a spray gun;

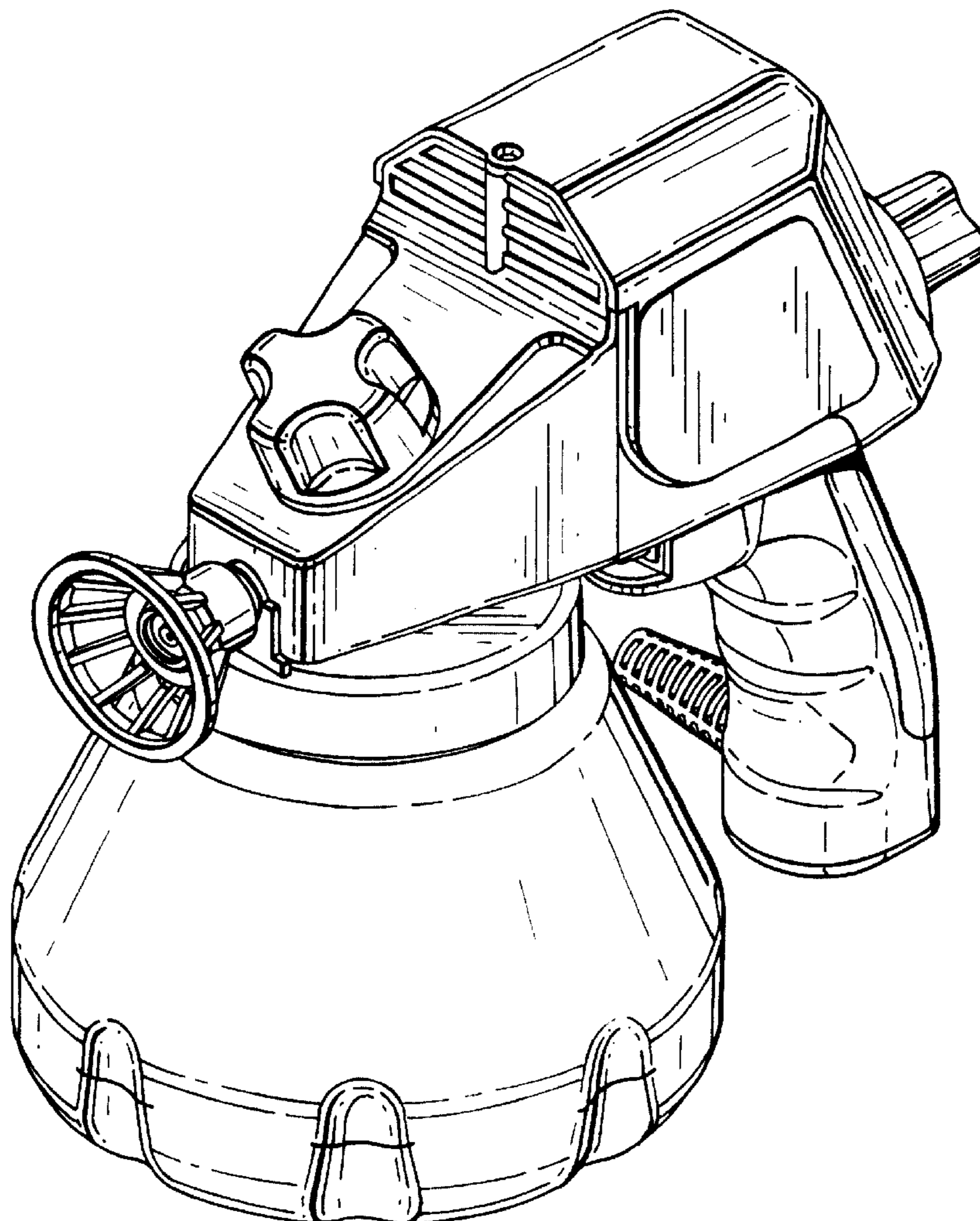
FIG. 2 is an oblique back view thereof;

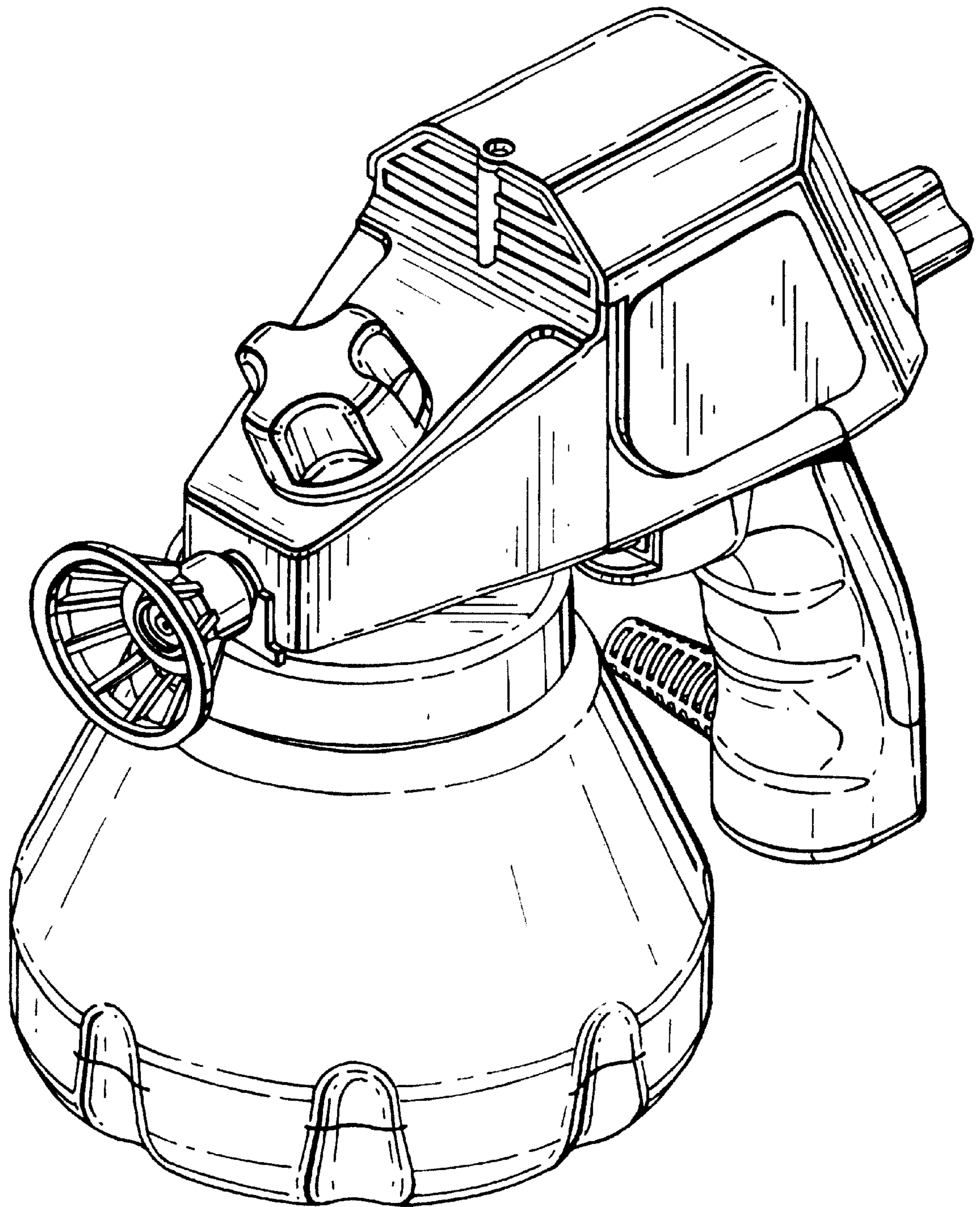
FIG. 3 is a front view thereof;

FIG. 4 is a right side view thereof; and,

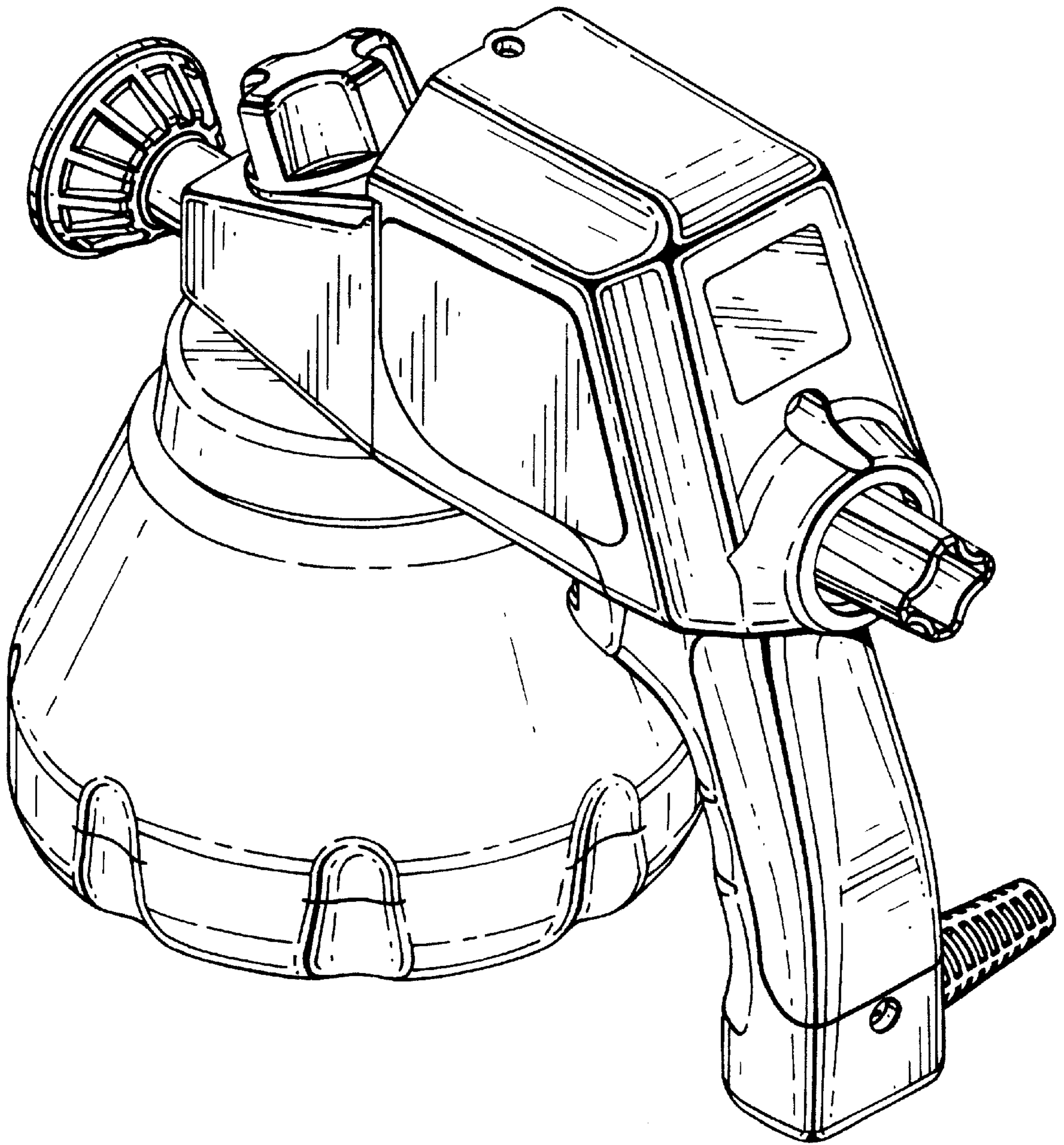
FIG. 5 is a top view thereof.

**1 Claim, 5 Drawing Sheets**

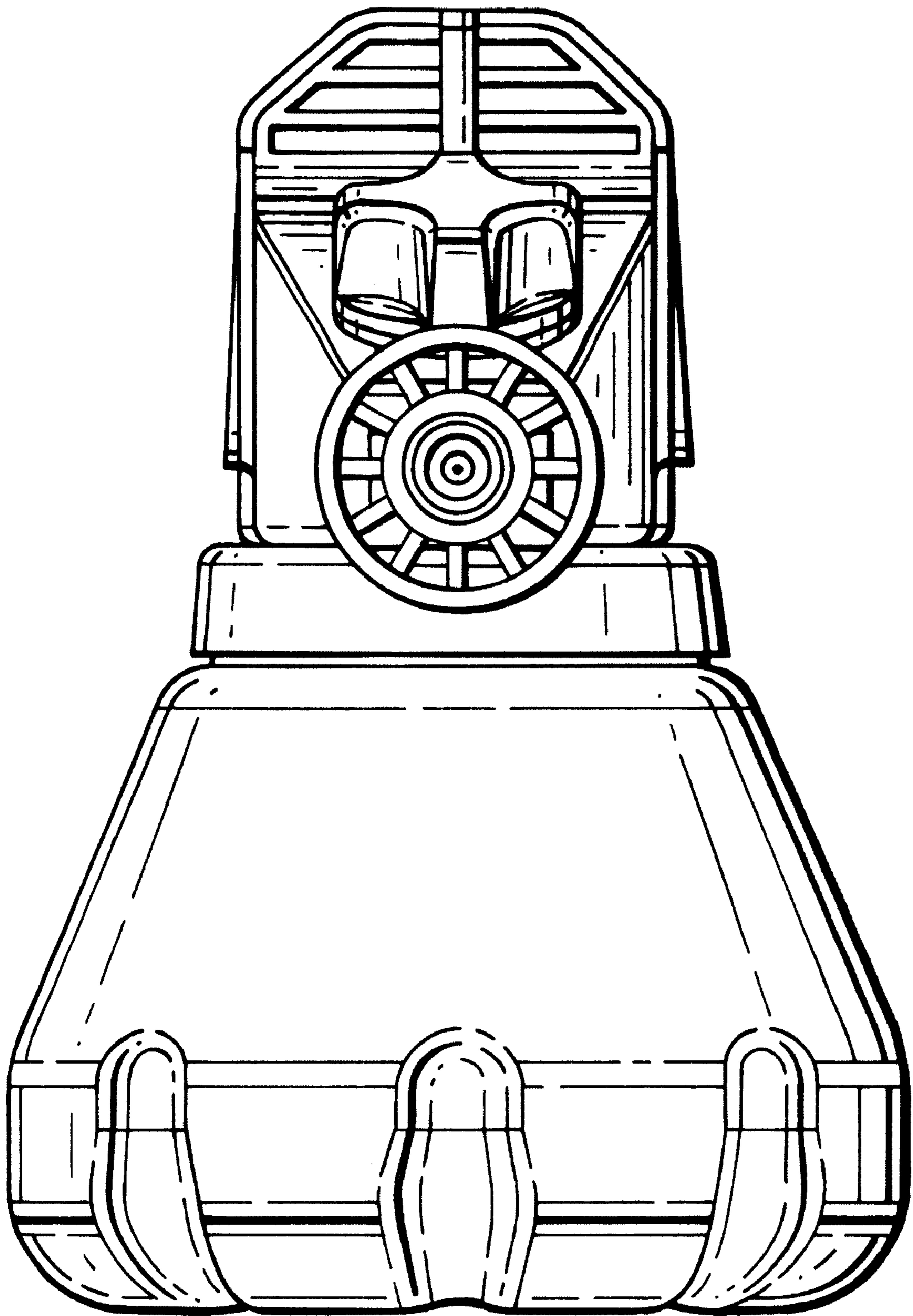




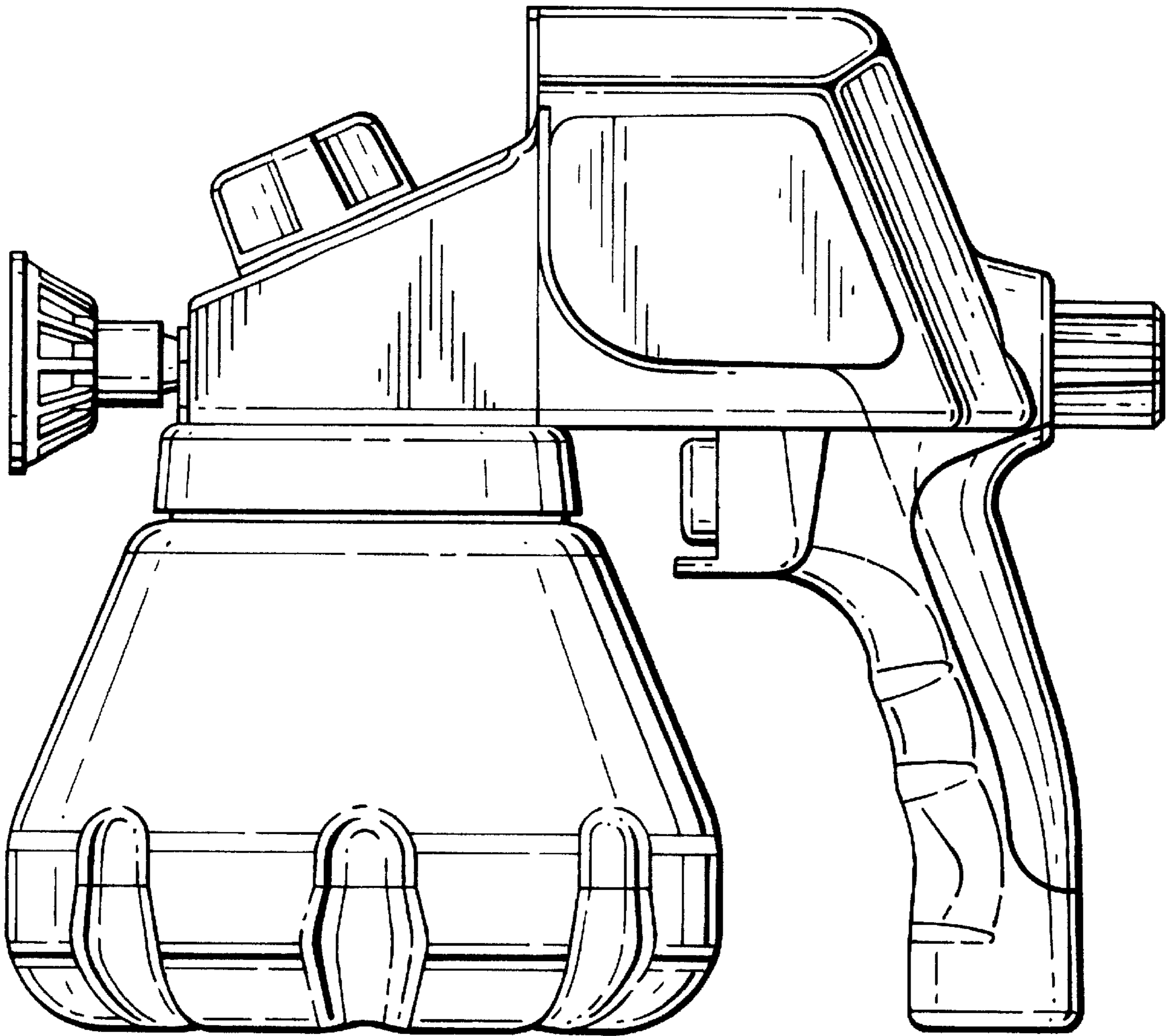
*Fig. 1*



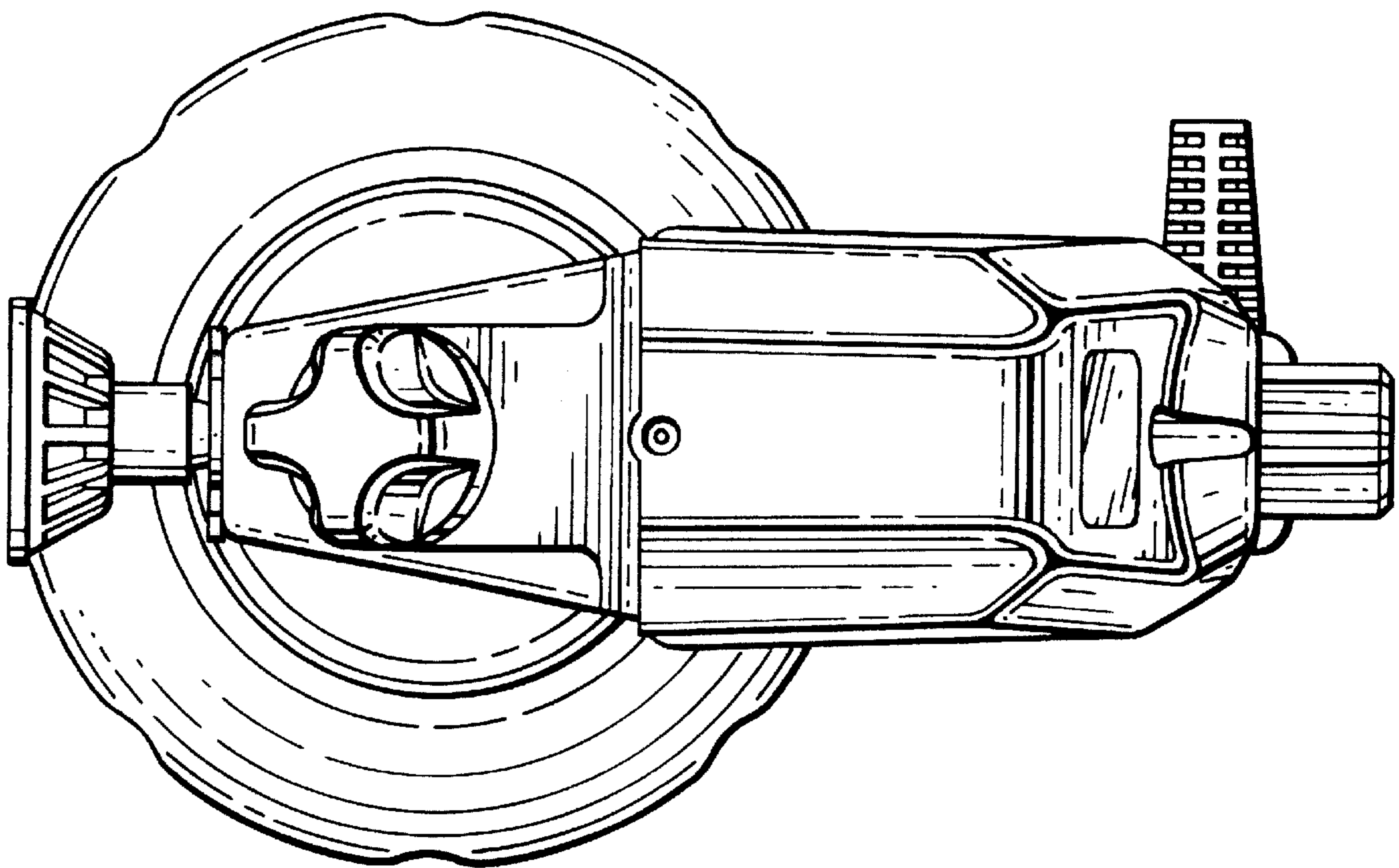
*Fig. 2*



*Fig. 3*



*Fig. 4*



*Fig. 5*