



US00D461223S

(12) **United States Design Patent**
Duncan et al.

(10) **Patent No.:** **US D461,223 S**

(45) **Date of Patent:** **** Aug. 6, 2002**

(54) **STOCK CAR SPRINKLER**

(76) Inventors: **Scott W. Duncan**, 9030 Bloomington Ave. South, Bloomington, MN (US) 55425; **Scott A. Dunlap**, 9307 11th Ave. South, Bloomington, MN (US) 55420

(**) **Term:** **14 Years**

(21) **Appl. No.:** **29/145,092**

(22) **Filed:** **Jul. 16, 2001**

(51) **LOC (7) Cl.** **23-01**

(52) **U.S. Cl.** **D23/215; D23/219**

(58) **Field of Search** **D23/213, 214, D23/215, 219, 220; 239/211; D21/548, 549, 550; D12/82, 86, 88**

(56) **References Cited**

U.S. PATENT DOCUMENTS

D151,118 S	9/1948	Borgerson	
2,575,828 A	11/1951	Muench	299/49
2,883,116 A *	4/1959	Muench	D23/219
2,901,180 A	8/1959	Warrick et al.	239/67
3,085,751 A	4/1963	Warrick et al.	239/183
3,507,336 A	4/1970	Nelson	172/438
3,785,563 A	1/1974	Maple	239/183
3,915,383 A	10/1975	King	239/242

4,003,519 A	1/1977	Kruse et al.	239/183
4,059,229 A	11/1977	Pescetto	239/183
D301,603 S	6/1989	Herrera	D23/215
5,419,494 A	5/1995	Harwood	239/211
D386,254 S *	11/1997	Lung-Ruey	D23/215
D391,625 S	3/1998	Sabatta	D23/220
D421,933 S *	3/2000	Bender	D12/88
D438,529 S *	3/2001	Brennan	D12/88
D441,831 S	5/2001	Heren et al.	D23/215
D443,915 S	6/2001	Heren et al.	D23/220

* cited by examiner

Primary Examiner—Robin V. Taylor

(74) *Attorney, Agent, or Firm*—Patterson, Thuente, Skaar & Christensen, P.A.

(57) **CLAIM**

We claim the ornamental design for stock car sprinkler, as shown.

DESCRIPTION

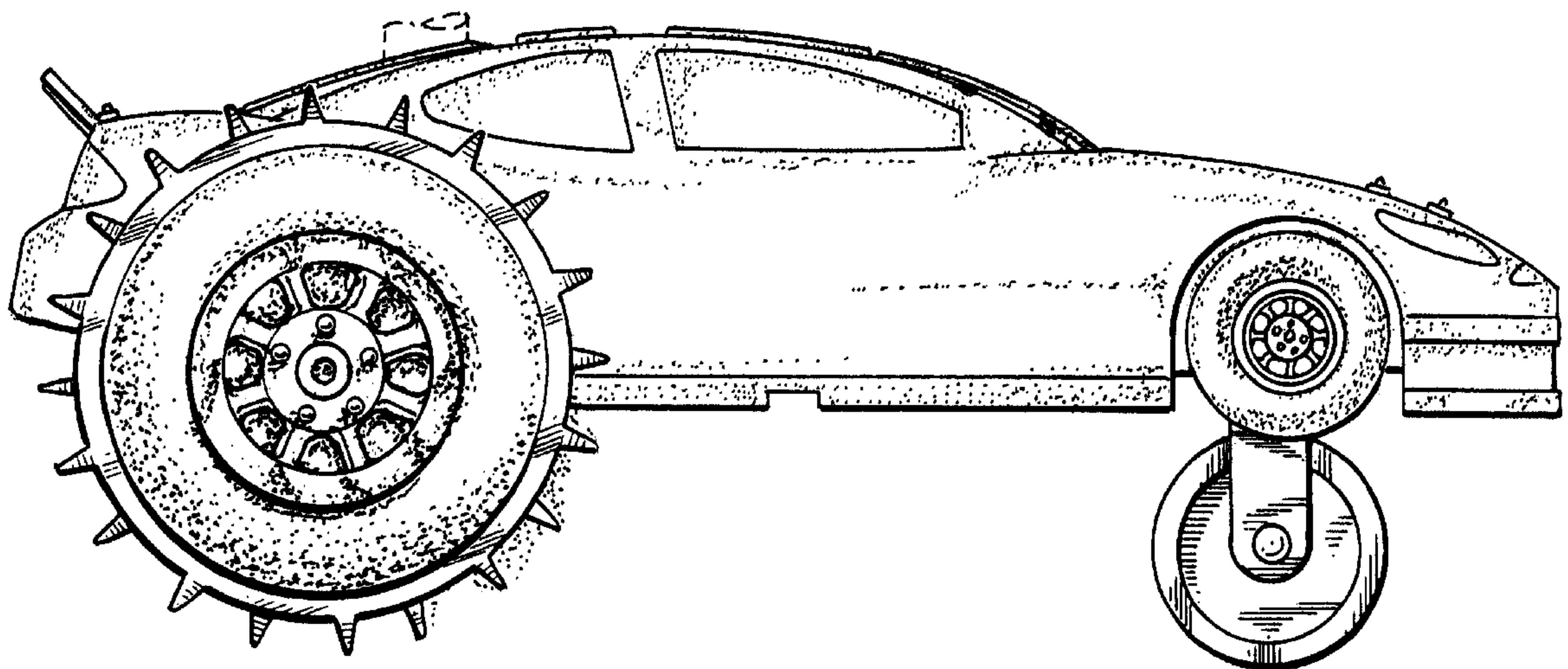
FIG. 1 is a side view of the stock car sprinkler according to the present invention.

FIG. 2 is a top view of the stock car sprinkler.

FIG. 3 is a front view of the stock car sprinkler; and,

FIG. 4 is a back view of the stock car sprinkler.

1 Claim, 3 Drawing Sheets



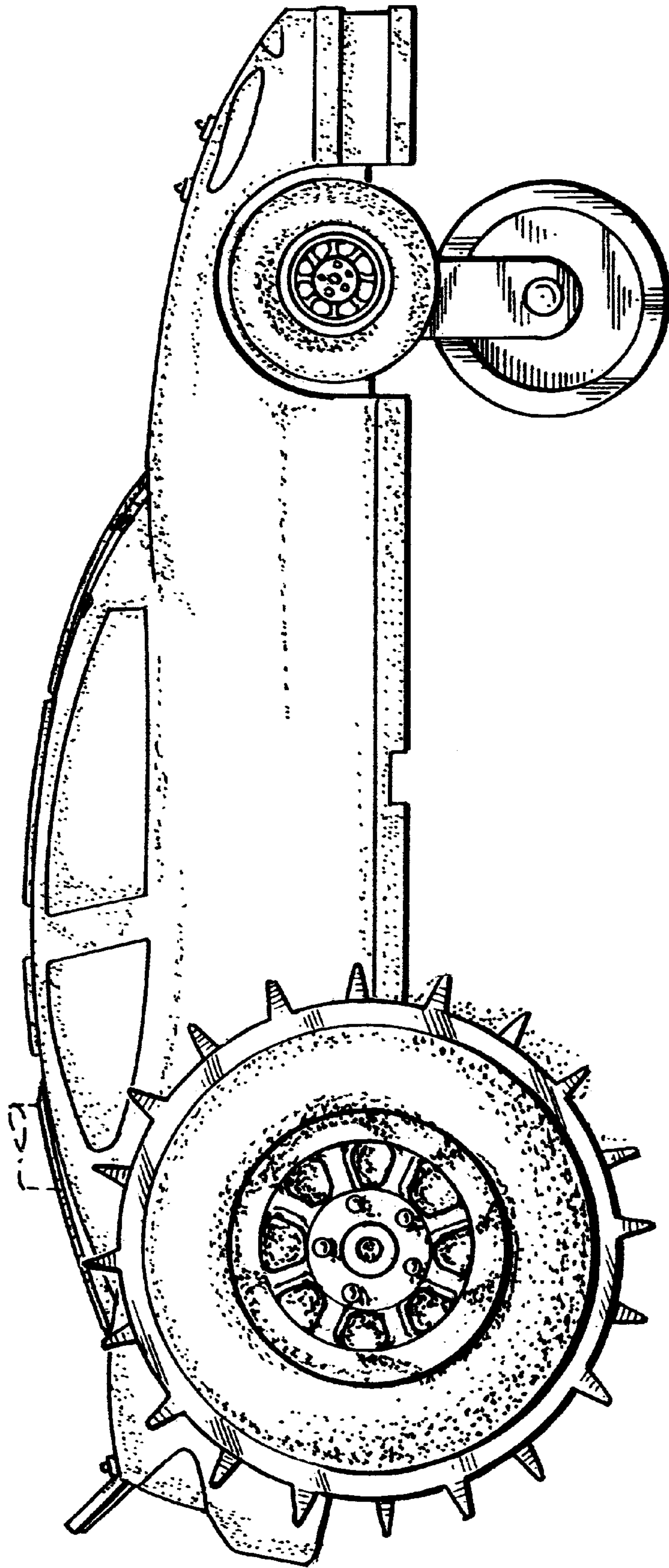


Fig. 1

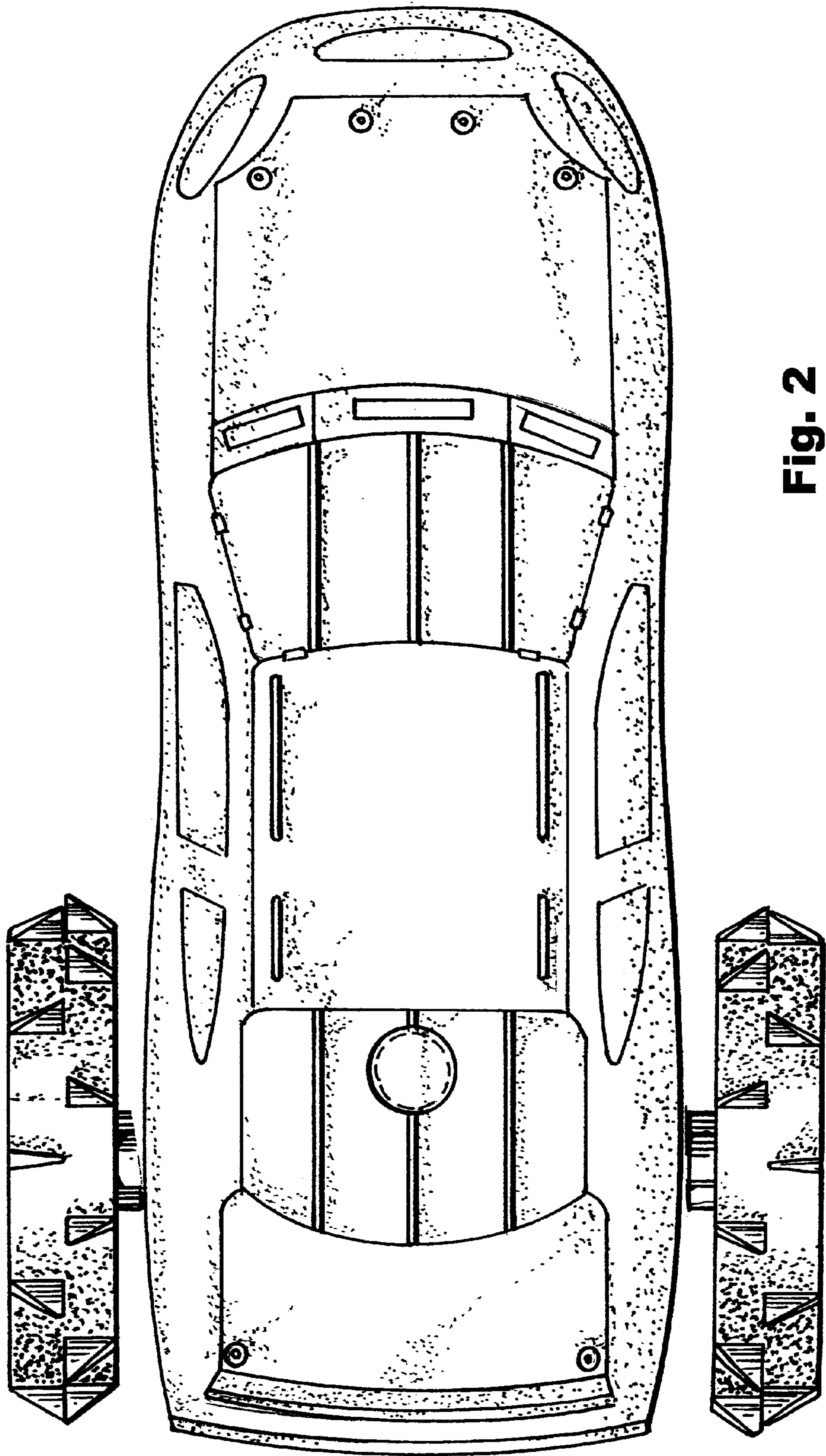


Fig. 2

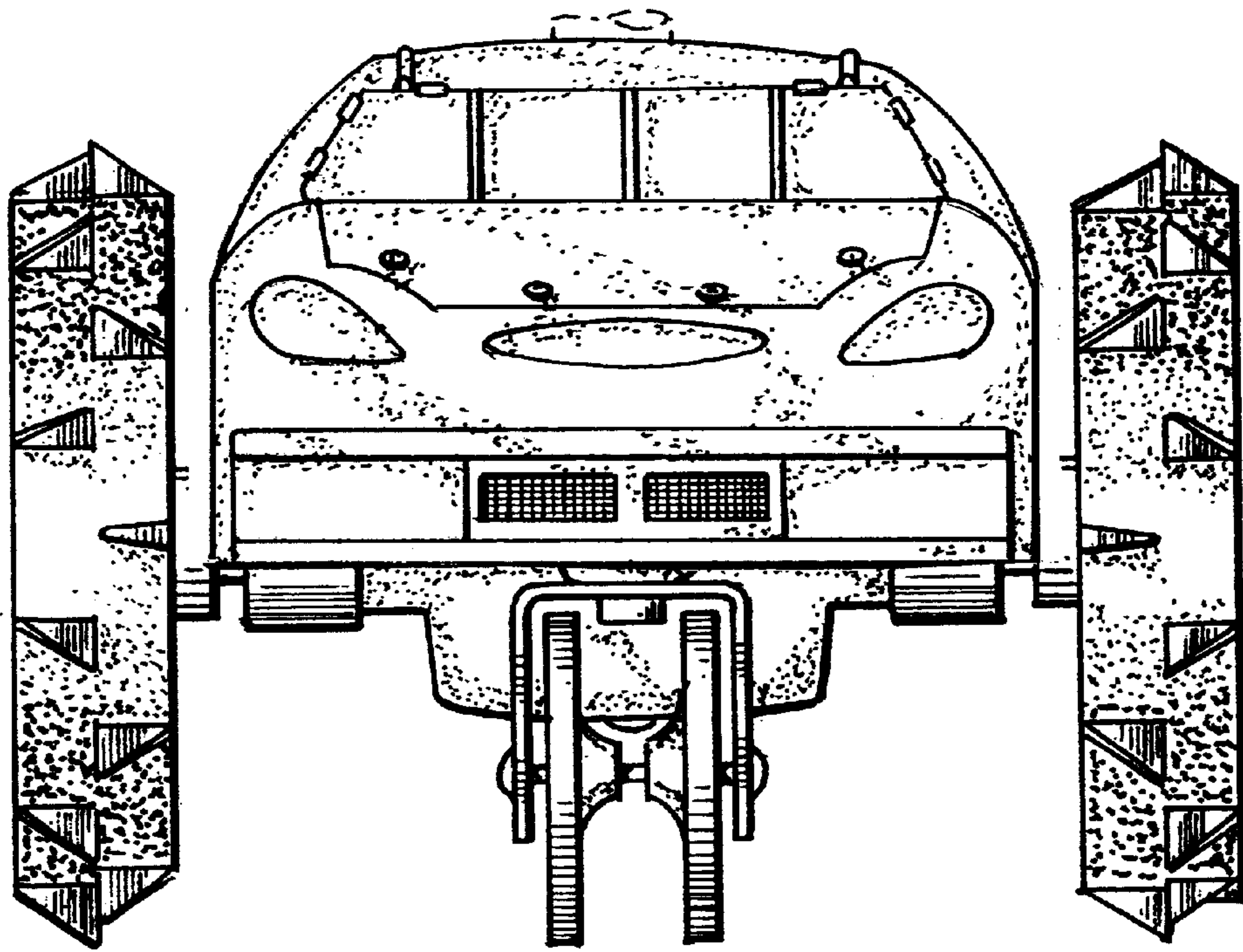


Fig. 3

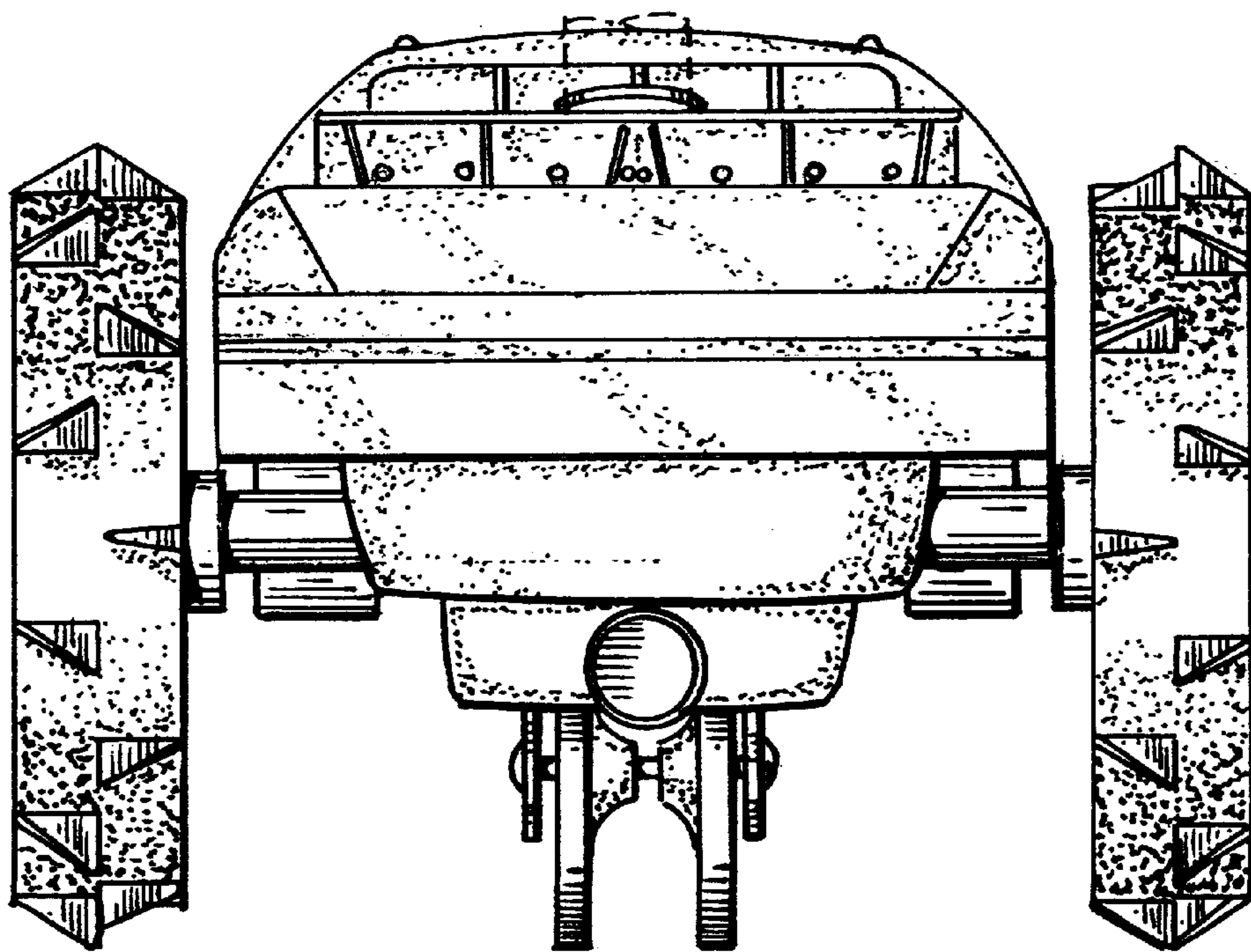


Fig. 4