



US00D461216S

(12) **United States Design Patent**
Luther, Sr.

(10) **Patent No.:** **US D461,216 S**

(45) **Date of Patent:** **** Aug. 6, 2002**

(54) **GOLF TEE DEVICE**

(76) **Inventor:** **Walter C. Luther, Sr.,** RR 23, Box
1450, Lake City, FL (US) 32025-8129

(**) **Term:** **14 Years**

(21) **Appl. No.:** **29/147,905**

(22) **Filed:** **Sep. 10, 2001**

(51) **LOC (7) Cl.** **21-02**

(52) **U.S. Cl.** **D21/791; D21/717; D21/719**

(58) **Field of Search** **D21/789, 791,**
D21/717-719; 473/391

(56) **References Cited**

U.S. PATENT DOCUMENTS

5,033,747	A	*	7/1991	Young	473/391
5,221,090	A	*	6/1993	Hong	473/391
5,372,362	A	*	12/1994	Barker	473/391
D432,195	S	*	10/2000	Yates	D21/780

* cited by examiner

Primary Examiner—Mitchell Siegel
(74) *Attorney, Agent, or Firm*—Arthur G. Yeager

(57) **CLAIM**

I claim the ornamental design for a golf tee device, as shown, and described.

DESCRIPTION

FIG. 1 is a front perspective view of a golf tee device showing my new design, with cords being fully shown between the three tee components and the weight;

FIG. 2 is a right side elevational view thereof;

FIG. 3 is a left side elevational view thereof;

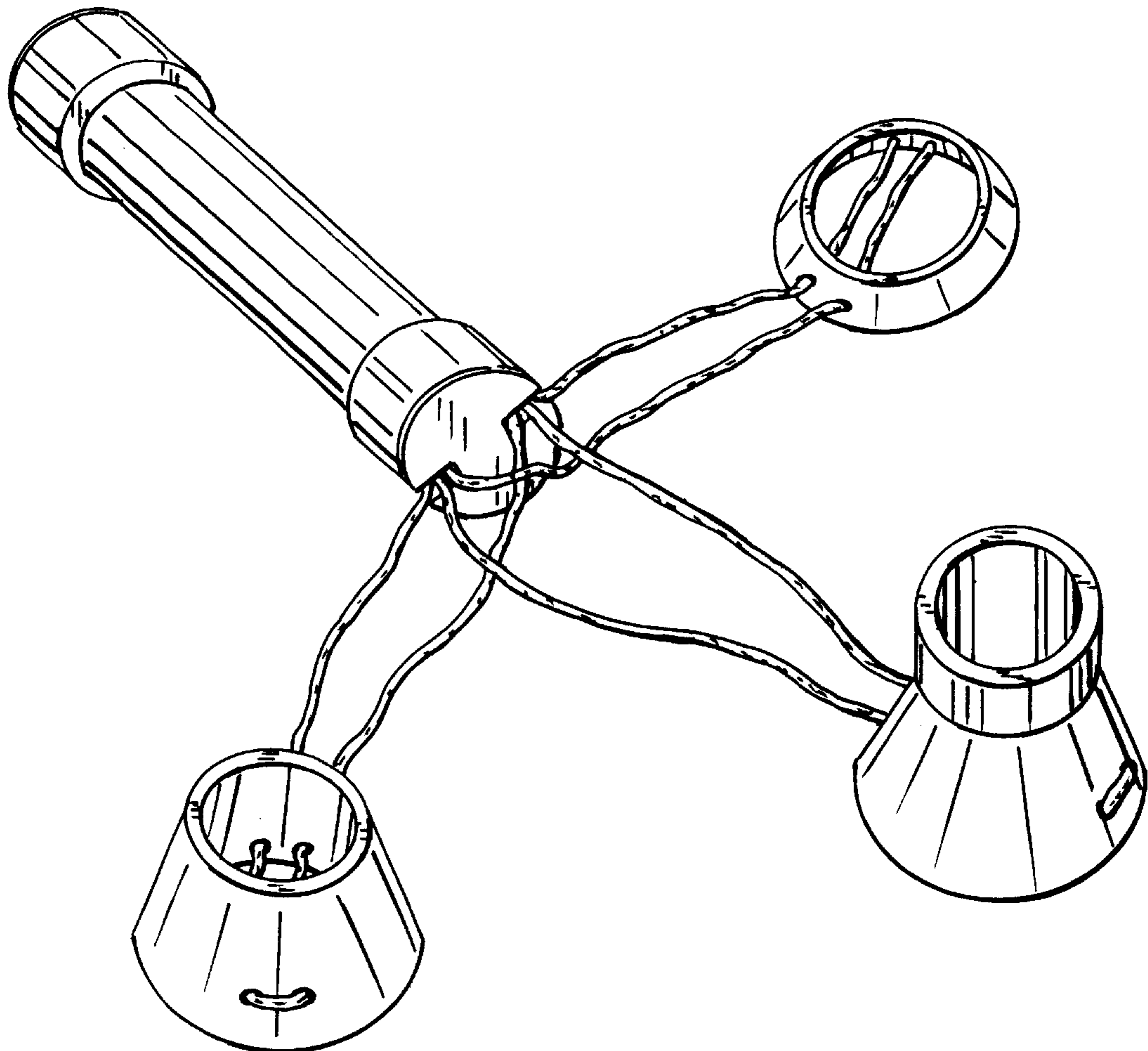
FIG. 4 is a front elevational view thereof;

FIG. 5 is a rear elevational view thereof;

FIG. 6 is a top plan view thereof; and,

FIG. 7 is a bottom plan view thereof.

1 Claim, 5 Drawing Sheets



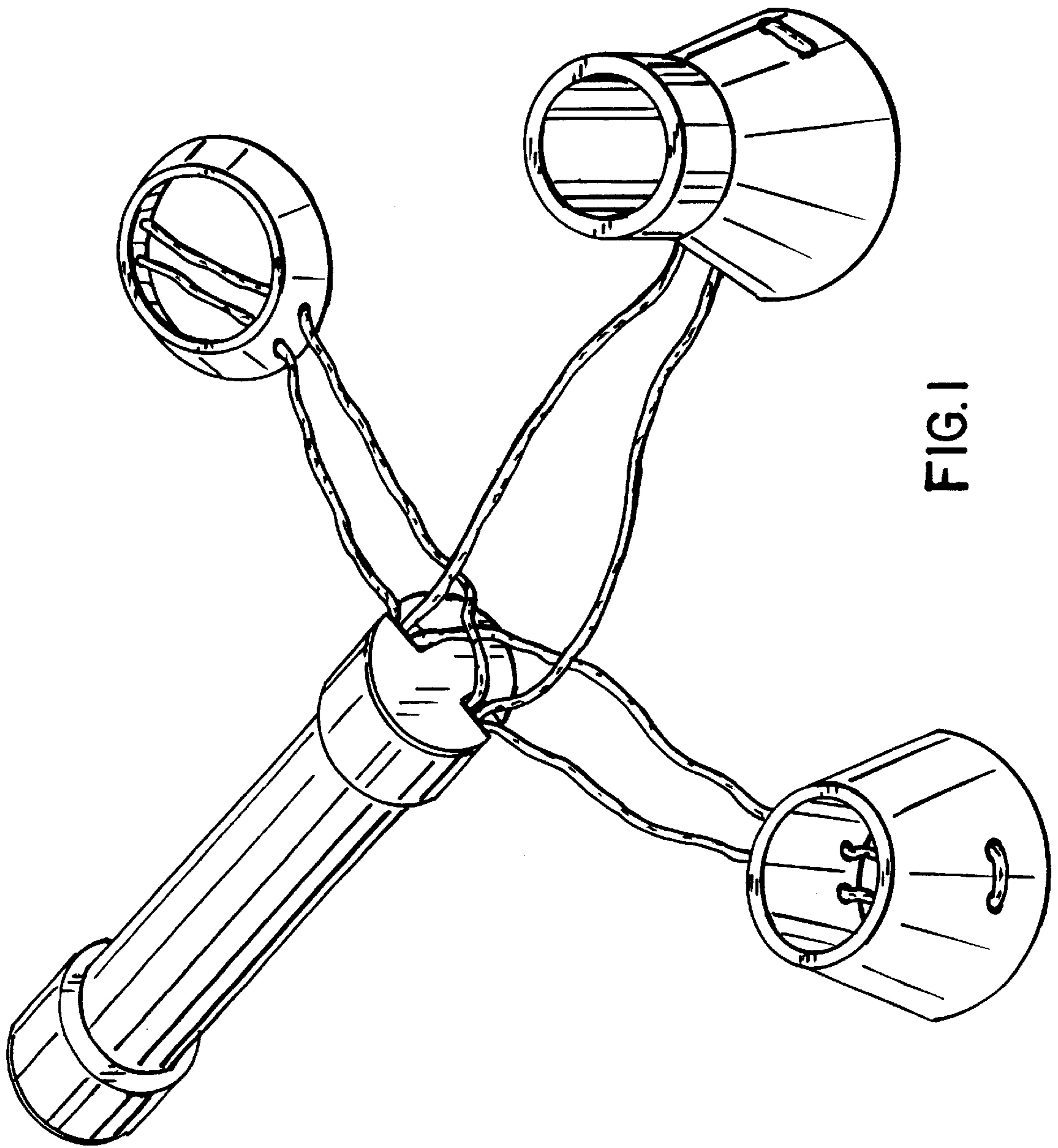


FIG. 1

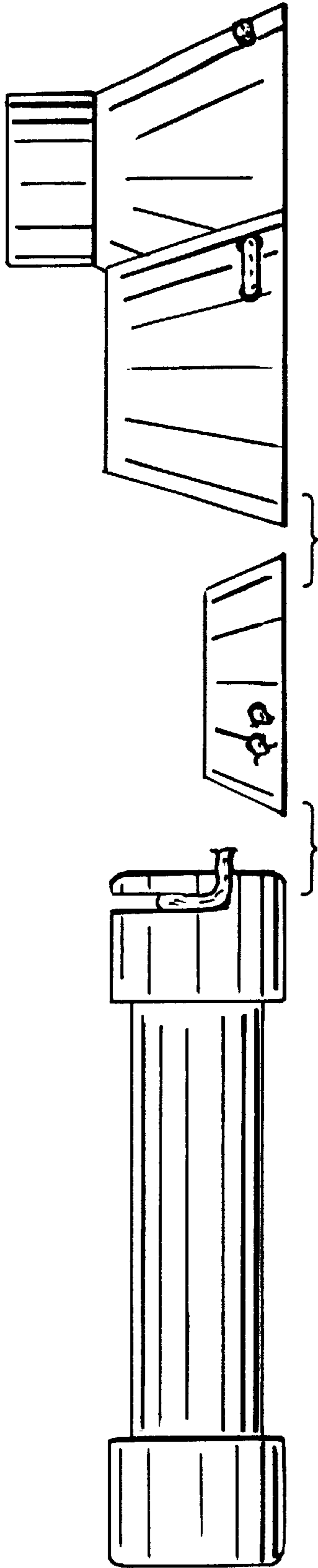


FIG. 2

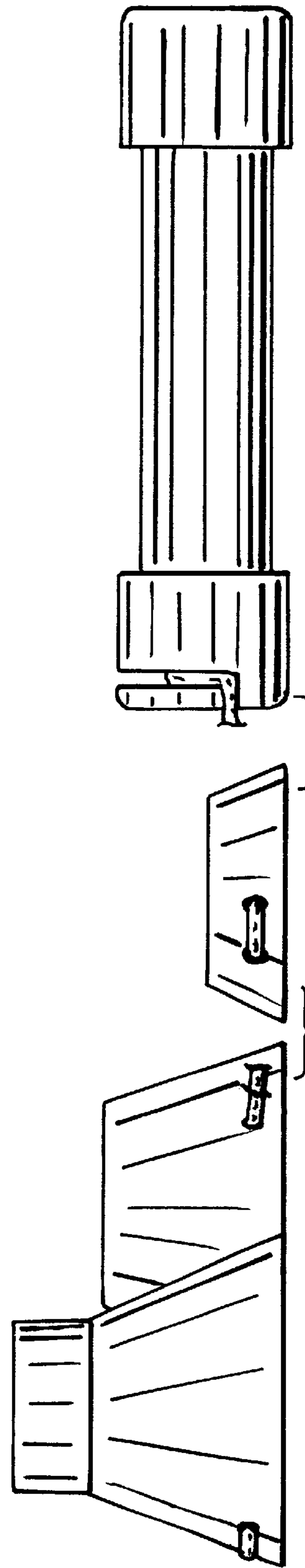


FIG. 3

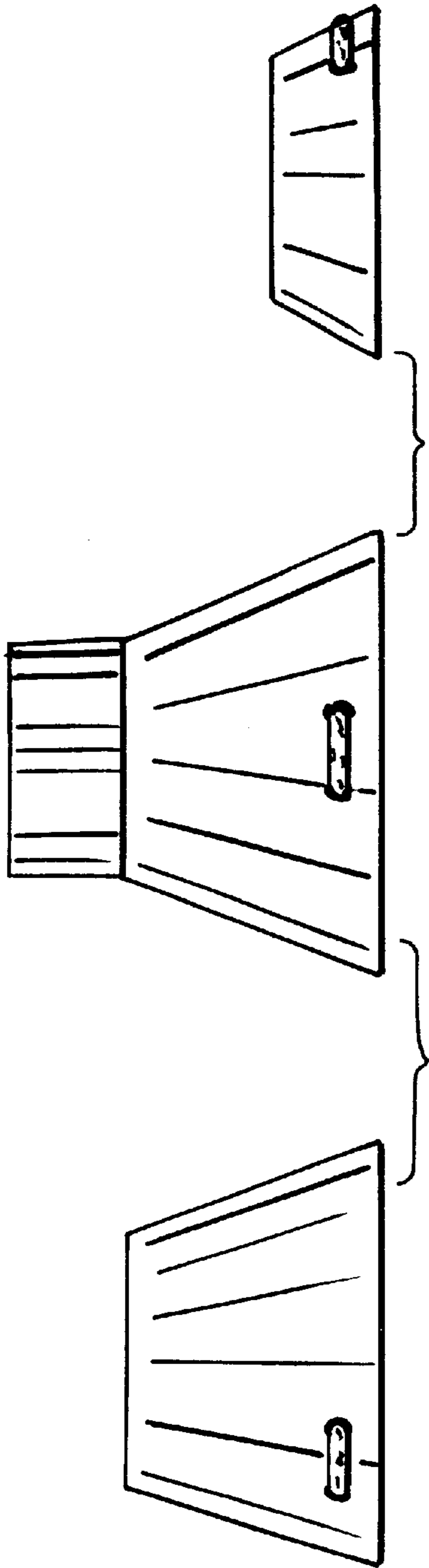


FIG. 4

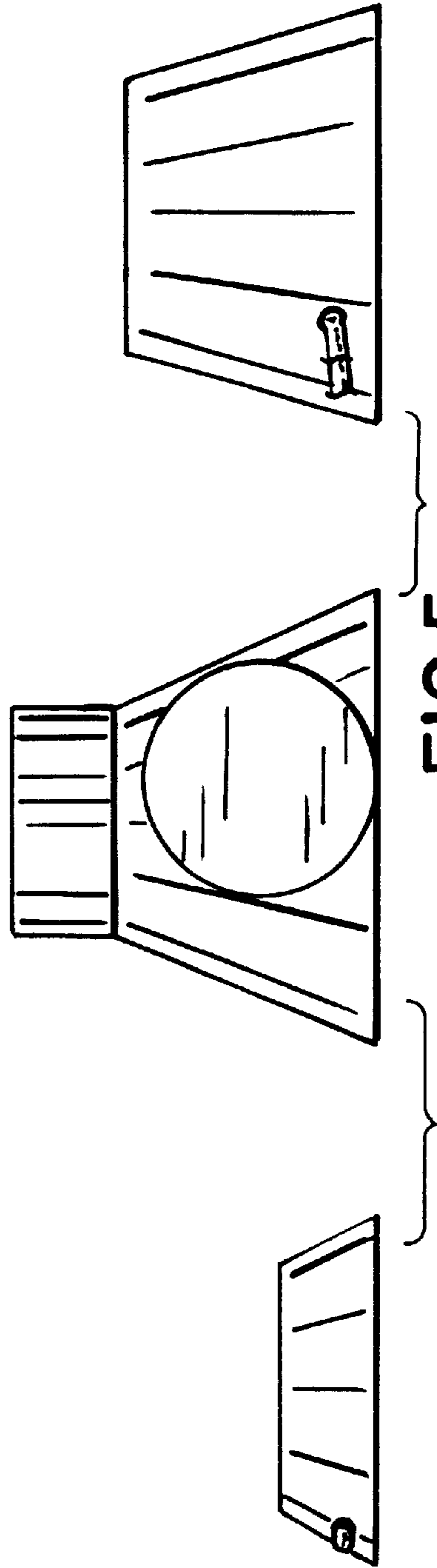


FIG. 5

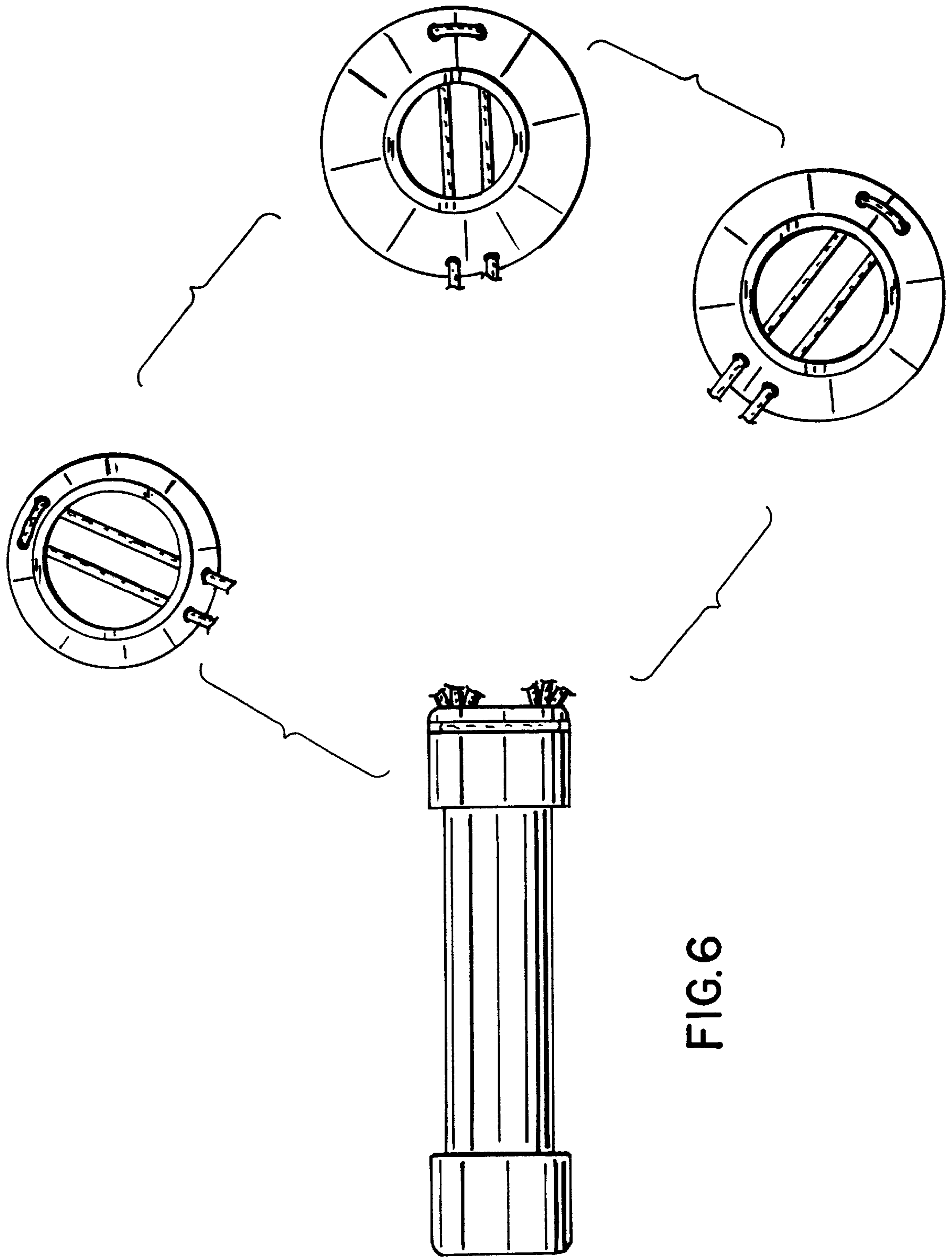


FIG. 6

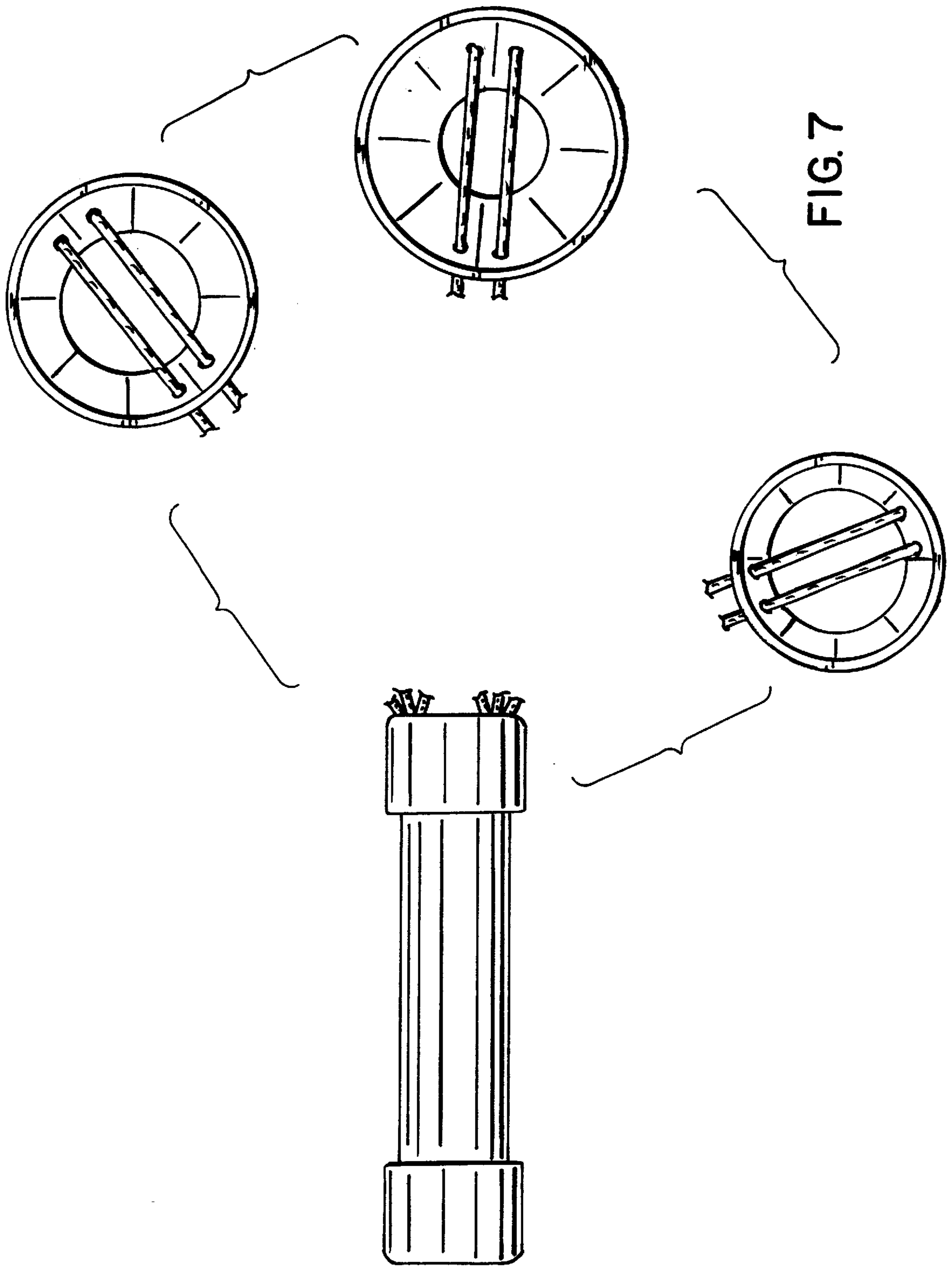


FIG. 7