



US00D461210S

(12) **United States Design Patent**
Fon

(10) **Patent No.:** **US D461,210 S**

(45) **Date of Patent:** **** Aug. 6, 2002**

(54) **EXERCISE DEVICE**

(76) **Inventor:** **Su-Jung Fon**, 5 Fl.-5, No. 142,
Ta-Hsiang St., Hsi-Tun Dist., Taichung
(TW)

(**) **Term:** **14 Years**

(21) **Appl. No.:** **29/144,415**

(22) **Filed:** **Jul. 3, 2001**

(51) **LOC (7) Cl.** **21-02**

(52) **U.S. Cl.** **D21/666**

(58) **Field of Search** D21/662, 663,
D21/665, 666, 668, 667; 482/51, 52, 53,
57, 58, 59

(56) **References Cited**

U.S. PATENT DOCUMENTS

D305,677 S	*	1/1990	Beistegui	D21/666
D320,826 S	*	10/1991	Hildebrandt et al.	D21/666
D324,090 S	*	2/1992	Miller	D21/666
D340,758 S	*	10/1993	Ueda	D21/666
D342,299 S	*	12/1993	Birrell et al.	D21/666

D347,039 S	*	5/1994	Littrell et al.	D21/666
D353,422 S	*	12/1994	Bostic et al.	D21/665
D355,942 S	*	2/1995	Wu	D21/666
D362,699 S	*	9/1995	Heaton et al.	D21/666
D403,032 S	*	12/1998	Huang	D21/666

* cited by examiner

Primary Examiner—Philip S. Hyder

(74) *Attorney, Agent, or Firm*—Rabin & Berdo, P.C.

(57) **CLAIM**

The ornamental design for an exercise device, as shown.

DESCRIPTION

FIG. 1 is a perspective view of an exercise device showing my new design;

FIG. 2 is a front elevational view thereof;

FIG. 3 is a rear elevational view thereof;

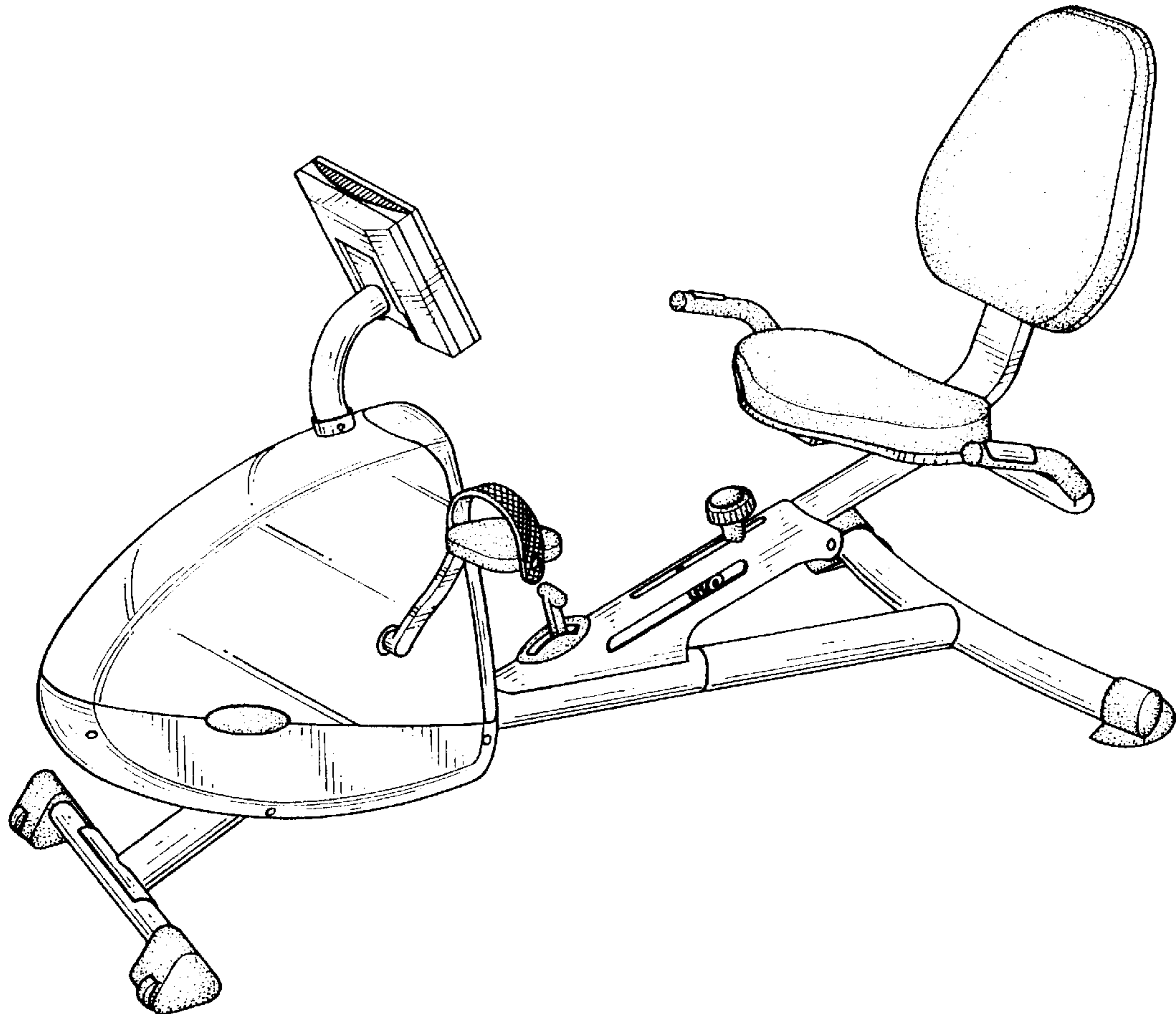
FIG. 4 is a left side view thereof;

FIG. 5 is a right side view thereof;

FIG. 6 is a top plain view thereof; and,

FIG. 7 is a bottom plain view thereof.

1 Claim, 6 Drawing Sheets



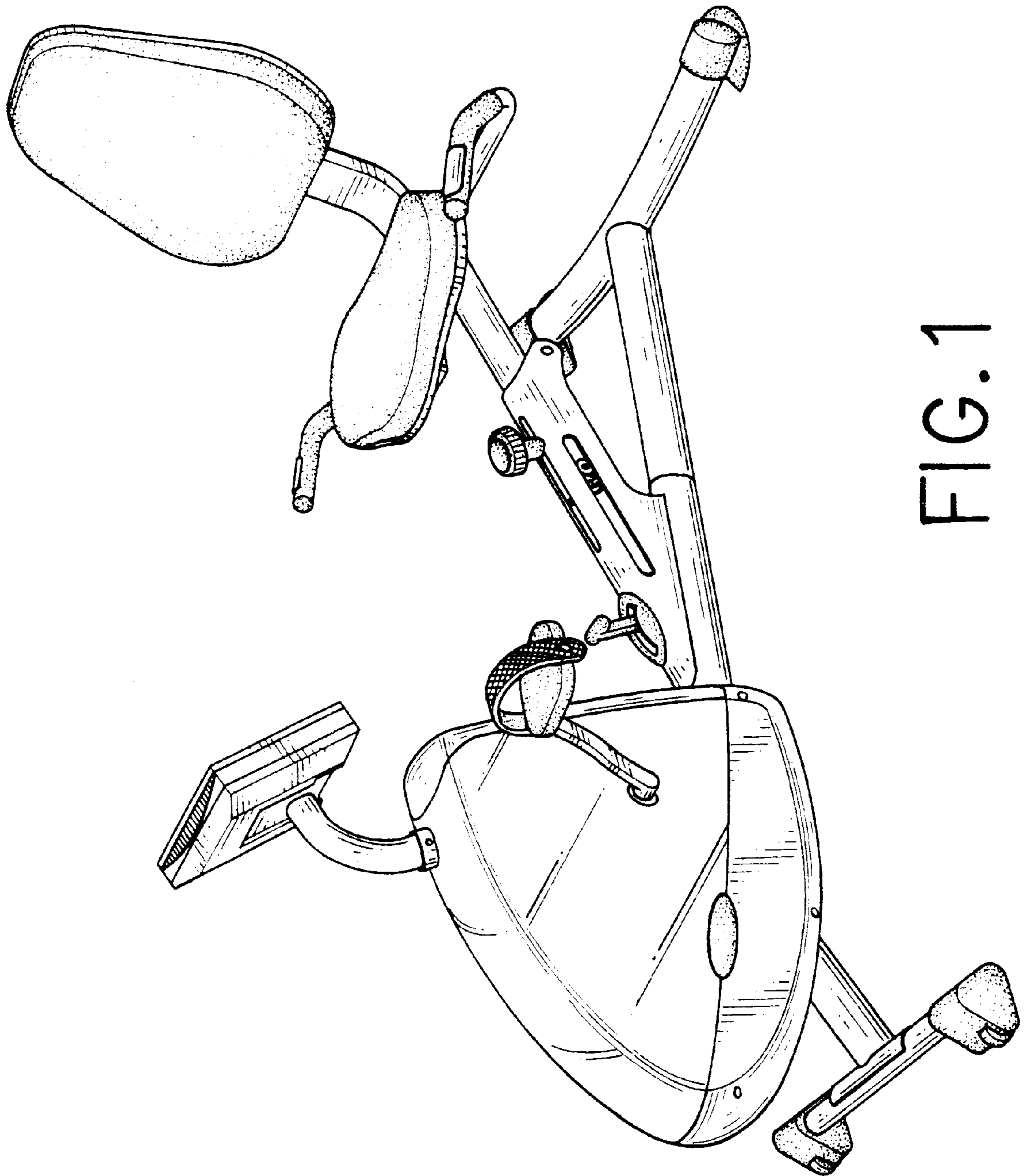


FIG. 1

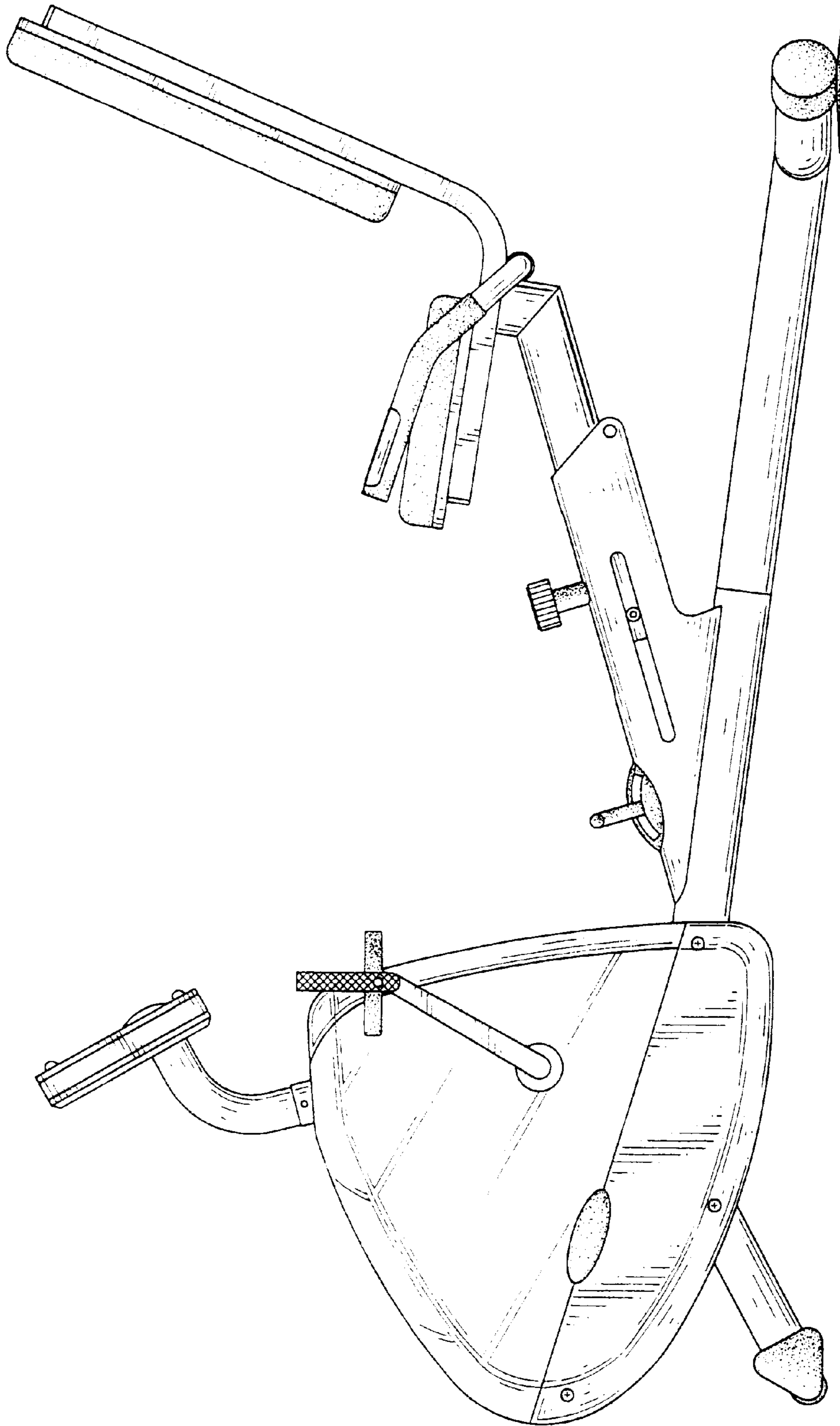


FIG. 2

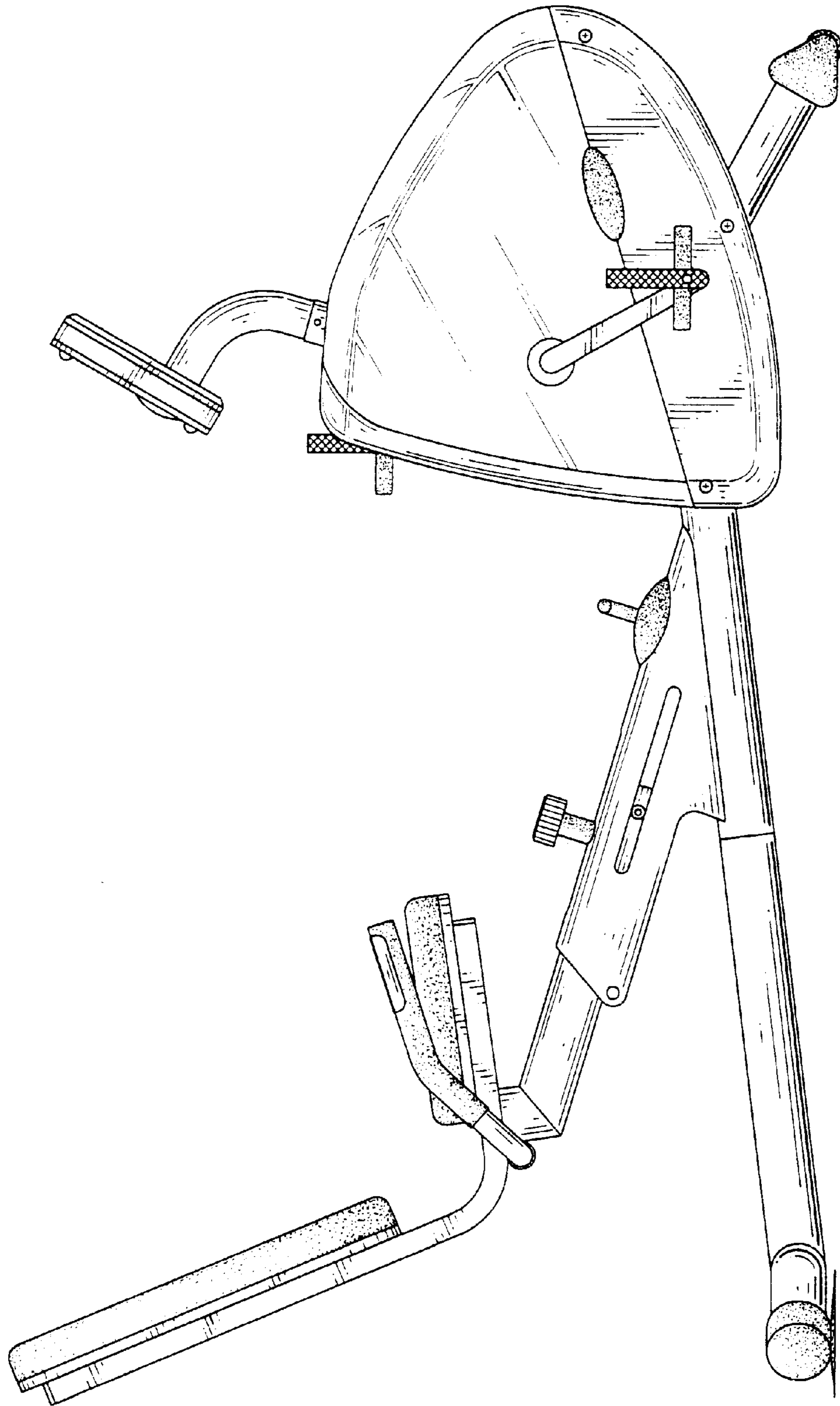


FIG. 3

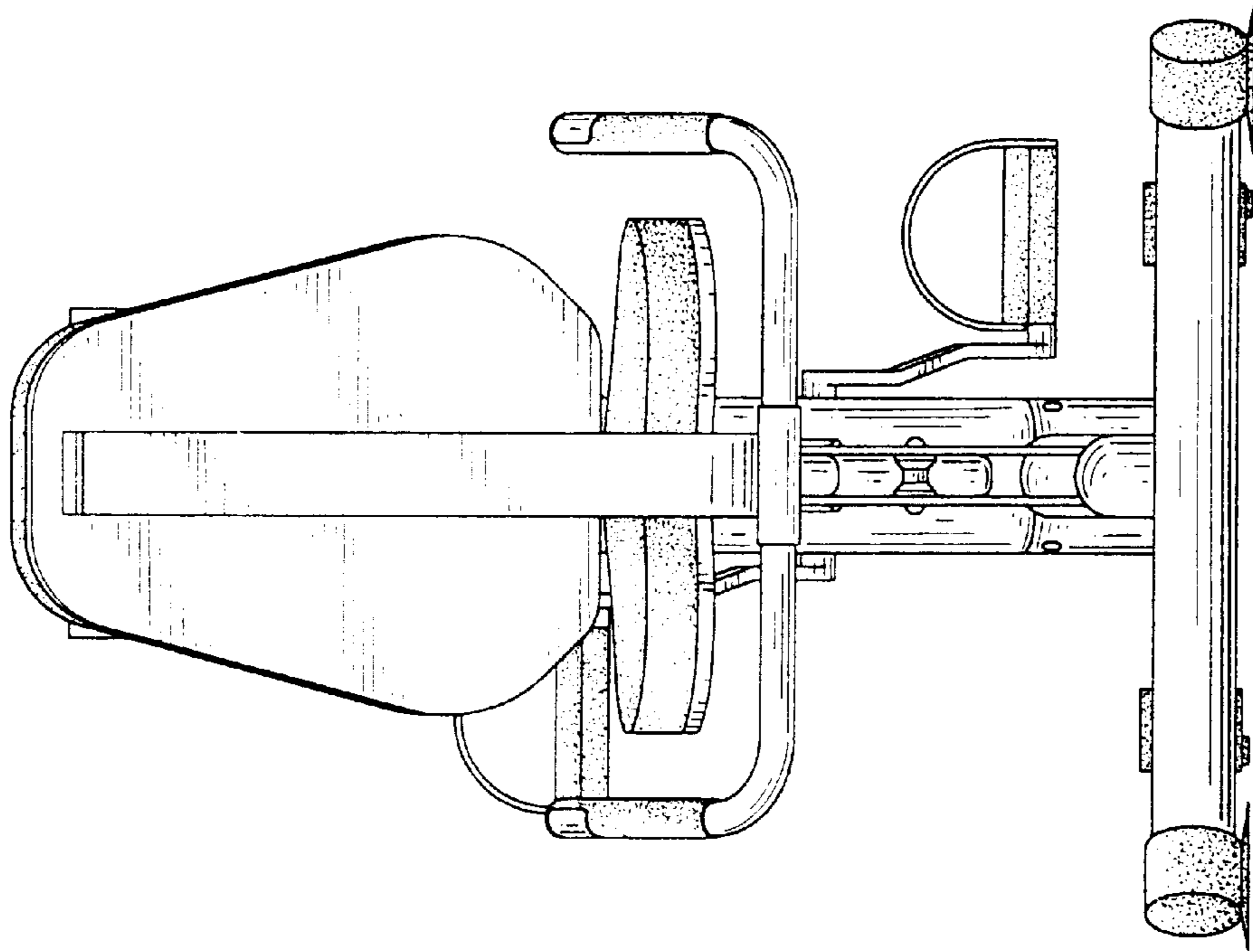


FIG. 4

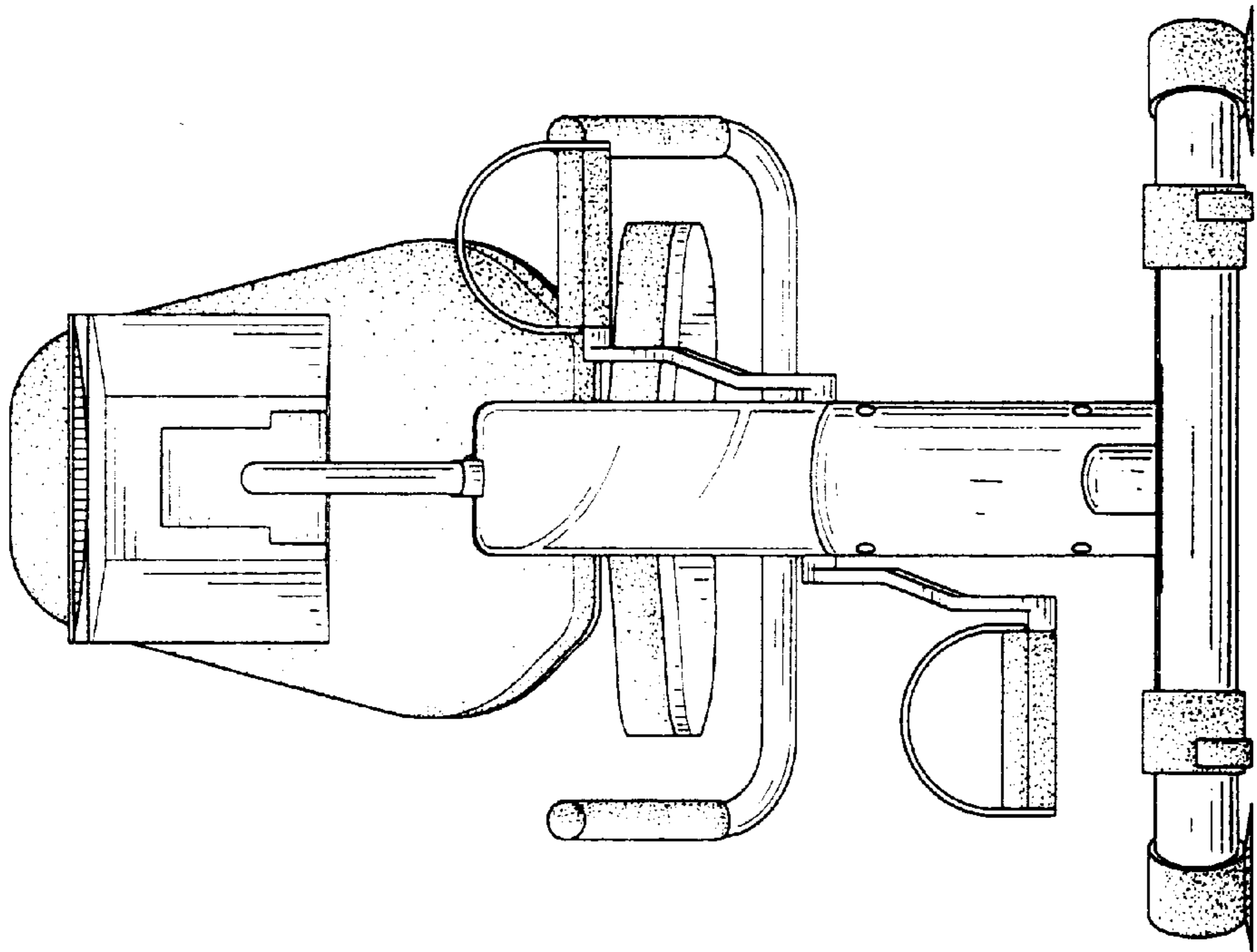


FIG. 5

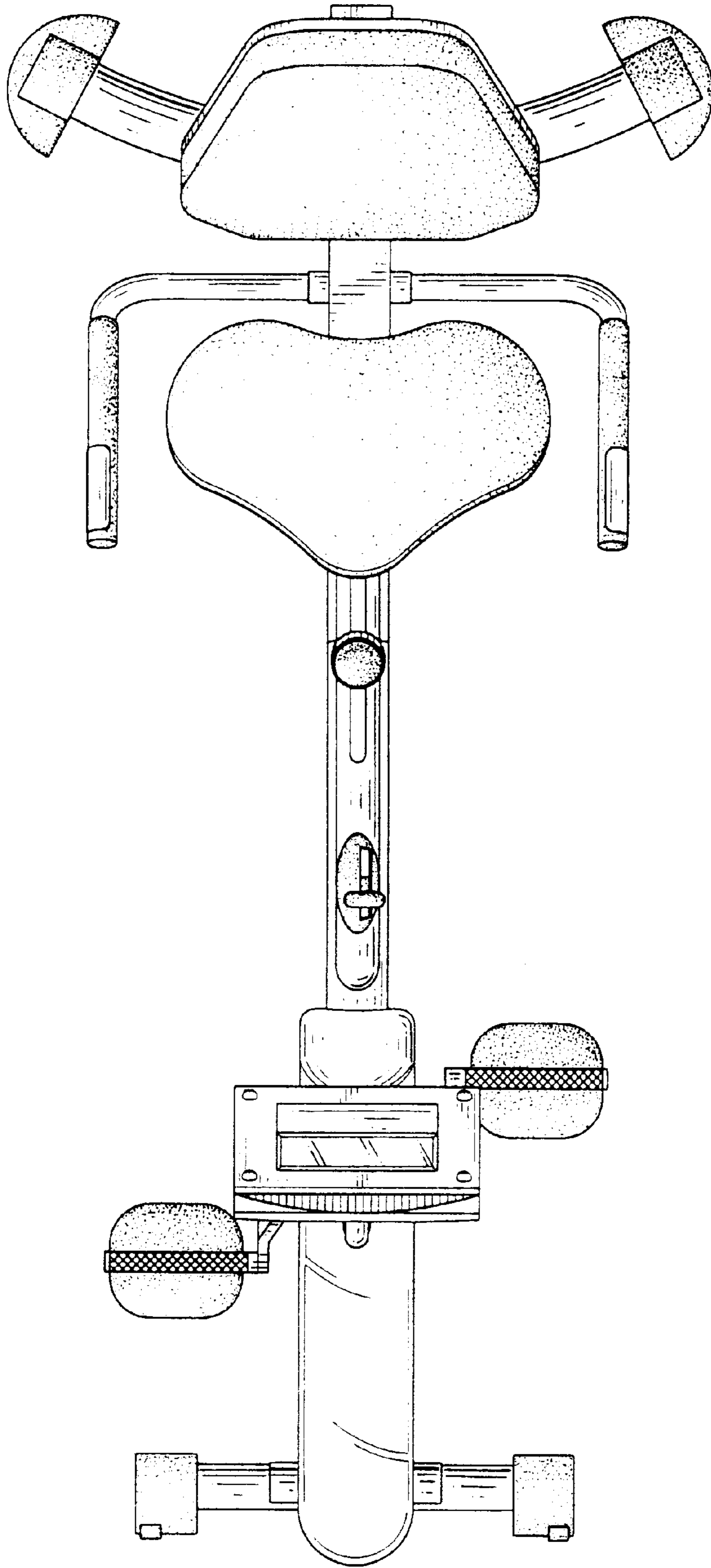


FIG. 6

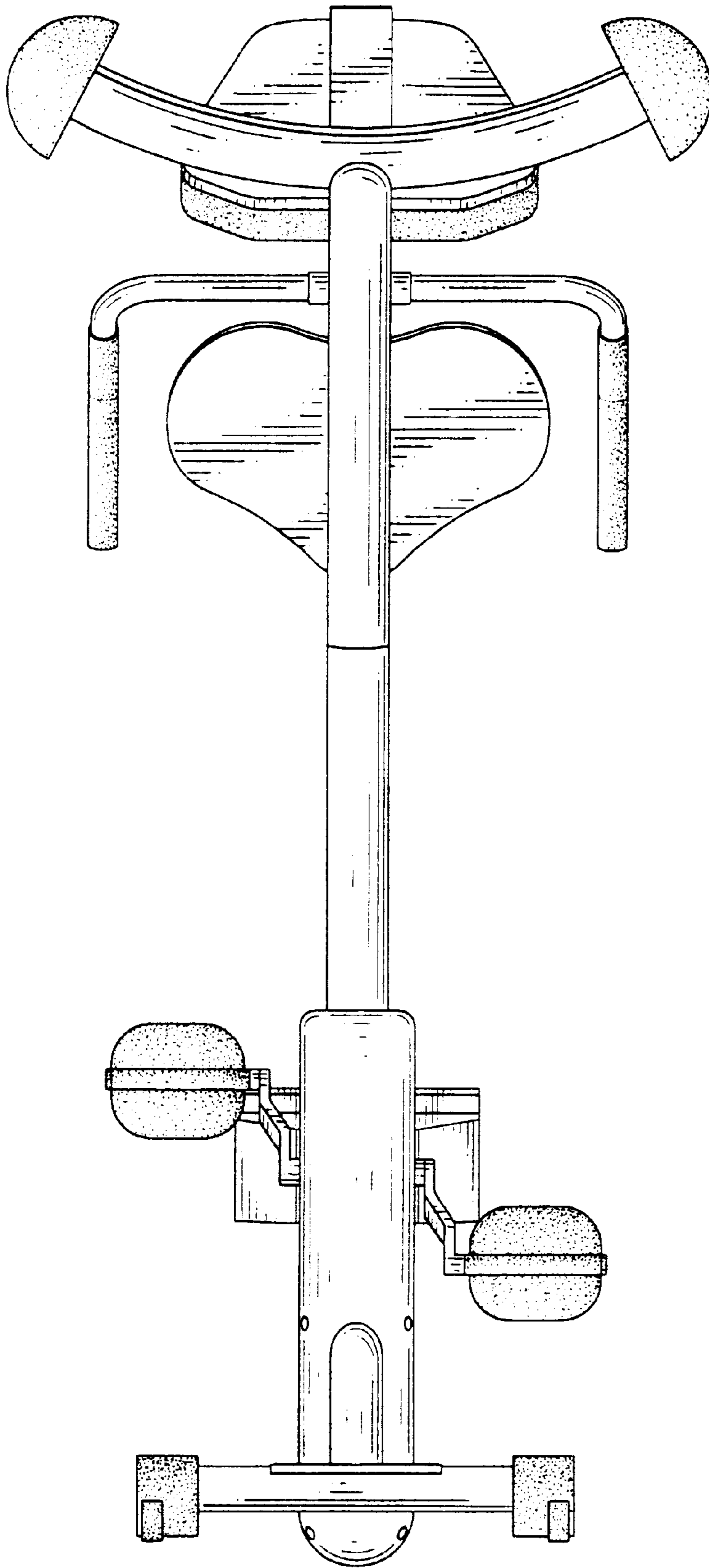


FIG. 7