



US00D461203S

(12) **United States Design Patent**
Nanjo et al.

(10) **Patent No.:** **US D461,203 S**

(45) **Date of Patent:** **** Aug. 6, 2002**

(54) **INK TANK FOR PRINTER**

(75) Inventors: **Tatsuo Nanjo; Nobuyuki Hatasa**, both of Kawasaki; **Hajime Yamamoto**, Yokohama, all of (JP)

(73) Assignee: **Canon Kabushiki Kaisha**, Tokyo (JP)

(**) Term: **14 Years**

(21) Appl. No.: **29/145,848**

(22) Filed: **Aug. 1, 2001**

(30) **Foreign Application Priority Data**

Feb. 8, 2001 (JP) 2001-002811

(51) **LOC (7) Cl.** **18-02**

(52) **U.S. Cl.** **D18/56; 347/86**

(58) **Field of Search** **D18/43, 56; 347/86, 347/87**

(56) **References Cited**

U.S. PATENT DOCUMENTS

D371,160 S	6/1996	Kotaki et al.	D18/56
D375,120 S	10/1996	Kotaki et al.	D18/56
D390,596 S	* 2/1998	Domhoff et al.	D18/56
D391,986 S	* 3/1998	Steinmetz et al.	D18/56
5,852,459 A	* 12/1998	Pawlowski, Jr. et al.	347/86
D410,248 S	* 5/1999	Gasvoda et al.	D18/56
D411,568 S	* 6/1999	Steinmetz et al.	D18/56
D415,790 S	* 10/1999	Hmelar et al.	D18/56
D416,573 S	* 11/1999	Hmelar et al.	D18/56
D417,233 S	* 11/1999	Sabonis	D18/56
6,017,118 A	* 1/2000	Gasvoda et al.	347/86

D421,270 S	* 2/2000	Yamaguchi	D18/56
D422,306 S	* 4/2000	Gasvoda et al.	D18/56
D424,611 S	* 5/2000	Gasvoda et al.	D18/56
D425,553 S	* 5/2000	Gasvoda et al.	D18/56
D425,554 S	* 5/2000	Gasvoda et al.	D18/56
6,068,371 A	* 5/2000	Wallace et al.	347/86
D428,437 S	* 7/2000	Hmelar et al.	D18/56
D428,438 S	* 7/2000	Hmelar et al.	D18/56
D428,915 S	* 8/2000	Hmelar et al.	D18/56
6,116,723 A	* 9/2000	Childers	347/87
D437,610 S	* 2/2001	Gasvoda et al.	D18/56
D438,899 S	* 3/2001	Gasvoda et al.	D18/56
D444,497 S	* 7/2001	Gasvoda et al.	D18/56

* cited by examiner

Primary Examiner—Cathy Anne MacCormac

(74) *Attorney, Agent, or Firm*—Fitzpatrick, Cella, Harper & Scinto

(57) **CLAIM**

The ornamental design for an ink tank for printer, as shown and described.

DESCRIPTION

FIG. 1 is a front view of an ink tank for printer showing our new design;
FIG. 2 is a rear view thereof;
FIG. 3 is a top plan view thereof;
FIG. 4 is a bottom plan view thereof;
FIG. 5 is a left side view thereof;
FIG. 6 is a right side view thereof; and,
FIG. 7 is a perspective view thereof.

1 Claim, 5 Drawing Sheets

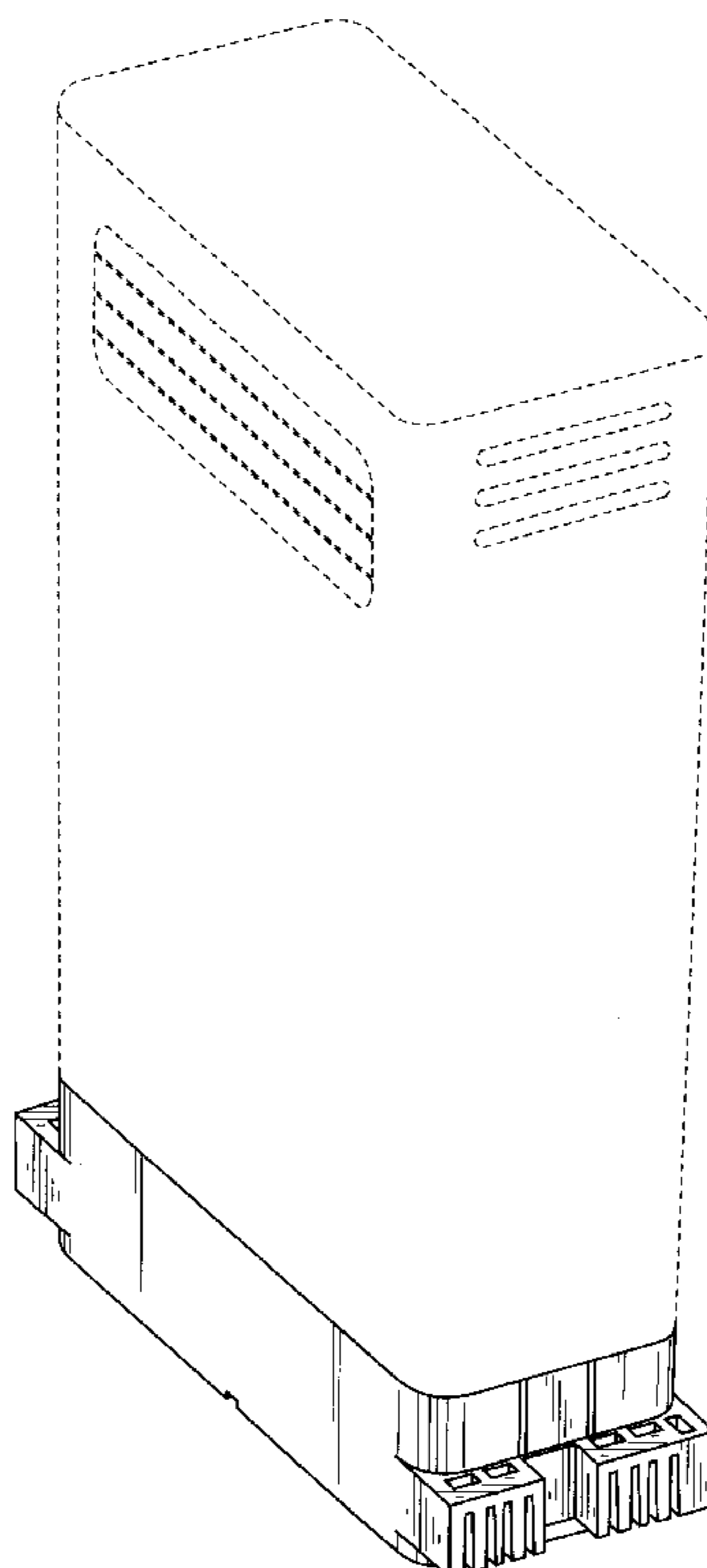


FIG. 1

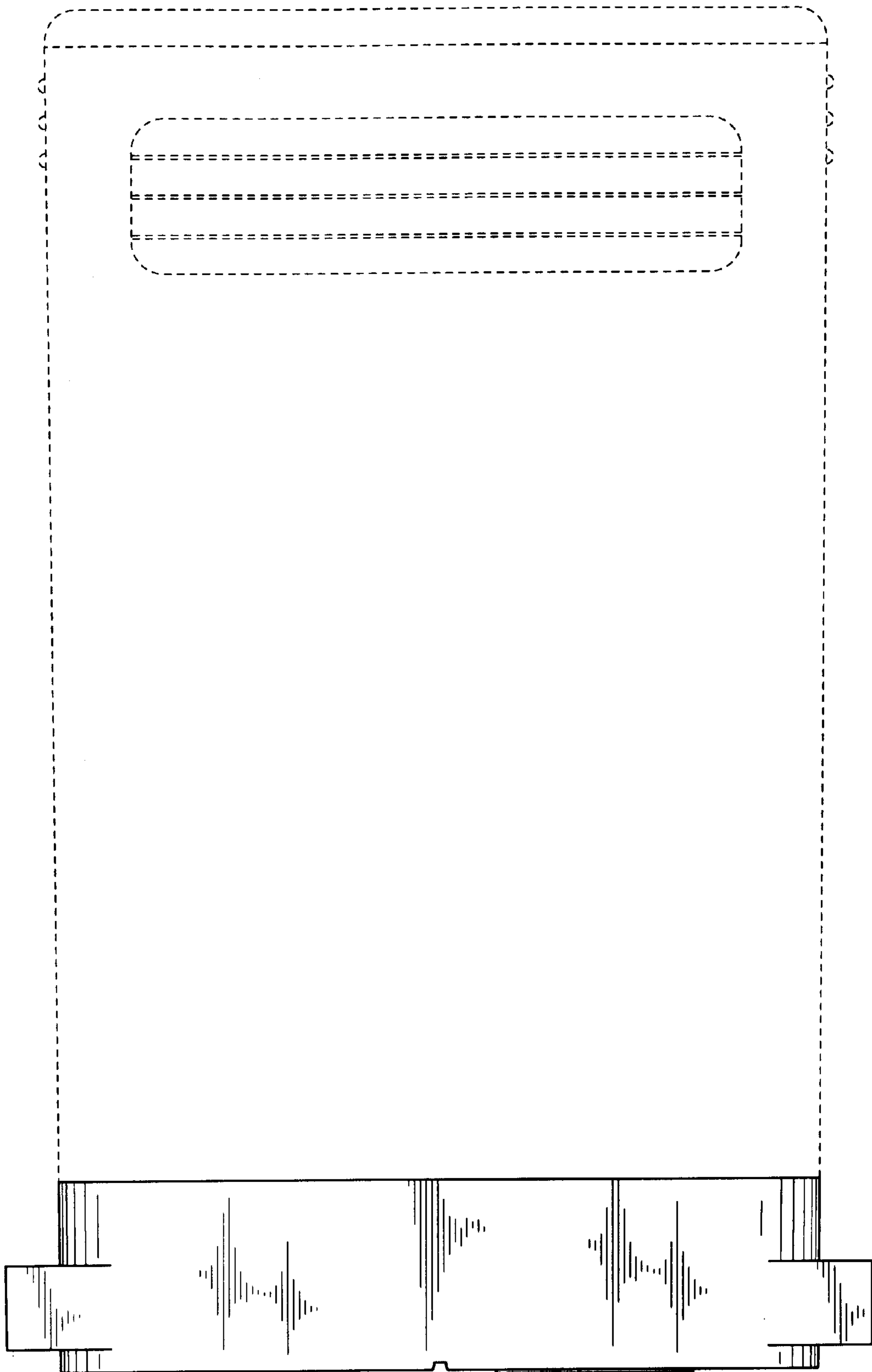


FIG. 2

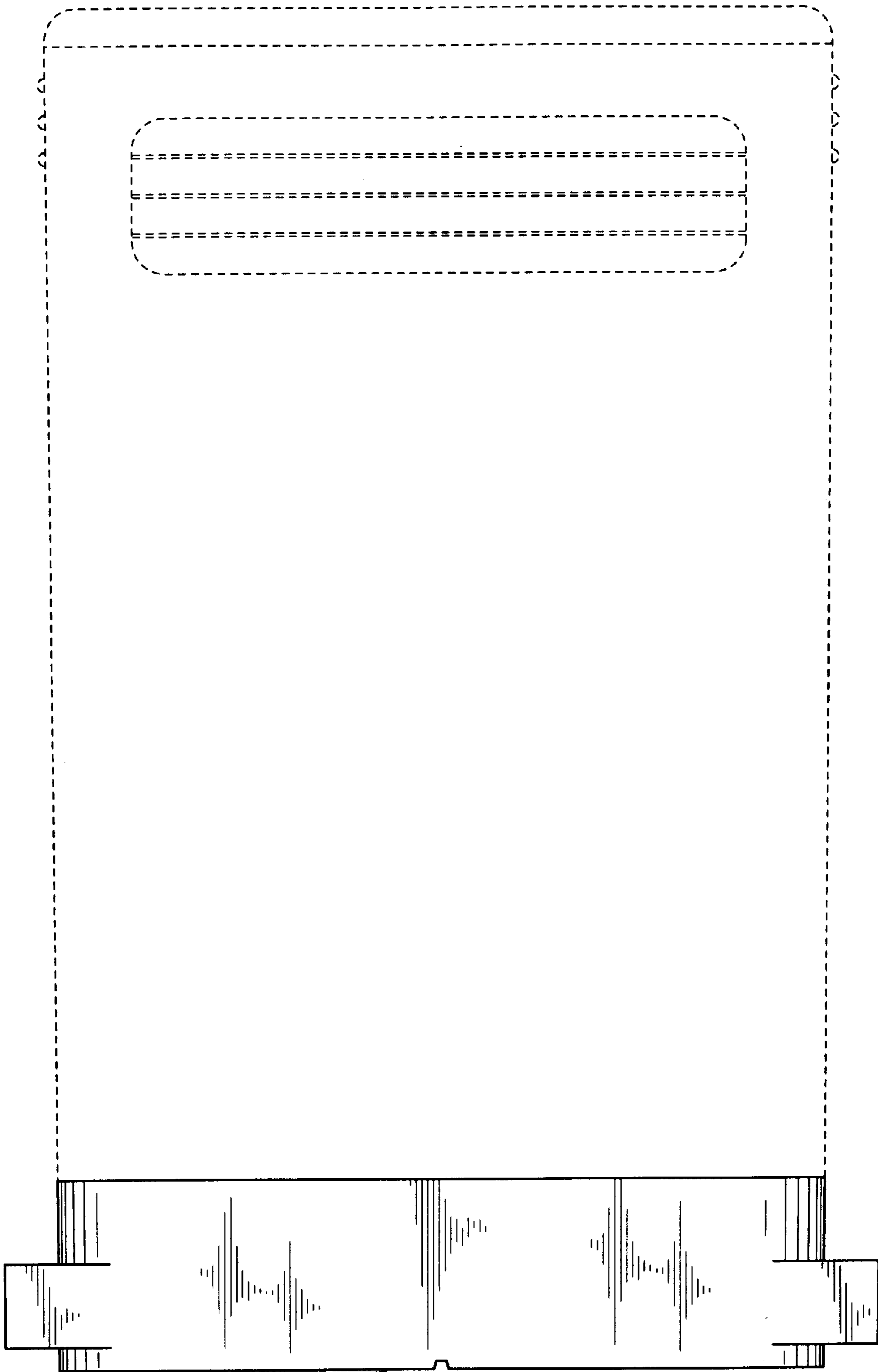


FIG. 3



FIG. 4

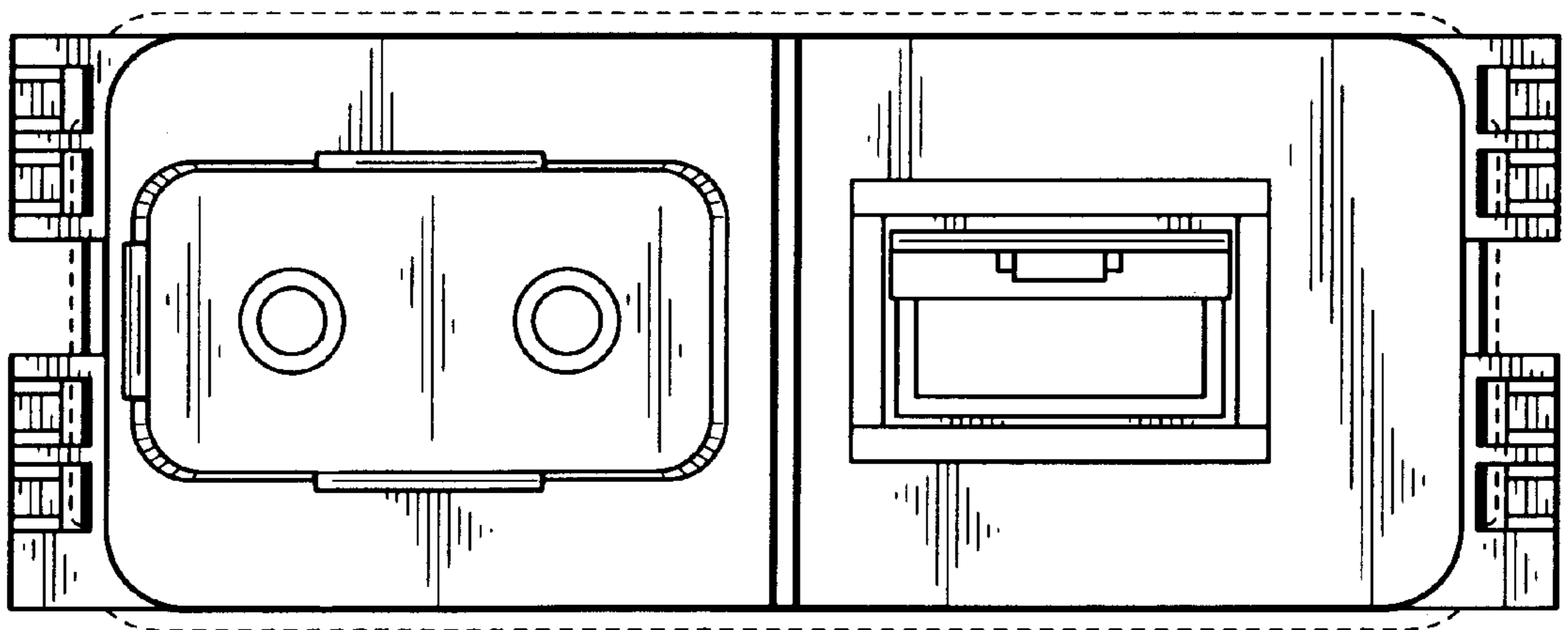


FIG. 5

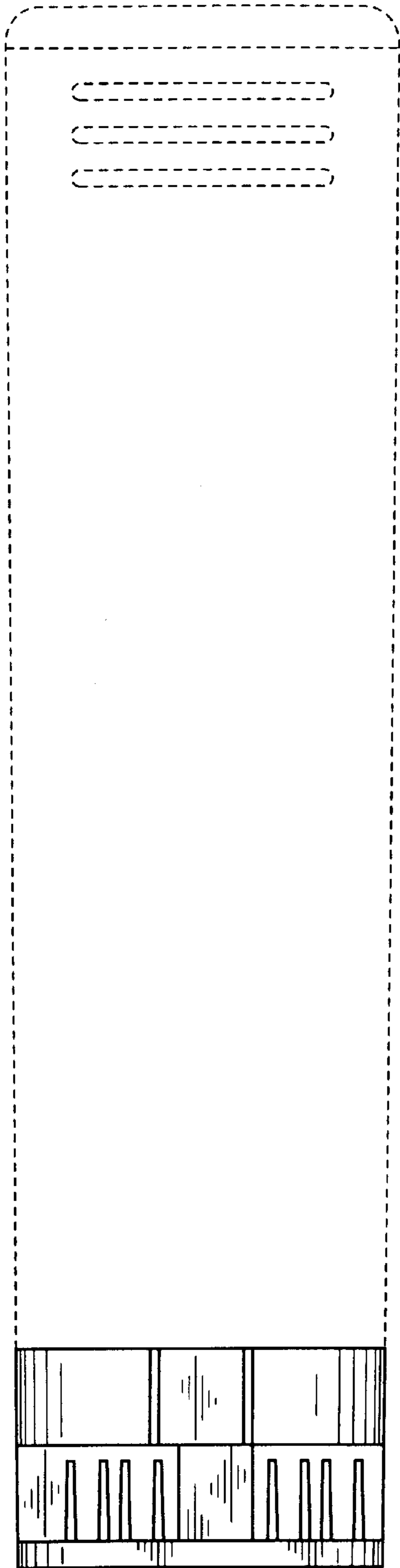


FIG. 6

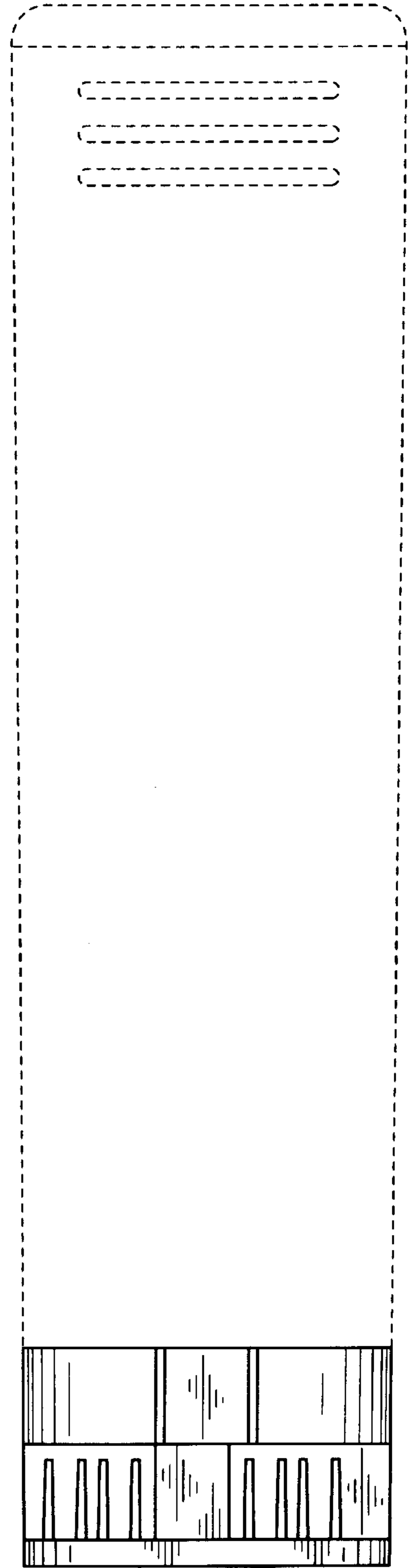


FIG. 7

